



US00D709592S

(12) **United States Design Patent**
Bertuccelli et al.

(10) **Patent No.:** **US D709,592 S**
(45) **Date of Patent:** **** Jul. 22, 2014**

(54) **FILTER HOUSING FOR A WATER
FILTRATION PITCHER**

FOREIGN PATENT DOCUMENTS

(71) Applicant: **CamelBak Products, LLC**, Petaluma,
CA (US)

EP 0773172 5/1997
JP 9-165060 6/1997

(Continued)

(72) Inventors: **Randal Joseph Bertuccelli**, Mt. Aukum,
CA (US); **David Lawrence Carr**, Napa,
CA (US); **Leonard John Duran**, San
Francisco, CA (US); **Brian John
Mifsud**, Petaluma, CA (US)

OTHER PUBLICATIONS

English-language abstract of European Patent No. 0773172, Euro-
pean Patent Office, May 14, 1997.

(Continued)

(73) Assignee: **CamelBak Products, LLC**, Petaluma,
CA (US)

Primary Examiner — Marianne Pandozzi

(74) *Attorney, Agent, or Firm* — DASCENZO Intellectual
Property Law, P.C.

(**) Term: **14 Years**

(57) **CLAIM**

(21) Appl. No.: **29/445,089**

The ornamental design for a filter housing for a water filtra-
tion pitcher, as shown and described.

(22) Filed: **Feb. 7, 2013**

DESCRIPTION

(51) **LOC (10) Cl.** **23-01**

(52) **U.S. Cl.**
USPC **D23/209; D7/397**

(58) **Field of Classification Search**
USPC D7/553.4, 553.5, 400, 397; 210/237,
210/238, 181, 87, 137; D23/207, 209;
D32/31; 220/574, 575

See application file for complete search history.

FIG. 1 is a front top perspective view of the new design.
FIG. 2 is a rear top perspective view of the new design.
FIG. 3 is a front bottom perspective view of the new design.
FIG. 4 is a rear bottom perspective of the new design.
FIG. 5 is a right side view of the new design.
FIG. 6 is a left side view of the new design.
FIG. 7 is a front view of the new design.
FIG. 8 is a rear view of the new design.
FIG. 9 is a top view of the new design; and,
FIG. 10 is a bottom view of the new design.

The broken lines shown in the drawings illustrate portions of
the filter housing that form no part of the claimed design. The
shading lines shown in the drawings represent the approxi-
mate three-dimensional contour of the claimed design and are
not intended to indicate surface decoration.

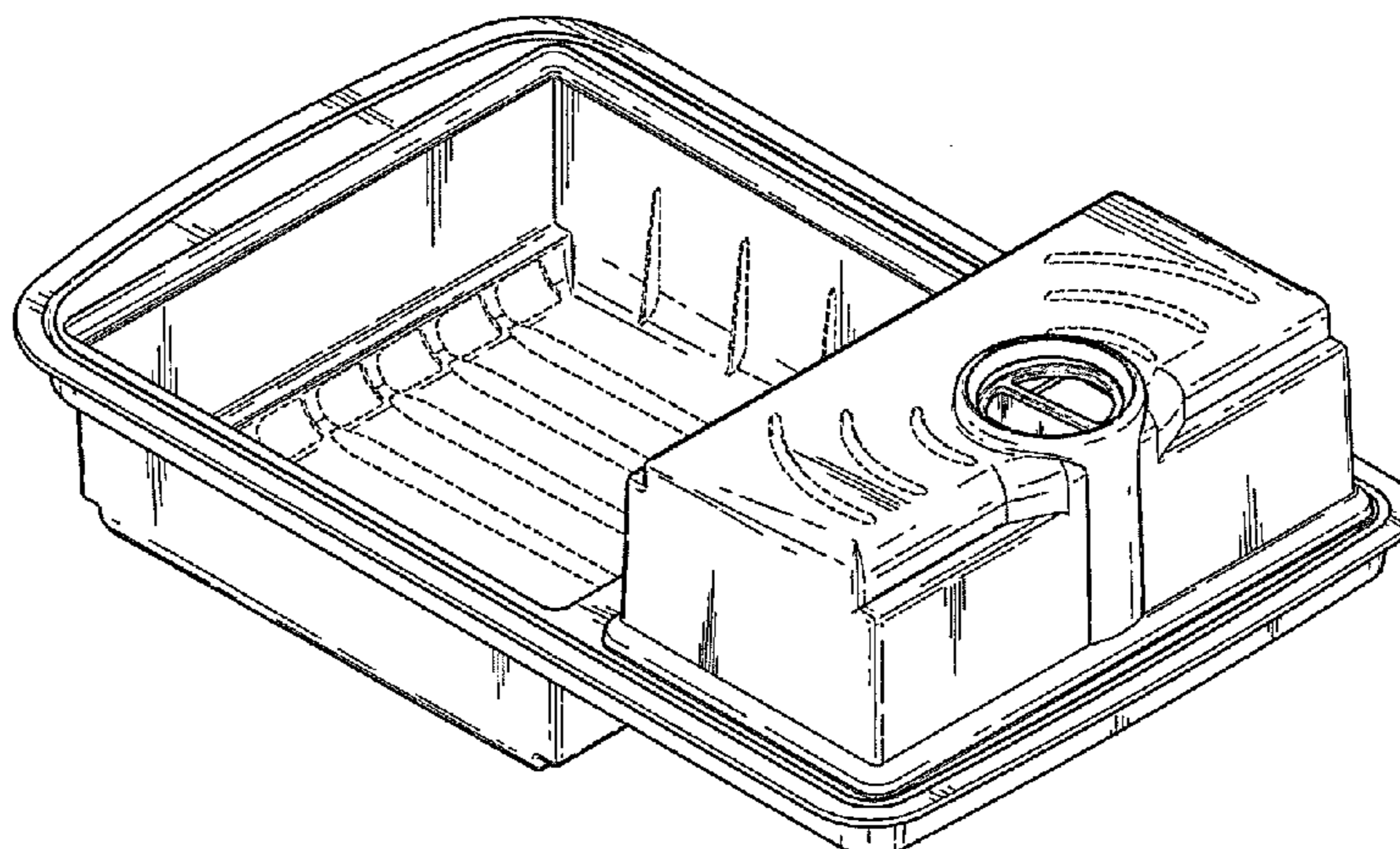
(56) **References Cited**

U.S. PATENT DOCUMENTS

1,754,713 A * 4/1930 Green 294/146
1,961,181 A 6/1934 Von Der Heydt
3,181,905 A 5/1965 Bisbing
3,392,837 A 7/1968 Sanzenbacher
3,490,805 A 1/1970 Di Pierro et al.

(Continued)

1 Claim, 4 Drawing Sheets



(56)

References Cited

U.S. PATENT DOCUMENTS

3,688,942 A 9/1972 Mitchell et al.
 3,851,754 A * 12/1974 Jones 206/549
 4,314,651 A 2/1982 Gaiser et al.
 D271,325 S * 11/1983 Gedye D23/209
 4,443,336 A 4/1984 Bennethum
 4,589,567 A 5/1986 Pircher
 4,605,499 A 8/1986 Wise
 4,609,125 A 9/1986 Willingham
 4,948,499 A 8/1990 Peranio
 4,999,109 A 3/1991 Sabre
 5,040,834 A 8/1991 Kahl et al.
 5,050,623 A 9/1991 Yuhara et al.
 5,065,885 A 11/1991 Scaroni
 5,167,819 A 12/1992 Iana et al.
 5,186,830 A 2/1993 Rait
 5,275,307 A 1/1994 Freese
 5,415,774 A 5/1995 Cowan et al.
 D366,418 S 1/1996 Lown et al.
 5,641,065 A 6/1997 Owens et al.
 D386,943 S * 12/1997 Demore et al. D7/397
 5,810,188 A 9/1998 Novakoski et al.
 5,846,418 A 12/1998 Thompson et al.
 5,914,045 A 6/1999 Palmer et al.
 6,013,180 A 1/2000 Wang
 D429,964 S * 8/2000 Miller et al. D7/553.4
 6,117,319 A 9/2000 Cranshaw
 D437,027 S * 1/2001 Flagler et al. D23/209
 D445,293 S 7/2001 Lillelund et al.
 6,253,947 B1 7/2001 Yang
 6,344,146 B1 2/2002 Moorehead et al.
 D455,606 S * 4/2002 Lee D7/395
 D459,941 S 7/2002 Miller
 6,415,947 B1 7/2002 Kim
 6,454,941 B1 9/2002 Cutler et al.
 D469,011 S 1/2003 Miller
 6,524,477 B1 2/2003 Hughes
 6,569,329 B1 5/2003 Nohren, Jr.
 D481,910 S 11/2003 Kim
 6,733,669 B1 5/2004 Crick
 D495,925 S 9/2004 Ulanski et al.
 6,789,692 B2 9/2004 Prezelin

6,793,096 B1 9/2004 Seok
 6,805,795 B2 10/2004 Hawkins et al.
 D500,227 S 12/2004 Seok
 7,080,754 B2 7/2006 Lown
 D526,839 S 8/2006 Boozer et al.
 7,090,089 B2 8/2006 Lown et al.
 7,243,816 B2 7/2007 Aochi
 D567,584 S 4/2008 Boozer et al.
 7,427,355 B2 9/2008 Chau
 7,507,338 B2 3/2009 Bommi et al.
 7,513,278 B2 4/2009 Hengesperger et al.
 D592,454 S 5/2009 Boozer et al.
 7,585,409 B2 9/2009 Bommi et al.
 7,753,223 B2 7/2010 Boozer et al.
 D623,893 S 9/2010 Smyers
 7,854,344 B2 12/2010 Suk
 8,038,025 B2 10/2011 Stark et al.
 2002/0060177 A1 5/2002 Conrad
 2006/0226064 A1 10/2006 Beckman et al.
 2009/0001011 A1 1/2009 Knipmeyer et al.
 2011/0073551 A1 3/2011 Reid et al.

FOREIGN PATENT DOCUMENTS

JP 9-301396 11/1997
 JP 9-301397 11/1997
 JP 2001-114319 4/2001
 JP 2004-244111 9/2004
 WO WO 00/09240 2/2000

OTHER PUBLICATIONS

English-language abstract of Japanese Patent No. 9-165060, European Patent Office, Jun. 24, 1997.
 English-language abstract of Japanese Patent No. 9-301396, European Patent Office, Nov. 25, 1997.
 English-language abstract of Japanese Patent No. 9-301397, European Patent Office, Nov. 25, 1997.
 English-language abstract of Japanese Patent No. 2001-114319, European Patent Office, Apr. 24, 2001.
 English-language abstract of Japanese Patent No. 2004-244111, European Patent Office, Sep. 2, 2004.

* cited by examiner

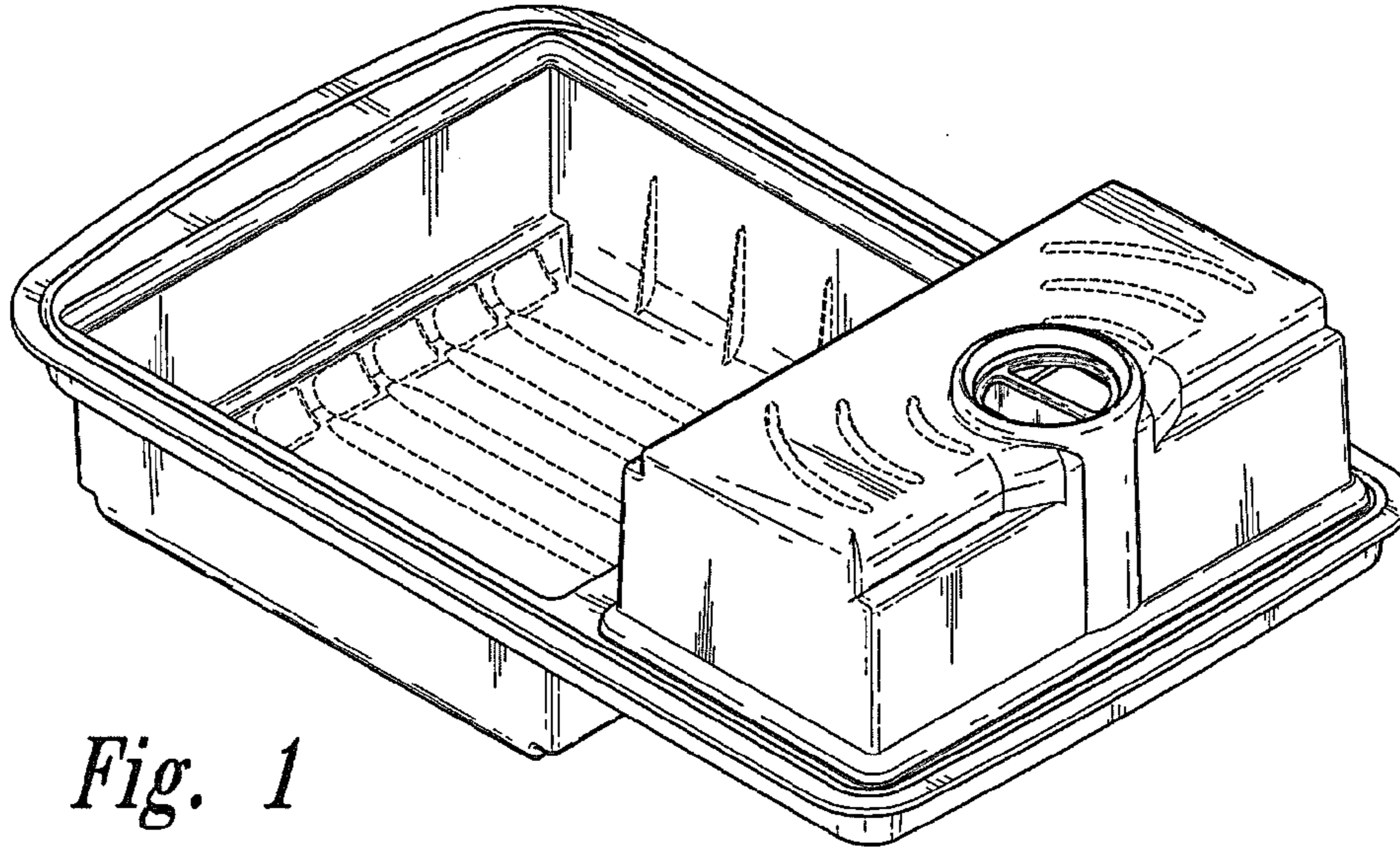


Fig. 1

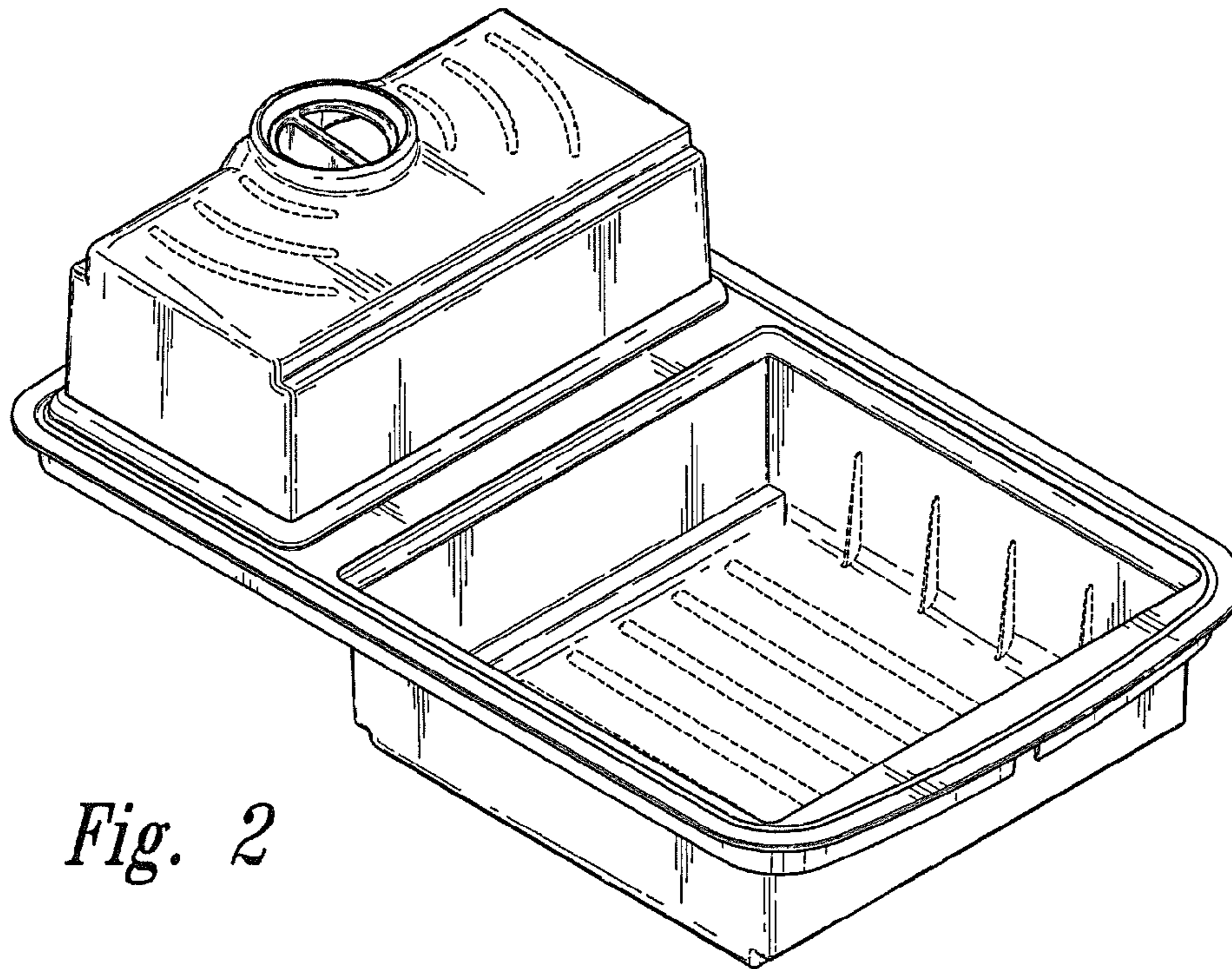


Fig. 2

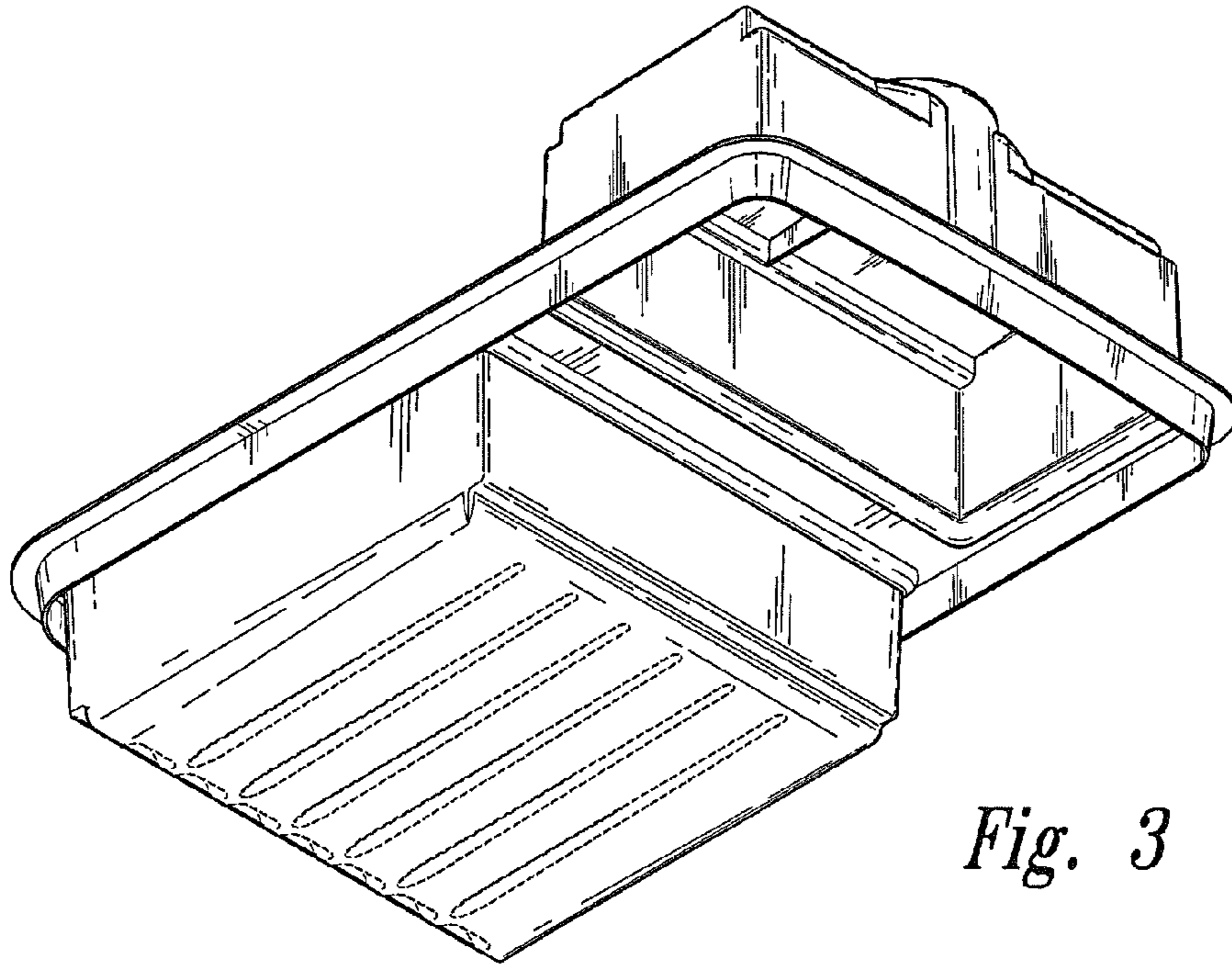


Fig. 3

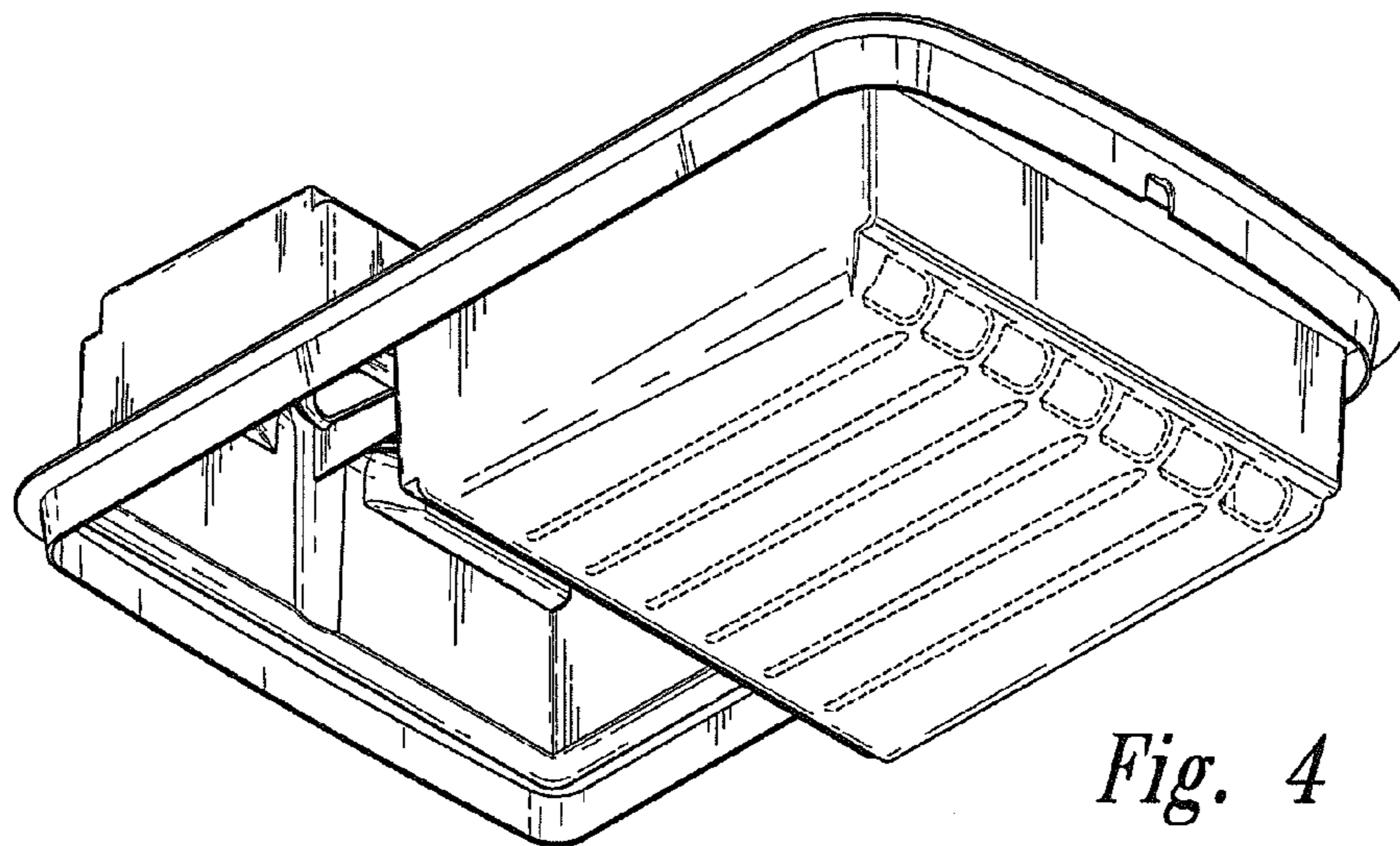


Fig. 4

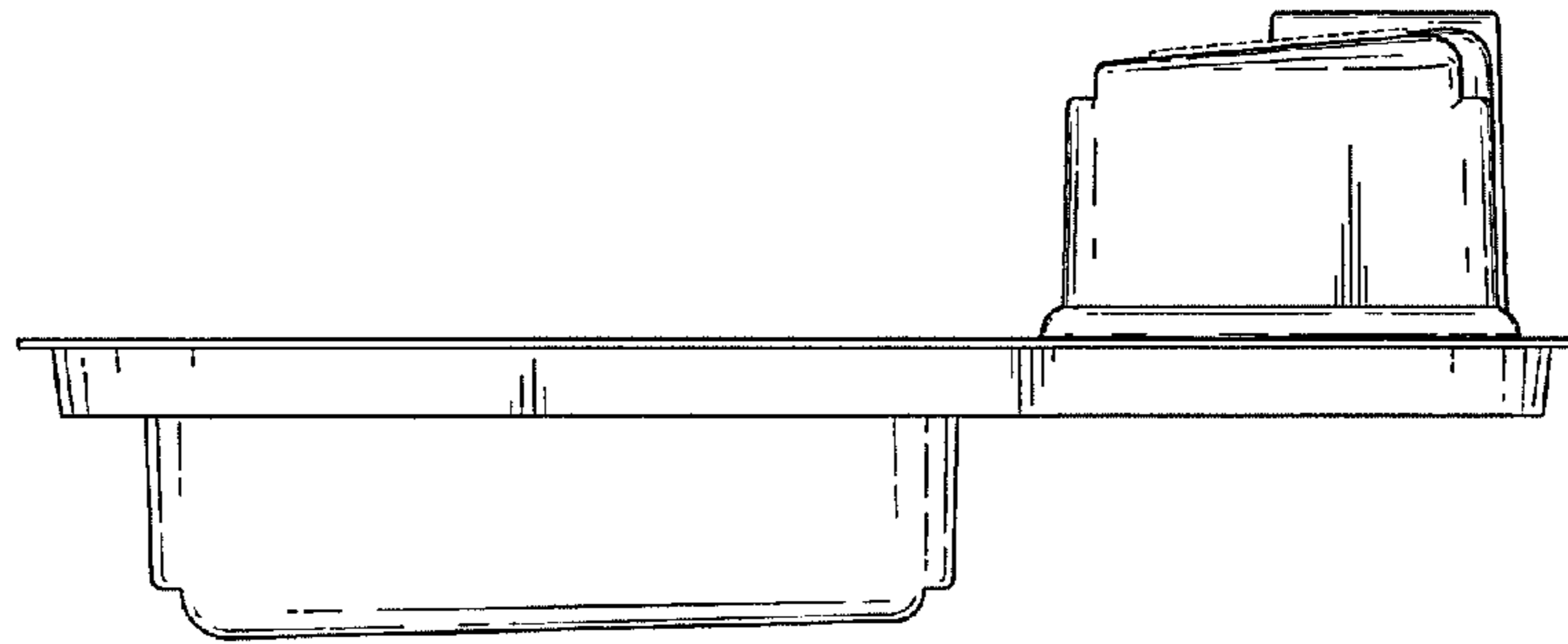


Fig. 5

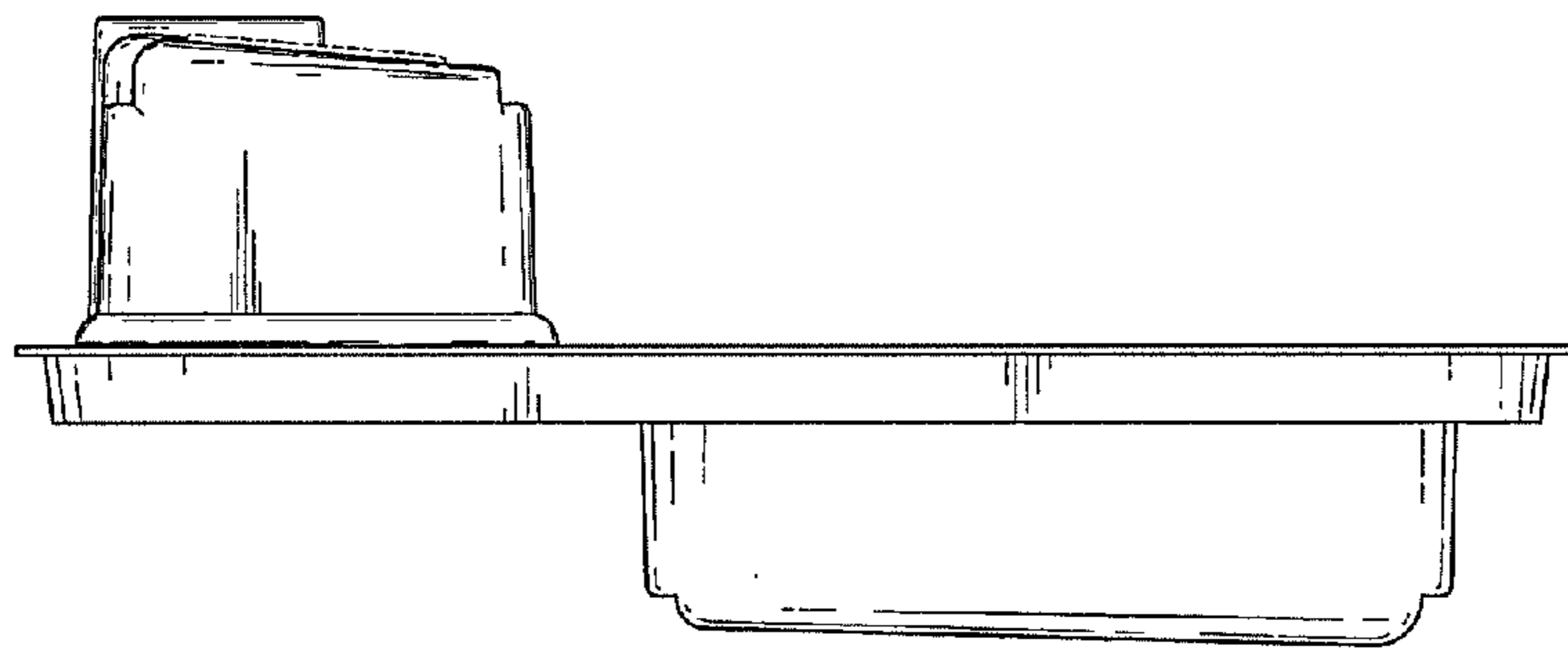


Fig. 6

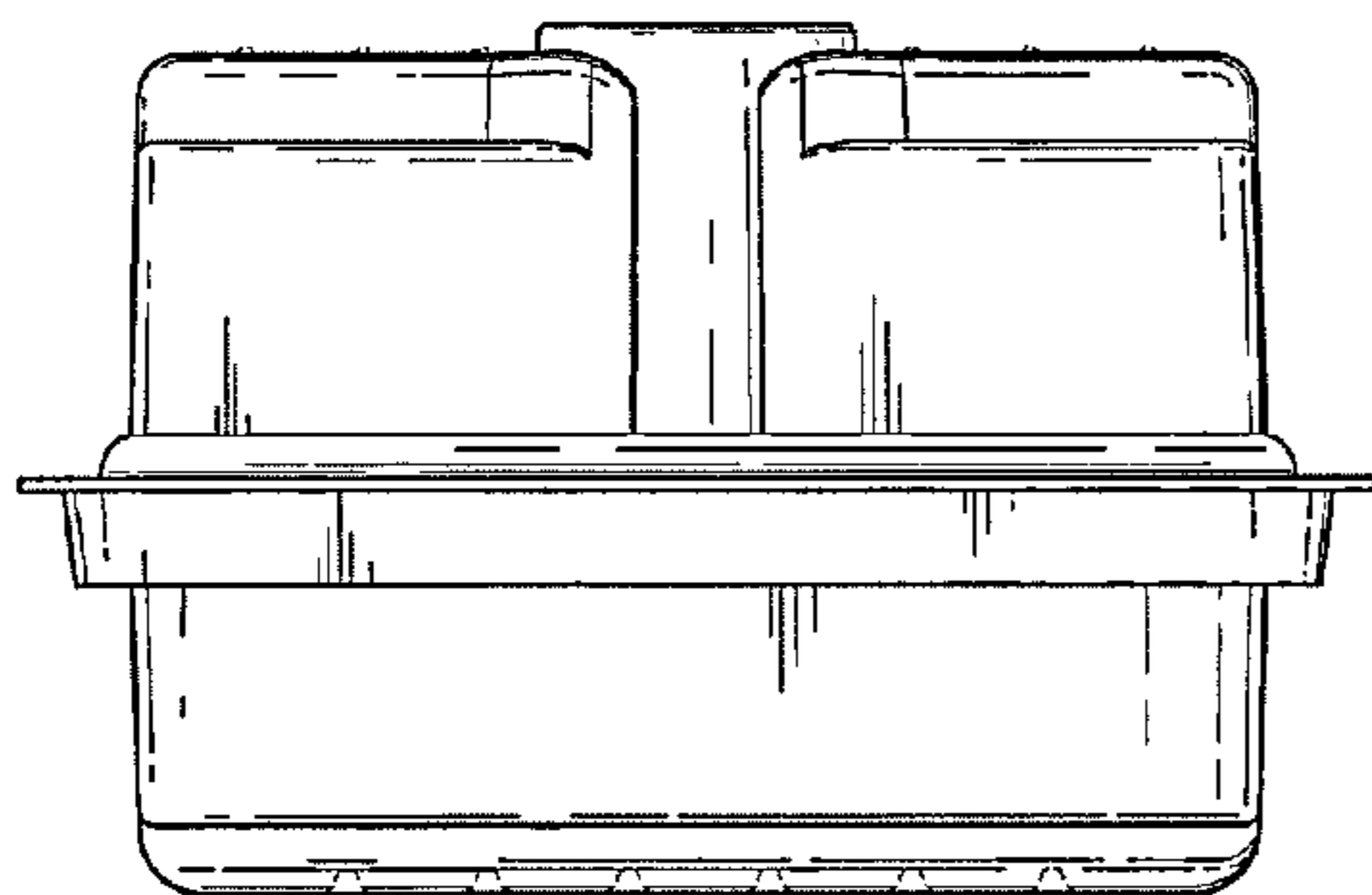


Fig. 7

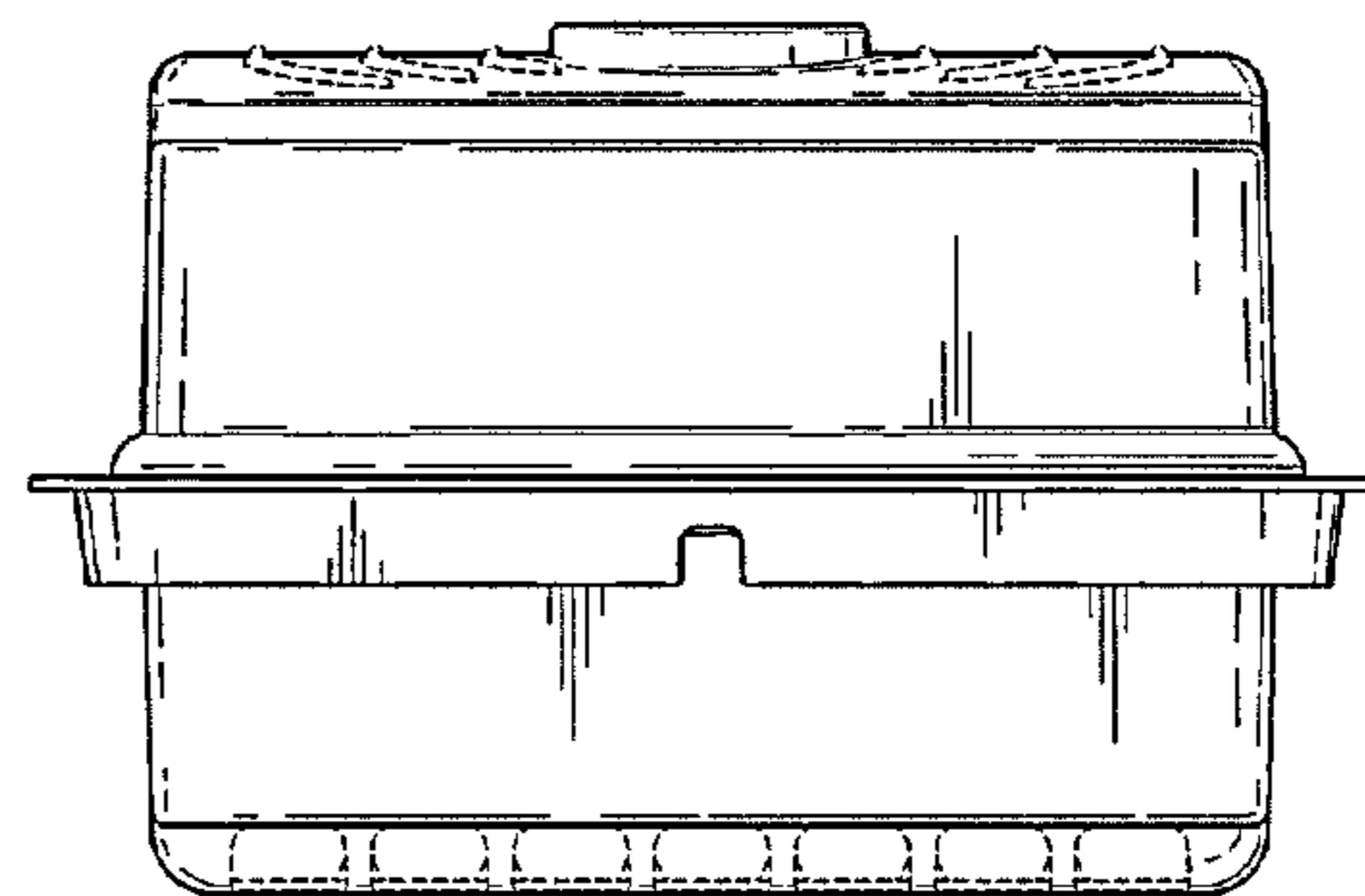


Fig. 8

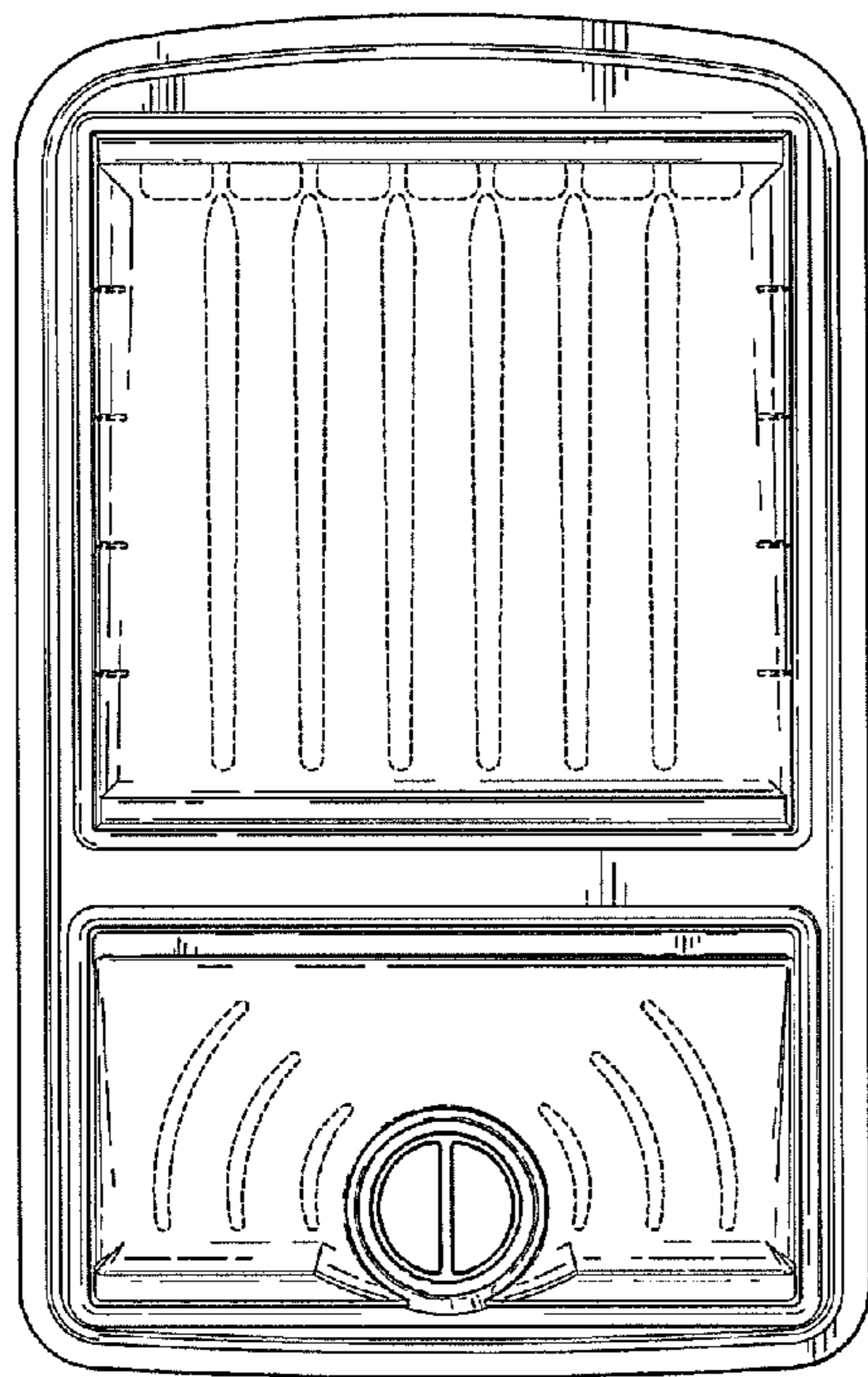


Fig. 9

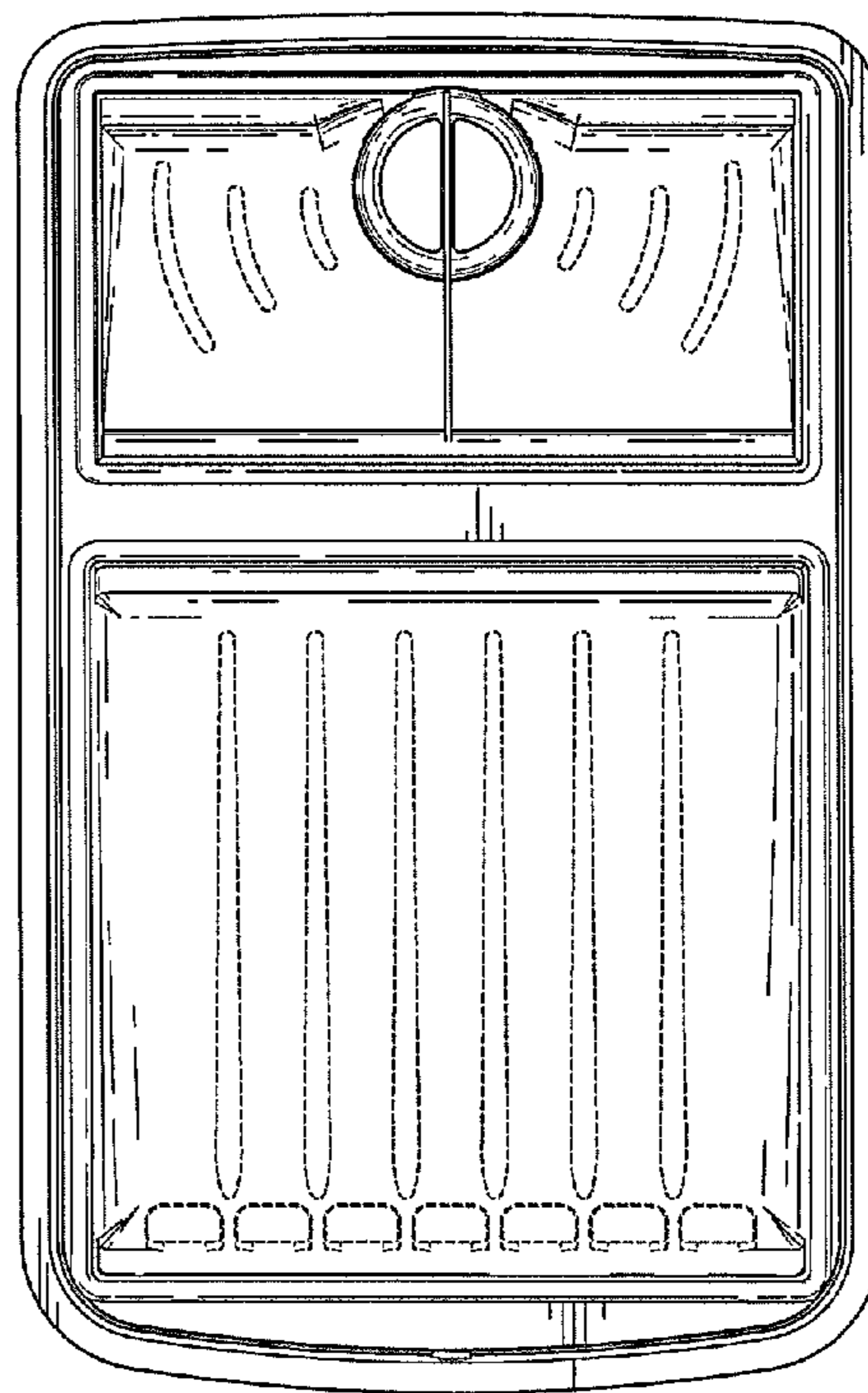


Fig. 10