



US00D709589S

(12) **United States Design Patent**
Zebny

(10) **Patent No.:** **US D709,589 S**
(45) **Date of Patent:** **** Jul. 22, 2014**

(54) **FISHING LURE ENCLOSURE**
(71) Applicant: **Norbert J. Zebny**, Cape Coral, FL (US)
(72) Inventor: **Norbert J. Zebny**, Cape Coral, FL (US)
(**) Term: **14 Years**

(21) Appl. No.: **29/470,616**
(22) Filed: **Oct. 23, 2013**
(51) **LOC (10) Cl.** **22-05**
(52) **U.S. Cl.**
USPC **D22/134; D22/139; D3/260**
(58) **Field of Classification Search**
USPC D22/134, 139; D3/260, 294, 905;
43/25.2, 25, 26, 54.1, 57.1; 206/315.11
See application file for complete search history.

(56) **References Cited**

U.S. PATENT DOCUMENTS

4,216,604	A *	8/1980	Starke	43/25.2
4,597,216	A	7/1986	Bjorshol		
4,879,832	A	11/1989	Nelson		
5,235,775	A	8/1993	Daughtry		
5,371,968	A	12/1994	Casey		
5,475,942	A *	12/1995	Tatum	43/25.2
5,533,297	A	7/1996	Crosby		
D373,614	S *	9/1996	Bevill	D22/139
5,588,245	A	12/1996	Vance		
D399,912	S *	10/1998	Kopp, III	D22/126
D405,499	S *	2/1999	Beauvais	D22/139
6,082,041	A	7/2000	Croop et al.		
6,085,455	A *	7/2000	Bracken et al.	43/25.2

D475,432	S *	6/2003	LaLande	D22/126
6,606,814	B1 *	8/2003	Weaver	43/25.2
7,299,582	B1 *	11/2007	Whitehead	43/25.2
D586,876	S *	2/2009	Kern	D22/134
7,587,855	B2 *	9/2009	Konopa	43/25.2
7,703,234	B2 *	4/2010	Dodge	43/25.2
D620,254	S *	7/2010	Noraker	D3/260
D663,378	S *	7/2012	Osman	D22/134

* cited by examiner

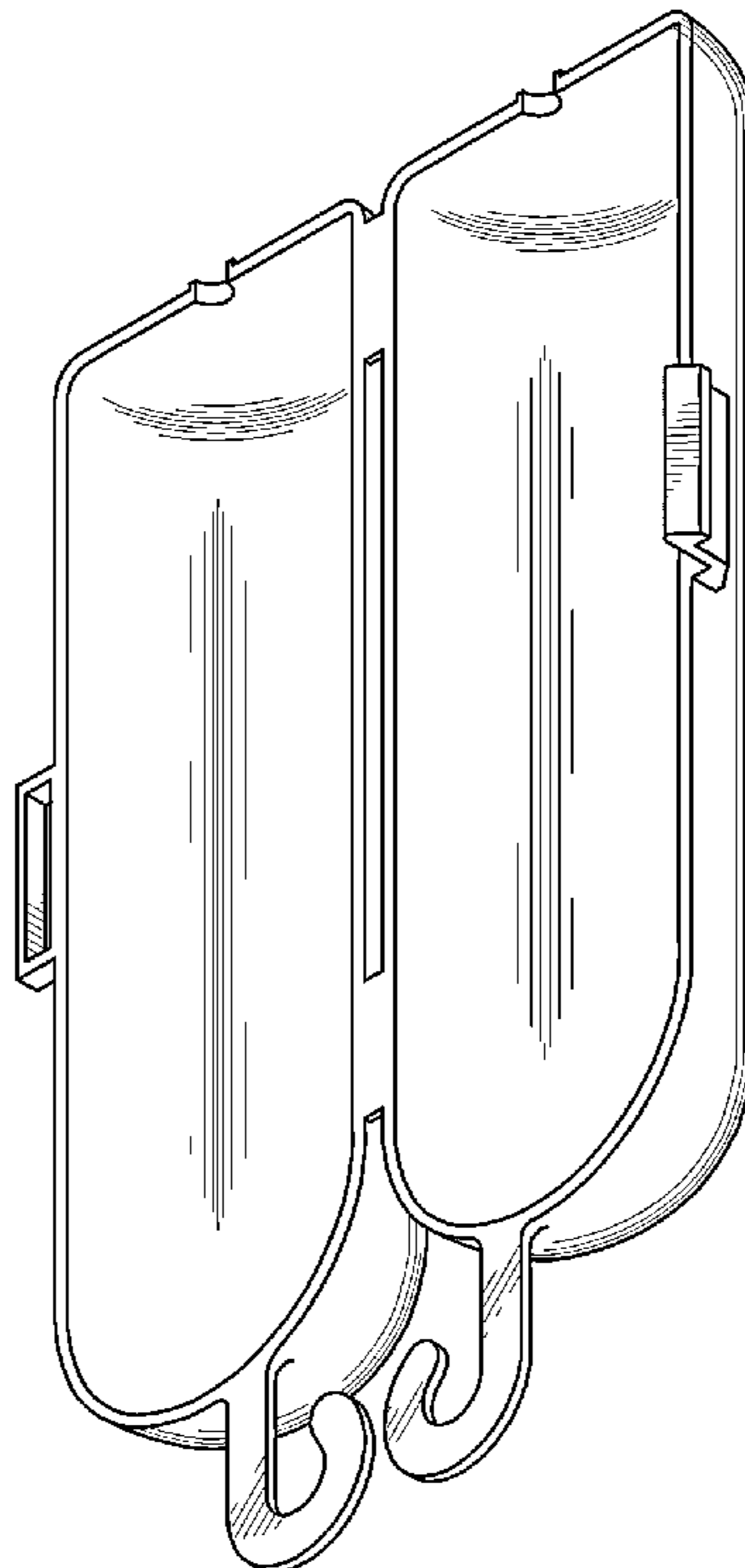
Primary Examiner — Catheri Oliver-Garcia
(74) *Attorney, Agent, or Firm* — William E. Noonan

(57) **CLAIM**
The ornamental design for a fishing lure enclosure, as shown.

DESCRIPTION

FIG. 1 is a perspective view of a fishing lure enclosure in an open condition;
FIG. 2 is a right side elevational view of the fishing lure enclosure in a closed condition;
FIG. 3 is a left side elevational view of the fishing lure enclosure in the closed condition;
FIG. 4 is a rear elevational view of the fishing lure enclosure in the closed condition;
FIG. 5 is a front elevational view of the fishing lure enclosure in the closed condition;
FIG. 6 is a bottom plan view of the fishing lure enclosure in the closed condition; and,
FIG. 7 is a top plan view of the fishing lure enclosure in the closed condition.

1 Claim, 4 Drawing Sheets



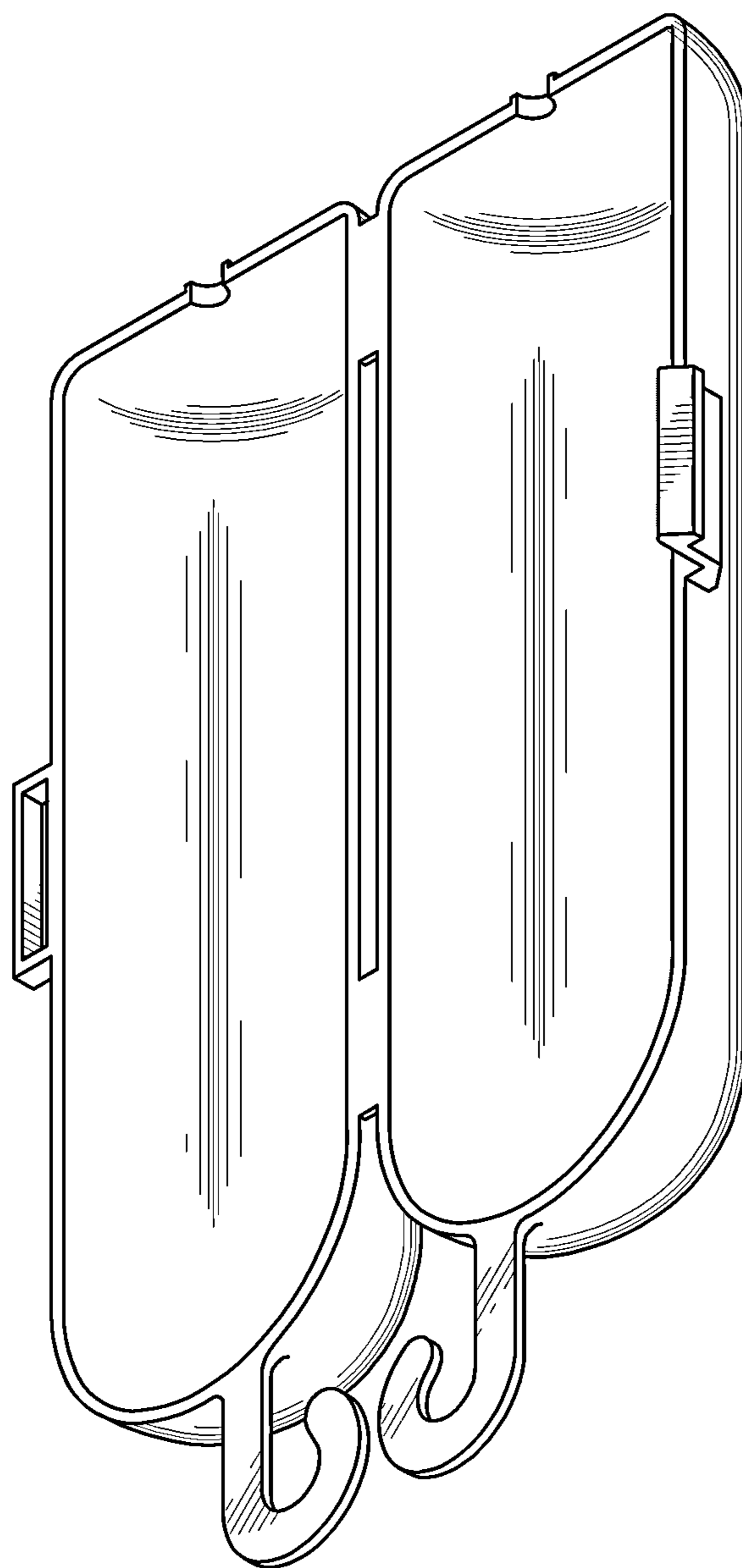


Fig. 1

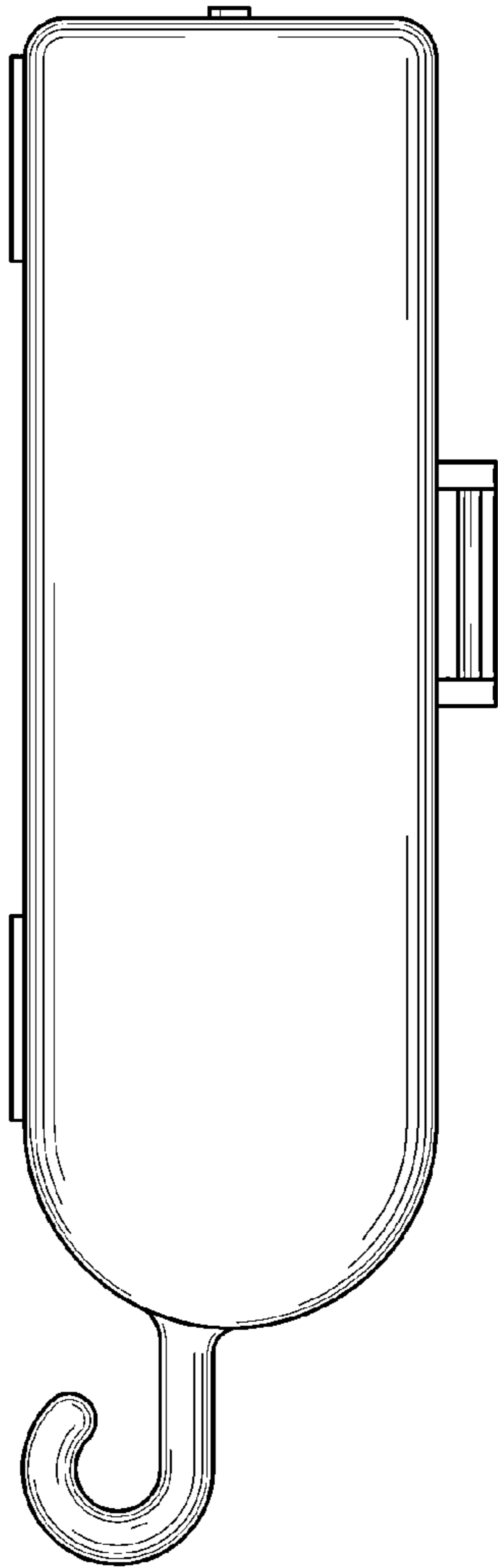


Fig. 2

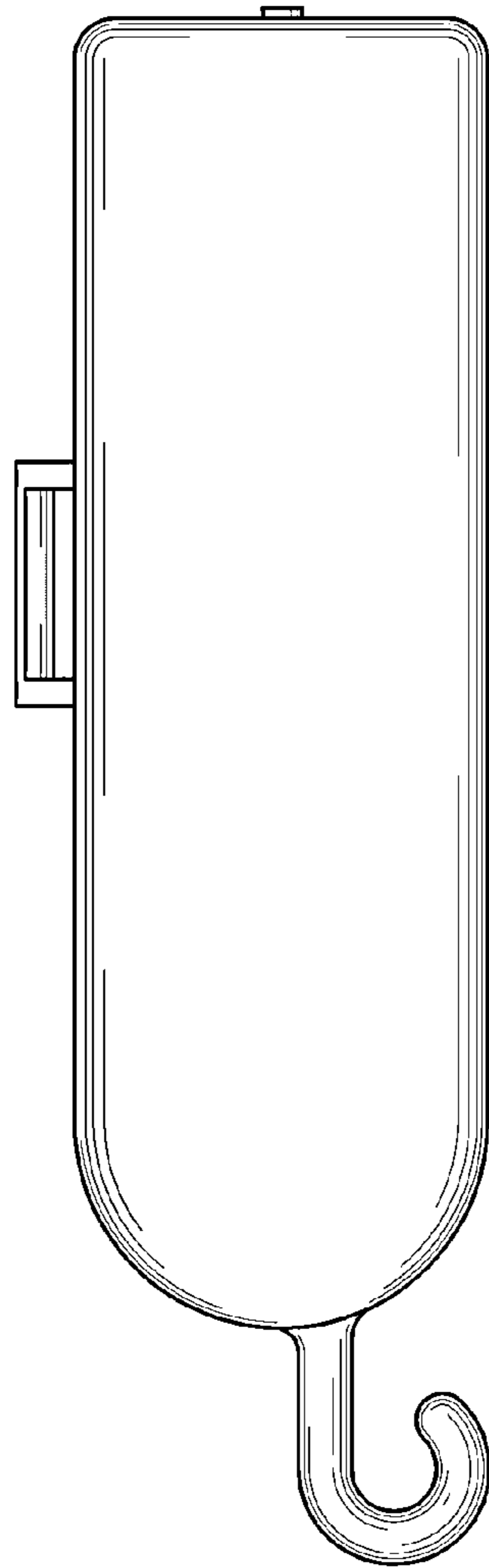


Fig. 3

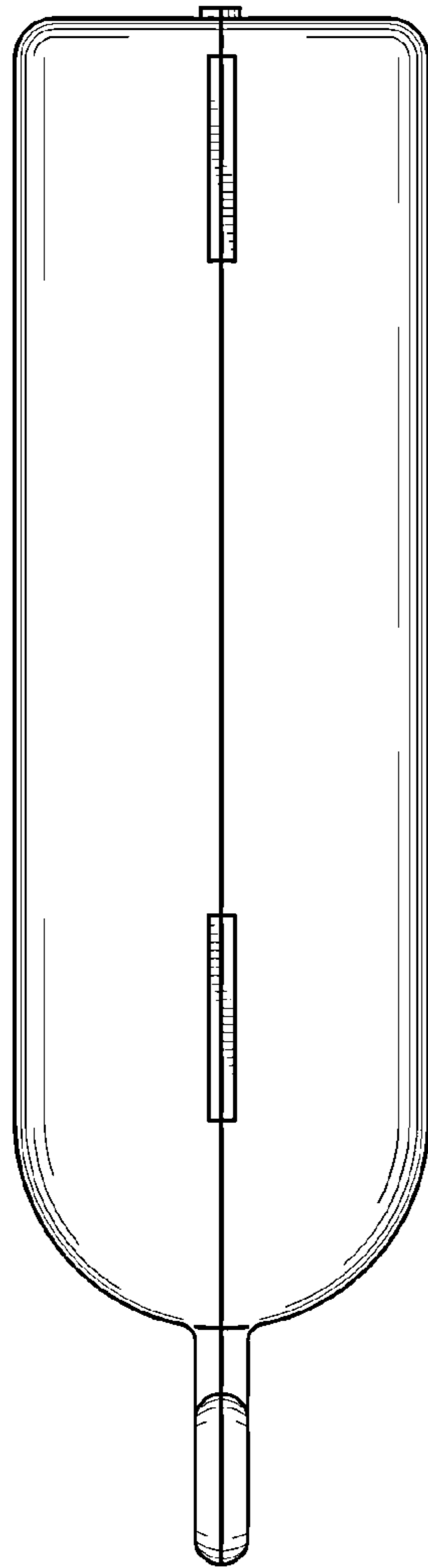


Fig. 4

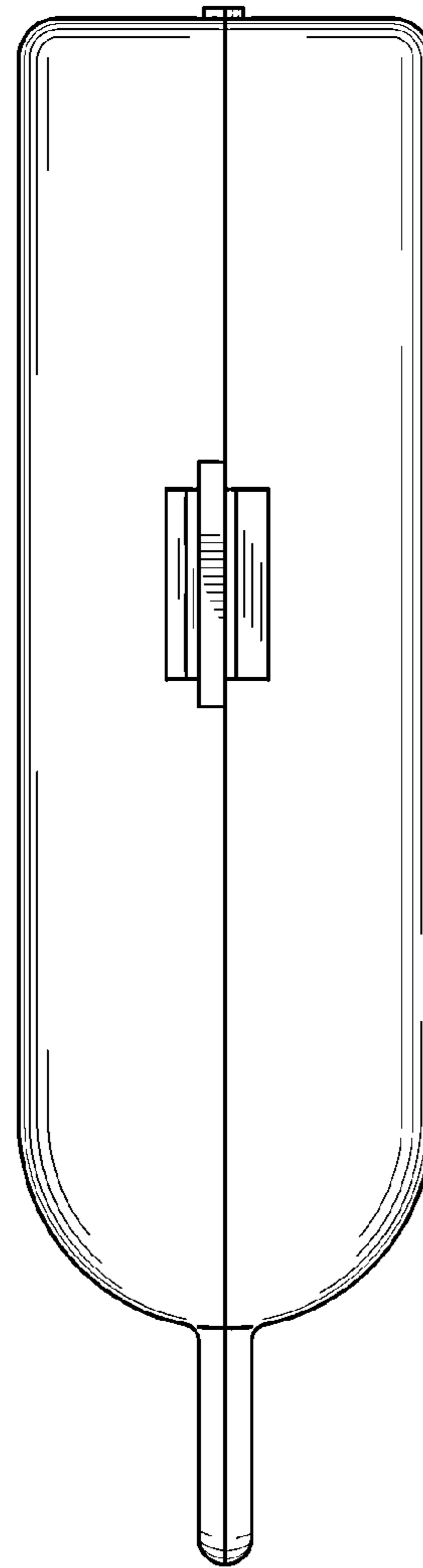


Fig. 5

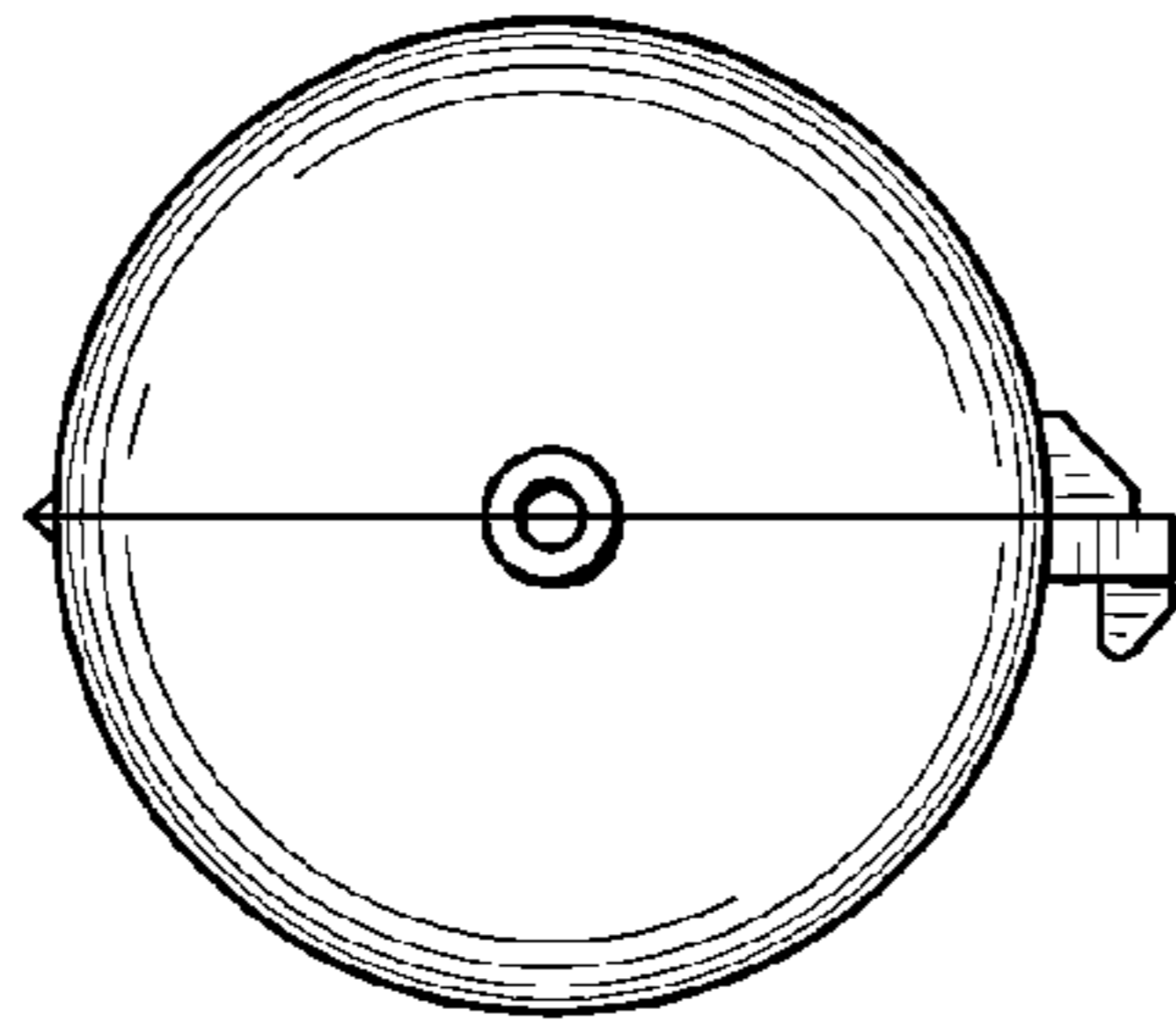


Fig. 6

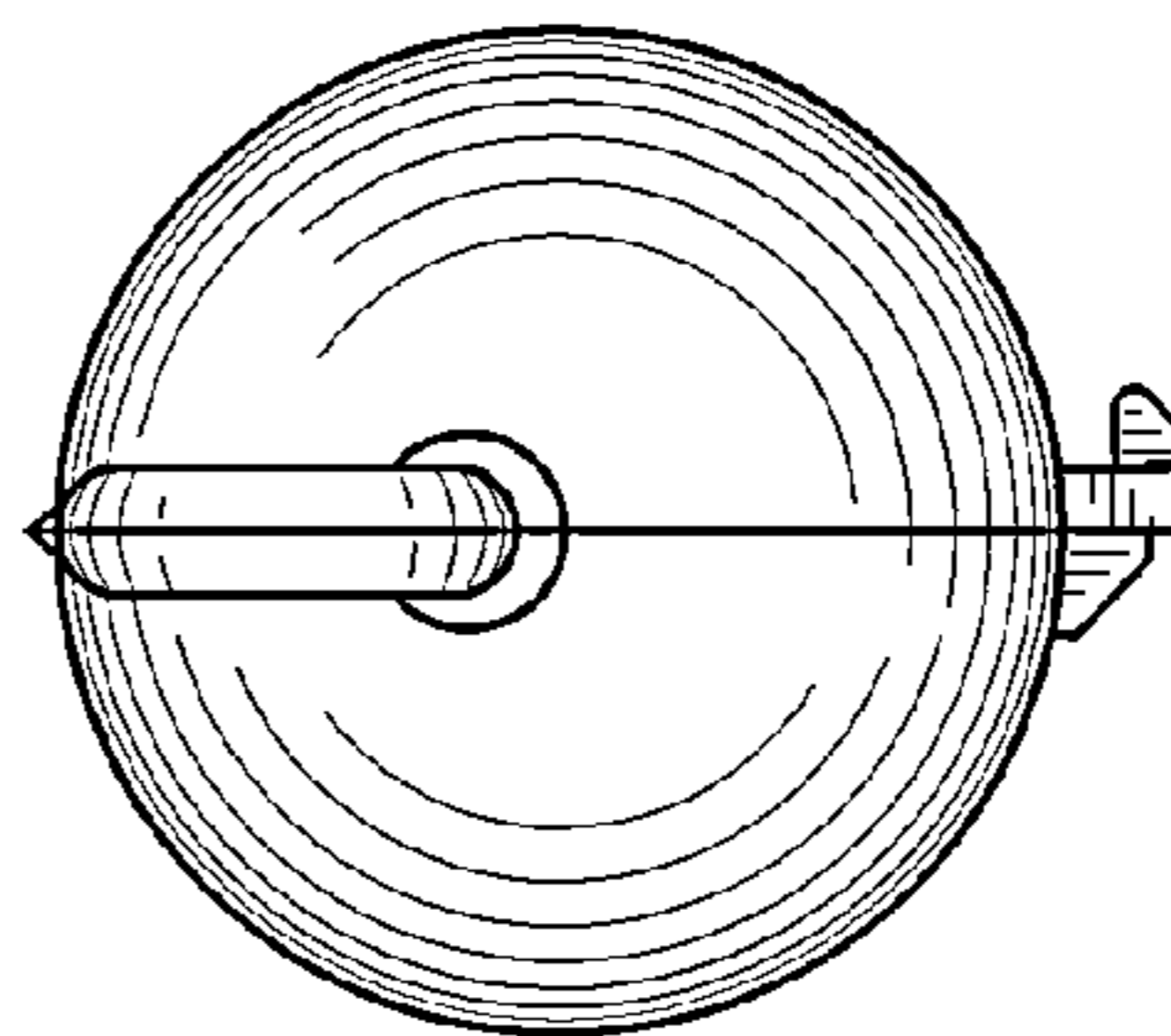


Fig. 7