



US00D709587S

(12) **United States Design Patent**
Vreeland

(10) **Patent No.:** **US D709,587 S**
(45) **Date of Patent:** **** Jul. 22, 2014**

(54) **FIREARM GRIP**

(71) Applicant: **Jason Vreeland**, Palm Bay, FL (US)

(72) Inventor: **Jason Vreeland**, Palm Bay, FL (US)

(**) Term: **14 Years**

(21) Appl. No.: **29/448,417**

(22) Filed: **Mar. 12, 2013**

(51) **LOC (10) Cl.** **22-01**

(52) **U.S. Cl.**
USPC **D22/108**

(58) **Field of Classification Search**
USPC D22/100, 108, 199; D8/68;
42/71.01-74; 89/1.42
See application file for complete search history.

(56) **References Cited**

U.S. PATENT DOCUMENTS

2,933,843	A *	4/1960	McFeeter	42/85
7,823,316	B2 *	11/2010	Storch et al.	42/90
D678,976	S *	3/2013	Pittman	D22/108
2011/0107643	A1 *	5/2011	Fitzpatrick et al.	42/72

* cited by examiner

Primary Examiner — Michael A Pratt

(57) **CLAIM**

The ornamental design of a firearm grip, as shown and described.

DESCRIPTION

FIG. 1 is a left side top perspective view of a firearm grip according to the present invention.

FIG. 2 is a right side top perspective view of a firearm grip according to the present invention.

FIG. 3 is a left side bottom perspective view of the firearm grip illustrated in FIG. 1.

FIG. 4 is a right side bottom perspective view of the firearm grip illustrated in FIG. 2.

FIG. 5 is a left side top and front perspective view of a firearm grip according to the present invention.

FIG. 6 is a right side top and front perspective view of a firearm grip according to the present invention.

FIG. 7 is a left side bottom and rear perspective view of the firearm grip illustrated in FIG. 5.

FIG. 8 is a right side bottom and rear perspective view of the firearm grip illustrated in FIG. 6.

FIG. 9 is a front elevation view of a firearm grip according to the present invention.

FIG. 10 is a top plan view of a firearm grip according to the present invention.

FIG. 11 is a rear elevation view of a firearm grip according to the present invention.

FIG. 12 is a bottom plan view of a firearm grip according to the present invention.

FIG. 13 is a side elevation view of a firearm grip according to the present invention.

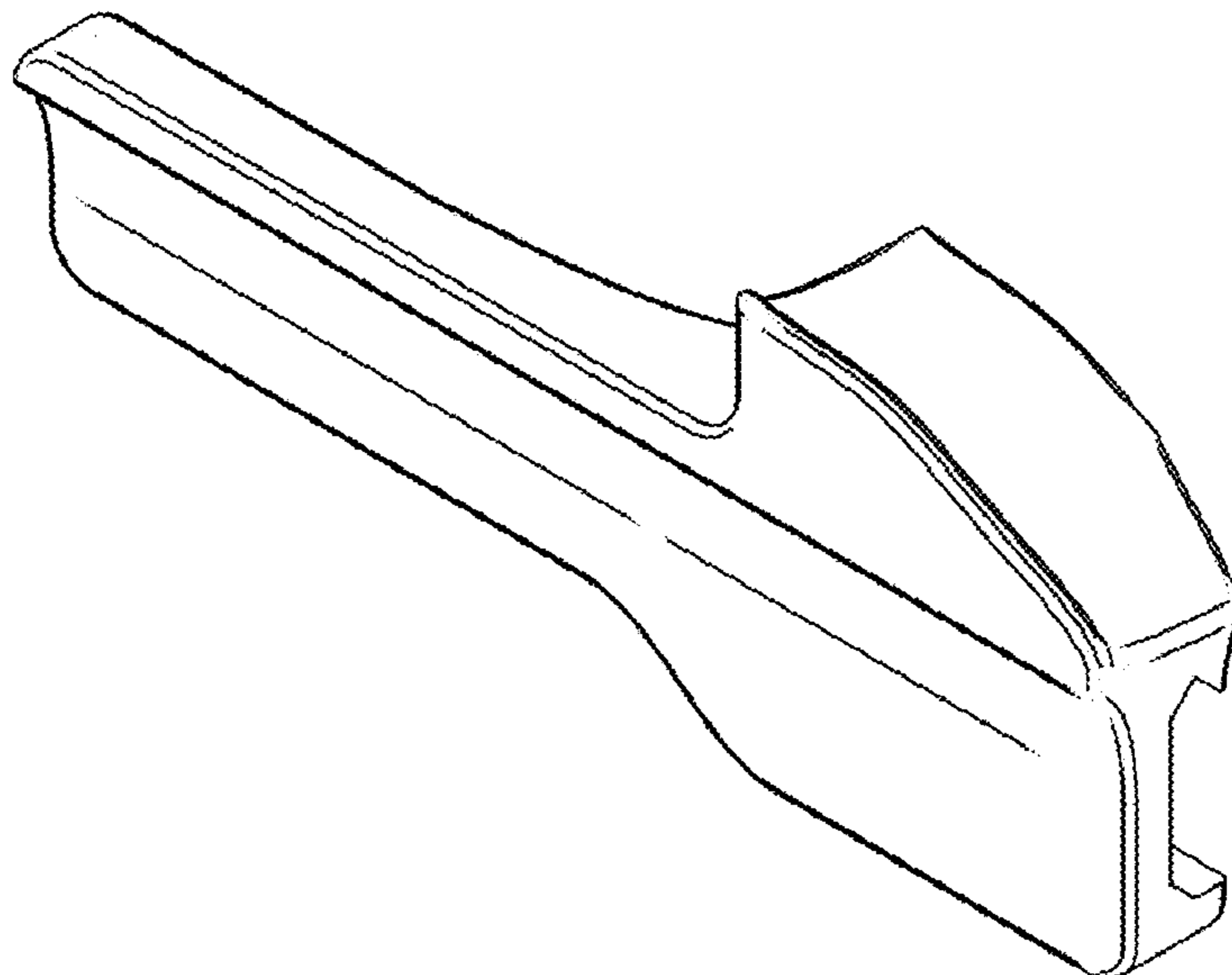
FIG. 14 is another side elevation view of a firearm grip according to the present invention.

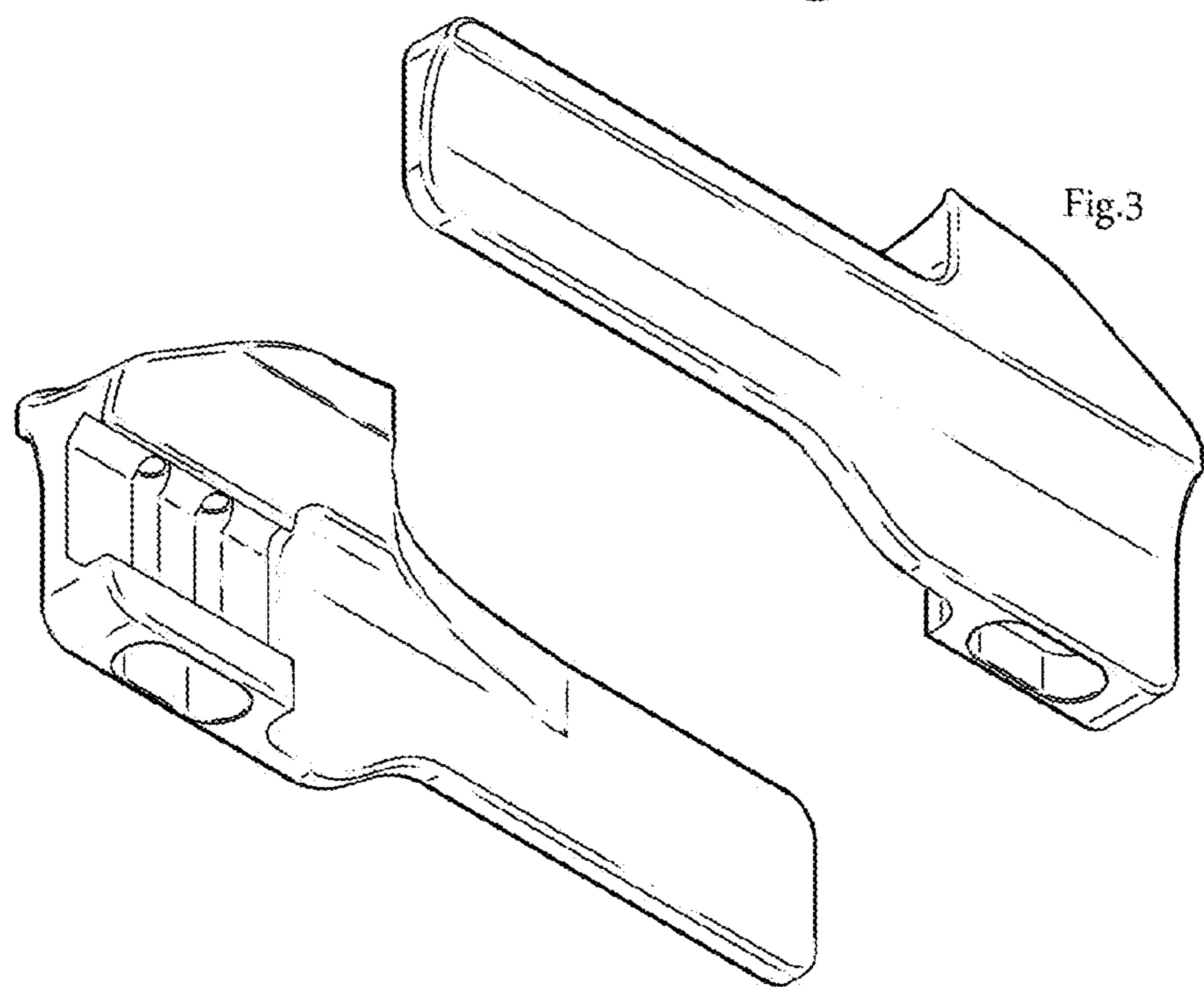
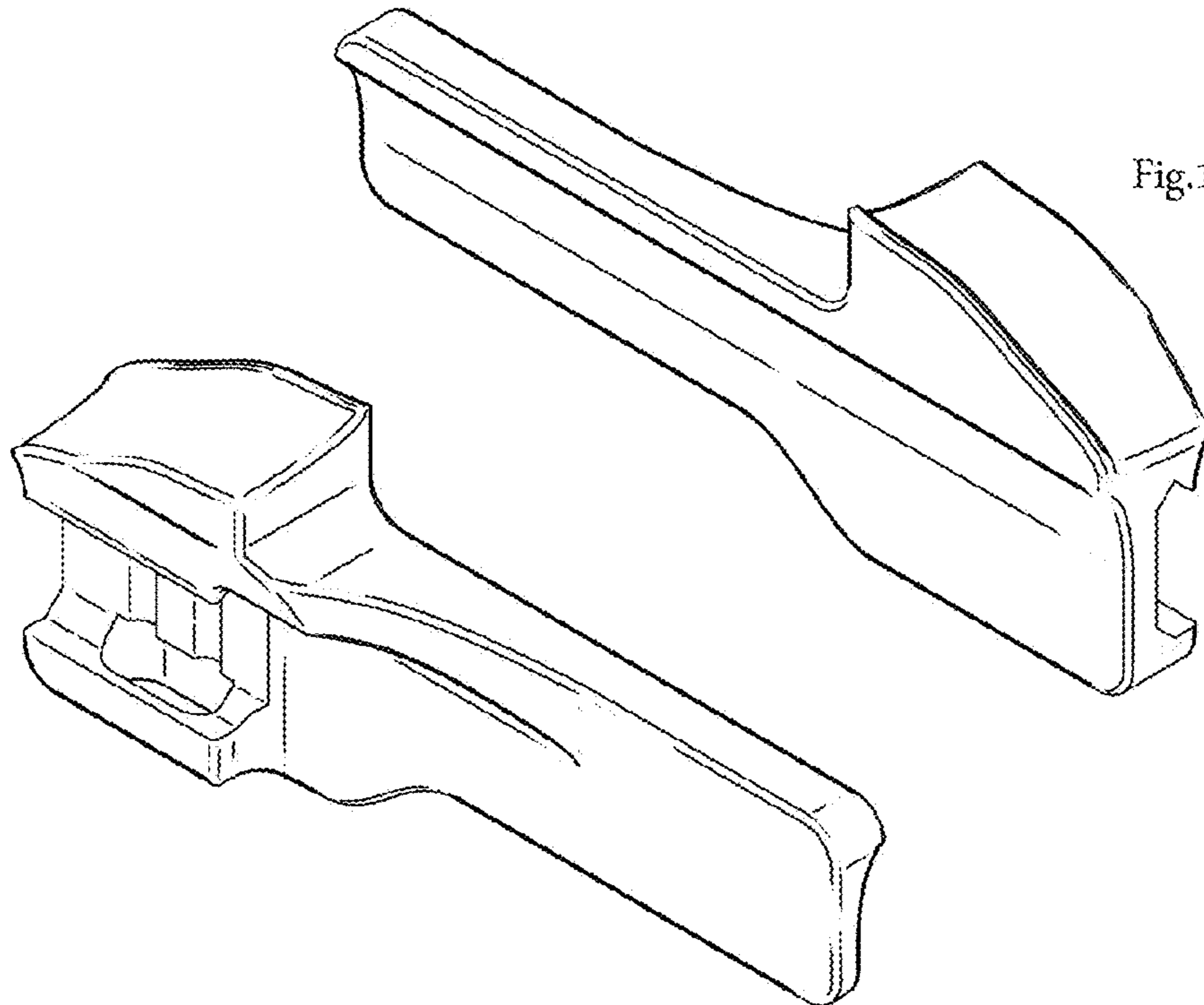
FIG. 15 is a perspective view of a firearm grip according to the present invention being connected to a firearm; and,

FIG. 16 is a perspective view of a firearm grip according to the present invention that is connected to a firearm and being used by a user.

The dashed lines in FIGS. 15 and 16 illustrate unclaimed features and do not form a part of the presently claimed invention.

1 Claim, 4 Drawing Sheets





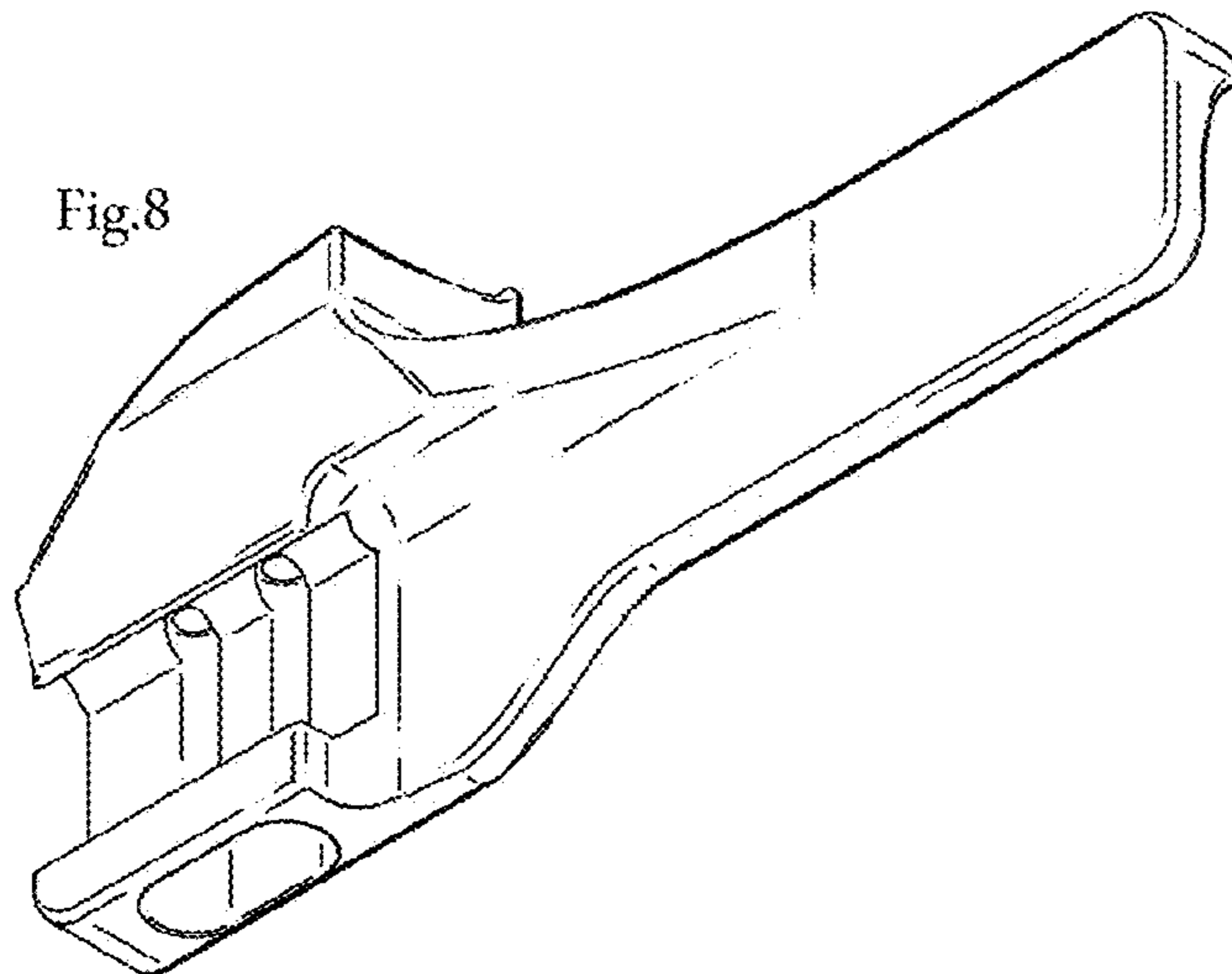
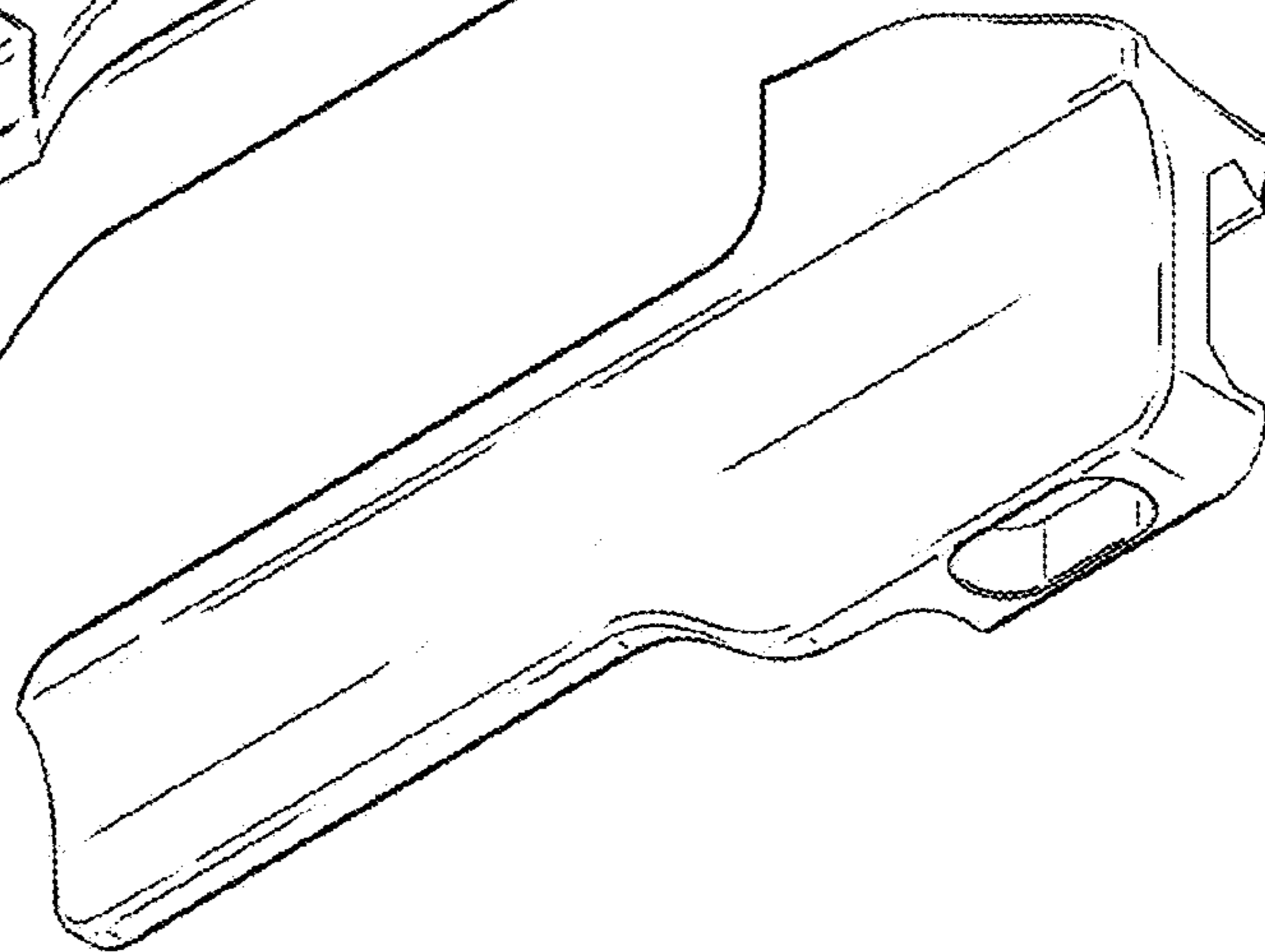
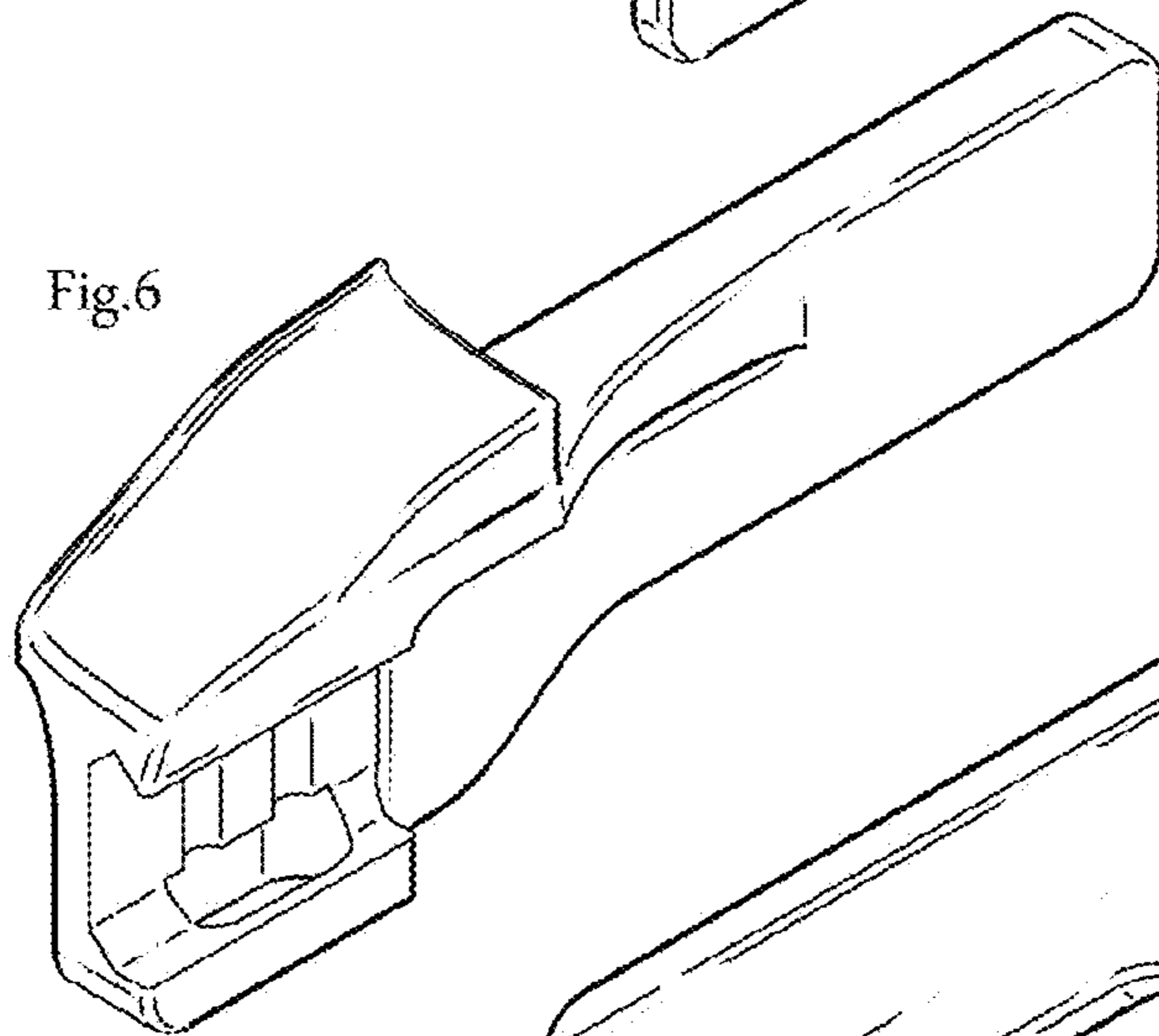
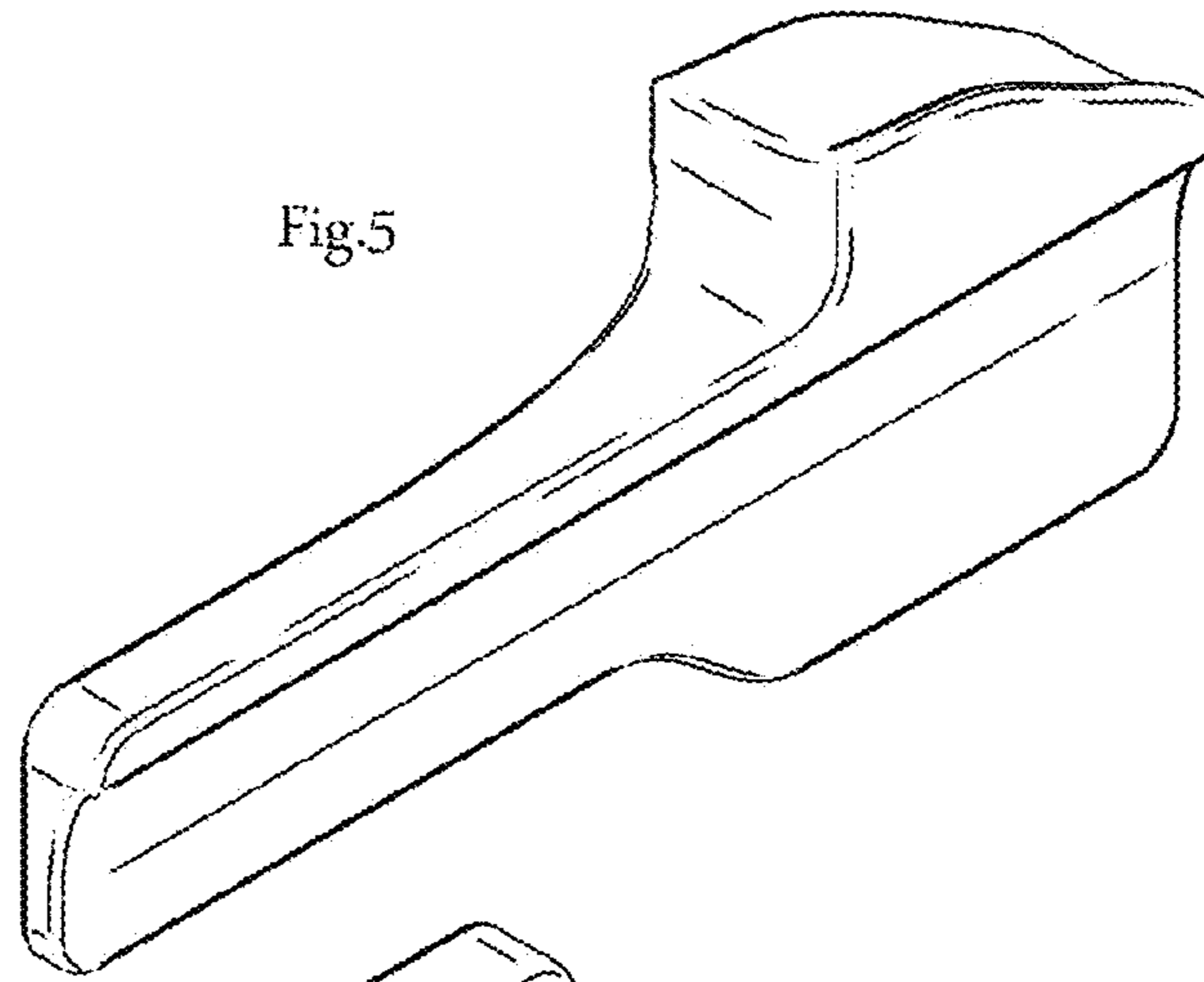


Fig.9

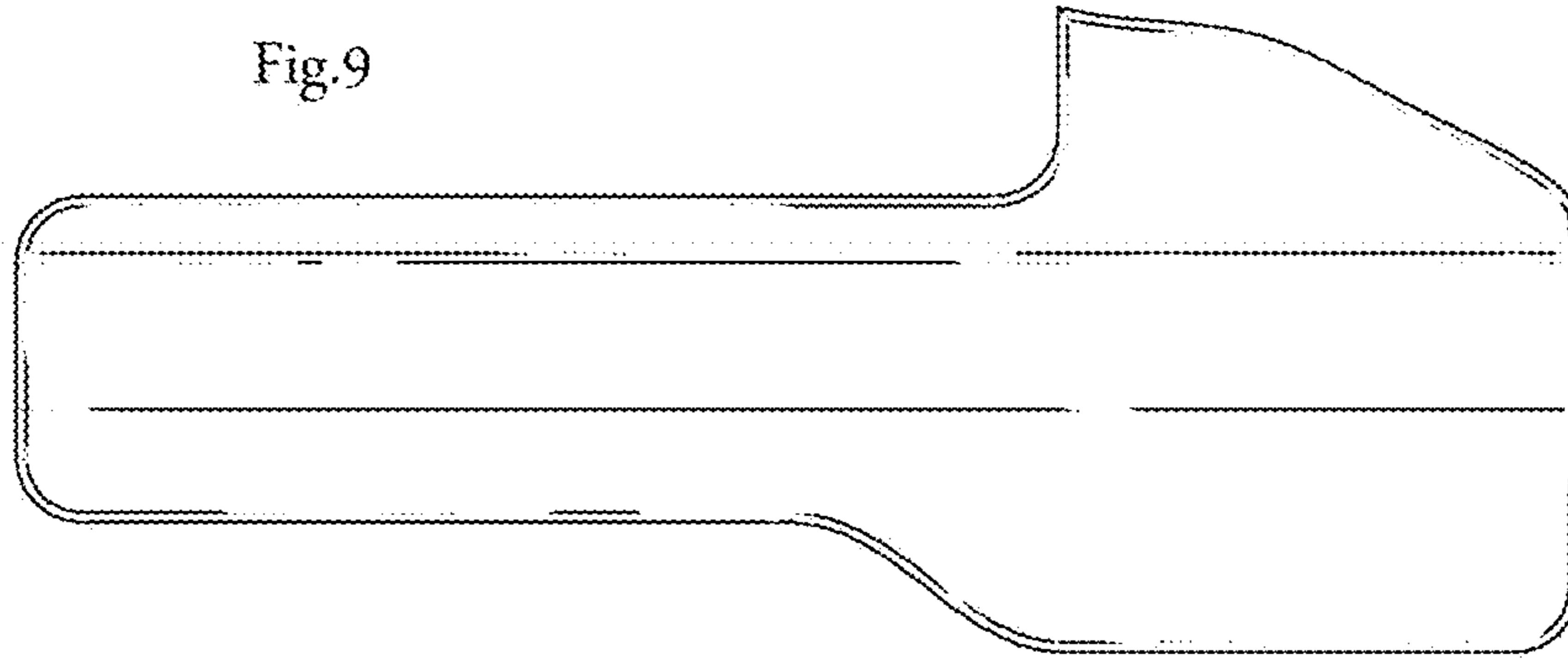


Fig.10

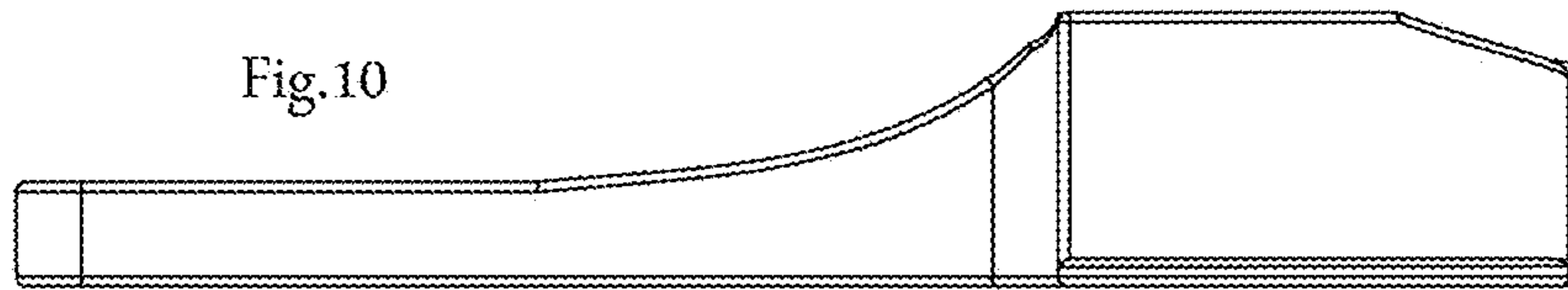


Fig.11

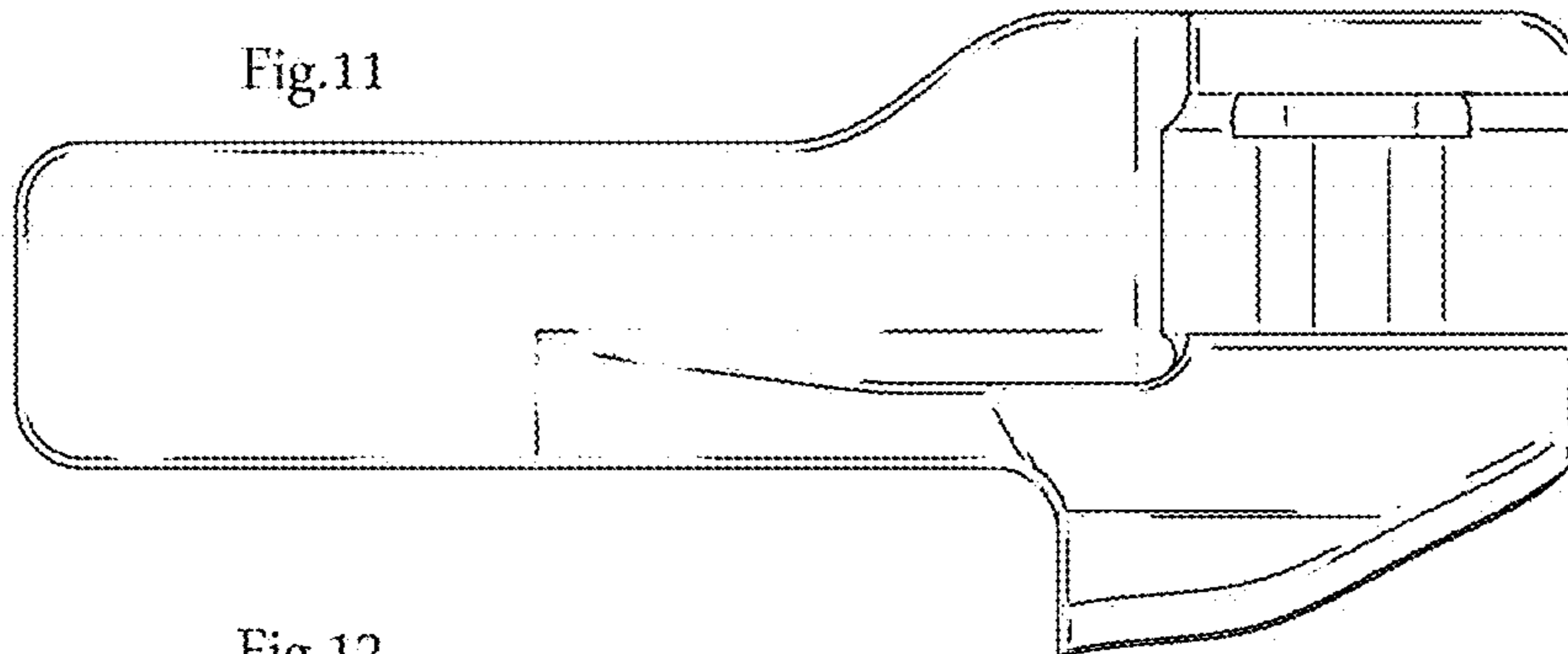


Fig.12

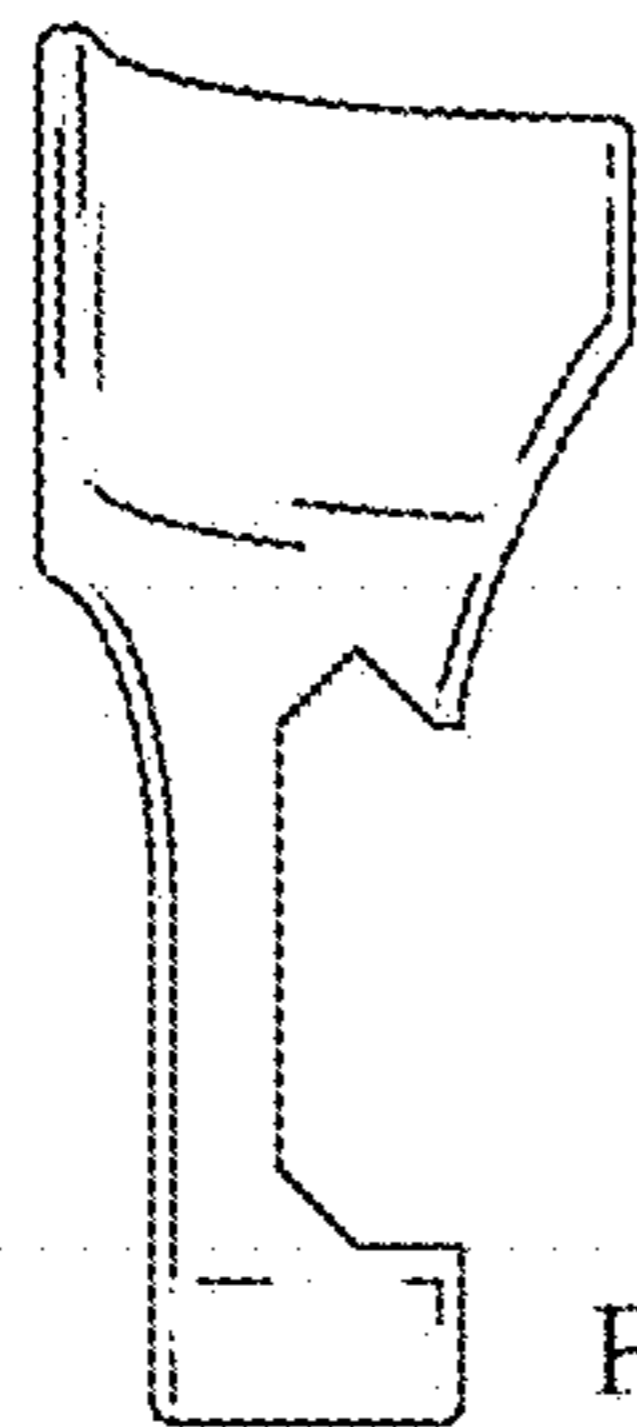
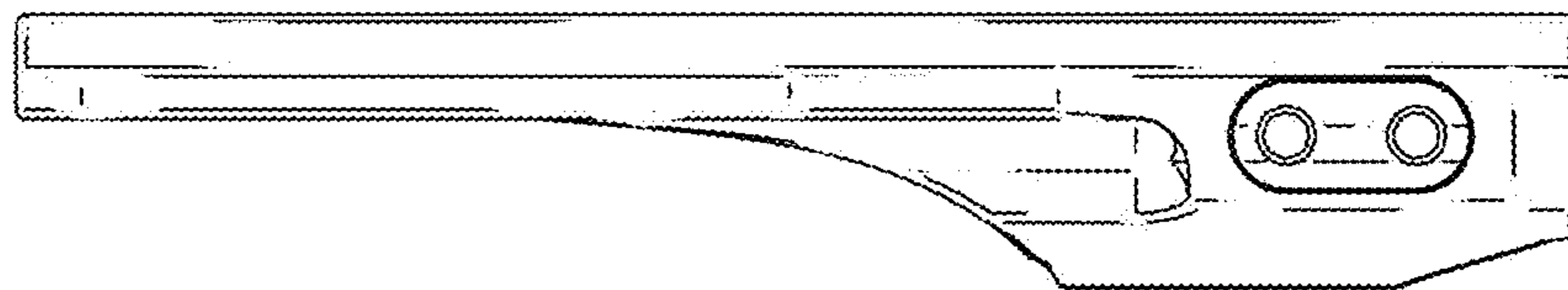


Fig.13

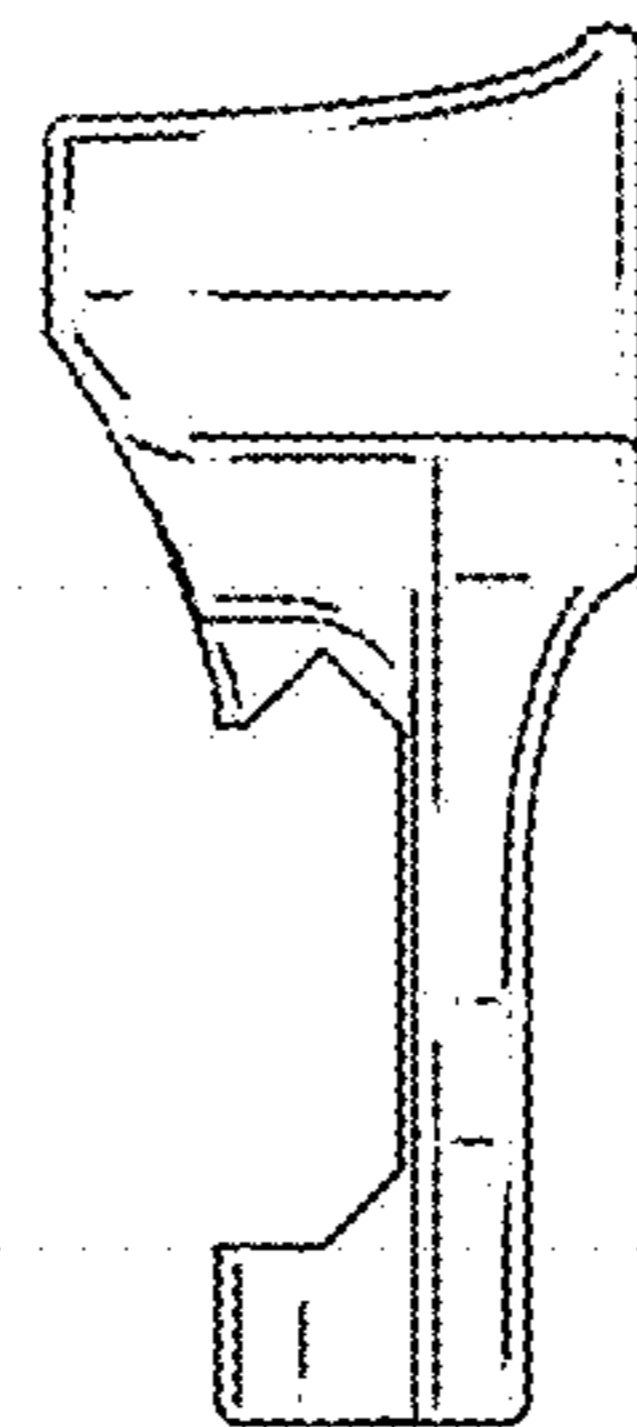


Fig.14

