



US00D709583S

(12) **United States Design Patent**  
**Komatsu et al.**

(10) **Patent No.:** **US D709,583 S**  
(45) **Date of Patent:** **\*\* Jul. 22, 2014**

(54) **TWO PIECE RIFLE RECEIVER AND TAIL WITH CONNECTOR**

(71) Applicant: **Browning Arms Company**, Morgan, UT (US)

(72) Inventors: **Takahiro Komatsu**, Kochi Prefecture (JP); **Shunji Okazaki**, Kochi Prefecture (JP); **Peter Sodoma**, Layton, UT (US)

(73) Assignee: **Browning Arms Company**, Morgan, UT (US)

(\*\*) Term: **14 Years**

(21) Appl. No.: **29/443,058**

(22) Filed: **Jan. 11, 2013**

(51) **LOC (10) Cl.** ..... **22-01**

(52) **U.S. Cl.**  
USPC ..... **D22/108**

(58) **Field of Classification Search**  
USPC ..... D22/103, 108; 42/71.01; 89/40.06,  
89/41.19, 37.04, 33.04, 191.01, 200-204;  
124/7, 66, 72, 74  
See application file for complete search history.

(56) **References Cited**

**U.S. PATENT DOCUMENTS**

1,209,872	A *	12/1916	Nelson	.....	42/16
2,144,241	A *	1/1939	Eiane	.....	89/145
2,396,404	A *	3/1946	Williams et al.	.....	42/125
2,629,175	A *	2/1953	Merritt	.....	42/128

3,387,400	A *	6/1968	Badali et al.	.....	42/70.01
4,015,357	A *	4/1977	Andersson	.....	42/16
4,688,345	A *	8/1987	Kilgour	.....	42/127
4,860,480	A *	8/1989	Ruger	.....	42/124
5,410,834	A *	5/1995	Benton et al.	.....	42/75.02

\* cited by examiner

*Primary Examiner* — Michael A Pratt

(74) *Attorney, Agent, or Firm* — Squire Patton Boggs (US) LLP

(57) **CLAIM**

The ornamental design for a two piece rifle receiver and tail with connector, as shown and described.

**DESCRIPTION**

FIG. 1 is a left side perspective view of the two piece rifle receiver and tail with connector.

FIG. 2 is a right side perspective view of the two piece rifle receiver and tail with connector.

FIG. 3 is a front end view of the two piece rifle receiver and tail with connector.

FIG. 4 is a back end view of the two piece rifle receiver and tail with connector.

FIG. 5 is a left side view of the two piece rifle receiver and tail with connector.

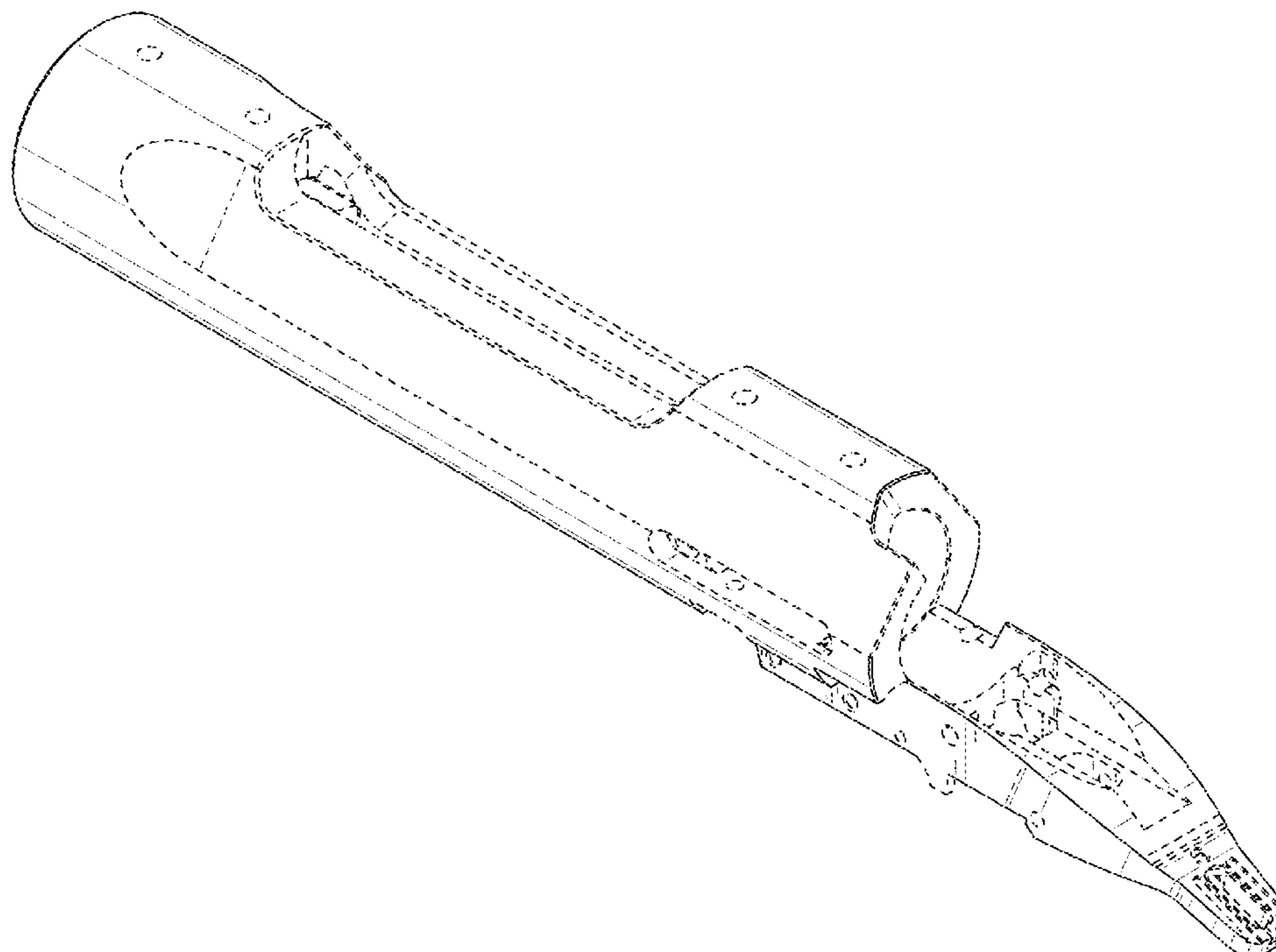
FIG. 6 is a right side view of the two piece rifle receiver and tail with connector.

FIG. 7 is a top view of the two piece rifle receiver and tail with connector; and,

FIG. 8 is a bottom view of the two piece rifle receiver and tail with connector.

The broken line showing of aspects of the two piece rifle receiver and tail with connector forms no part of the claimed design.

**1 Claim, 5 Drawing Sheets**



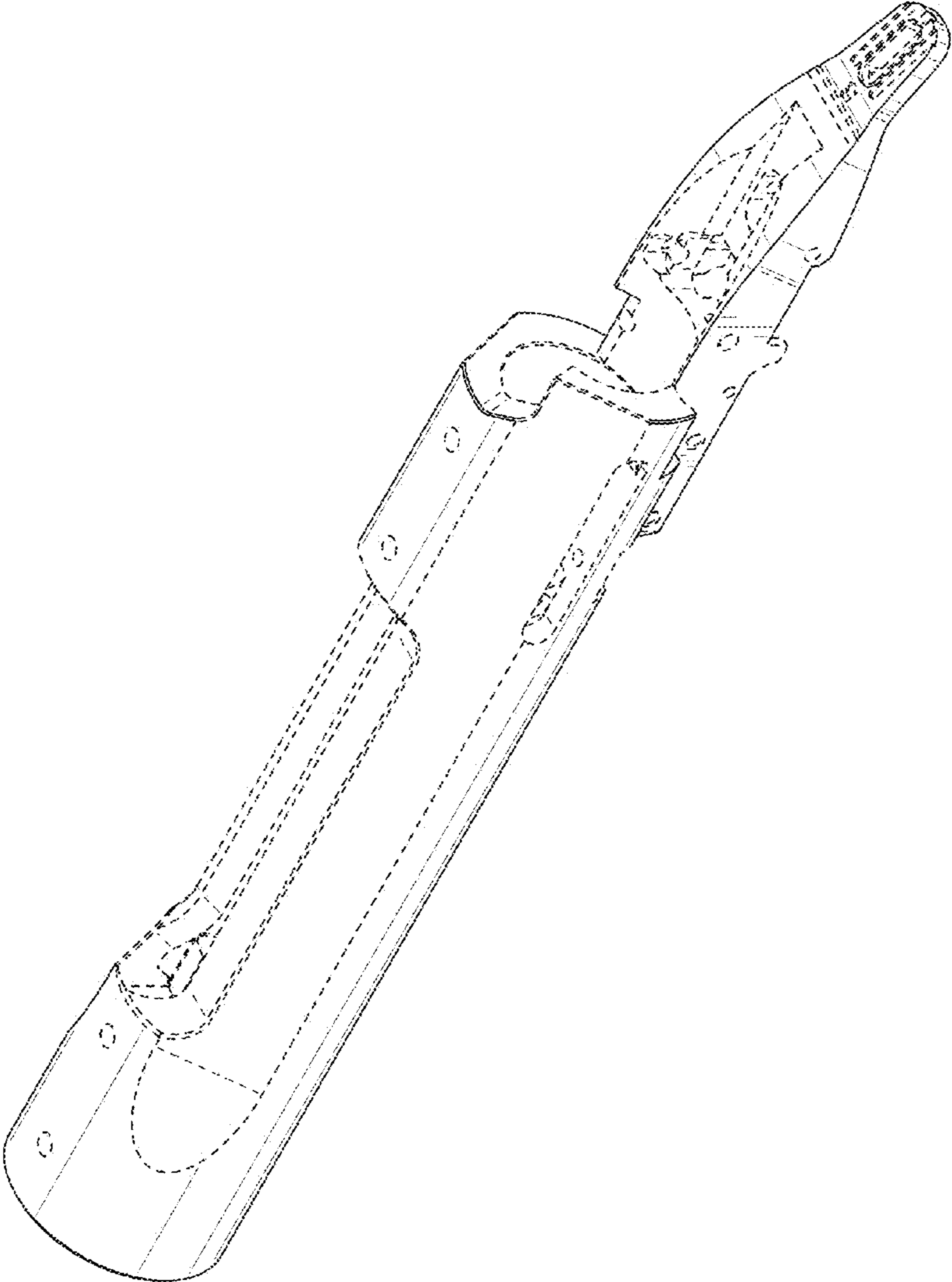


FIG. 1

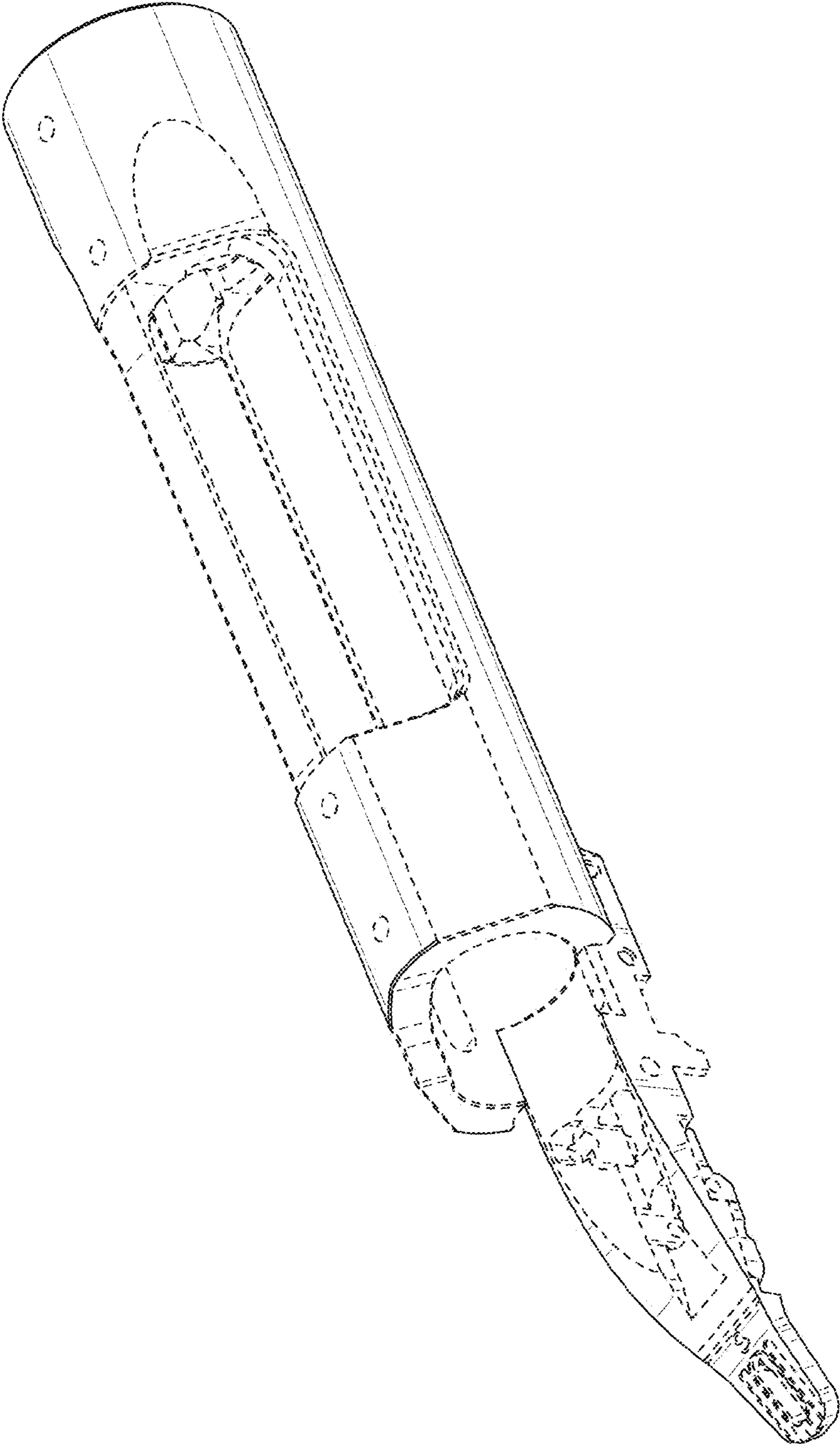


FIG. 2

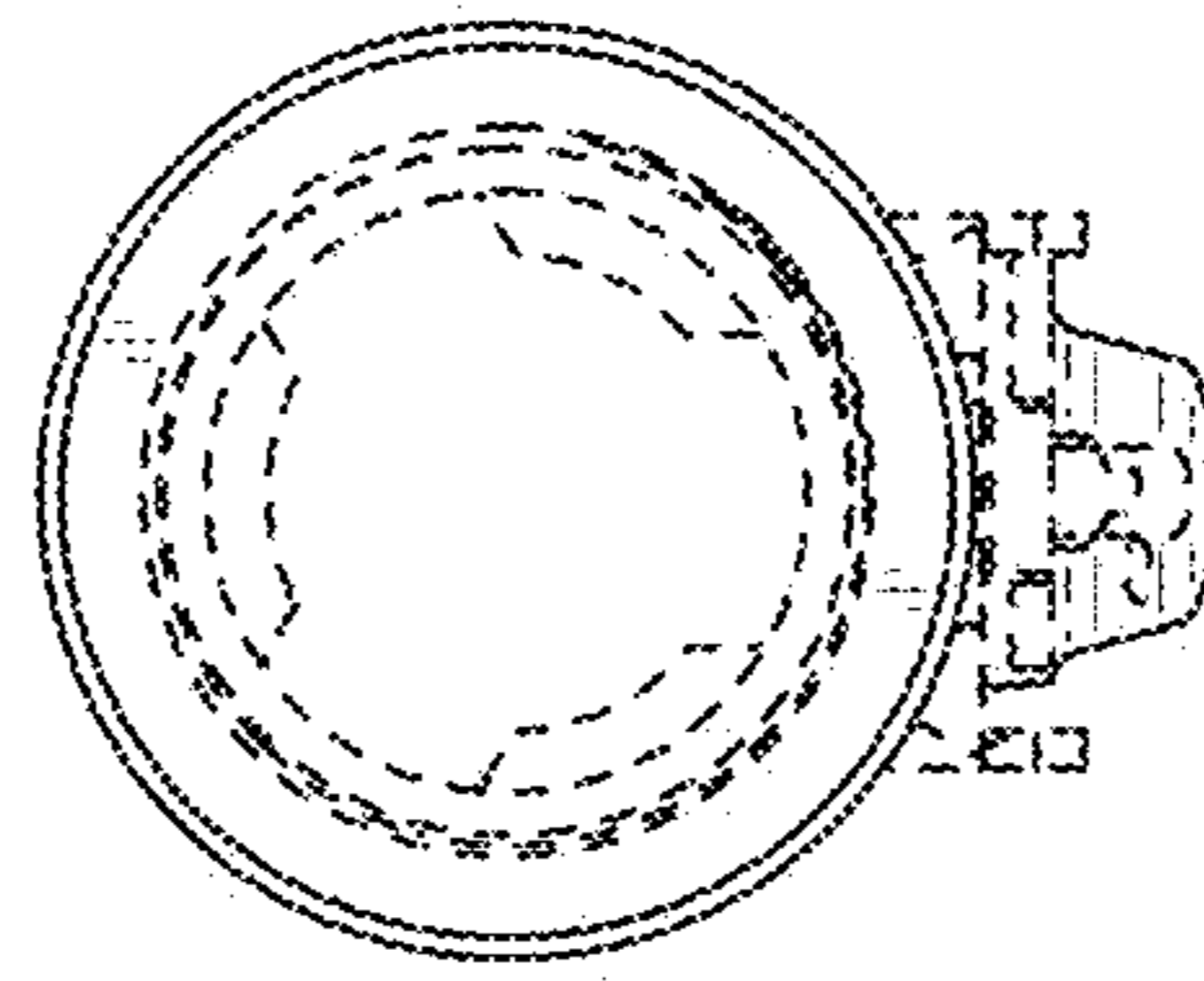


FIG. 4

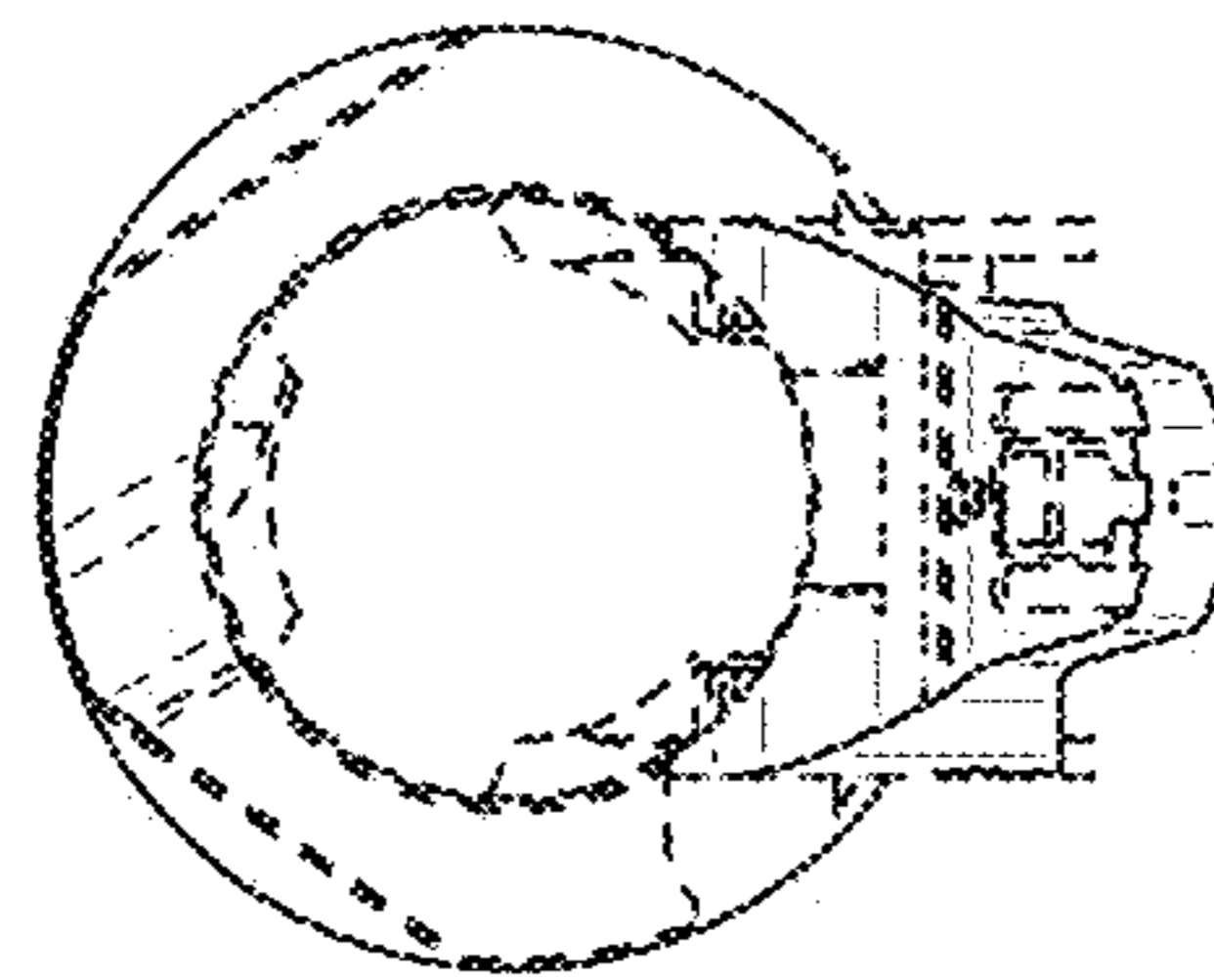


FIG. 3

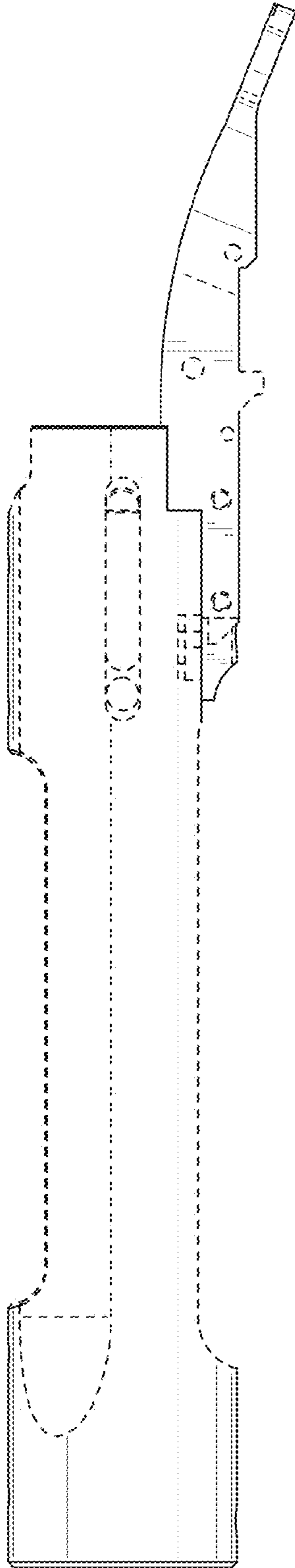


FIG. 5

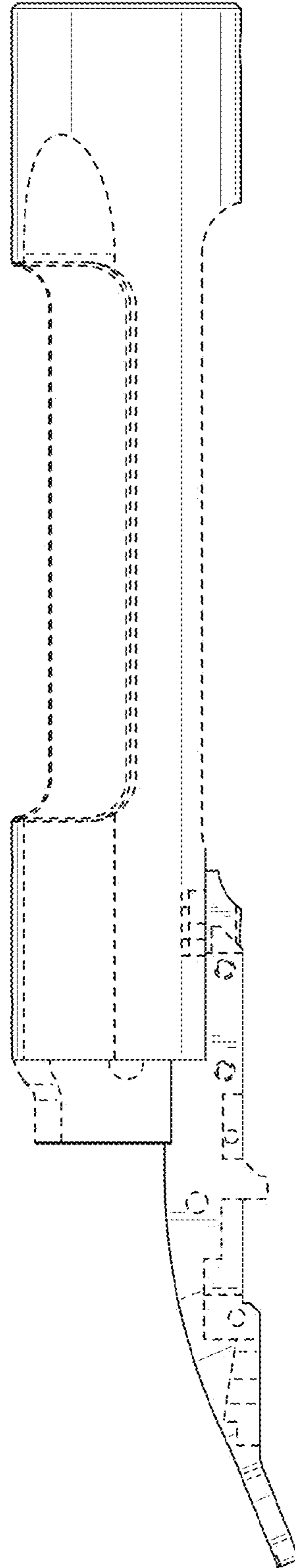


FIG. 6

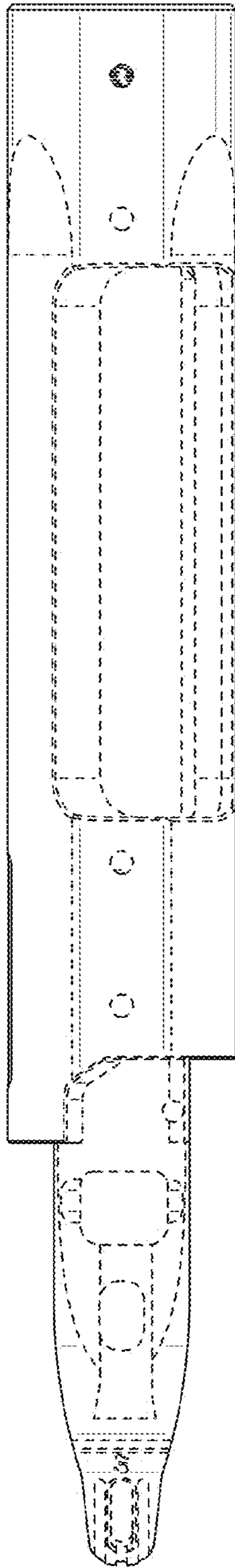


FIG. 7

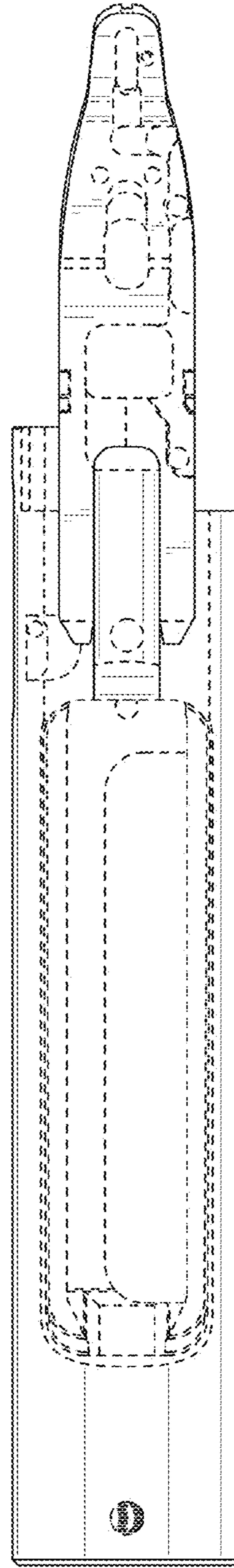


FIG. 8