



US00D709582S

(12) **United States Design Patent**
Geissele

(10) **Patent No.:** **US D709,582 S**
(45) **Date of Patent:** **** Jul. 22, 2014**

(54) **FIREARM HANDGUARD**

(71) Applicant: **William H. Geissele**, Norristown, PA
(US)

(72) Inventor: **William H. Geissele**, Norristown, PA
(US)

(73) Assignee: **WHG Properties, LLC**, North Wales,
PA (US)

(**) Term: **14 Years**

(21) Appl. No.: **29/437,000**

(22) Filed: **Nov. 12, 2012**

(51) **LOC (10) Cl.** **22-01**

(52) **U.S. Cl.**

USPC **D22/108**

(58) **Field of Classification Search**

USPC D22/103, 108; 124/67, 66, 72, 74;
D21/572-575; 42/1.01-1.07, 2, 10-26,
42/34, 36, 37, DIG. 1; 89/40.06, 41.19,
89/37.04, 33.04, 191.01, 200-204

See application file for complete search history.

(56) **References Cited**

U.S. PATENT DOCUMENTS

5,826,363 A * 10/1998 Olson 42/75.01
6,449,893 B2 9/2002 Spinner

(Continued)

OTHER PUBLICATIONS

Rail photo, Troy Industries, Inc., 08-42-51-718, 1 page (Oct. 9,
2012).

(Continued)

Primary Examiner — Michael A Pratt

(74) *Attorney, Agent, or Firm* — Merchant & Gould P.C.

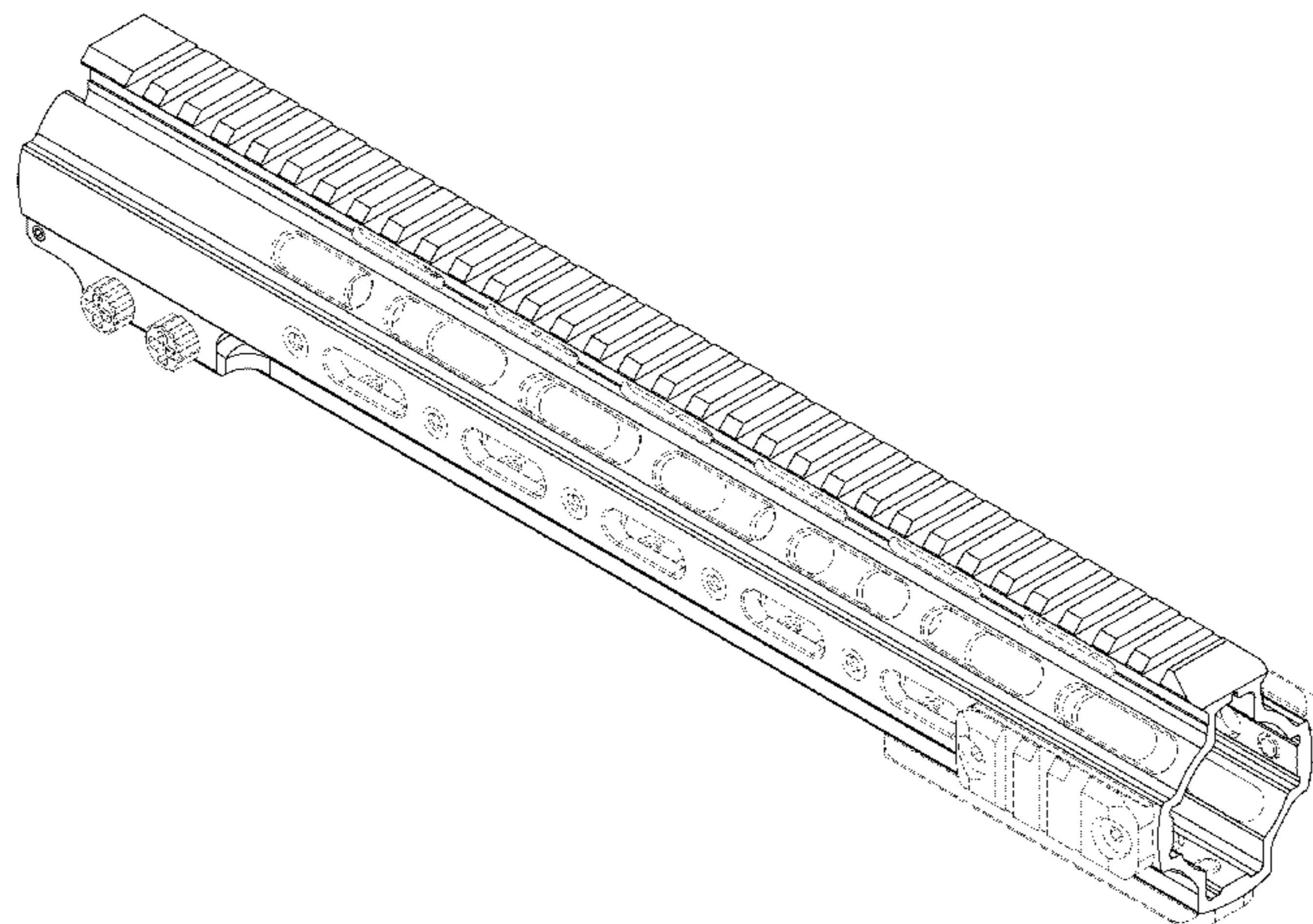
(57) **CLAIM**

The ornamental design for a firearm handguard, as shown and
described.

DESCRIPTION

FIG. 1 is a front right isometric view of the handguard accord-
ing to a first embodiment of the present disclosure;
FIG. 2 is a rear left isometric view of the handguard of FIG. 1;
FIG. 3 is a front elevation view of the handguard of FIG. 1;
FIG. 4 is a rear elevation view of the handguard of FIG. 1;
FIG. 5 is a left side elevation view of the handguard of FIG. 1;
FIG. 6 is a right side elevation view of the handguard of FIG.
1;
FIG. 7 is a top view of the handguard of FIG. 1;
FIG. 8 is a bottom view of the handguard of FIG. 1;
FIG. 9 is a front right isometric view of the handguard accord-
ing to a second embodiment of the present disclosure;
FIG. 10 is a rear left isometric view of the handguard of FIG.
9;
FIG. 11 is a front elevation view of the handguard of FIG. 9;
FIG. 12 is a rear elevation view of the handguard of FIG. 9;
FIG. 13 is a left side elevation view of the handguard of FIG.
9;
FIG. 14 is a right side elevation view of the handguard of FIG.
9;
FIG. 15 is a top view of the handguard of FIG. 9;
FIG. 16 is a bottom view of the handguard of FIG. 9;
FIG. 17 is a front right isometric view of the handguard
according to a third embodiment of the present disclosure;
FIG. 18 is a rear left isometric view of the handguard of FIG.
17;
FIG. 19 is a front elevation view of the handguard of FIG. 17;
FIG. 20 is a rear elevation view of the handguard of FIG. 17;
FIG. 21 is a left side elevation view of the handguard of FIG.
17;
FIG. 22 is a right side elevation view of the handguard of FIG.
17;
FIG. 23 is a top view of the handguard of FIG. 17; and,
FIG. 24 is a bottom view of the handguard of FIG. 17.
The broken lines in the Figures are for illustrative purposes
only and form no part of the claimed design.

1 Claim, 21 Drawing Sheets



(56)

References Cited

U.S. PATENT DOCUMENTS

6,792,711	B2	9/2004	Battaglia	
6,836,990	B2	1/2005	Shiloni	
6,854,206	B2	2/2005	Oz	
RE39,465	E	1/2007	Swan	
7,191,557	B2	3/2007	Gablowski et al.	
7,216,451	B1	5/2007	Troy	
7,231,861	B1	6/2007	Gauny et al.	
7,313,883	B2	1/2008	Leitner-Wise	
RE40,216	E	4/2008	Swan	
7,430,828	B2	10/2008	Munst	
7,523,580	B1	4/2009	Tankersley	
D607,958	S *	1/2010	Swan	D22/108
7,685,759	B2	3/2010	Teetzel	
D613,810	S *	4/2010	Gulledge	D22/108
D613,811	S *	4/2010	Swan	D22/108
D616,521	S *	5/2010	Starnes	D22/108
7,716,865	B2	5/2010	Daniel et al.	
7,770,317	B1	8/2010	Tankersley	

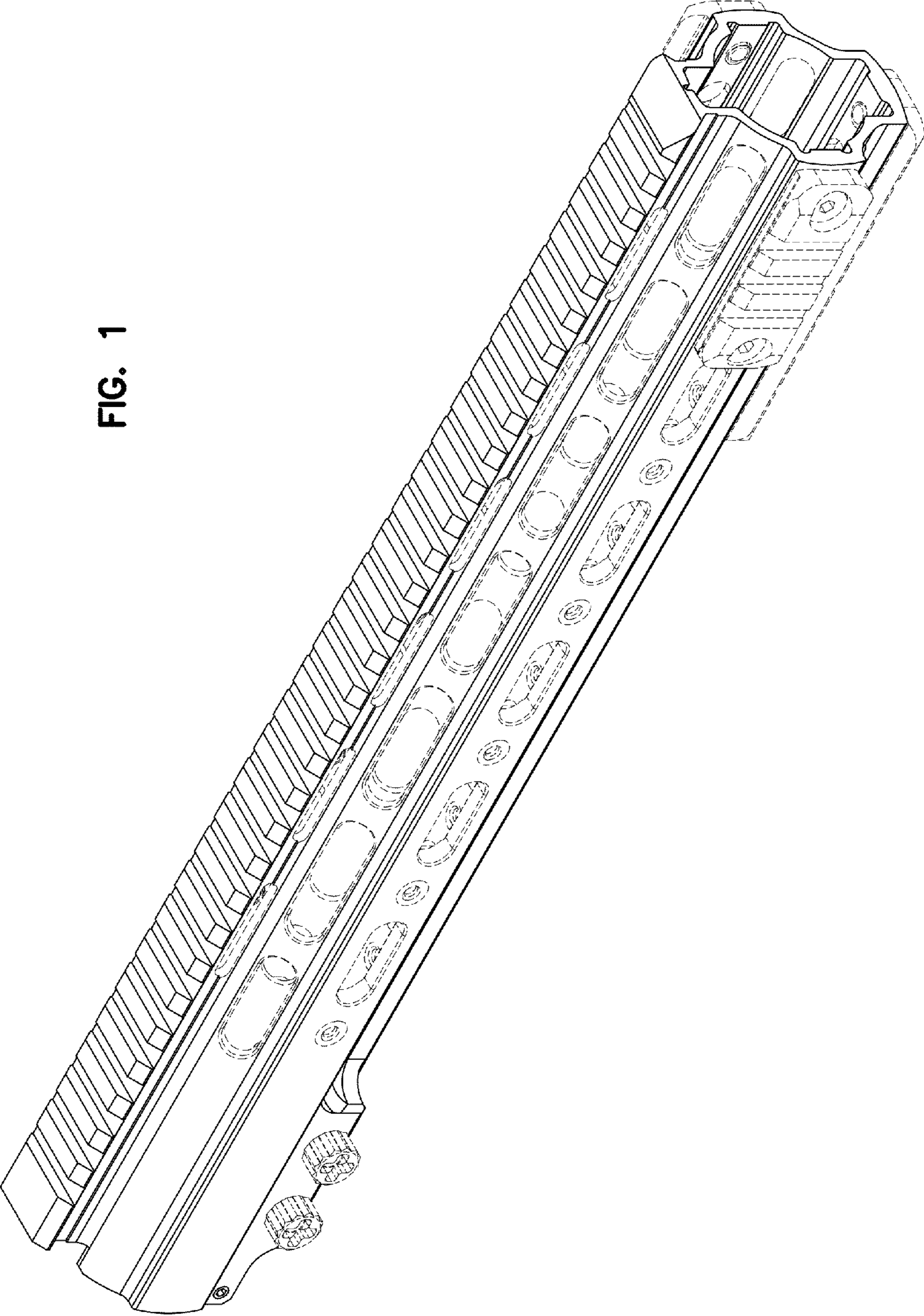
7,793,452	B1	9/2010	Samson et al.	
7,802,392	B2	9/2010	Peterson et al.	
7,823,316	B2	11/2010	Storch et al.	
D641,450	S *	7/2011	Ding	D22/108
8,201,353	B1 *	6/2012	Swan	42/71.01
D670,783	S *	11/2012	Barrett	D22/103
2006/0048424	A1 *	3/2006	Weir	42/69.01
2006/0053673	A1	3/2006	Murello	
2008/0092422	A1	4/2008	Daniel et al.	
2008/0168696	A1	7/2008	Orne et al.	
2008/0178511	A1	7/2008	Storch et al.	
2008/0216380	A1	9/2008	Teetzel	
2009/0288324	A1	11/2009	Peterson et al.	
2010/0005697	A1	1/2010	Fluhr et al.	
2010/0126054	A1	5/2010	Daniel et al.	

OTHER PUBLICATIONS

Rail 1 photo, Knight's Armament Co., 1 page (date unknown).
 Rail 2 photo, Knight's Armament Co., 1 page (date unknown).

* cited by examiner

FIG. 1



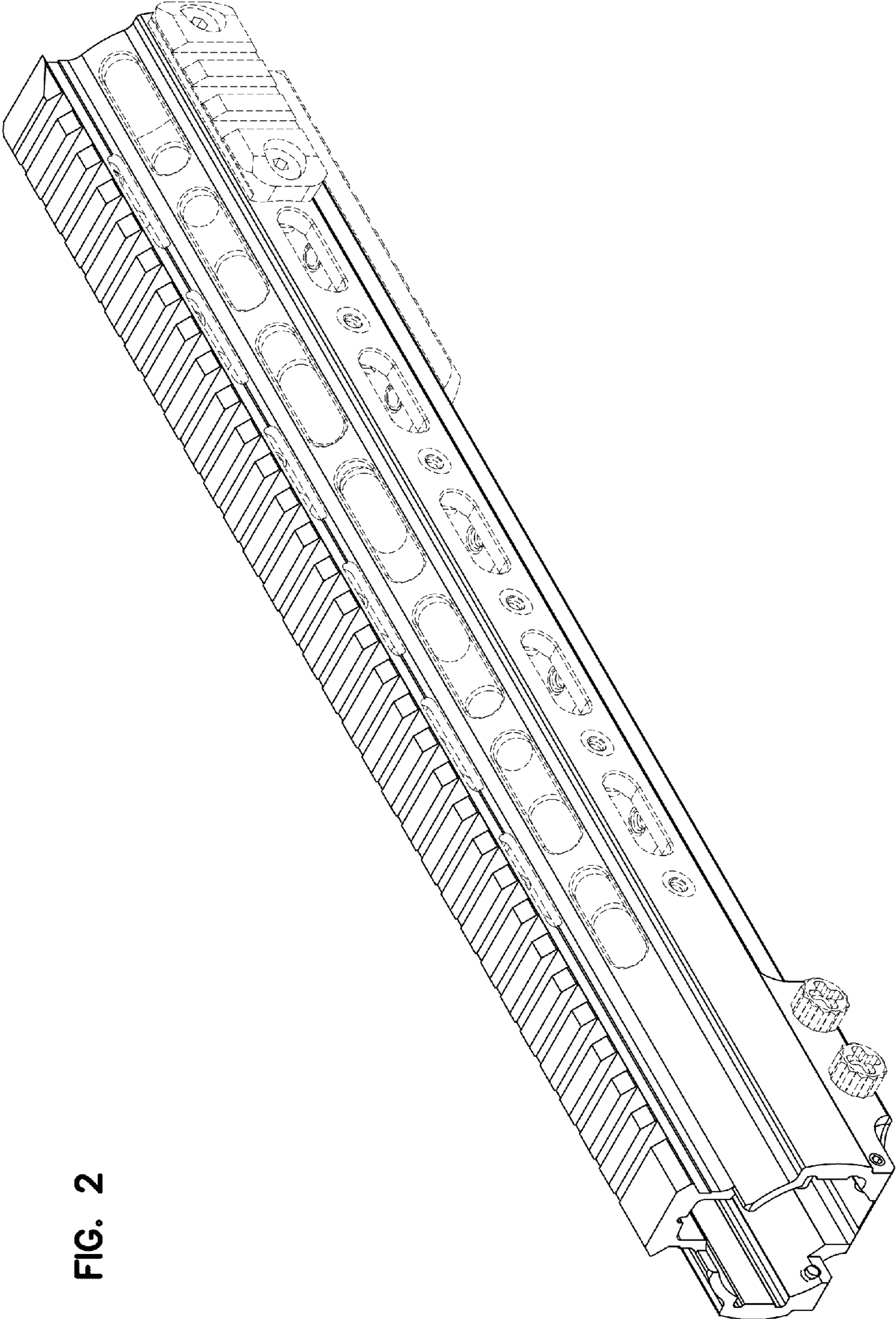


FIG. 2

FIG. 4

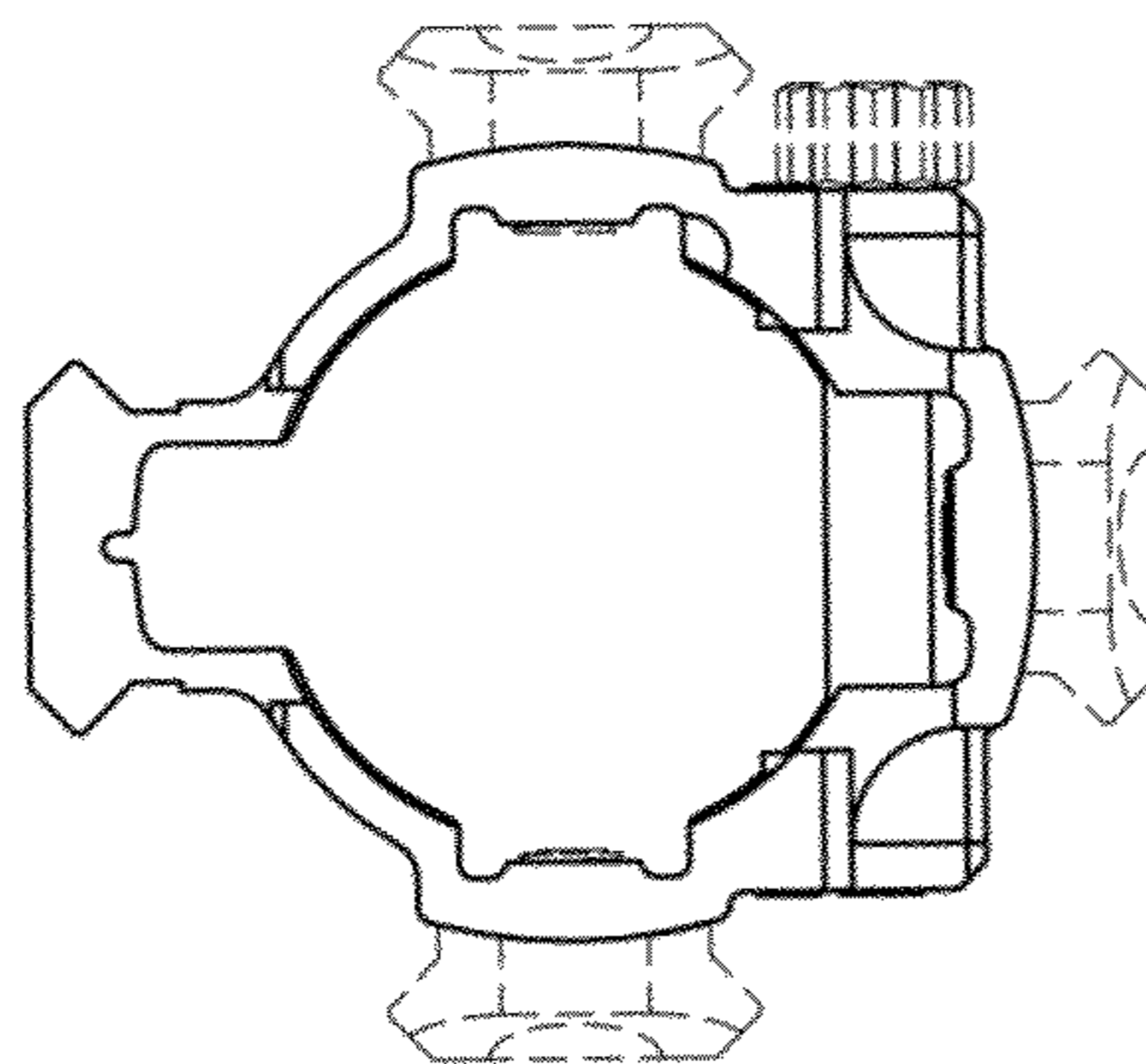


FIG. 3

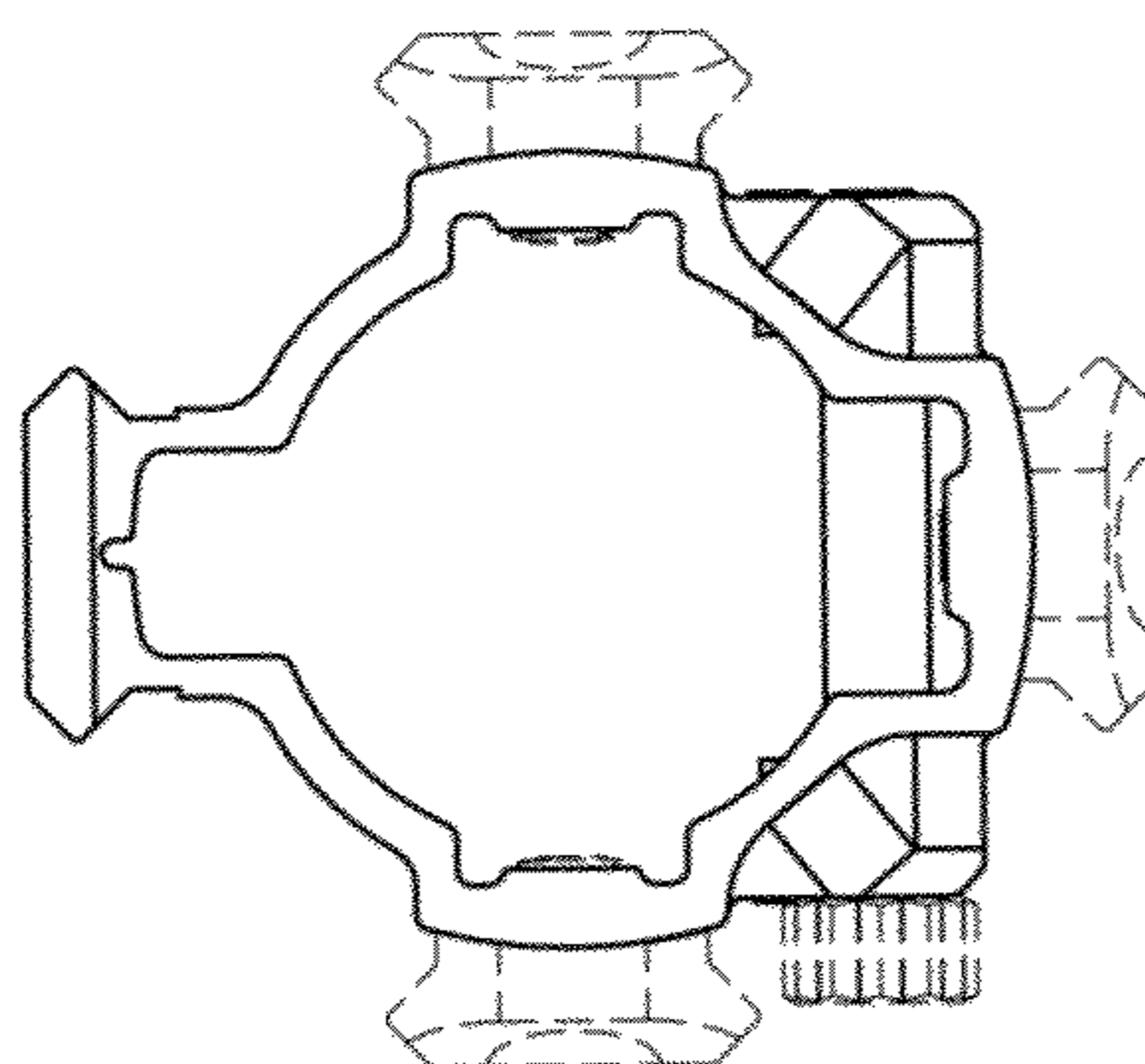


FIG. 5

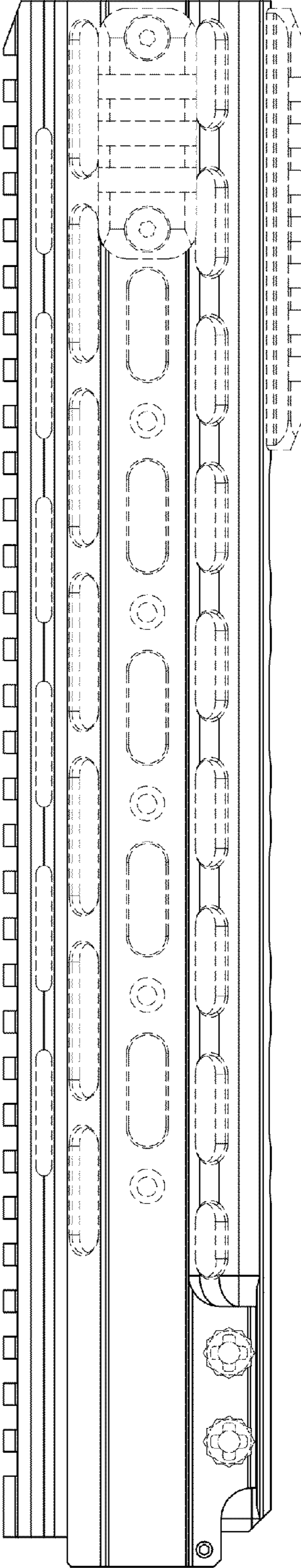


FIG. 6

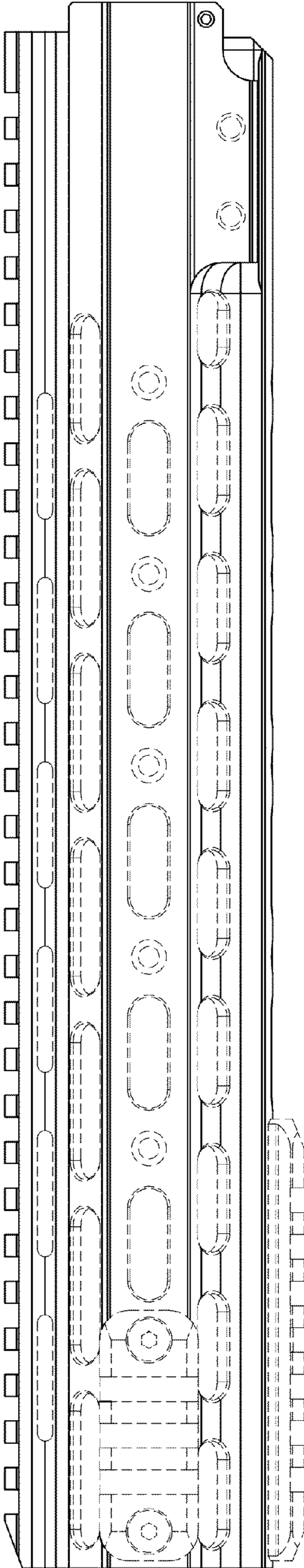


FIG. 7

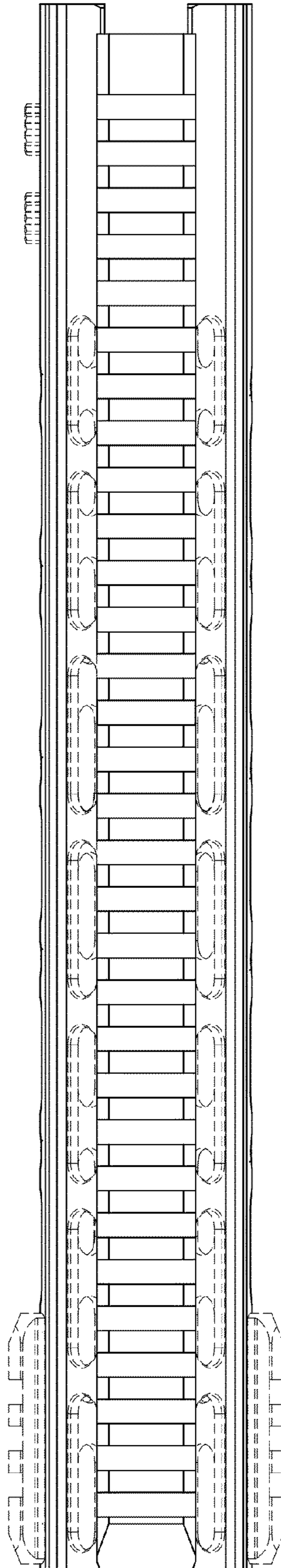


FIG. 8

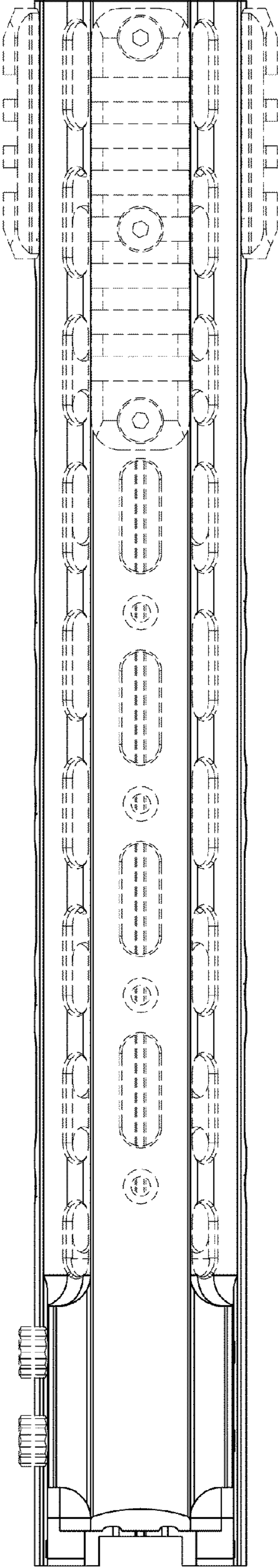
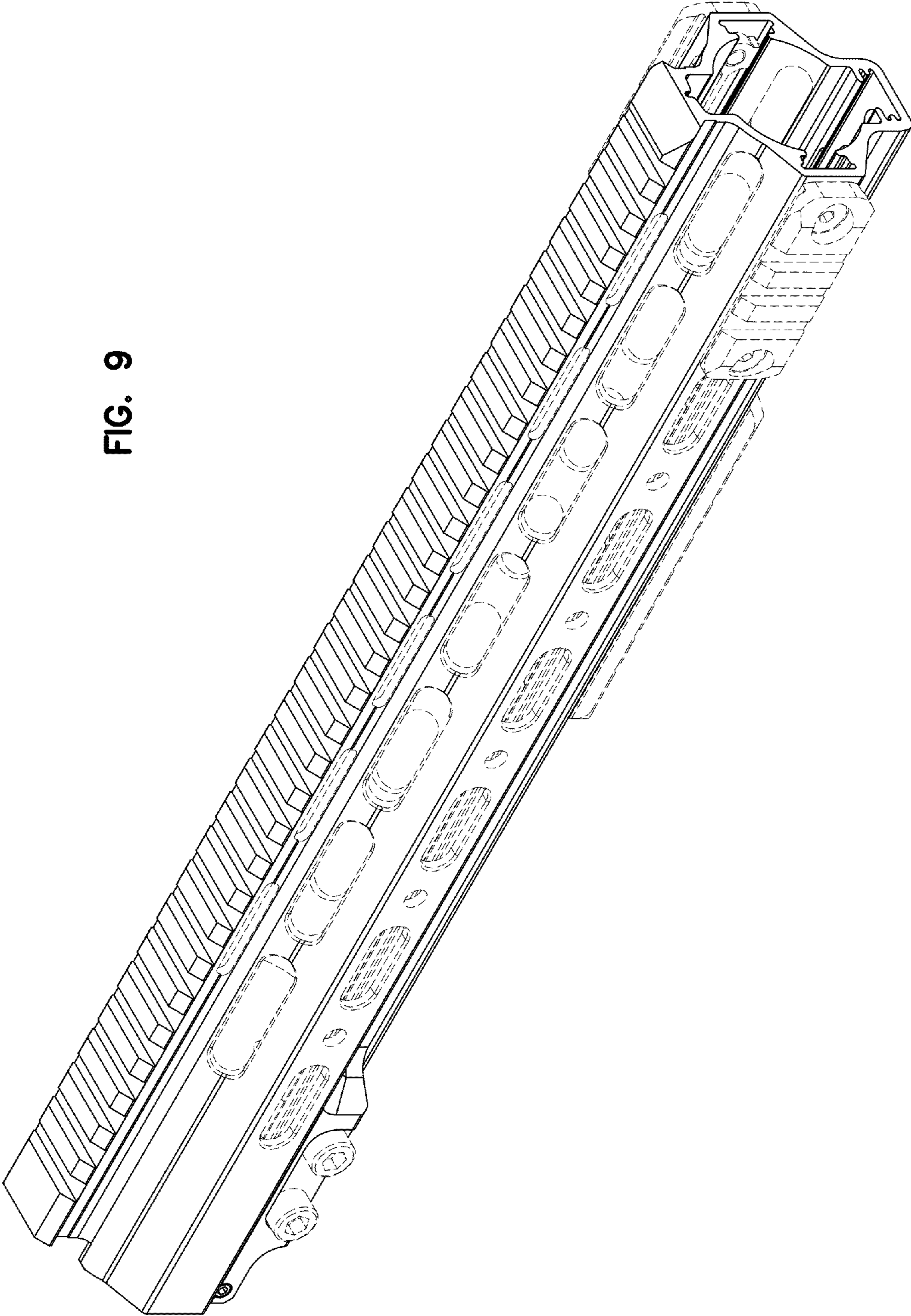


FIG. 9



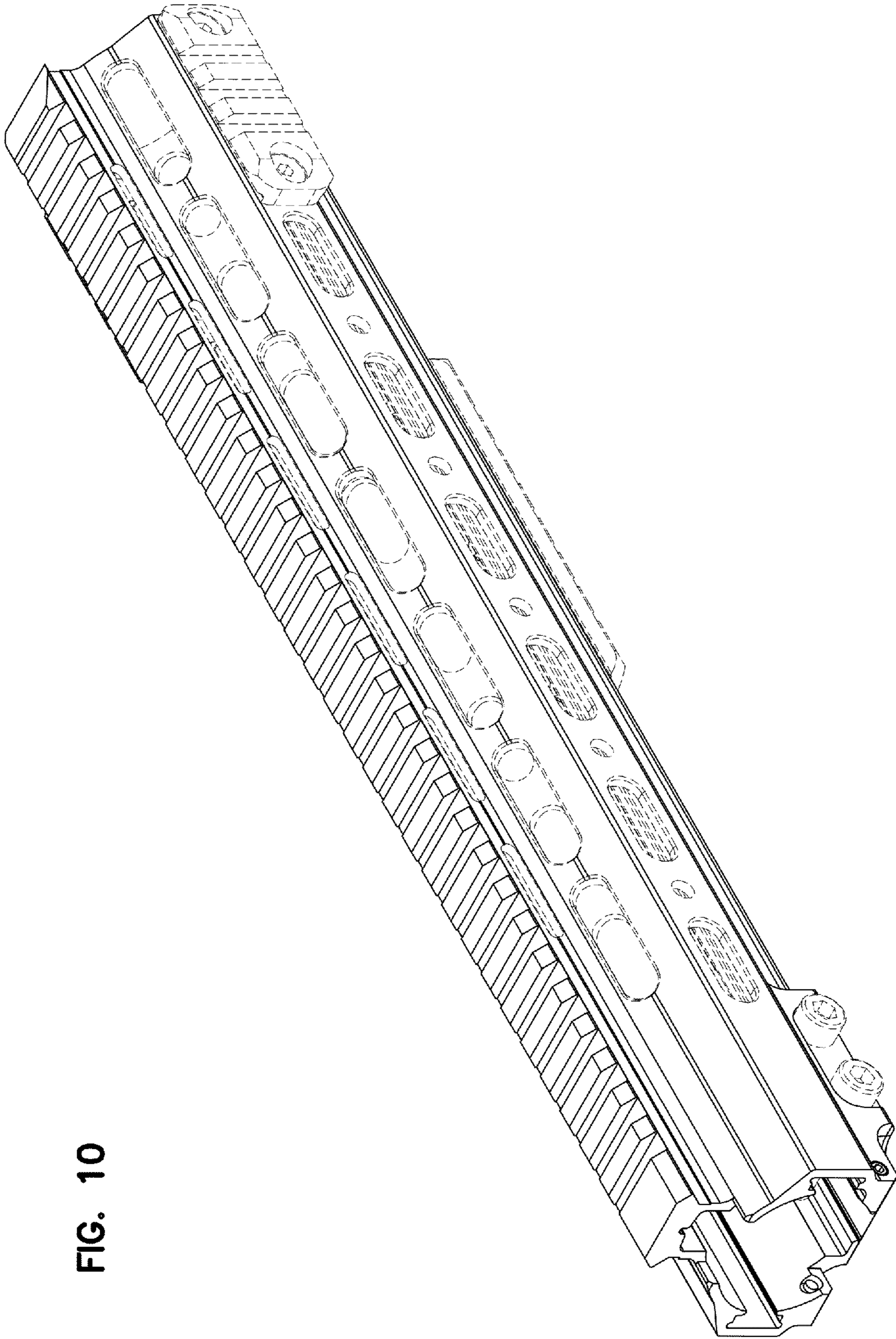


FIG. 10

FIG. 12

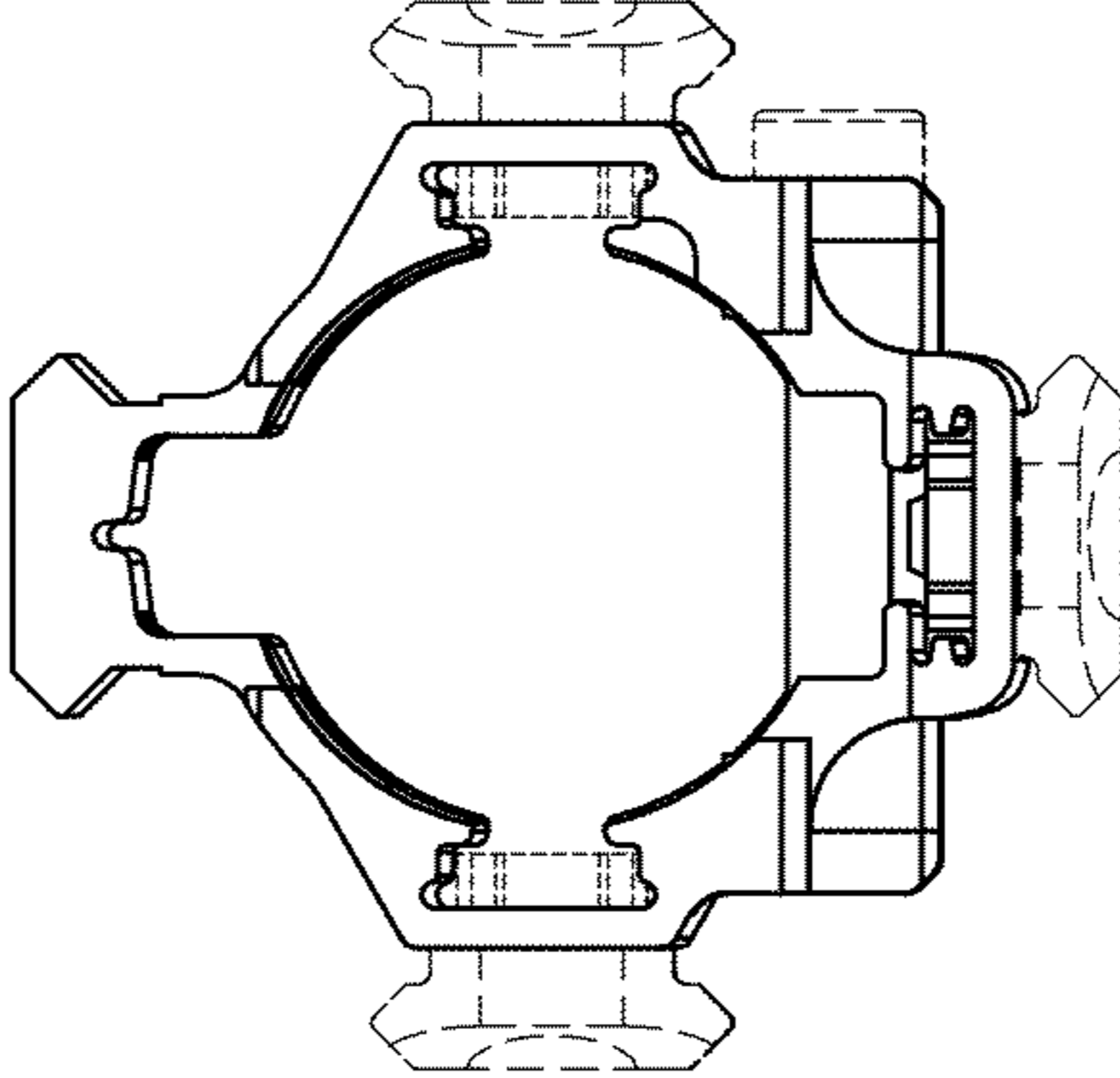


FIG. 11

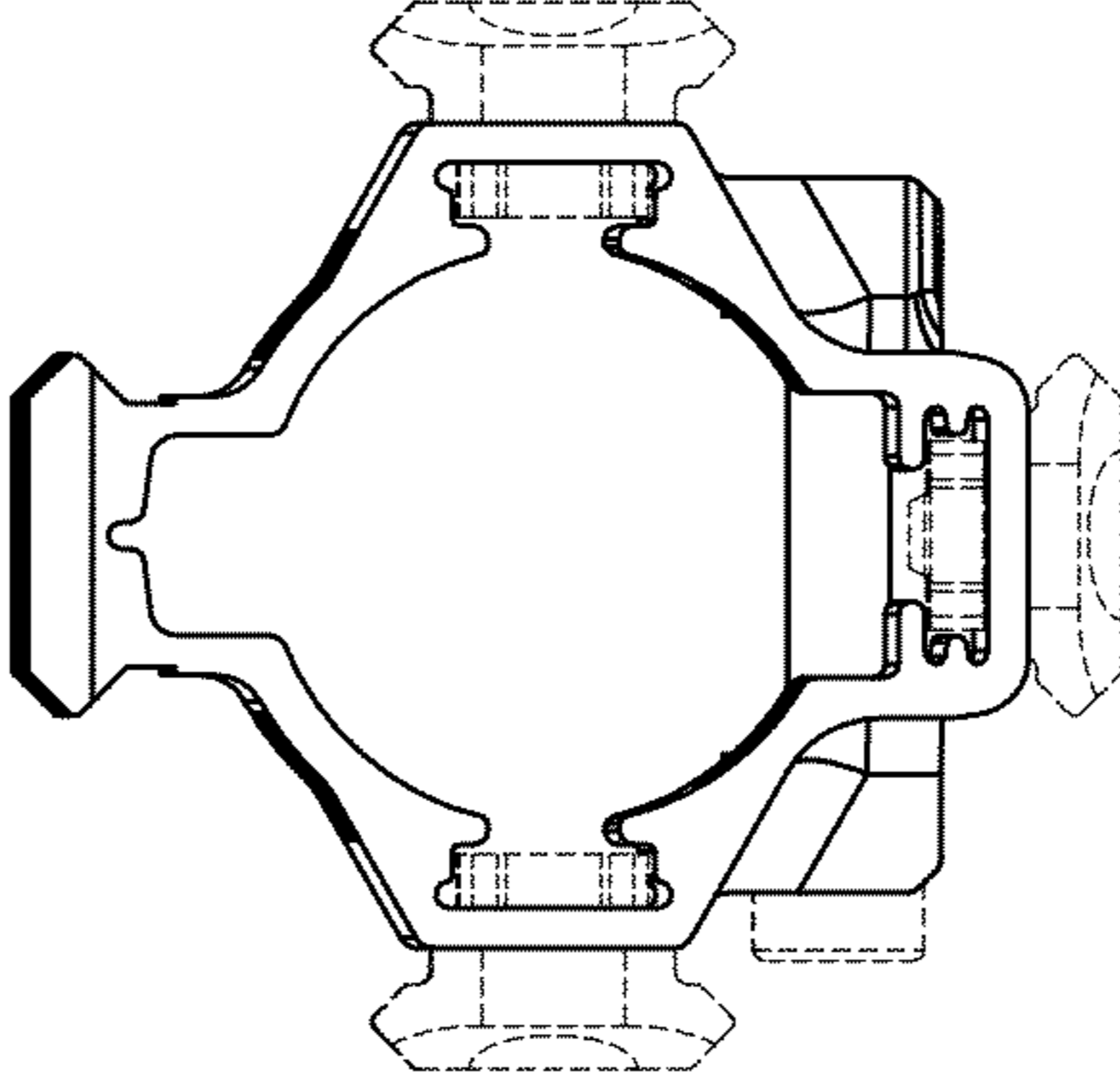


FIG. 13

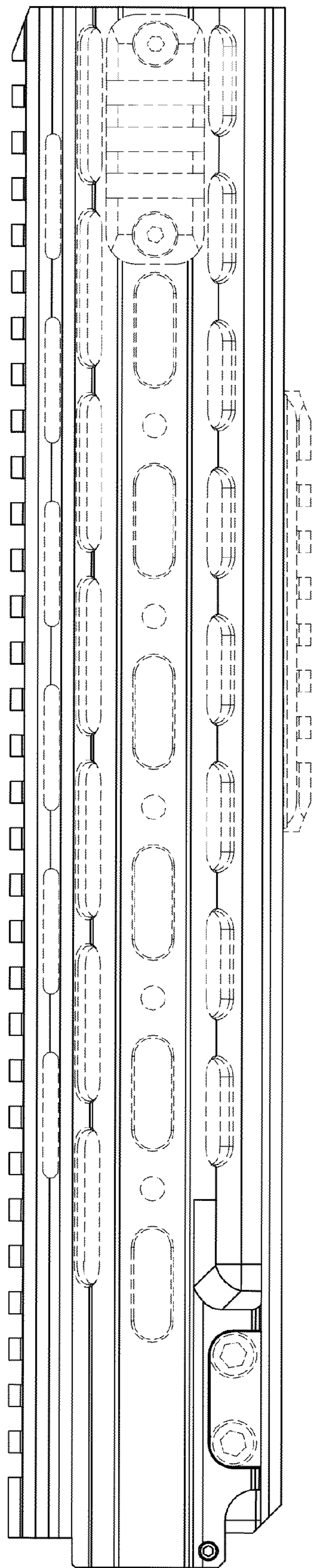


FIG. 14

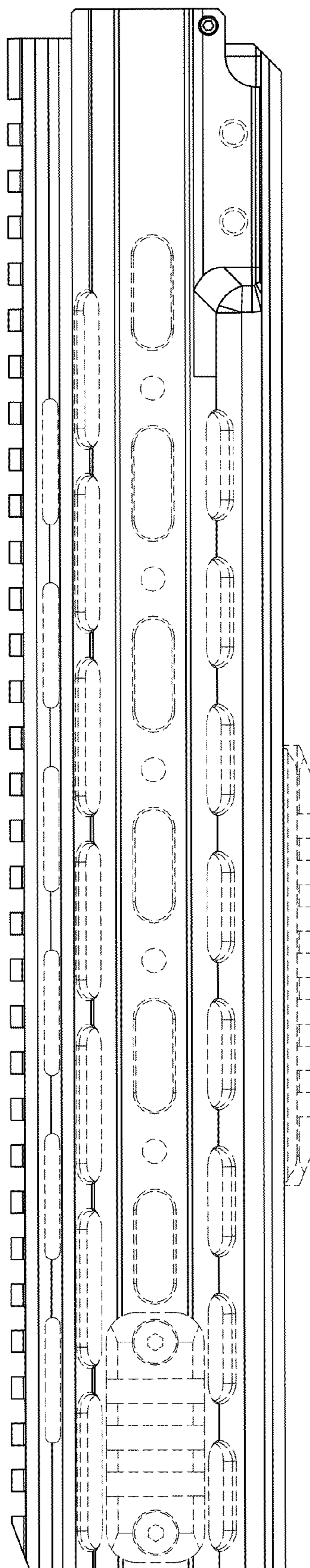


FIG. 15

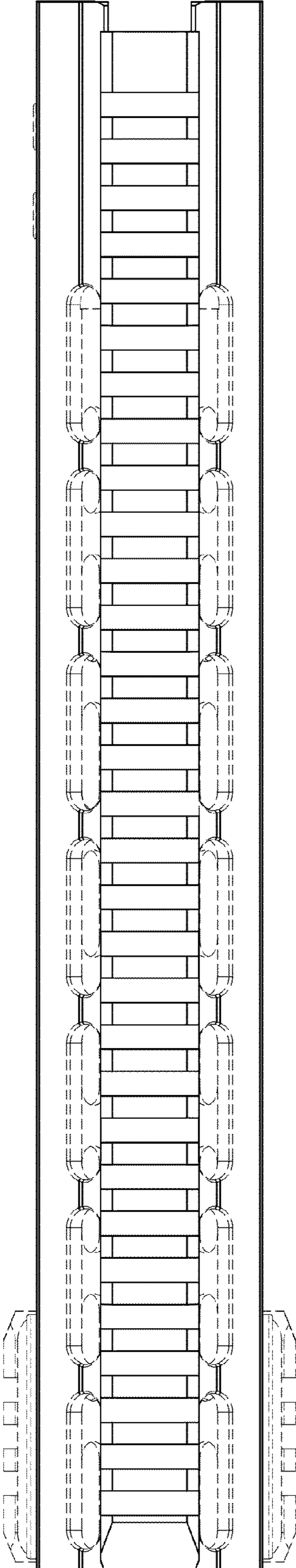


FIG. 16

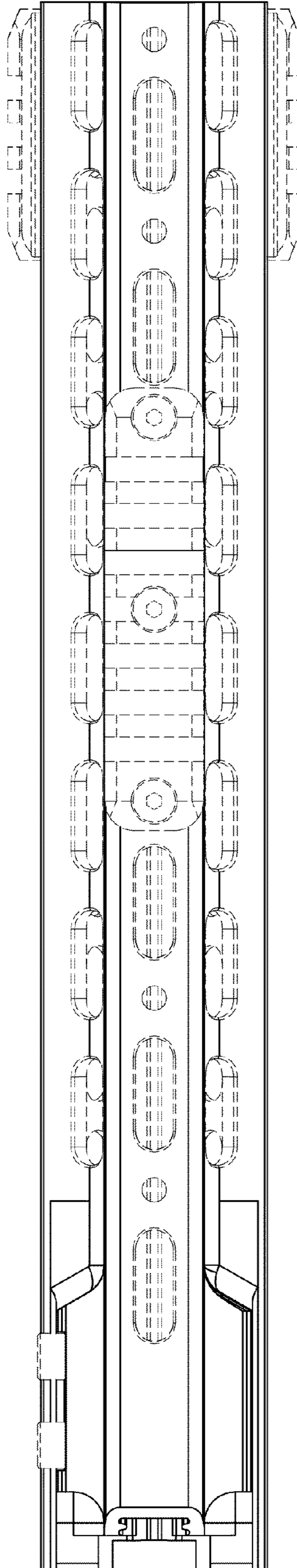
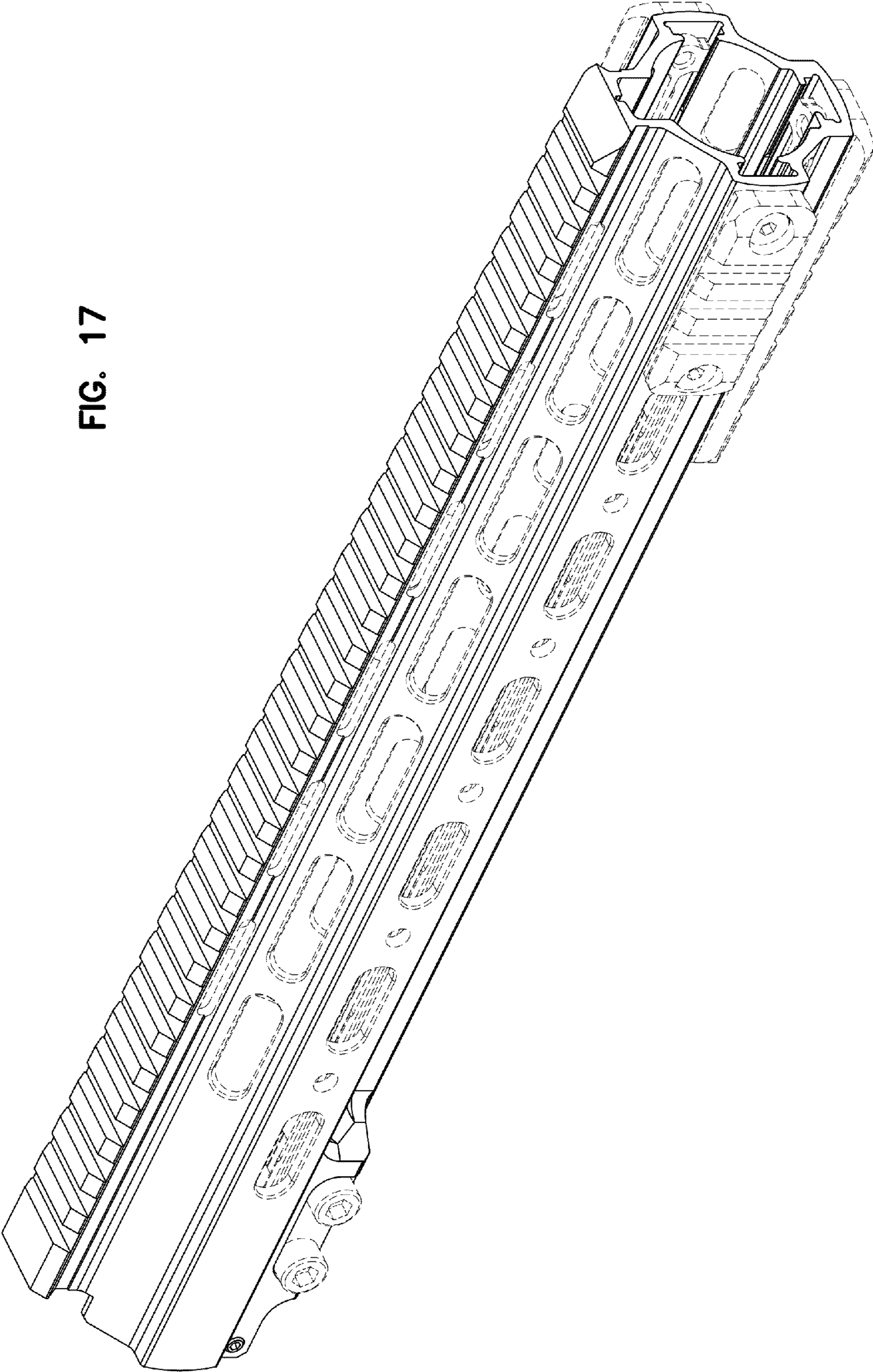


FIG. 17



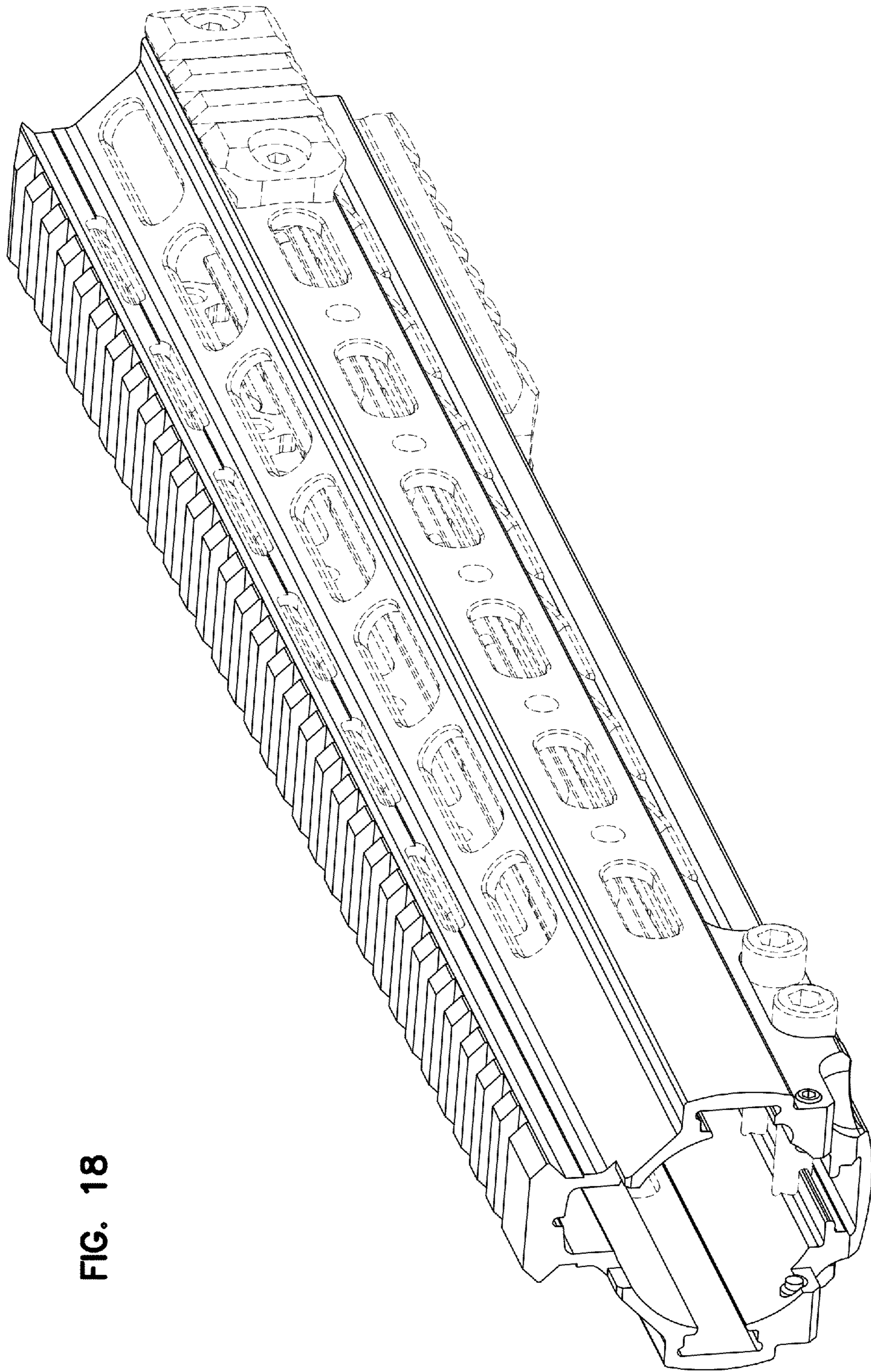


FIG. 18

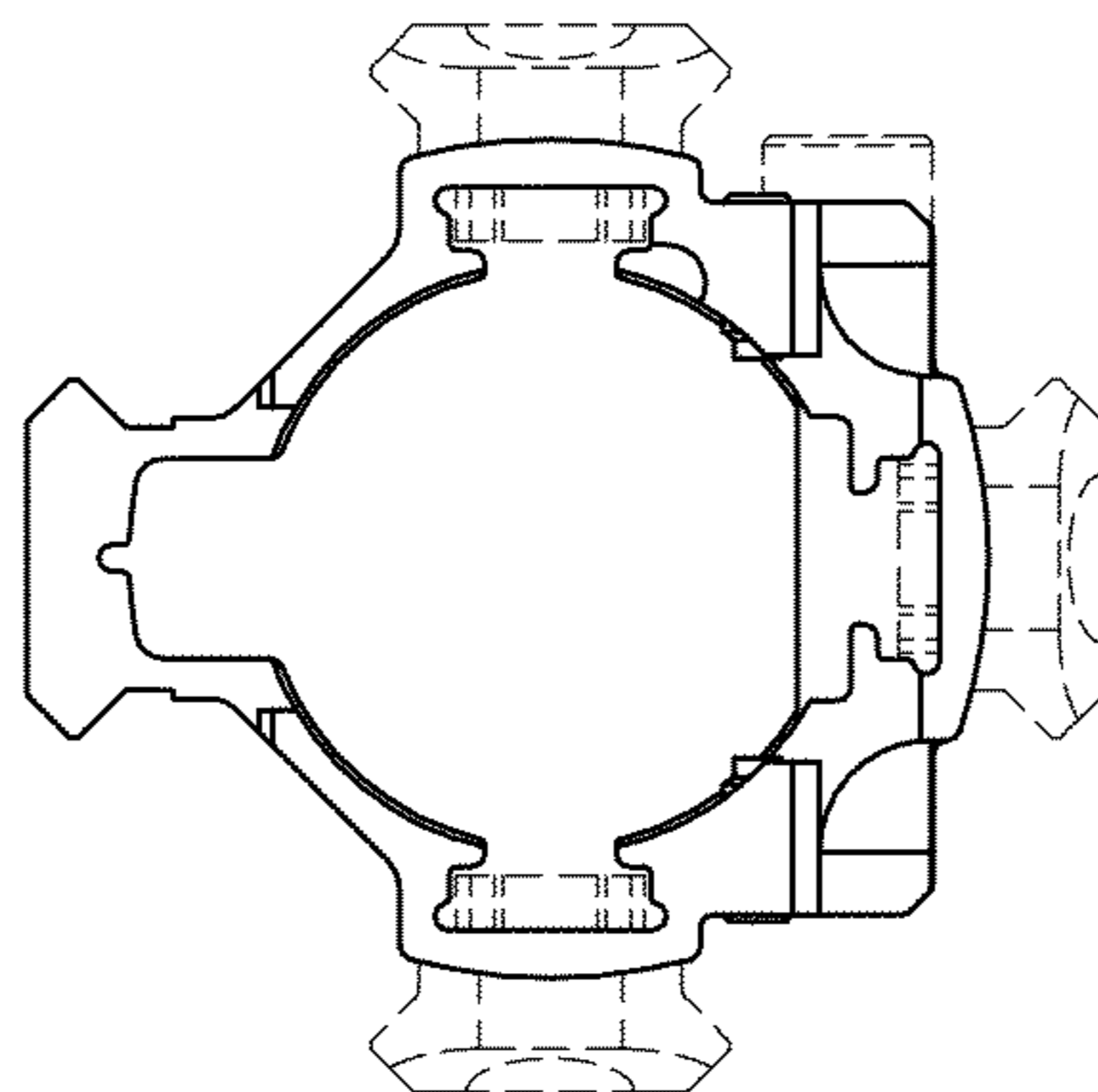


FIG. 20

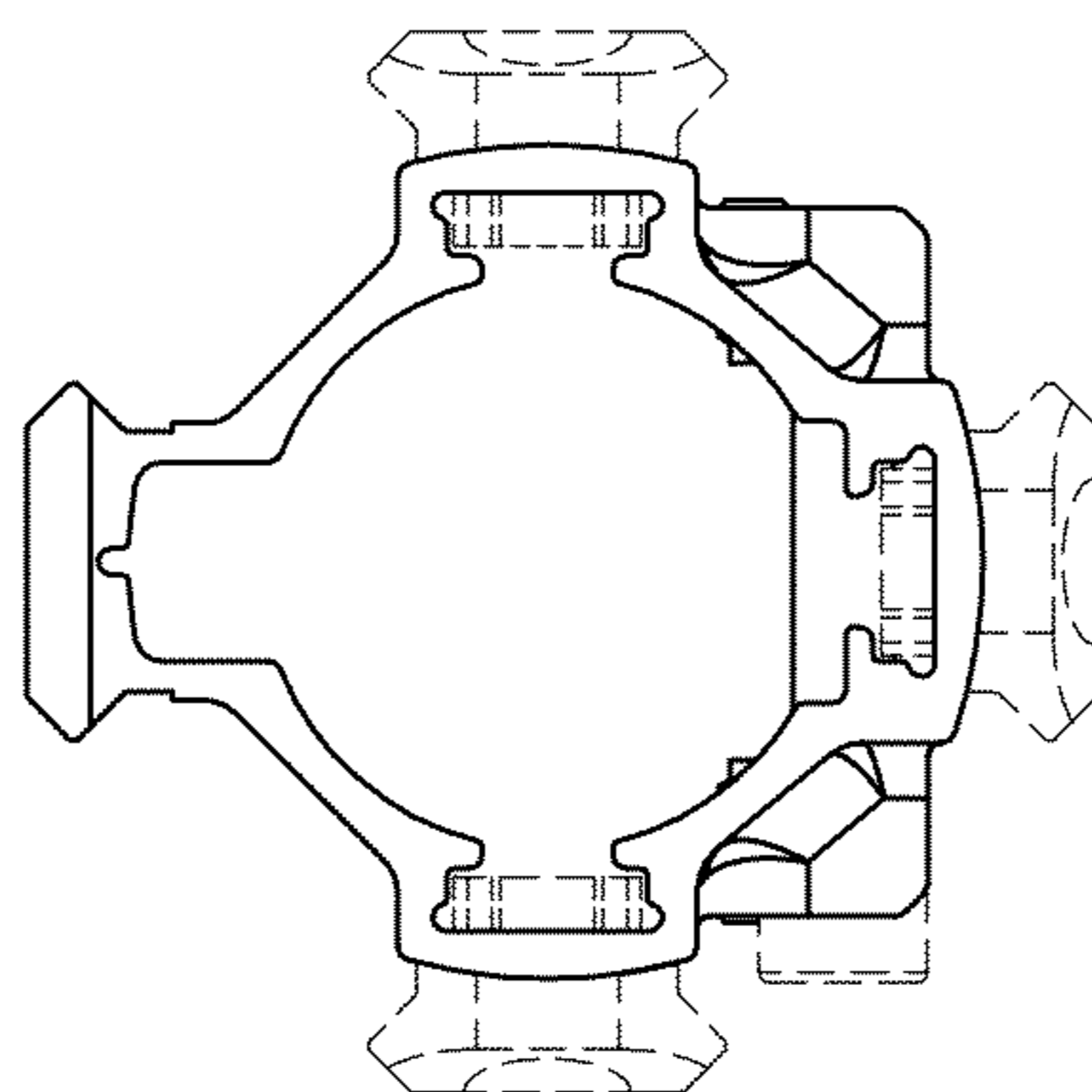


FIG. 19

FIG. 21

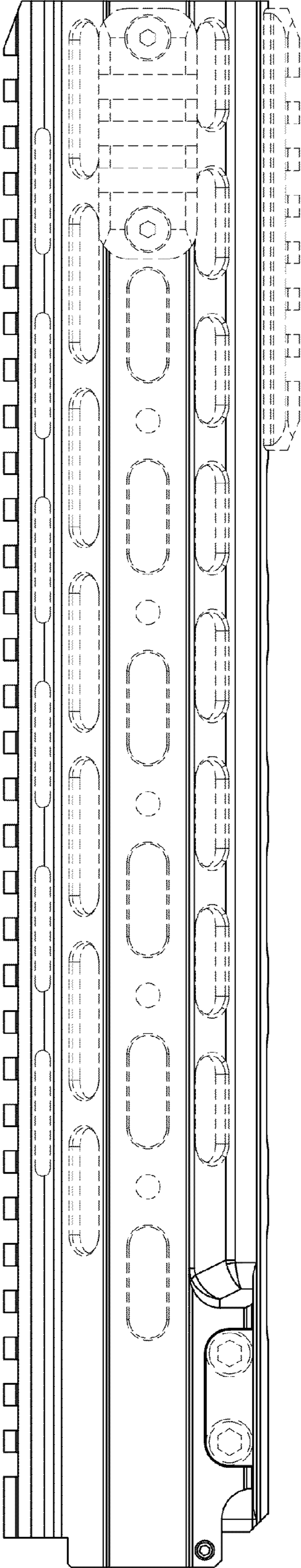


FIG. 22

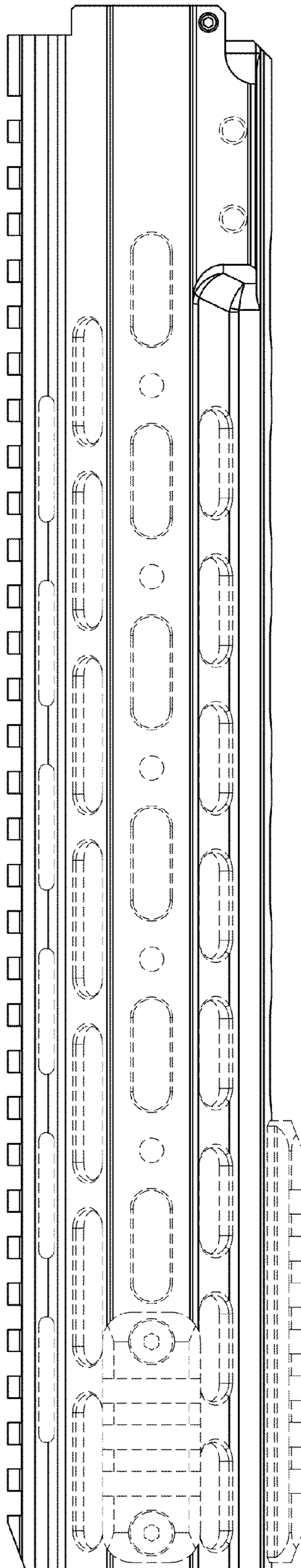


FIG. 23

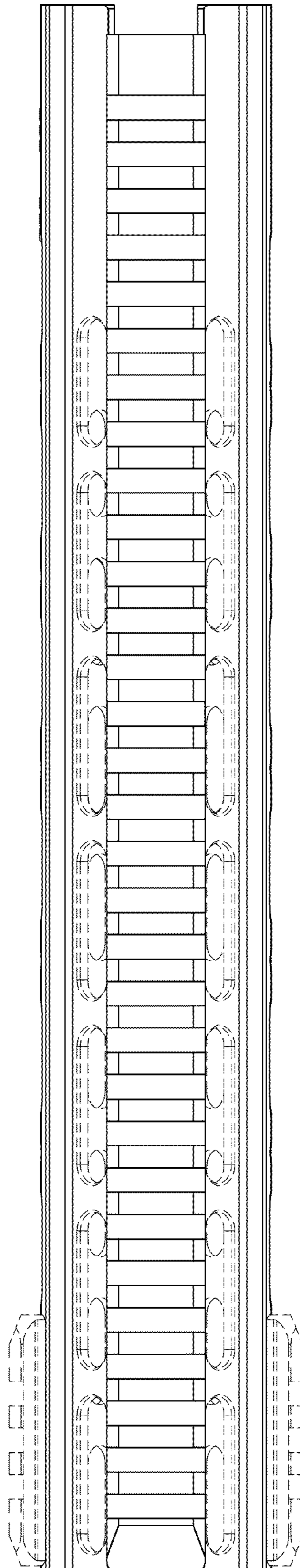


FIG. 24

