



US00D709581S

(12) **United States Design Patent**
Langevin et al.

(10) **Patent No.:** **US D709,581 S**
(45) **Date of Patent:** **** Jul. 22, 2014**

(54) **FIREARM**

(75) Inventors: **Kevin Langevin**, Berlin, CT (US);
David Camera, Meridon, CT (US);
Michael Josey, Farmington, CT (US)

(73) Assignee: **Colt's Manufacturing Company LLC**,
West Hartford, CT (US)

(**) Term: **14 Years**

(21) Appl. No.: **29/395,828**

(22) Filed: **Apr. 5, 2012**

(51) **LOC (10) Cl.** **22-01**

(52) **U.S. Cl.**
USPC **D22/108**

(58) **Field of Classification Search**
USPC D22/103; D21/572-573; 124/67, 66,
124/72, 74; 89/40.06, 41.19, 37.04, 33.04,
89/191.01, 200-204
See application file for complete search history.

(56) **References Cited**

U.S. PATENT DOCUMENTS

D544,063 S * 6/2007 Swan D22/108
D577,409 S * 9/2008 Brittingham D22/108

(Continued)

Primary Examiner — Michael A Pratt

(74) *Attorney, Agent, or Firm* — Cantor Colburn LLP

(57) **CLAIM**

We claim, the ornamental design for a firearm, as shown and described.

DESCRIPTION

FIG. 1 is a top perspective view of a first embodiment of the invention;

FIG. 2 is a right side view of the embodiment of FIG. 1;

FIG. 3 is a left side view of the embodiment of FIG. 1;

FIG. 4 is a top view of the embodiment of FIG. 1;

FIG. 5 is a bottom view of the embodiment of FIG. 1;

FIG. 6 is a front view of the embodiment of FIG. 1;

FIG. 7 is a rear view of the embodiment of FIG. 1;

FIG. 8 is a perspective view of a second embodiment of the invention;

FIG. 9 is a right side view of the embodiment of FIG. 8;

FIG. 10 is a left side view of the embodiment of FIG. 8;

FIG. 11 is a top view of the embodiment of FIG. 8;

FIG. 12 is a bottom view of the embodiment of FIG. 8;

FIG. 13 is a front view of the embodiment of FIG. 8;

FIG. 14 is a rear view of the embodiment of FIG. 8;

FIG. 15 is a top perspective view of a third embodiment of the invention;

FIG. 16 is a right side view of the embodiment of FIG. 15;

FIG. 17 is a left side view of the embodiment of FIG. 15;

FIG. 18 is a top view of the embodiment of FIG. 15;

FIG. 19 is a bottom view of the embodiment of FIG. 15;

FIG. 20 is a rear view of the embodiment of FIG. 15;

FIG. 21 is a front view of the embodiment of FIG. 15;

FIG. 22 is a perspective view illustration of a fourth embodiment of the invention;

FIG. 23 is a right side view of the embodiment of FIG. 22;

FIG. 24 is a left side view of the embodiment of FIG. 22;

FIG. 25 is a top view of the embodiment of FIG. 22;

FIG. 26 is a bottom view of the embodiment of FIG. 22;

FIG. 27 is a rear view of the embodiment of FIG. 22; and,

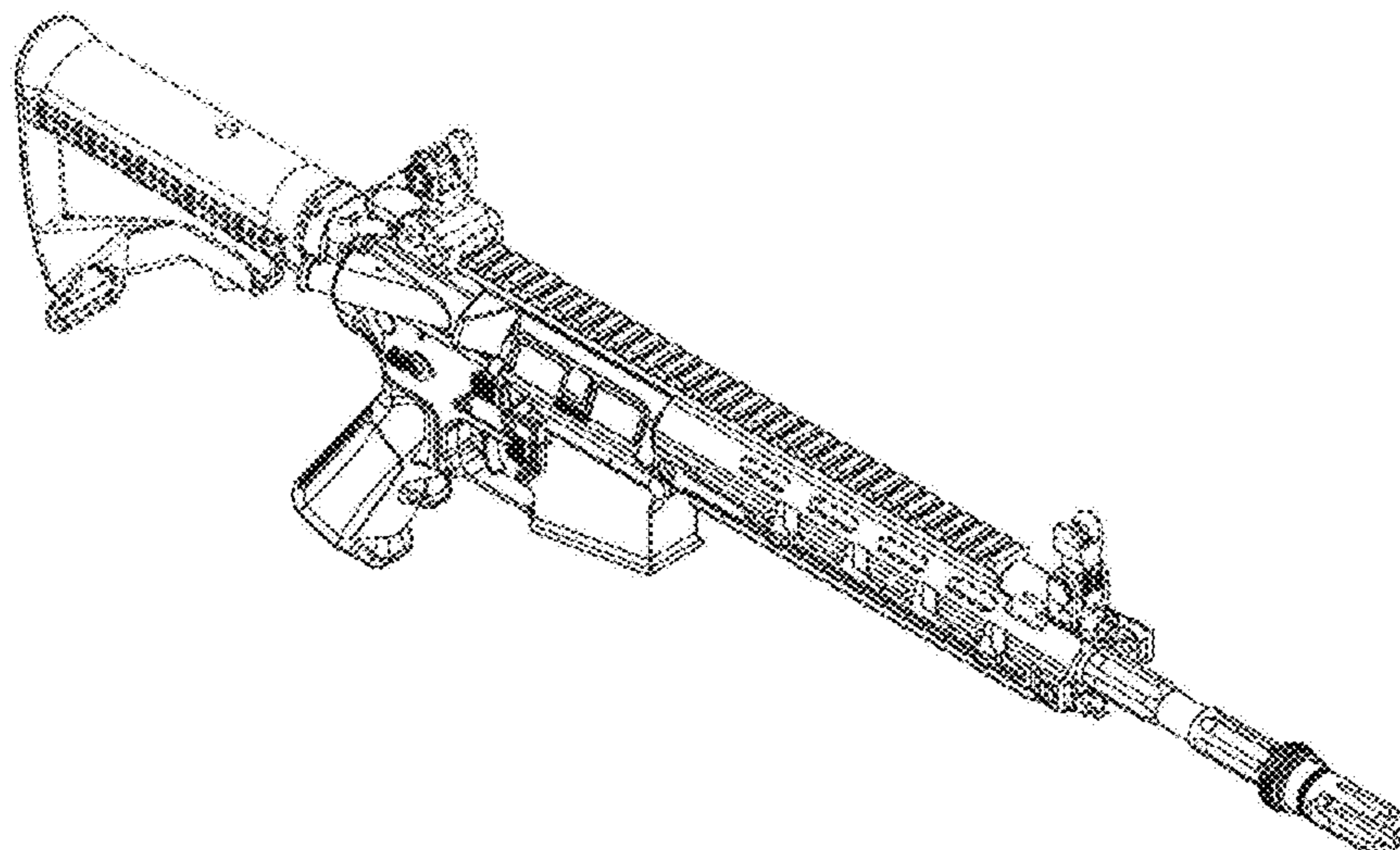
FIG. 28 is a front view of the embodiment of FIG. 22.

The phantom lines shown in FIGS. 1-28 are environmental structure and not part of the claimed design.

The features shown within the areas outlined by the phantom lines form no part of the claimed design.

The firearm according to the claimed design may be used in any orientation.

1 Claim, 16 Drawing Sheets



(56)

References Cited

U.S. PATENT DOCUMENTS

7,775,150	B2 *	8/2010	Hochstrate et al.	89/193	D674,859	S *	1/2013	Robbins et al.	D22/108
7,938,055	B2 *	5/2011	Hochstrate et al.	89/193	8,342,075	B2 *	1/2013	Gomez	89/191.01
8,051,595	B2 *	11/2011	Hochstrate et al.	42/75.01	8,387,513	B2 *	3/2013	Gomez et al.	89/191.01
8,220,946	B1 *	7/2012	Teetzel	362/110	2009/0178325	A1 *	7/2009	Veilleux	42/117
D671,611	S *	11/2012	Trusty	D22/108	2011/0185617	A1 *	8/2011	Brixius	42/71.01
8,307,750	B2 *	11/2012	Vuksanovich et al.	89/191.01	2012/0085226	A1 *	4/2012	Thiele et al.	89/191.01
					2012/0152104	A1 *	6/2012	Audibert et al.	89/191.01
					2012/0297656	A1 *	11/2012	Langevin et al.	42/16
					2013/0068089	A1 *	3/2013	Brown	89/193

* cited by examiner

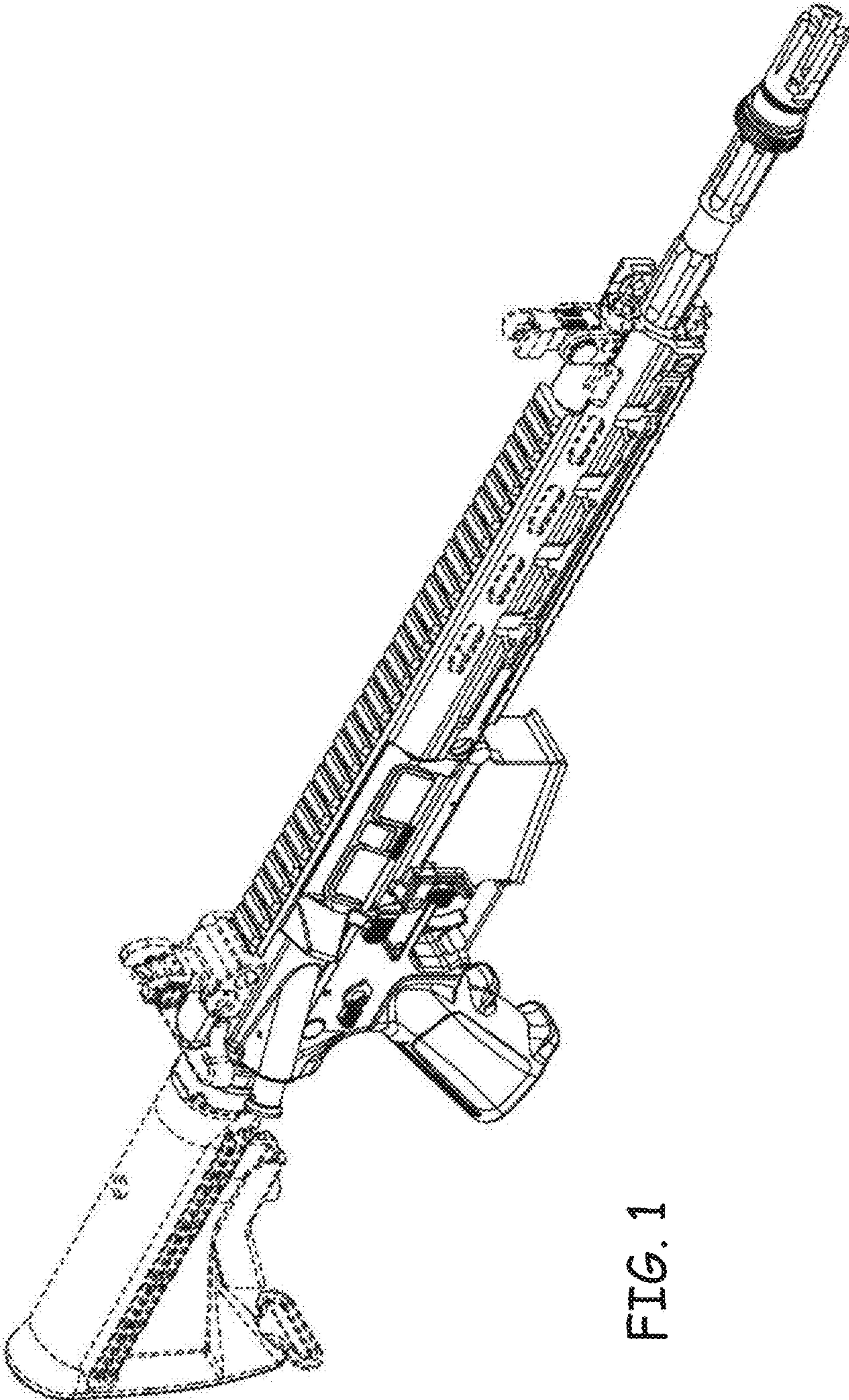


FIG. 1

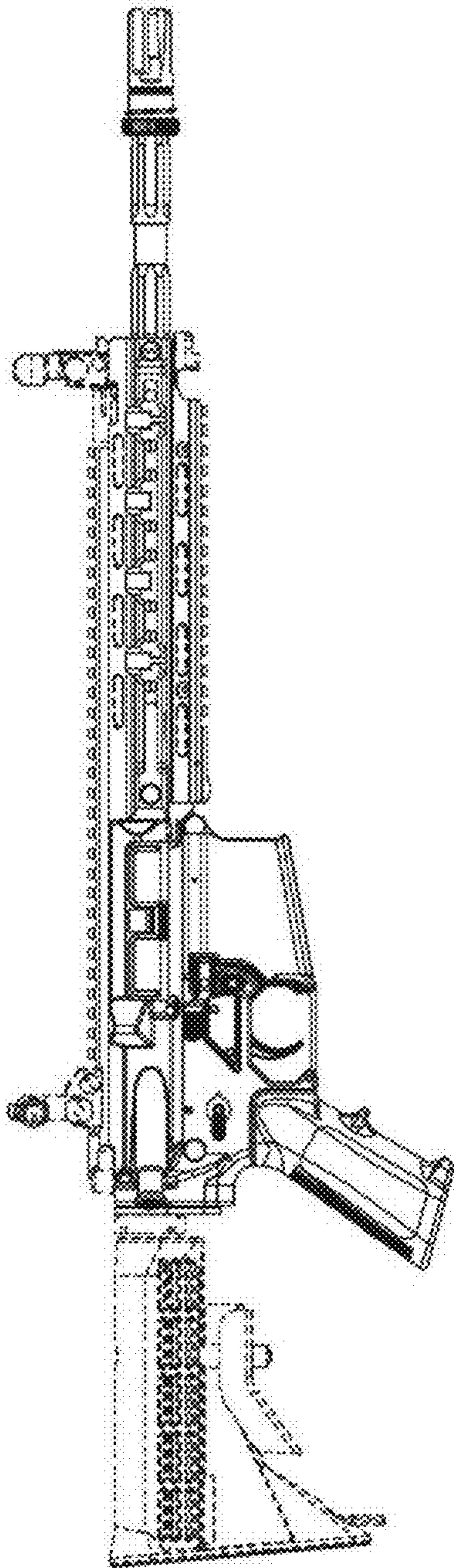


FIG. 2

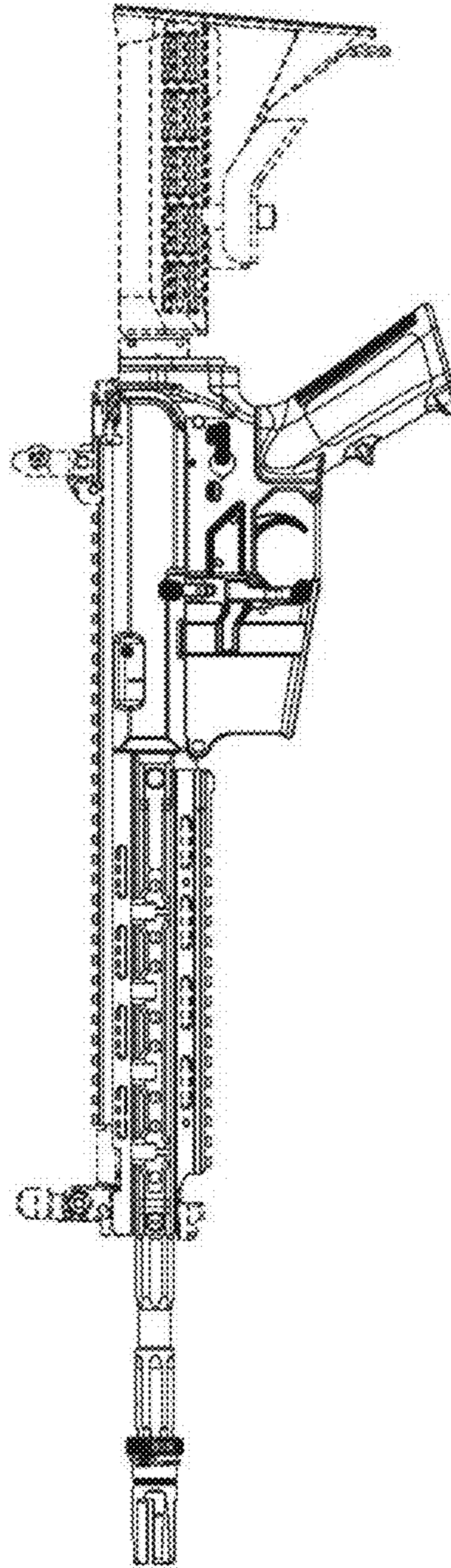


FIG. 3

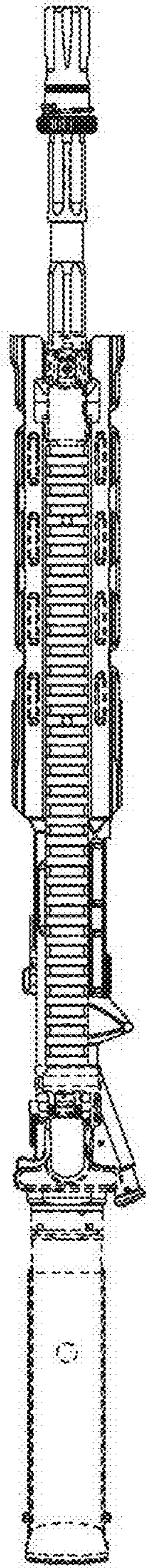


FIG. 4

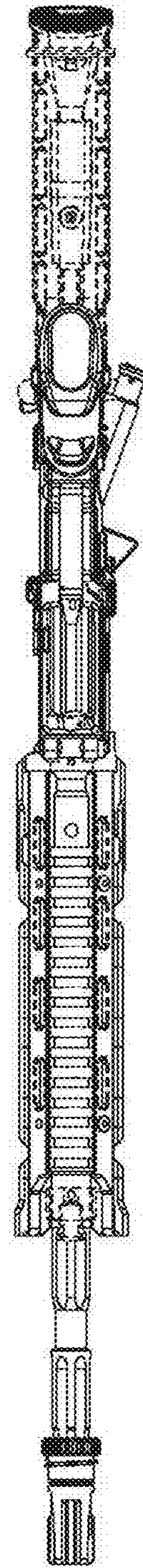


FIG. 5

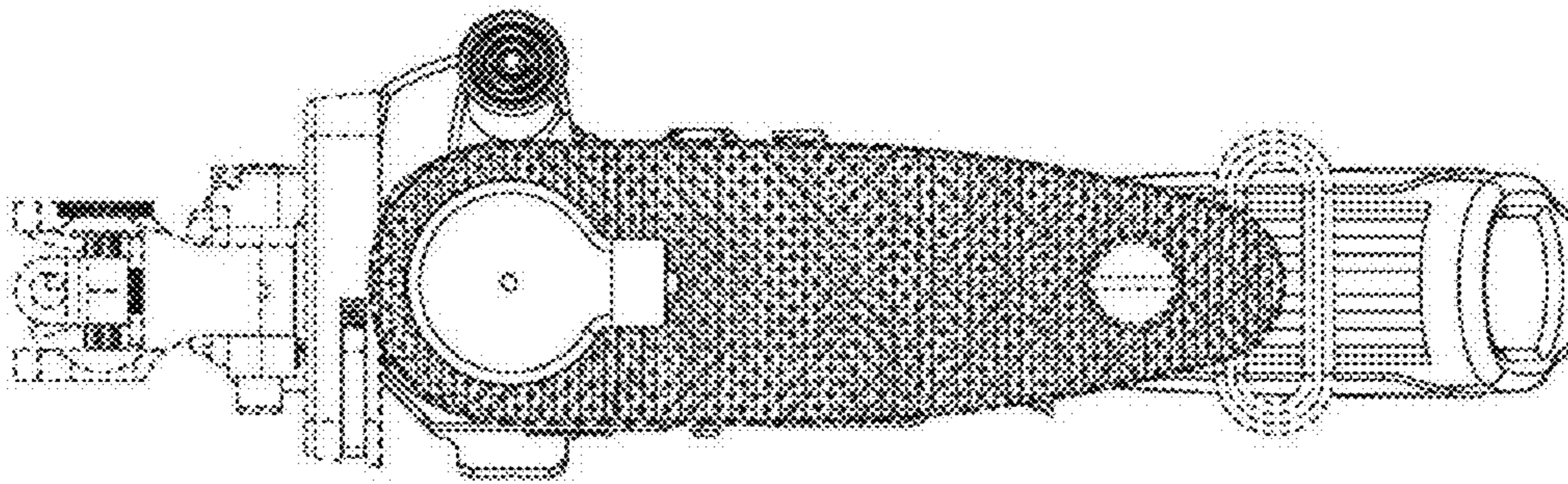


FIG. 7

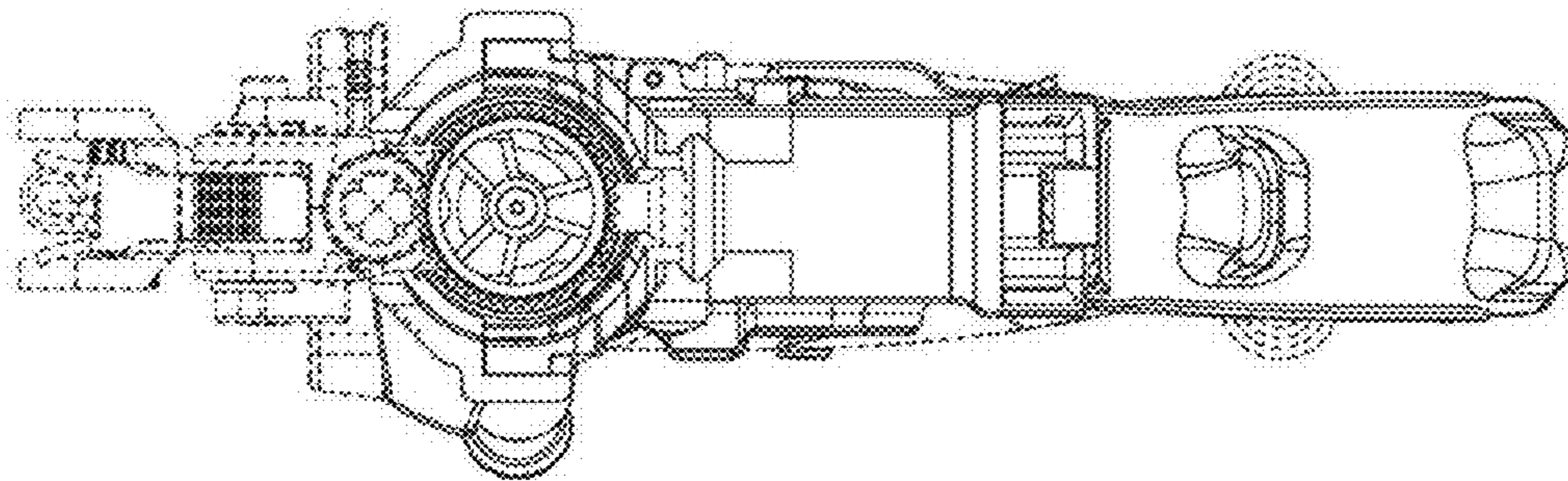


FIG. 6

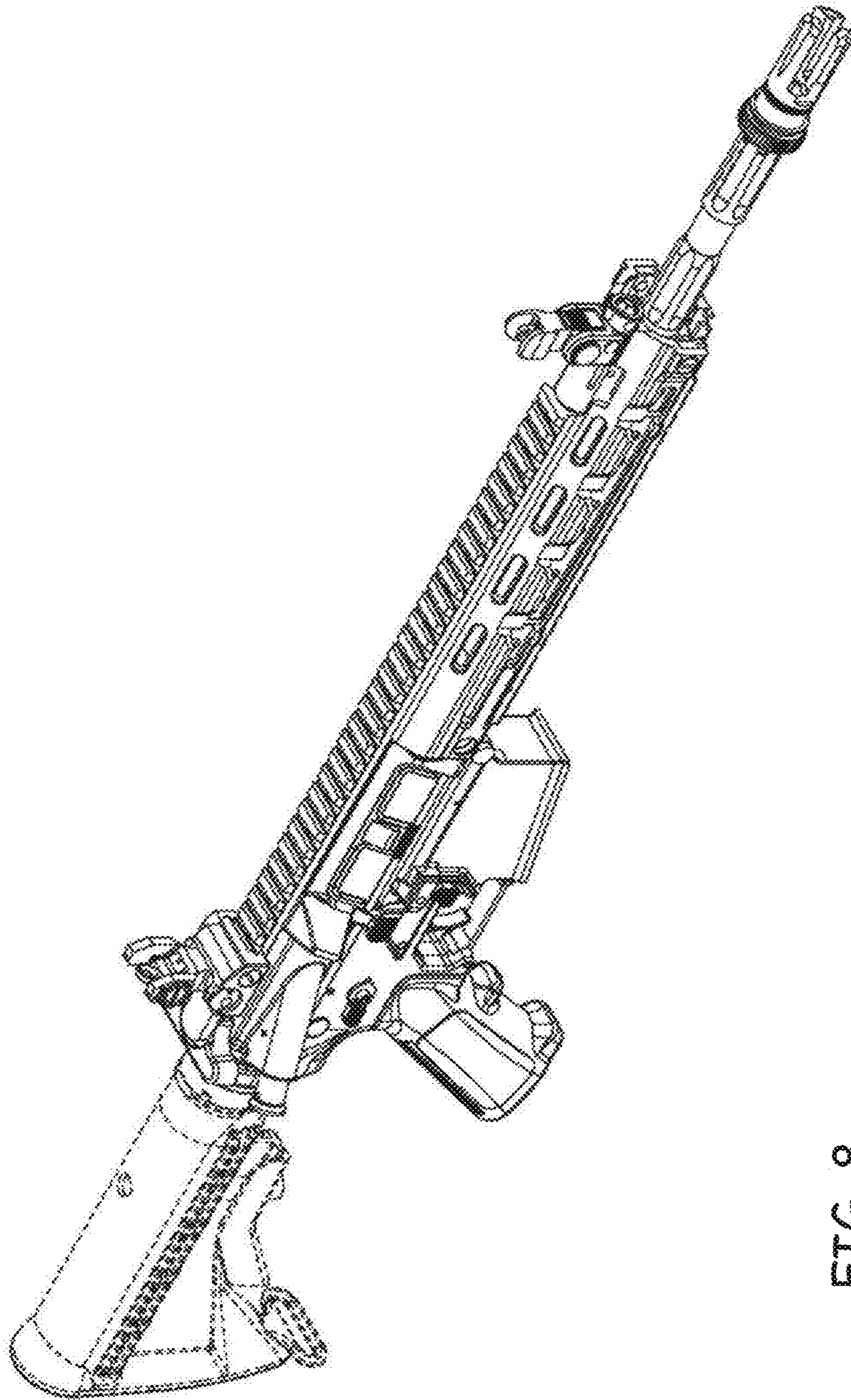


FIG. 8

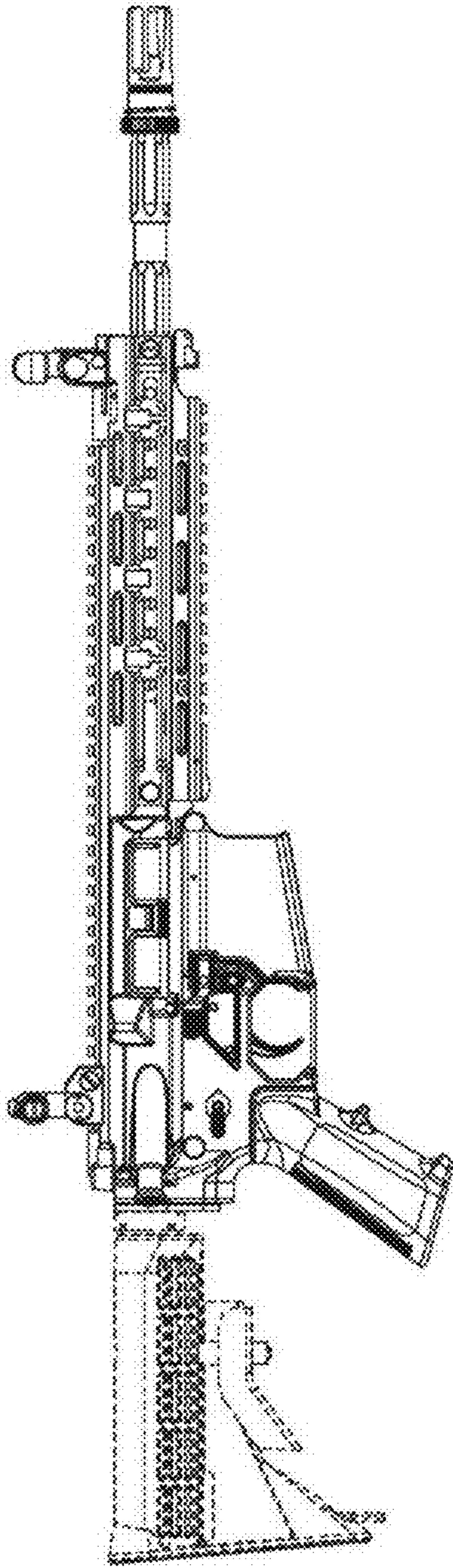


FIG. 9

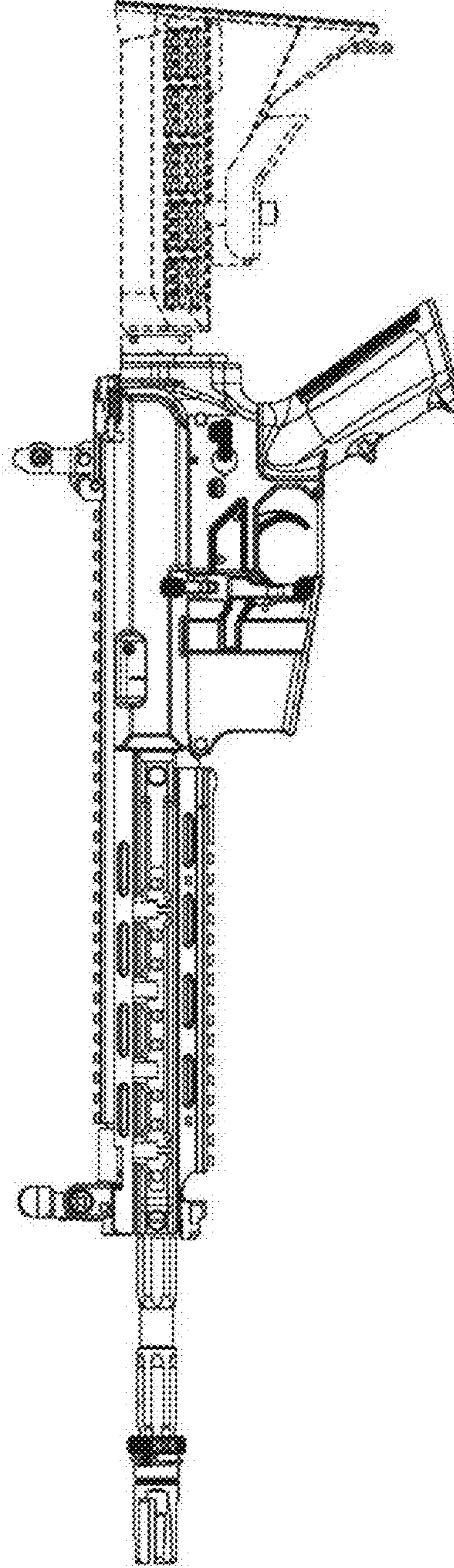


FIG. 10

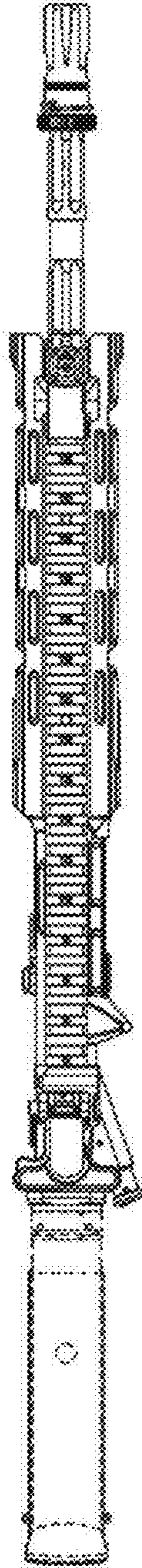


FIG. 11

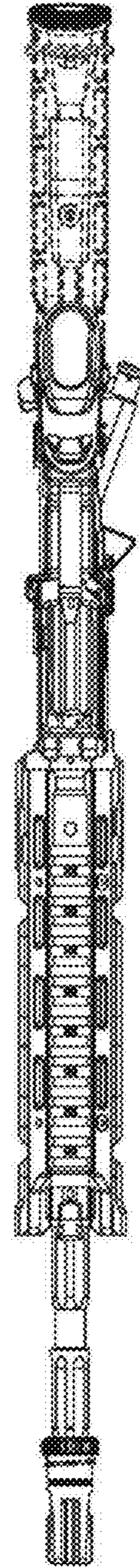


FIG. 12

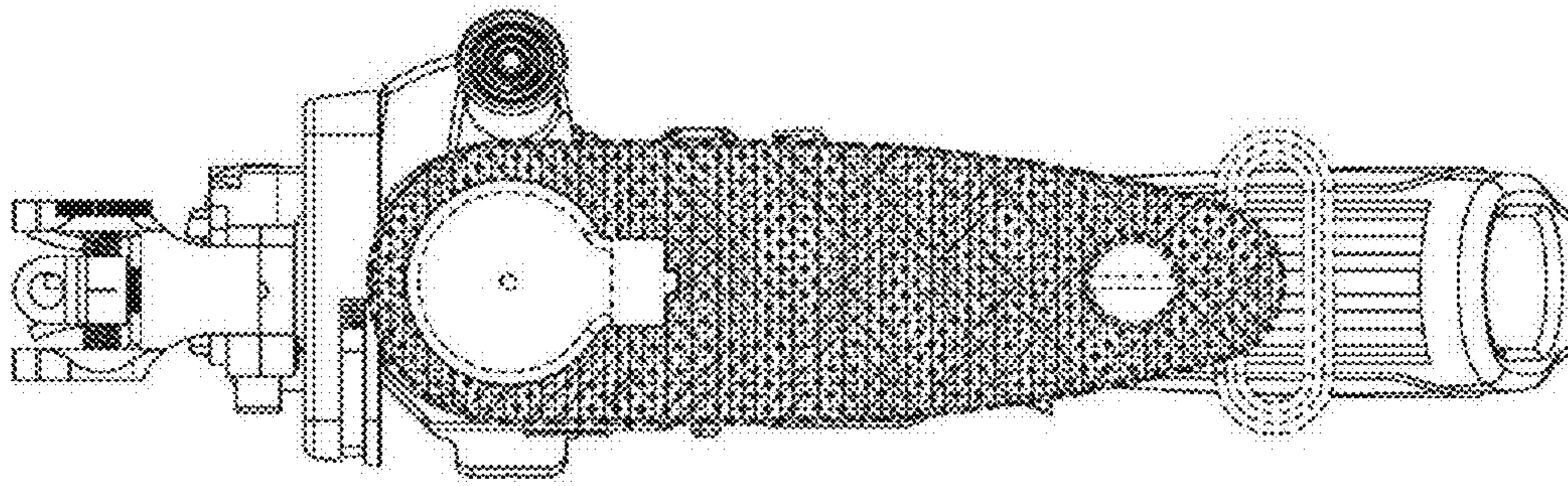


FIG. 14

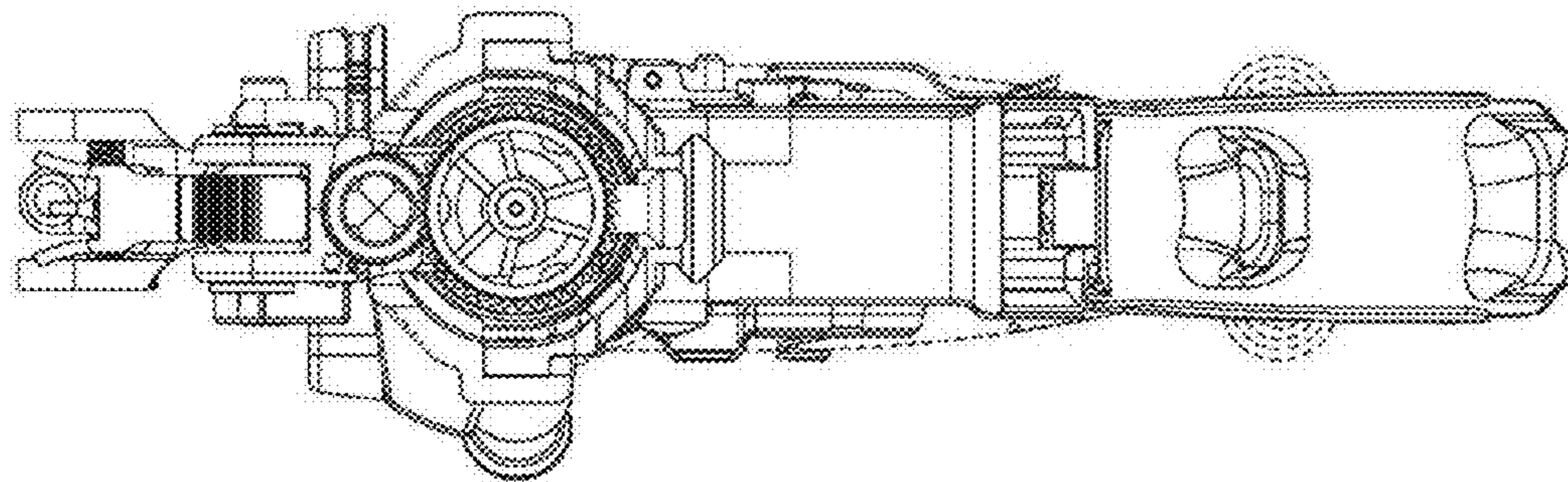


FIG. 13

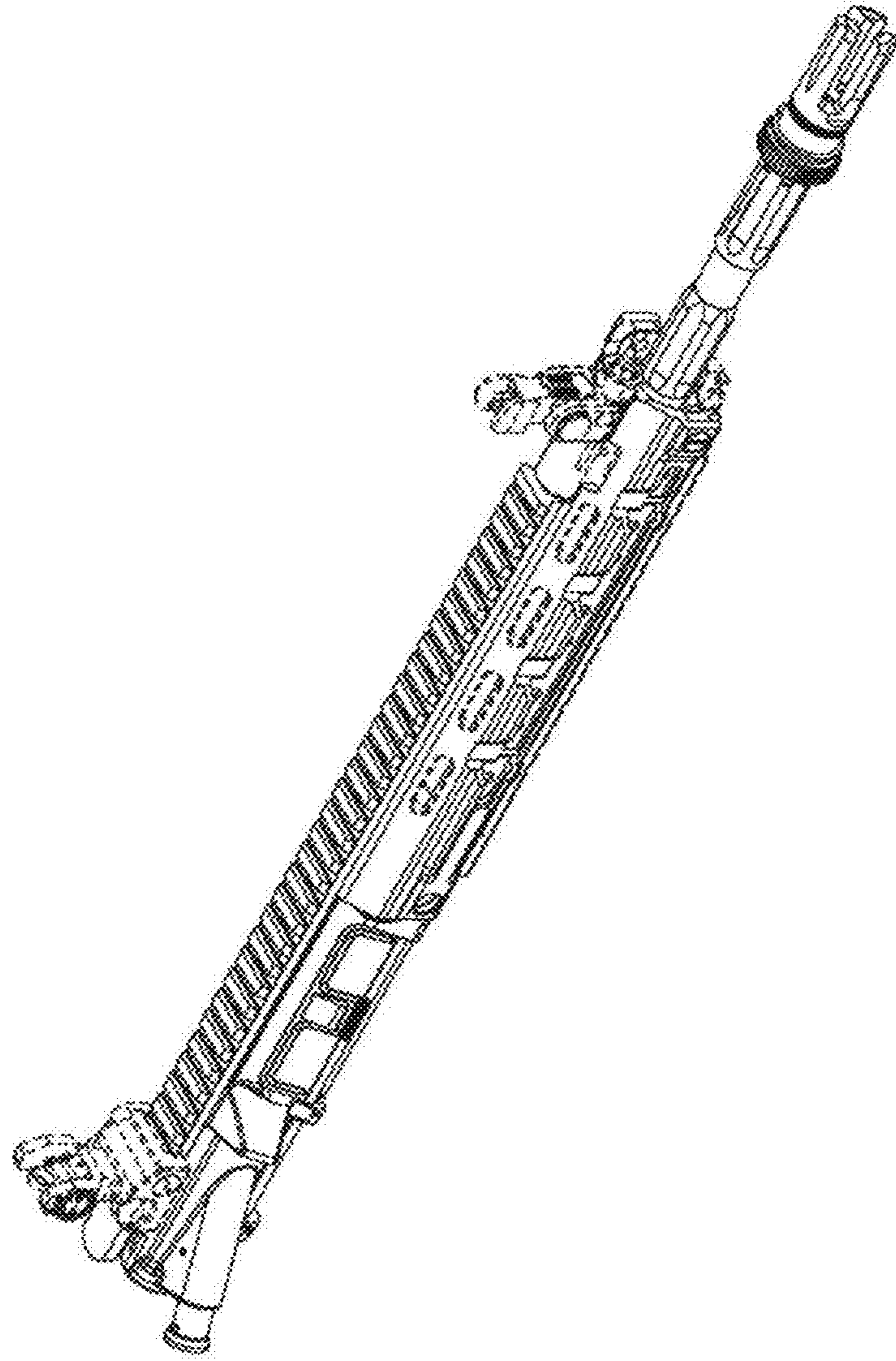


FIG. 15

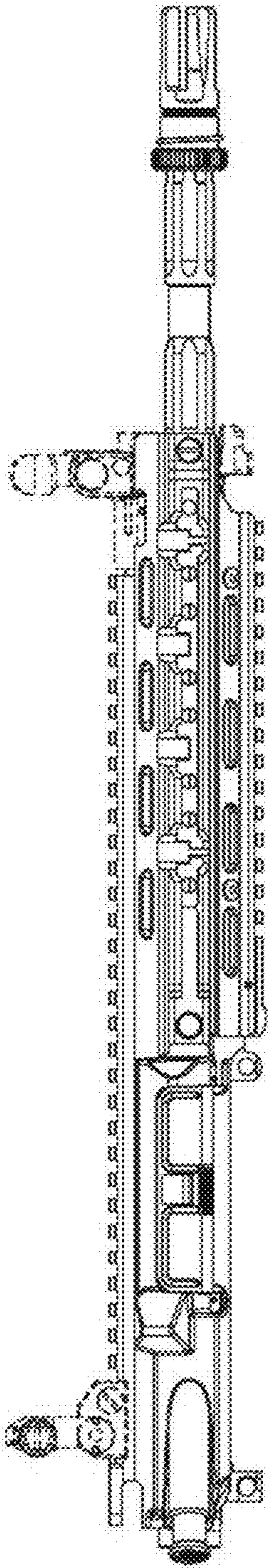


FIG. 16

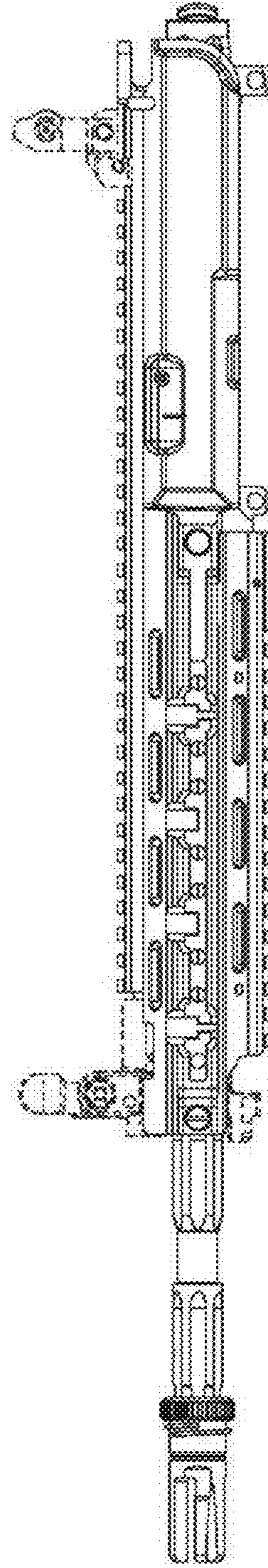


FIG. 17

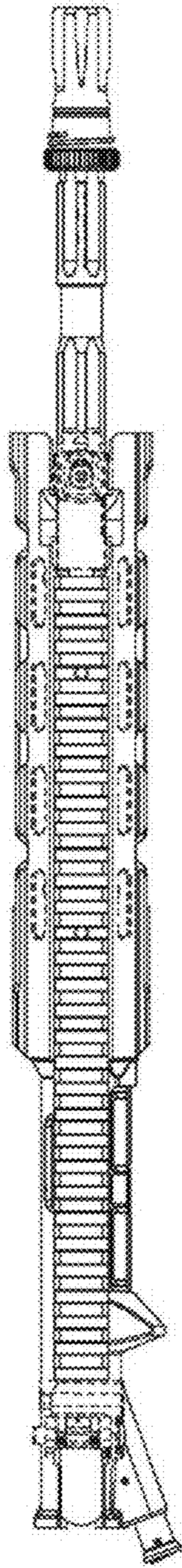


FIG. 18

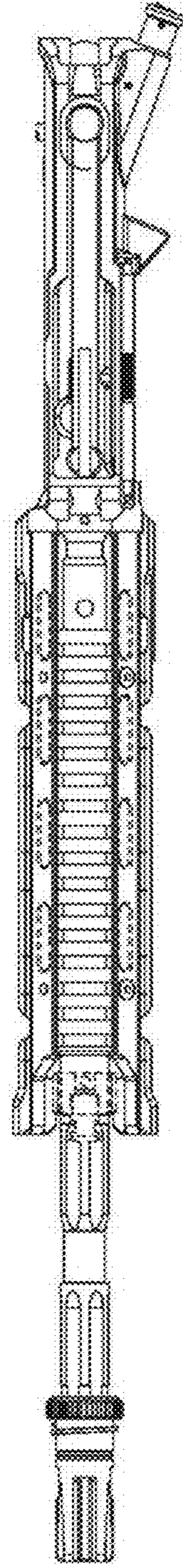


FIG. 19

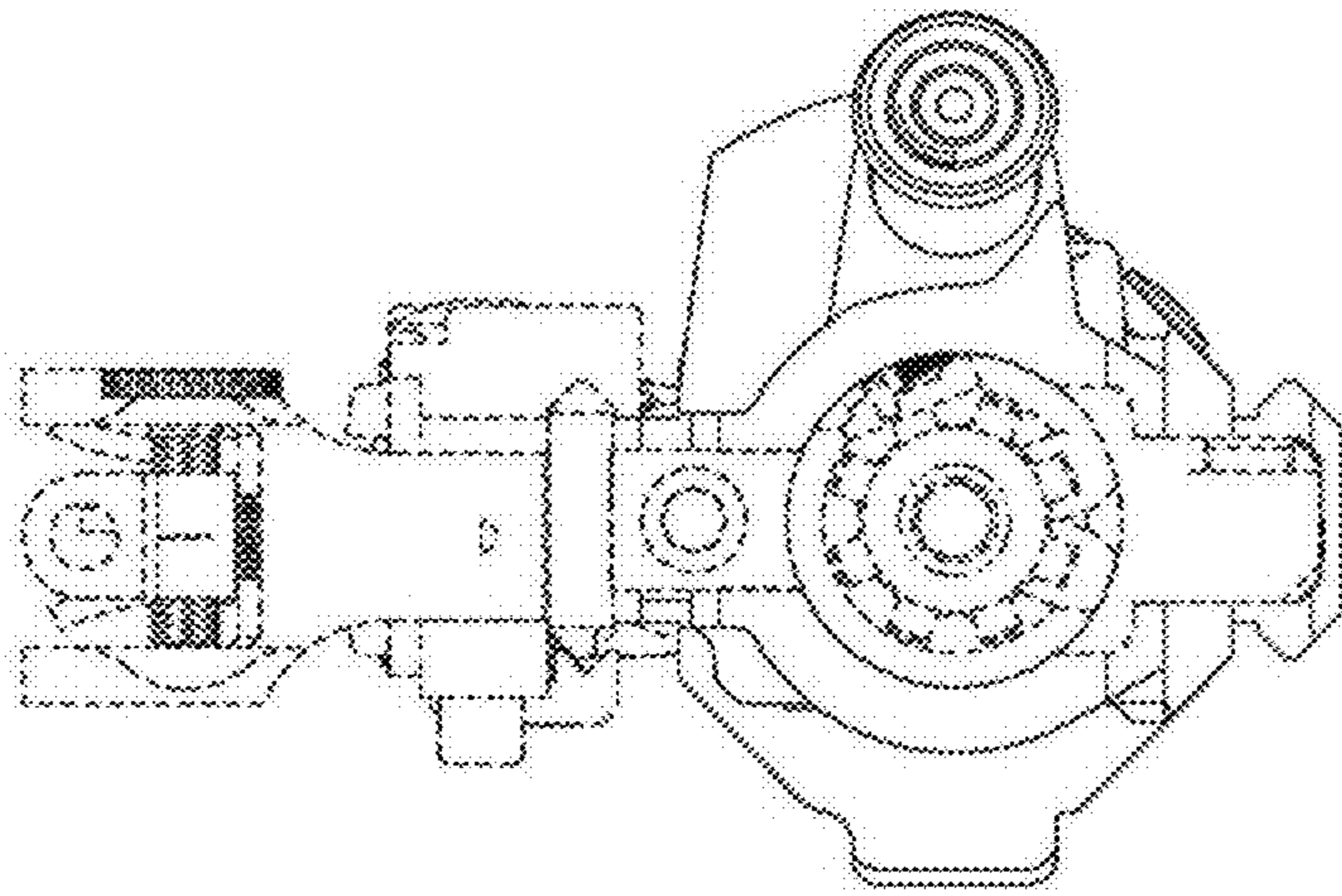


FIG. 20

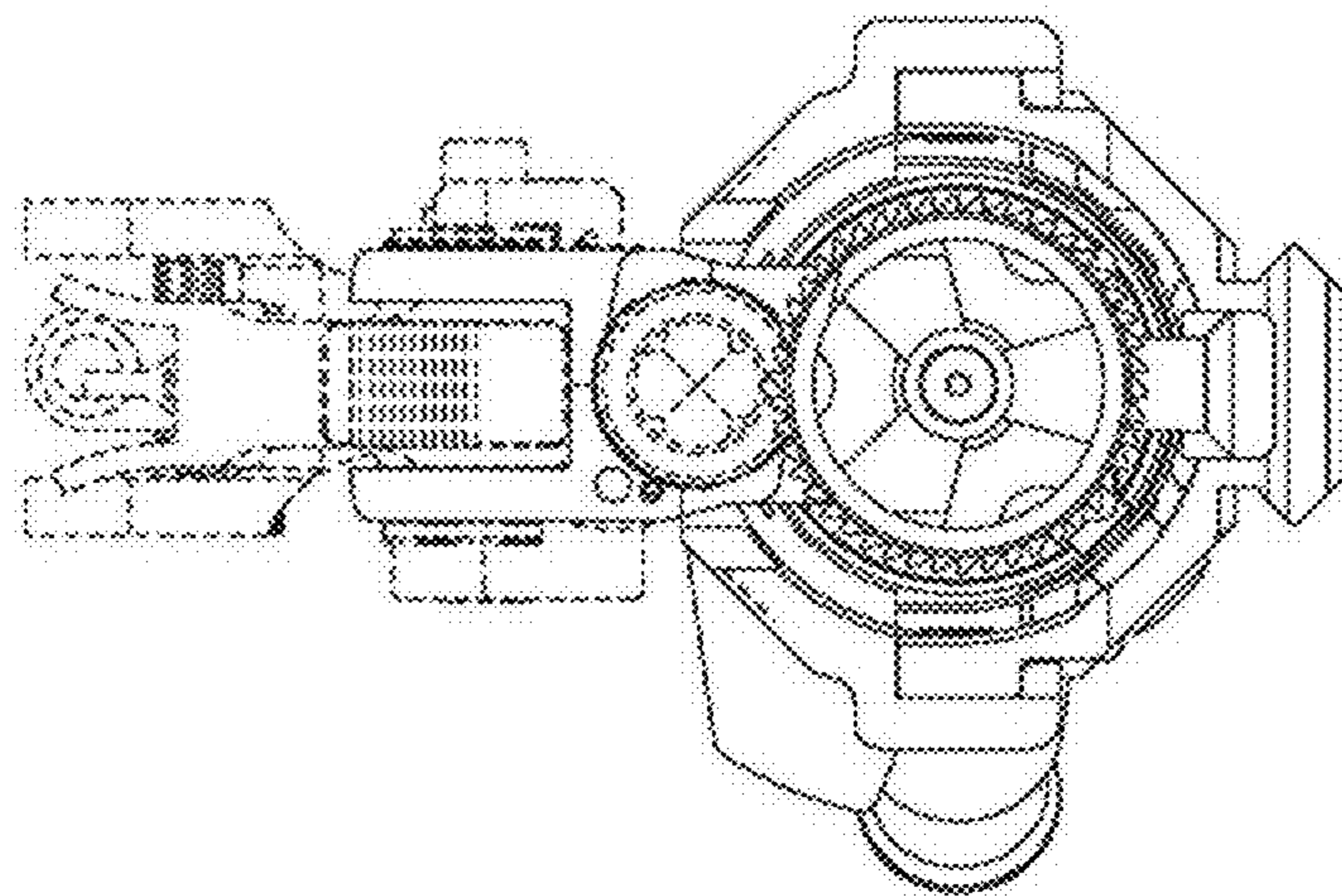


FIG. 21

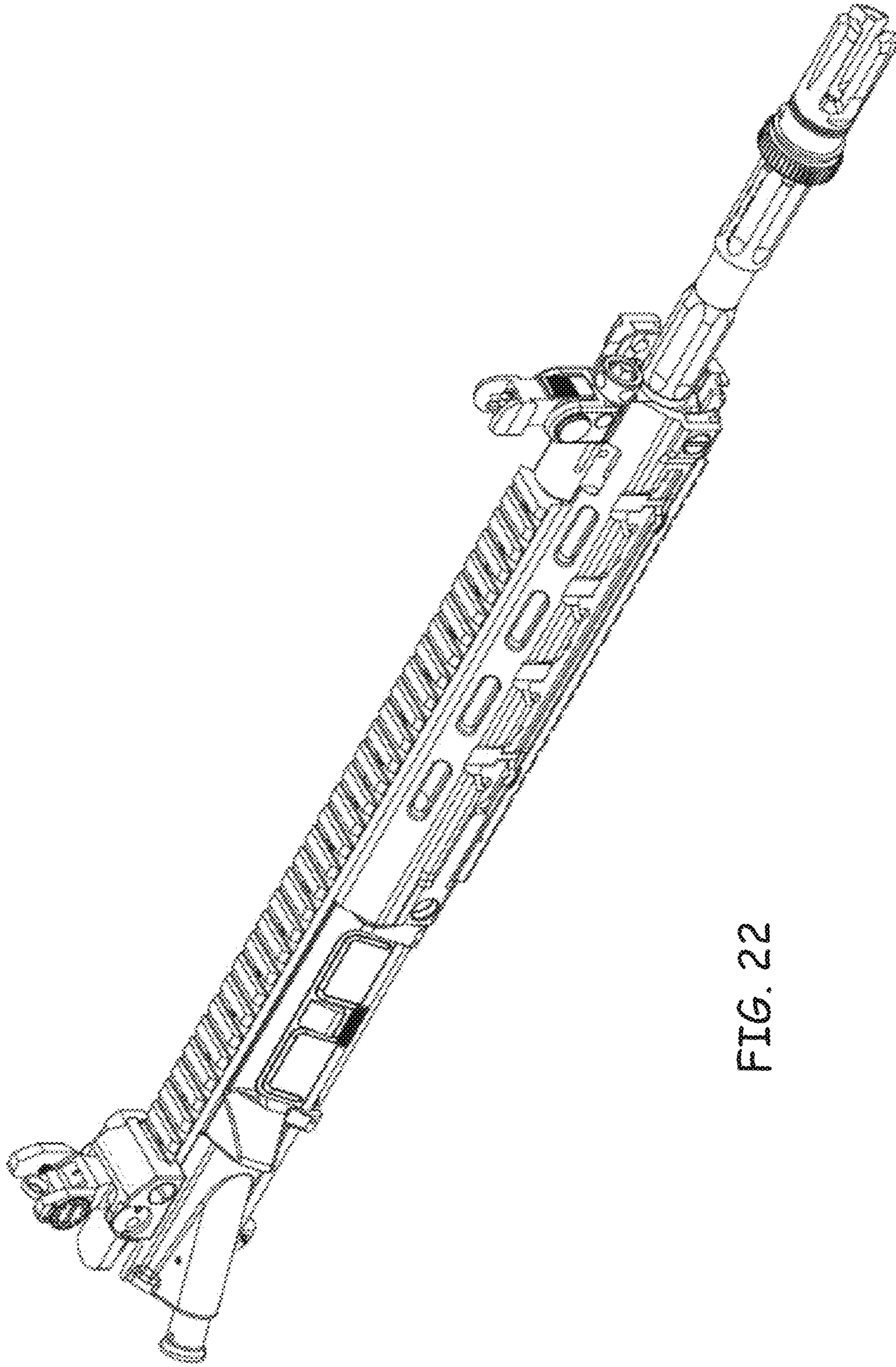


FIG. 22

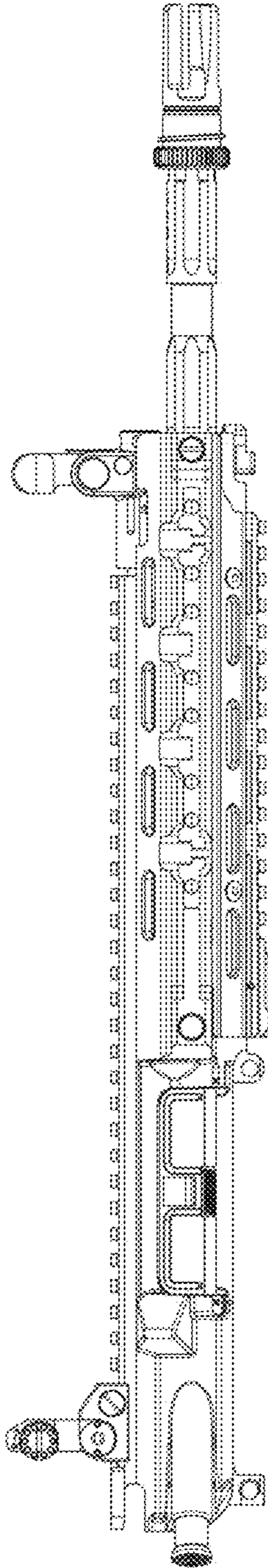


FIG. 23

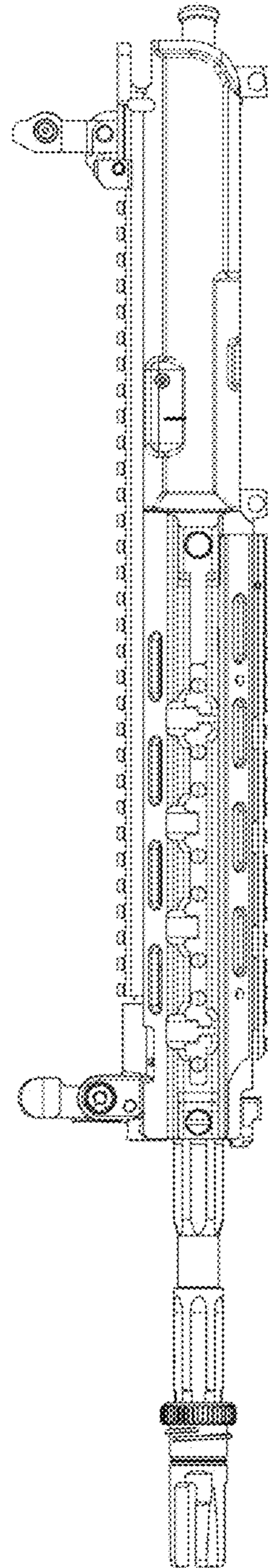


FIG. 24

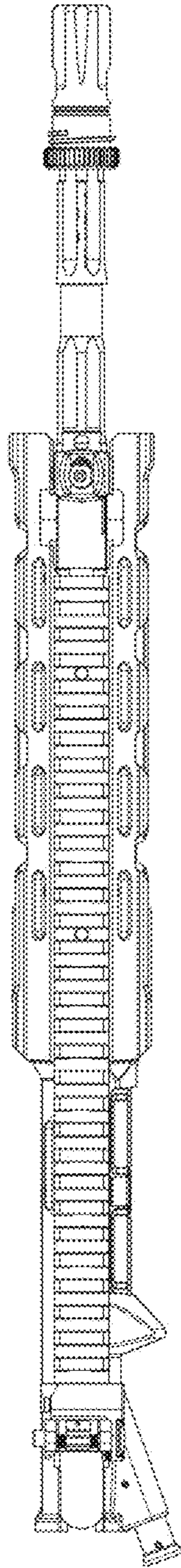


FIG. 25

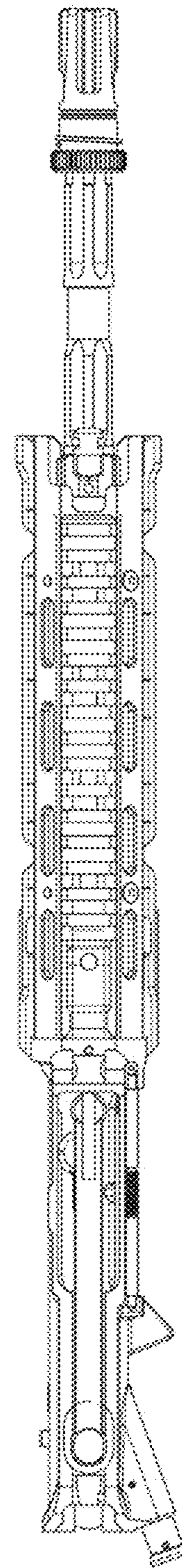


FIG. 26

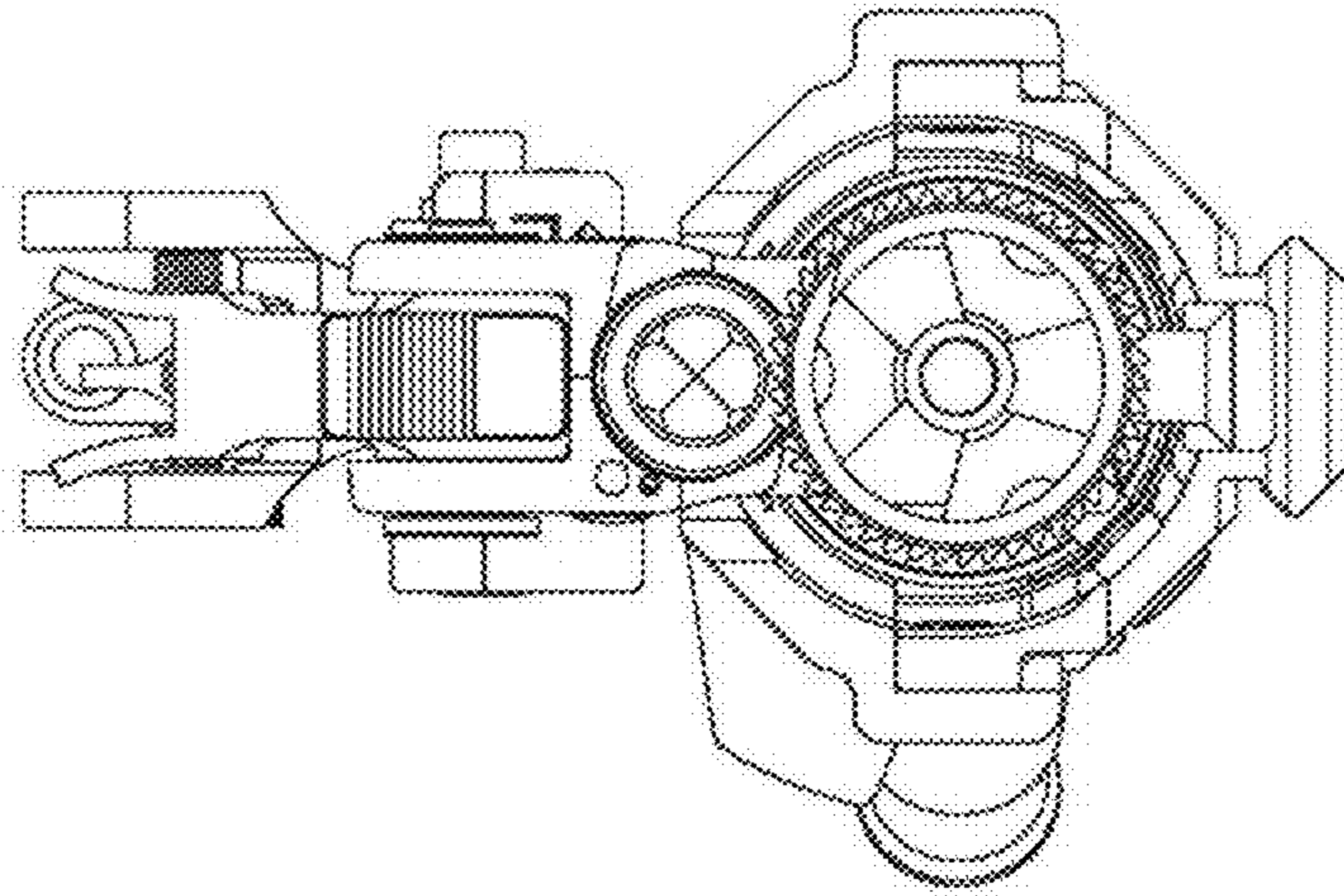


FIG. 28

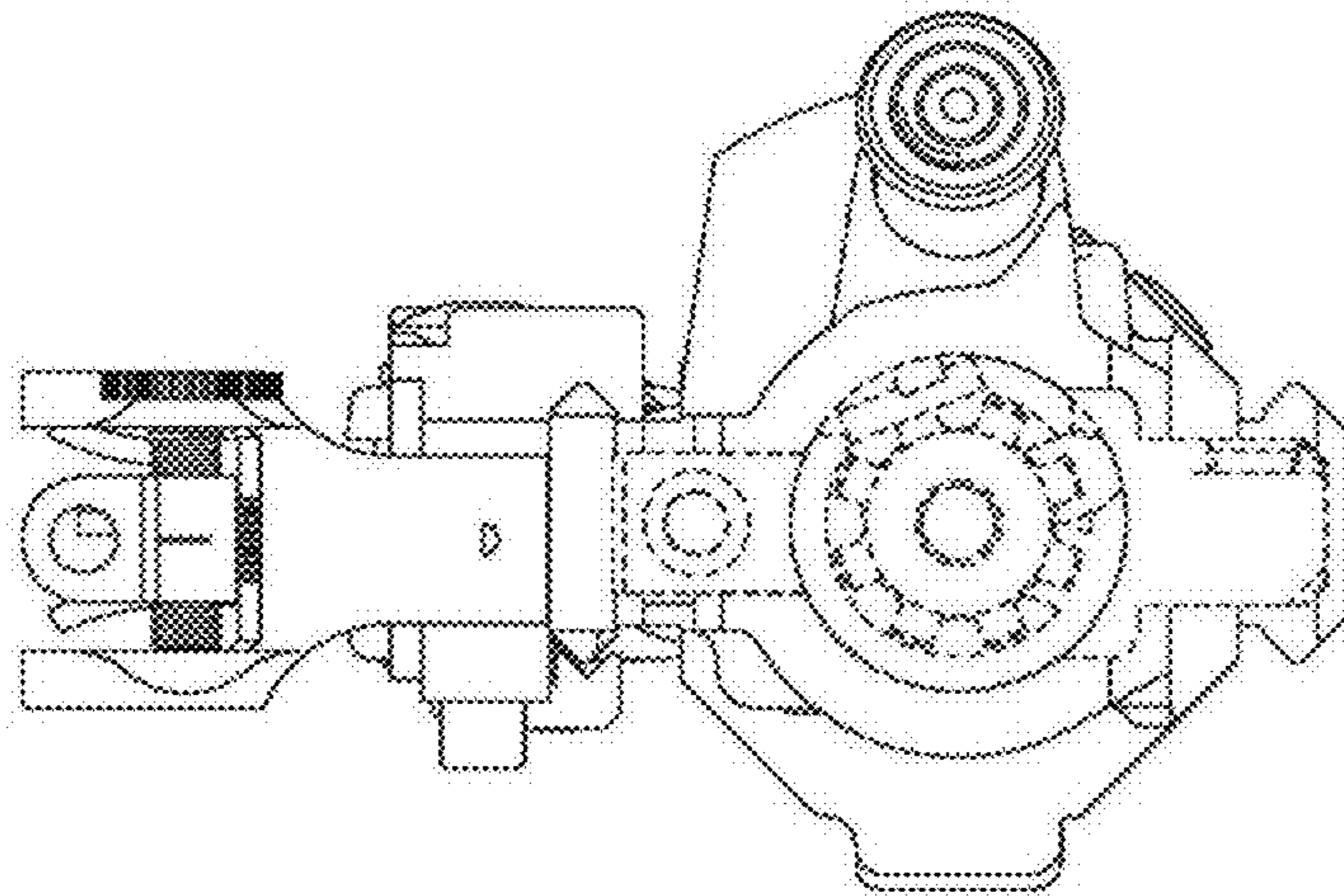


FIG. 27