



US00D709580S

(12) **United States Design Patent**  
**Heizer et al.**

(10) **Patent No.:** **US D709,580 S**  
(45) **Date of Patent:** **\*\* Jul. 22, 2014**

- (54) **PISTOL**
- (71) Applicant: **Heizer Defense, LLC**, Pevely, MO (US)
- (72) Inventors: **Charles K. Heizer**, St. Louis, MO (US);  
**Thomas C. Heizer**, St. Louis, MO (US);  
**Hedy H. Gahn**, St. Louis, MO (US);  
**Jacob Wayne Mahn**, Bloomsdale, MO (US)
- (73) Assignee: **Heizer Defense, LLC**, Pevely, MO (US)
- (\*\*) Term: **14 Years**
- (21) Appl. No.: **29/443,076**
- (22) Filed: **Jan. 11, 2013**
- (51) **LOC (10) Cl.** ..... **22-01**
- (52) **U.S. Cl.**  
USPC ..... **D22/104**
- (58) **Field of Classification Search**  
USPC ..... D22/104, 108; D21/145, 146, 147, 567,  
D21/572, 573-575; 42/40, 41, 42.01, 42.02,  
42/42.03, 43, 44, 45, 57, 69.01, 71.02, 72,  
42/100; 124/31, 37; 362/110, 113  
See application file for complete search history.

- D359,098 S 6/1995 Stevens
- D363,107 S 10/1995 Sanford
- D377,513 S 1/1997 Lenkarski
- D387,842 S 12/1997 Kaminski
- D400,633 S 11/1998 Chapman

(Continued)

**OTHER PUBLICATIONS**

Heizer Defense press release for DoubleTap firearm [online]. Heizer Defense, LLC, publication date Oct. 2011 [retrieved on Jan. 11, 2013]. Retrieved from the Internet: <URL: <http://heizerfirearms.com/pdf/Heizer%20DoubleTap%2010-24-11%20final.pdf>>.

*Primary Examiner* — Michael A Pratt

(74) *Attorney, Agent, or Firm* — CreatiVenture Law, LLC; Dennis JM Donahue, III

(57) **CLAIM**

The ornamental design for a pistol, as shown and described.

**DESCRIPTION**

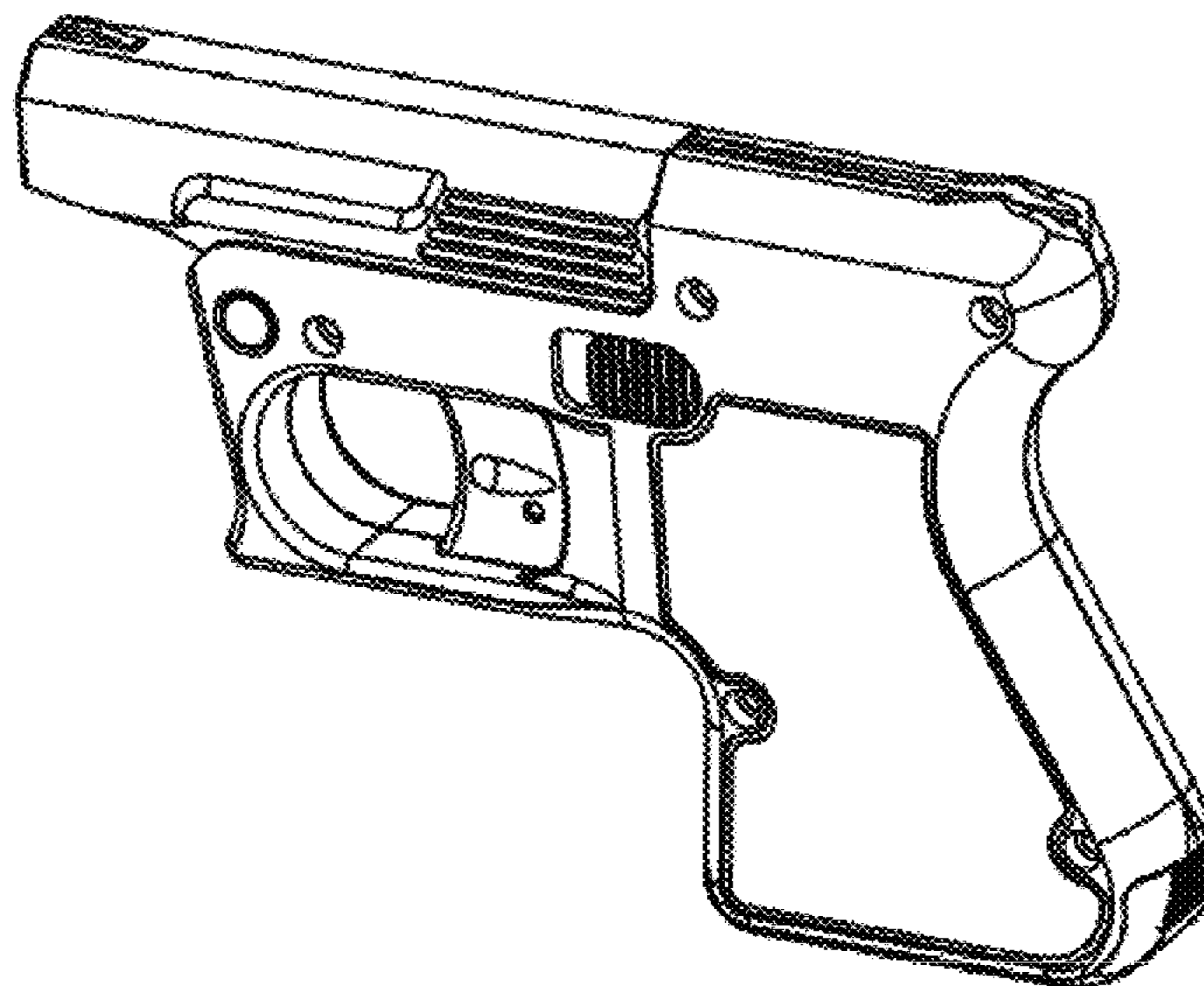
FIGS. 1 and 2 are a back perspective view and a front perspective view of a first embodiment of a pistol.  
FIG. 3 is a top view of the first embodiment.  
FIG. 4 is a left side view of the first embodiment.  
FIG. 5 is a rear view of the first embodiment.  
FIG. 6 is a front view of the first embodiment.  
FIG. 7 is a bottom view of the first embodiment.  
FIGS. 8 and 9 are a back perspective view and a front perspective view of a second embodiment of a pistol.  
FIG. 10 is a top view of the second embodiment.  
FIG. 11 is a left side view of the second embodiment.  
FIG. 12 is a rear view of the second embodiment.  
FIG. 13 is a front view of the second embodiment; and, FIG. 14 is a bottom view of the second embodiment.  
The right side views of the first and second embodiments substantially mirror the respective left side views.

**1 Claim, 6 Drawing Sheets**

(56) **References Cited**

**U.S. PATENT DOCUMENTS**

- 42,649 A \* 5/1864 Elliot ..... 42/65
- D225,847 S \* 1/1973 Lichtman ..... D22/104
- D234,459 S 3/1975 Lichtman
- D251,913 S \* 5/1979 Romano ..... D22/104
- 4,155,187 A \* 5/1979 Lichtman ..... 42/11
- D263,413 S 3/1982 Hillberg
- D269,896 S 7/1983 Seecamp
- D274,639 S \* 7/1984 Seminiano ..... D22/104
- D277,126 S \* 1/1985 Numbers ..... D22/104
- 4,646,458 A \* 3/1987 Stevens ..... 42/46
- D292,112 S 9/1987 Ruger



(56)

**References Cited**

U.S. PATENT DOCUMENTS

D574,053 S	7/2008	McGarry	D686,685 S *	7/2013	Kohout	D22/104
D650,880 S	12/2011	McGarry	2011/0030261 A1 *	2/2011	Karagias	42/69.01
D651,275 S	12/2011	Emde	2011/0072704 A1 *	3/2011	Teach et al.	42/8
D654,978 S	2/2012	Karanian	2012/0279105 A1 *	11/2012	Emde et al.	42/1.08
D678,454 S *	3/2013	Emde et al.	2012/0291324 A1 *	11/2012	Bandini et al.	42/14
		D22/104	2013/0104436 A1 *	5/2013	Heizer	42/69.01
			2013/0199070 A1 *	8/2013	Heizer et al.	42/49.01
			2013/0205632 A1 *	8/2013	Kohout	42/8

\* cited by examiner

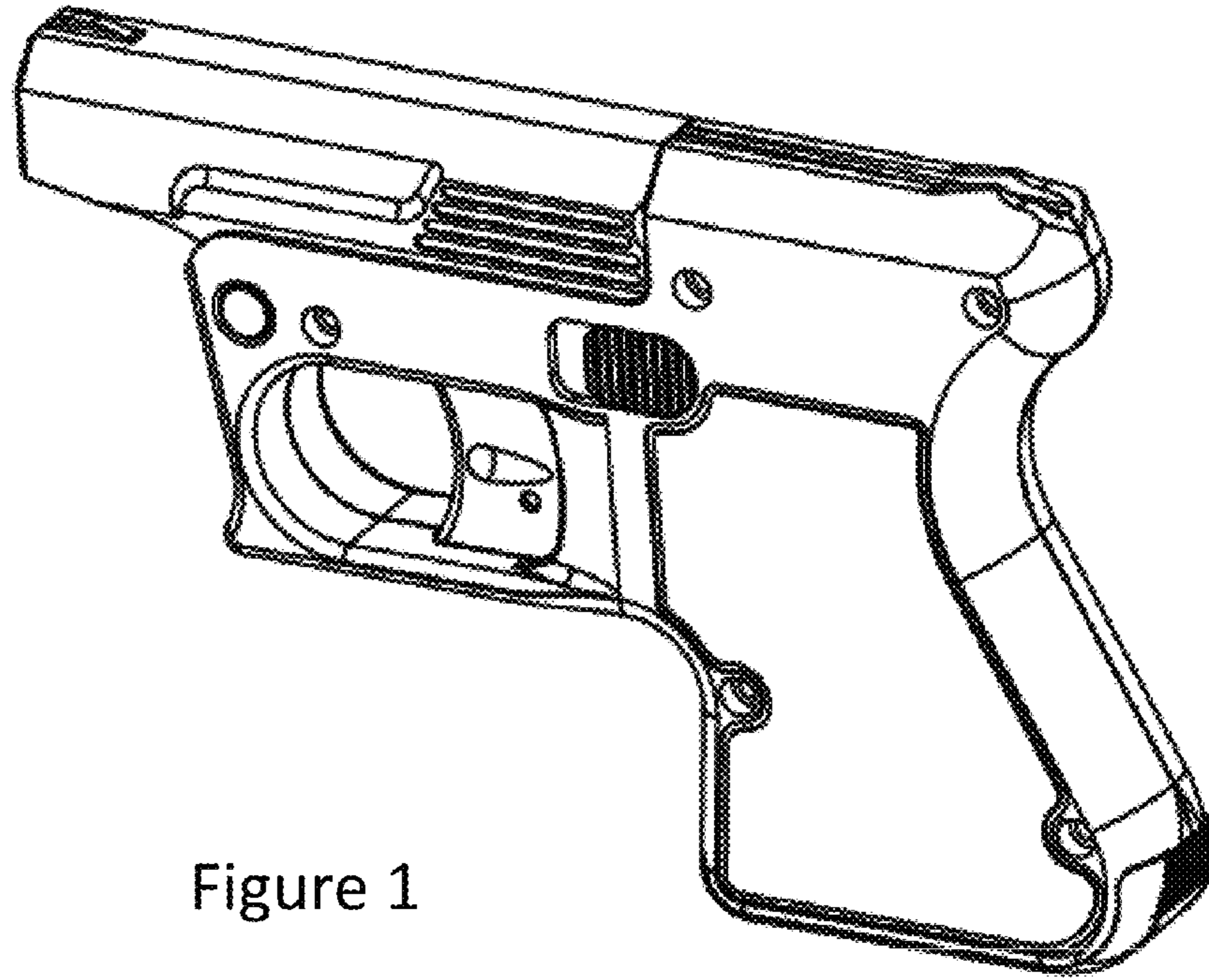


Figure 1

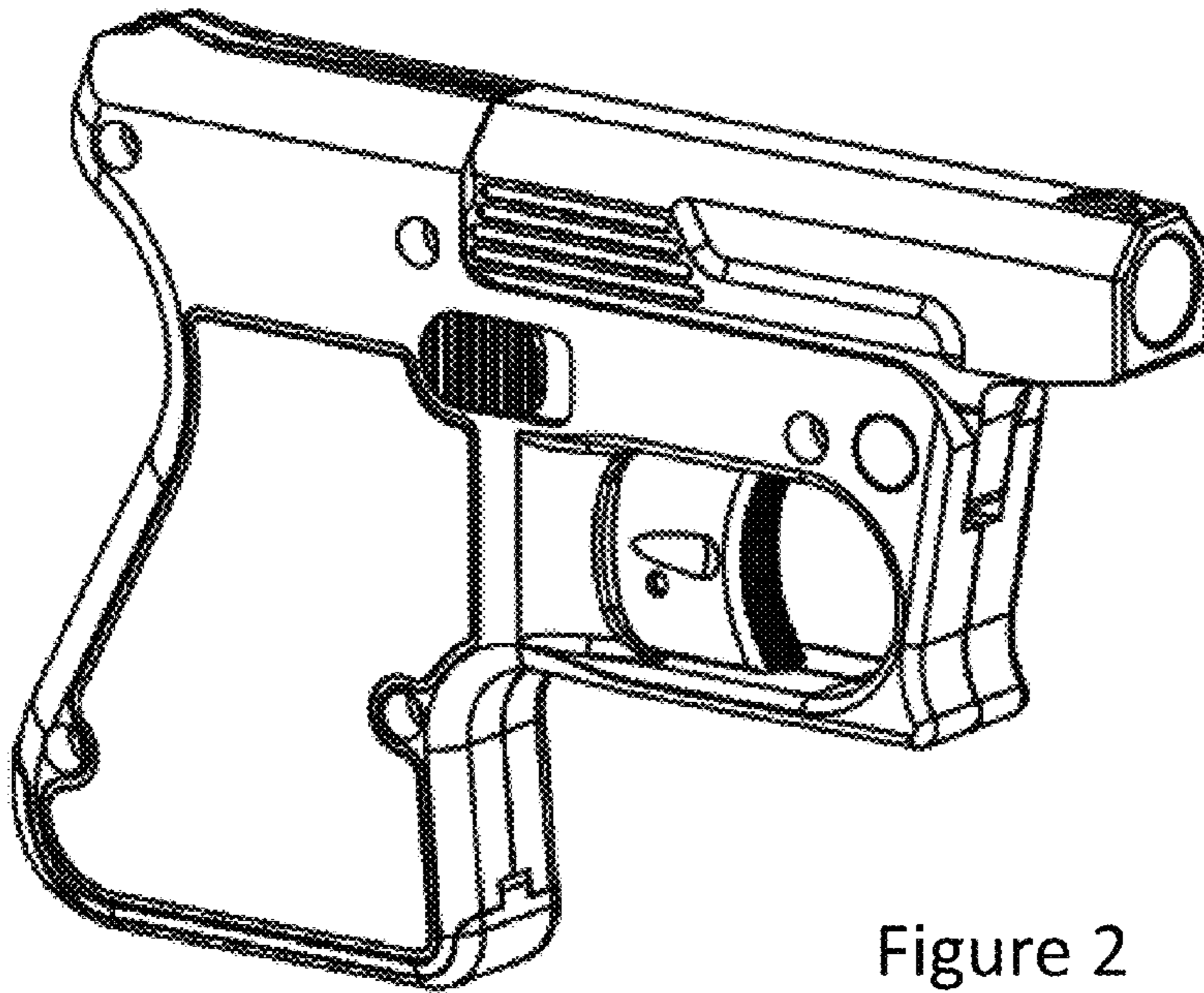


Figure 2

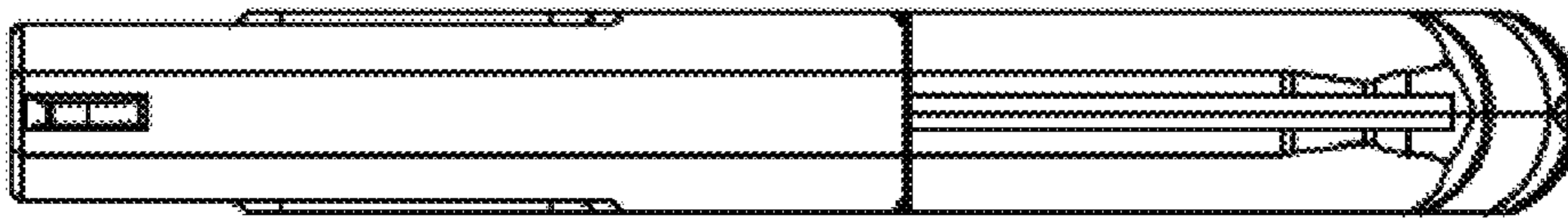


Figure 3

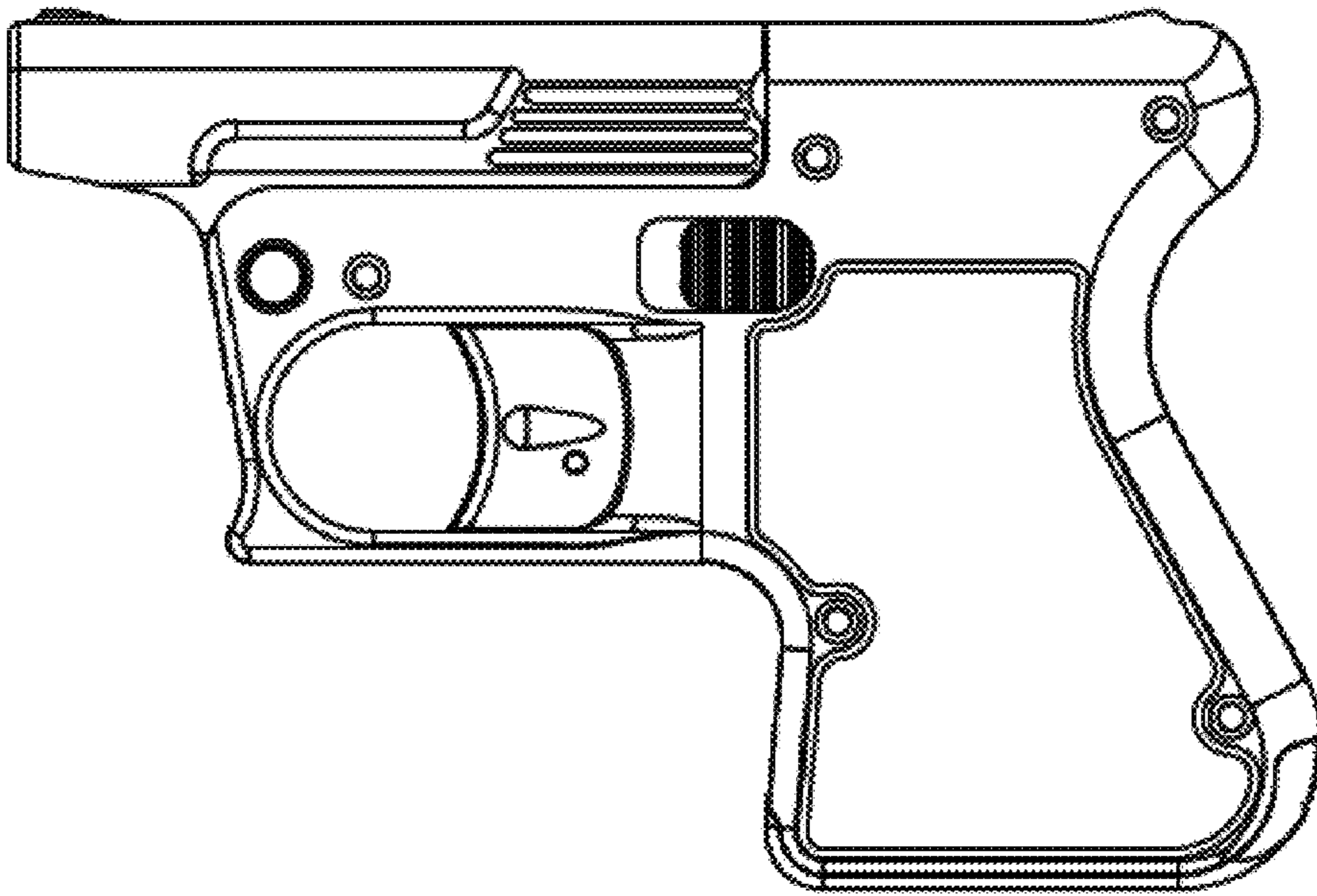


Figure 4

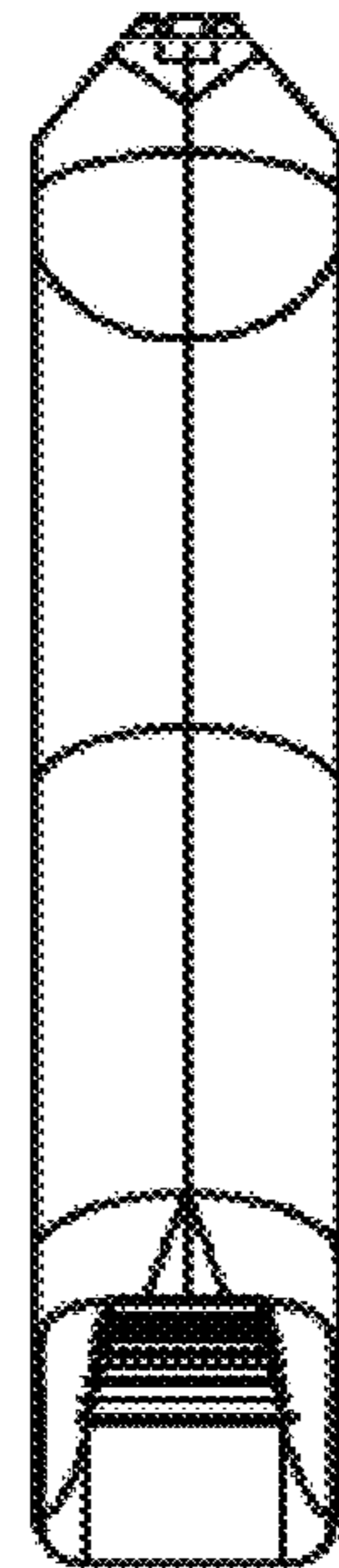


Figure 5

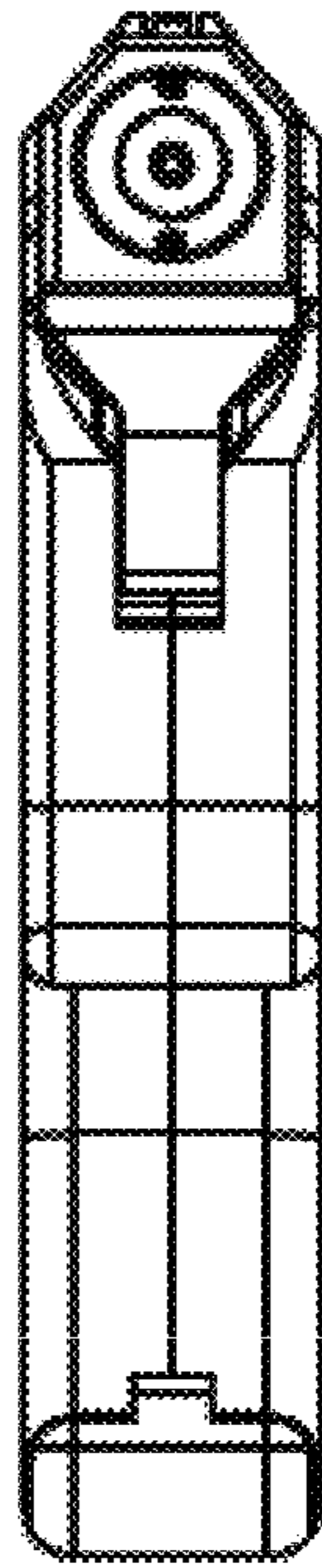


Figure 6

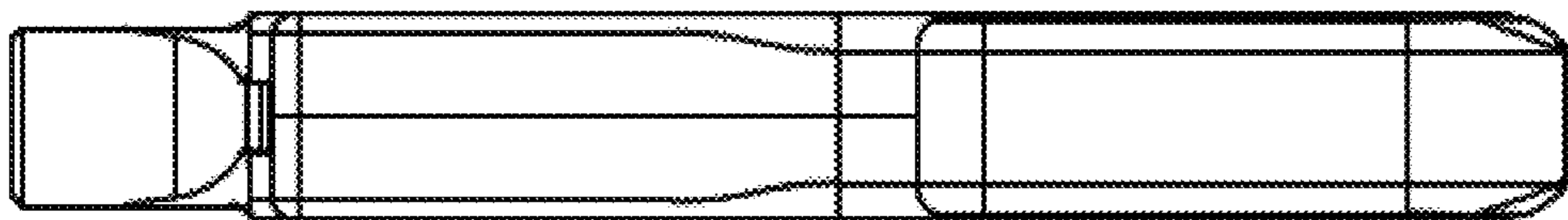


Figure 7

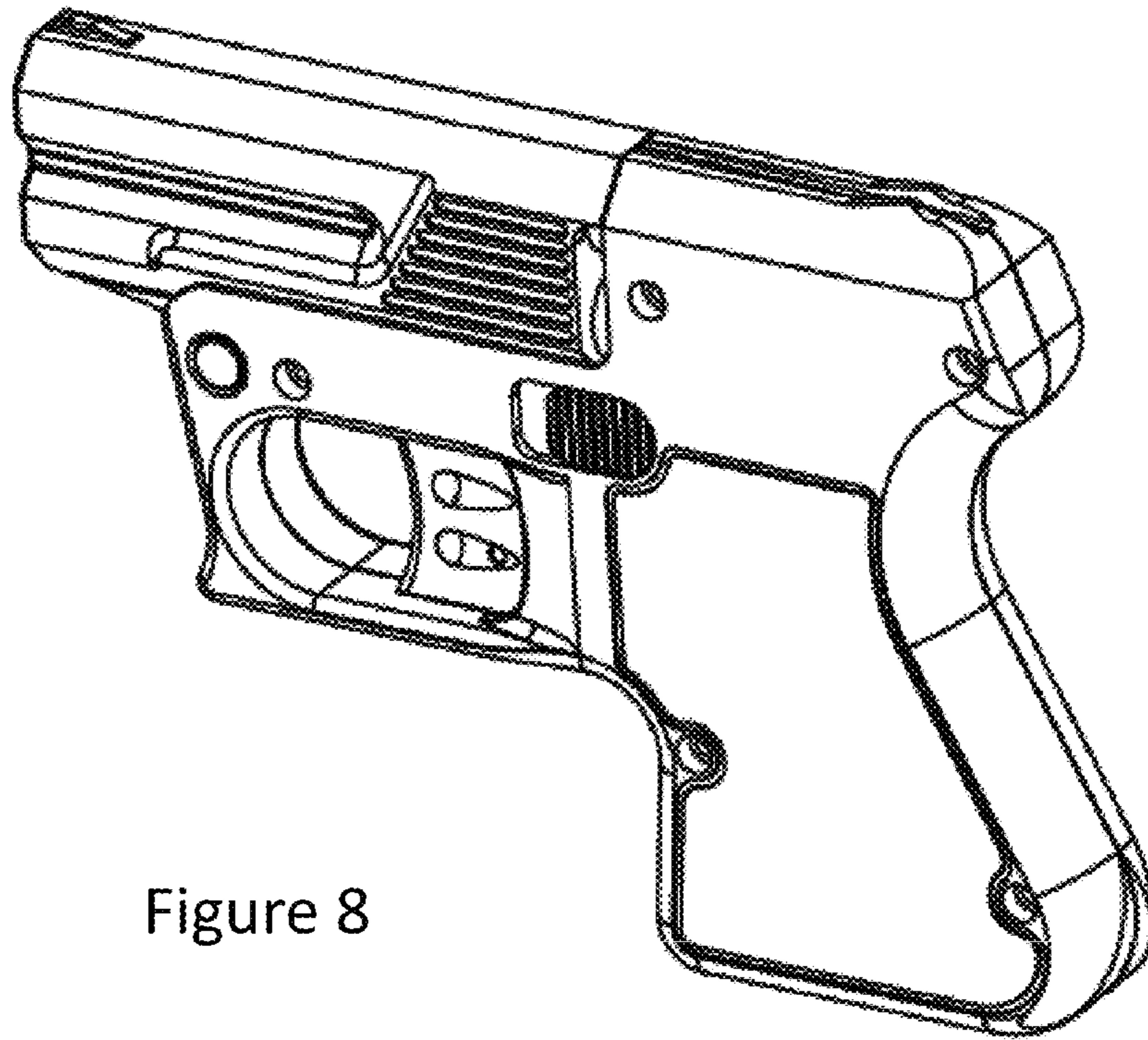


Figure 8

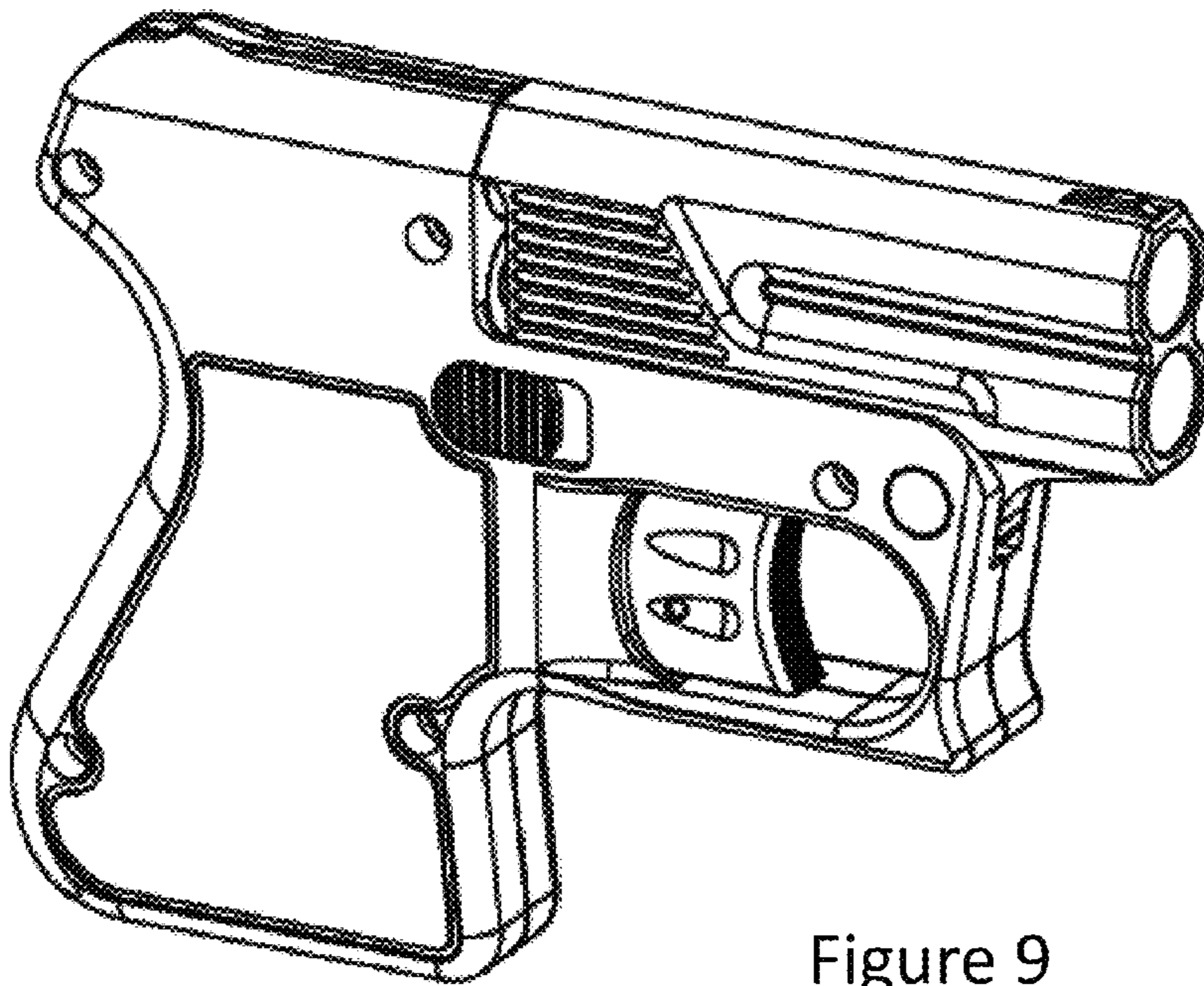


Figure 9

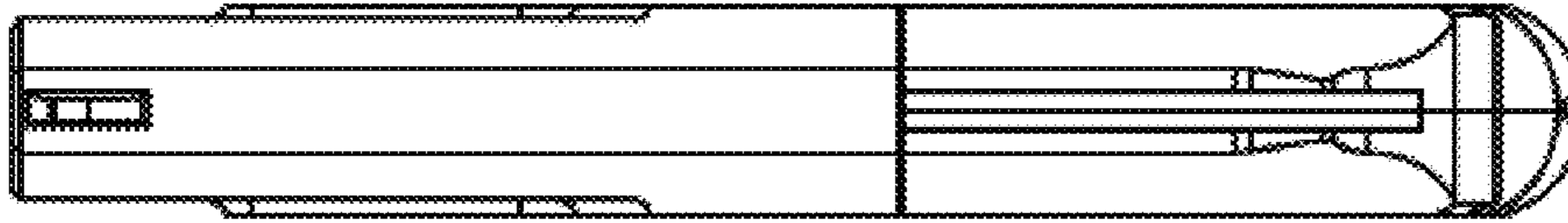


Figure 10

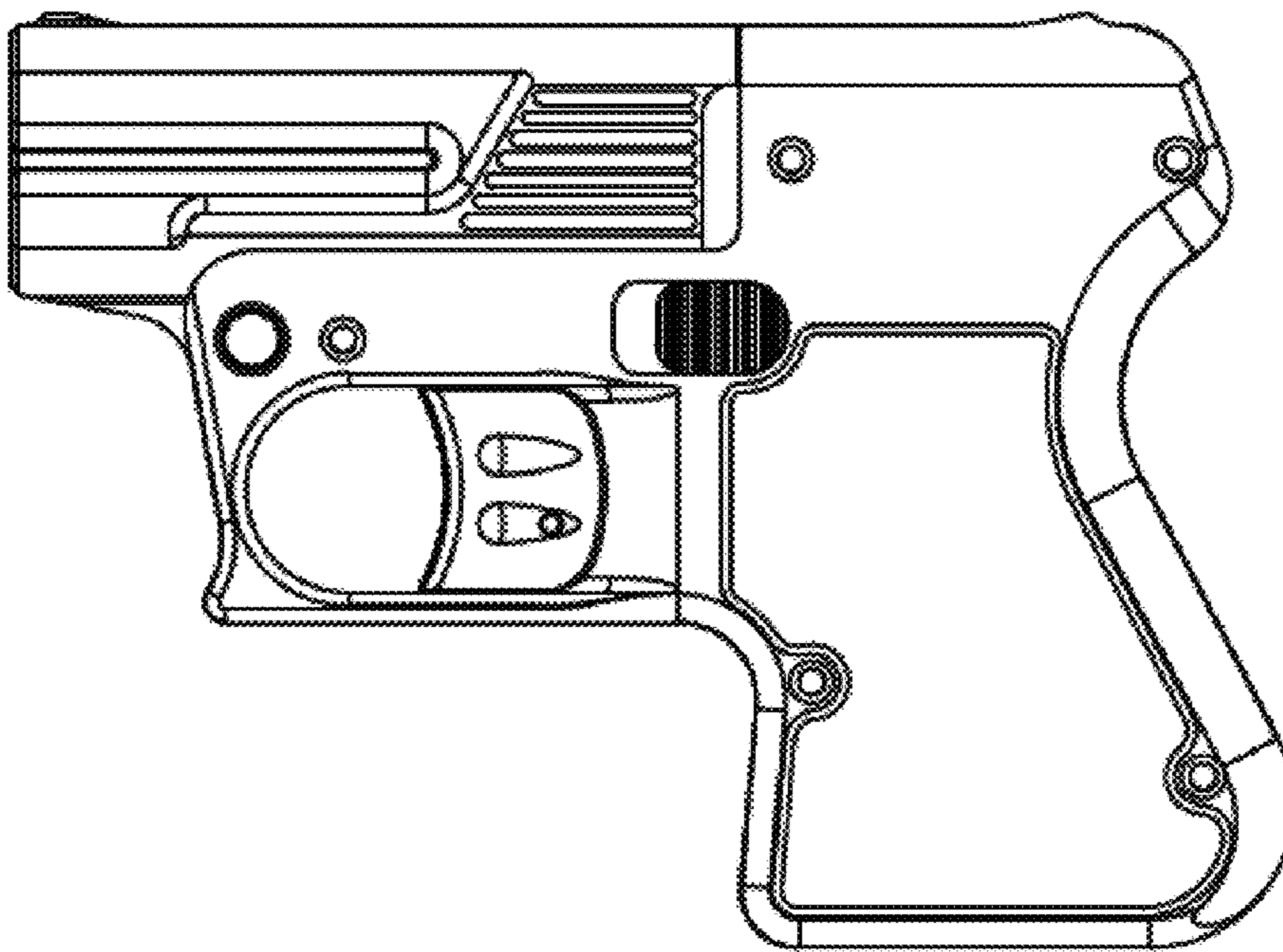


Figure 11

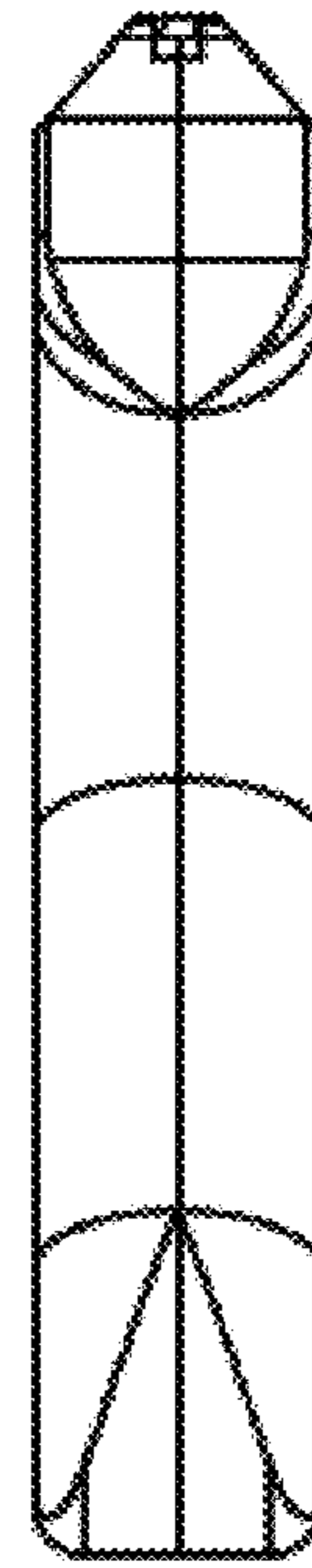


Figure 12

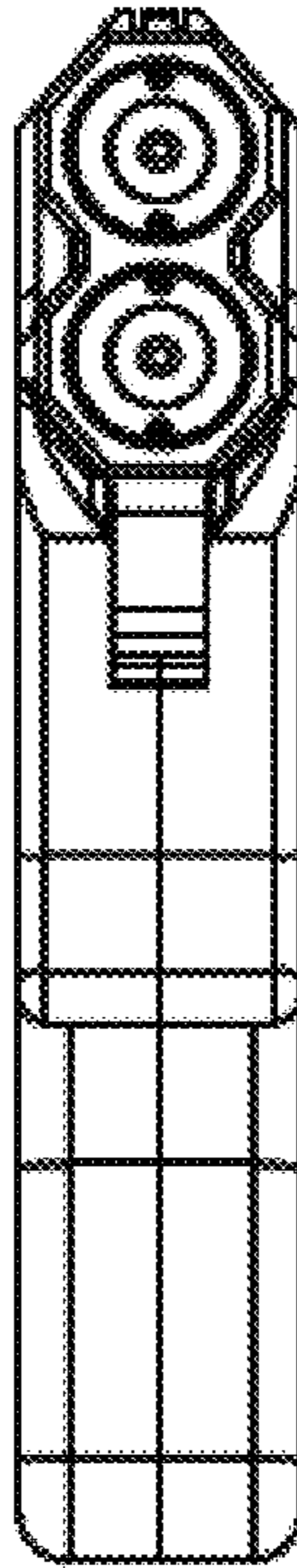


Figure 13

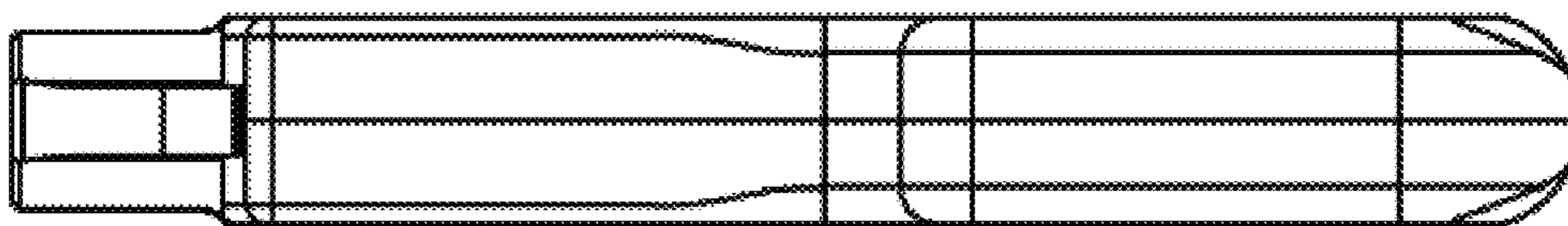


Figure 14