



US00D709575S

(12) **United States Design Patent**  
**Oldknow et al.**

(10) **Patent No.:** **US D709,575 S**  
(45) **Date of Patent:** **\*\* Jul. 22, 2014**

- (54) **GOLF CLUB HEAD**
- (71) Applicant: **NIKE, Inc.**, Beaverton, OR (US)
- (72) Inventors: **Andrew Oldknow**, Beaverton, OR (US);  
**Michael Prichard**, Portland, OR (US)
- (73) Assignee: **NIKE, Inc.**, Beaverton, OR (US)
- (\*\*) Term: **14 Years**
- (21) Appl. No.: **29/465,788**
- (22) Filed: **Aug. 30, 2013**
- (51) **LOC (10) Cl.** ..... **21-02**
- (52) **U.S. Cl.**  
USPC ..... **D21/759**
- (58) **Field of Classification Search**  
CPC .... A63B 53/00; A63B 53/04; A63B 53/0466;  
A63B 2053/002; A63B 2053/0404; A63B  
2053/0433  
USPC ..... D21/733, 752, 759; 473/324–331,  
473/343–346  
See application file for complete search history.

- D544,058 S 6/2007 Oldknow
- D544,557 S 6/2007 Oldknow
- D564,607 S 3/2008 Oldknow et al.
- D566,214 S 4/2008 Evans et al.
- D569,941 S 5/2008 Evans et al.
- D589,576 S 3/2009 Kadoya
- D591,810 S 5/2009 Murphy et al.
- 7,591,737 B2 9/2009 Gibbs et al.
- D605,714 S 12/2009 Barez et al.
- D618,751 S 6/2010 Breier et al.
- D621,892 S 8/2010 Kohno
- D622,337 S 8/2010 Kohno
- D627,842 S 11/2010 Gray et al.
- 7,837,577 B2 11/2010 Evans
- D630,279 S 1/2011 Kuan

(Continued)

**OTHER PUBLICATIONS**

Edwin Watts Golf Catalog, Holiday 2004; pp. 18 and 35, published Holiday 2004.

(Continued)

*Primary Examiner* — Mitchell Siegel

(74) *Attorney, Agent, or Firm* — Banner & Witcoff, Ltd.

(57)

**CLAIM**

The ornamental design for a golf club head, as shown and described.

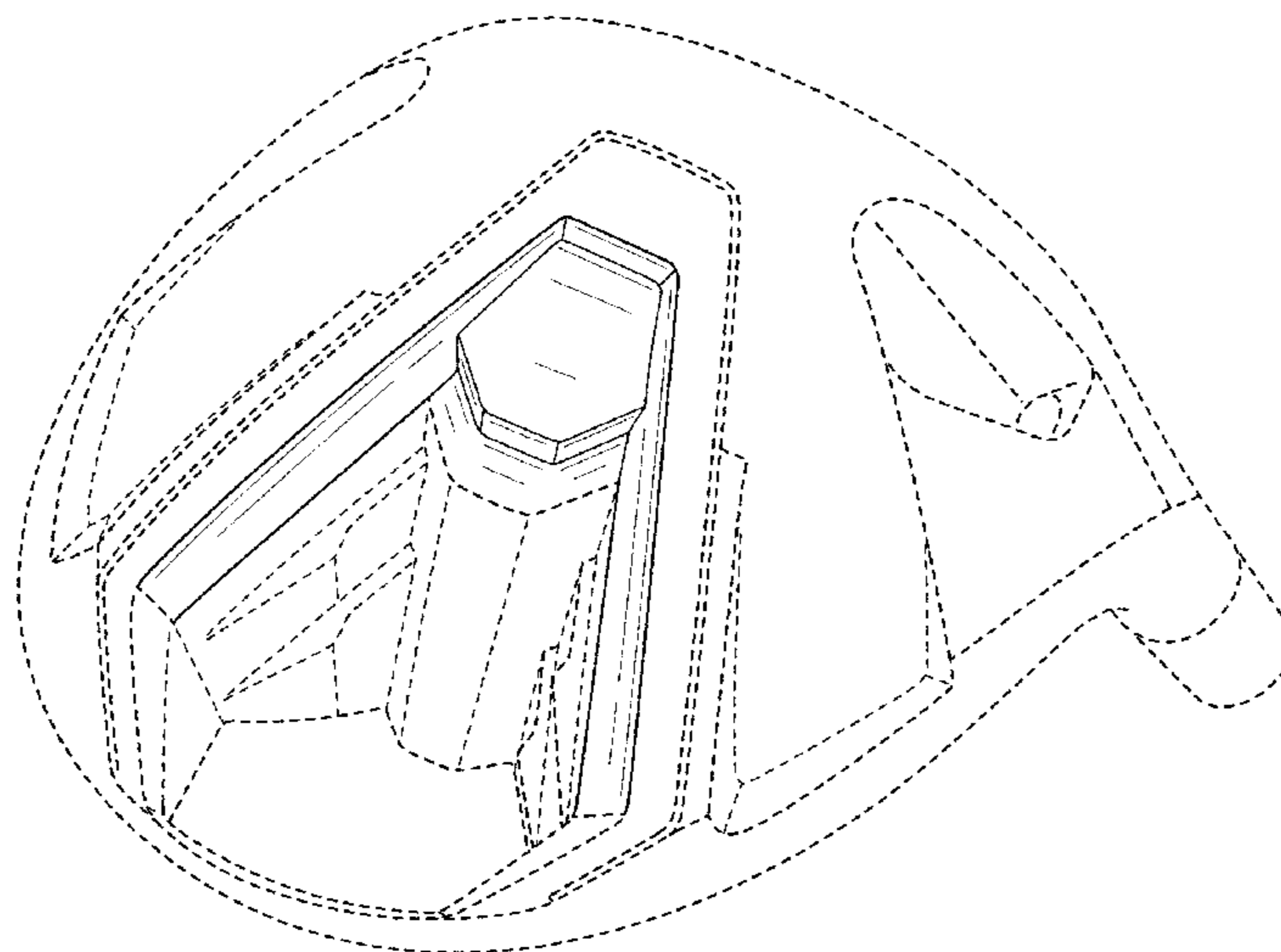
**DESCRIPTION**

FIG. 1 is a first perspective view of a golf club head showing my new design; FIG. 2 is a bottom view thereof; and, FIG. 3 is a second perspective view thereof. The broken lines immediately adjacent to the shaded area represent unclaimed boundaries of the design. The broken lines showing the remainder of the golf club head are for environmental purposes only and form no part of the claimed design.

**1 Claim, 3 Drawing Sheets**

(56) **References Cited**  
U.S. PATENT DOCUMENTS

- 1,541,126 A 6/1925 Dunn
- 5,078,283 A 1/1992 Wilson
- D354,103 S \* 1/1995 Allen ..... D21/752
- 5,464,217 A 11/1995 Shenoha et al.
- 5,547,188 A 8/1996 Dumontier et al.
- D375,535 S 11/1996 Gorman
- D375,987 S 11/1996 Lin
- D392,007 S \* 3/1998 Fox ..... D21/752
- D397,387 S \* 8/1998 Allen ..... D21/733
- D465,251 S 11/2002 Wood et al.
- D490,870 S 6/2004 Burrows
- D507,030 S 7/2005 Burrows
- D524,394 S 7/2006 Madore et al.
- D524,396 S 7/2006 Madore et al.
- D529,111 S 9/2006 Cleveland et al.



(56)

References Cited

U.S. PATENT DOCUMENTS

D637,670 S 5/2011 Foster et al.  
 D637,671 S 5/2011 Kim et al.  
 D641,818 S 7/2011 Foster et al.  
 D643,897 S 8/2011 Lee et al.  
 8,016,694 B2 9/2011 Llewellyn et al.  
 D646,344 S 10/2011 Glod  
 D647,583 S 10/2011 Foster et al.  
 D652,880 S 1/2012 Foster et al.  
 D654,130 S 2/2012 Glod  
 D656,210 S 3/2012 Foster  
 D675,691 S \* 2/2013 Oldknow et al. .... D21/759  
 D675,692 S \* 2/2013 Oldknow et al. .... D21/759  
 D676,512 S \* 2/2013 Oldknow et al. .... D21/759  
 D676,909 S \* 2/2013 Oldknow et al. .... D21/752  
 D676,913 S \* 2/2013 Oldknow et al. .... D21/759  
 D676,914 S \* 2/2013 Oldknow et al. .... D21/759  
 D676,915 S \* 2/2013 Oldknow et al. .... D21/759  
 D677,353 S \* 3/2013 Oldknow et al. .... D21/759  
 D678,964 S \* 3/2013 Oldknow et al. .... D21/752  
 D678,965 S \* 3/2013 Oldknow et al. .... D21/752  
 D678,968 S \* 3/2013 Oldknow et al. .... D21/759  
 D678,969 S \* 3/2013 Oldknow et al. .... D21/759  
 D678,970 S \* 3/2013 Oldknow et al. .... D21/759  
 D678,971 S \* 3/2013 Oldknow et al. .... D21/759  
 D678,972 S \* 3/2013 Oldknow et al. .... D21/759  
 D678,973 S \* 3/2013 Oldknow et al. .... D21/759  
 D679,353 S \* 4/2013 Oldknow et al. .... D21/759  
 D679,354 S \* 4/2013 Oldknow et al. .... D21/759  
 D687,110 S 7/2013 Engel et al.

8,628,433 B2 \* 1/2014 Stites et al. .... 473/327  
 2010/0190574 A1 7/2010 Foster et al.  
 2011/0009210 A1 1/2011 Stites et al.

OTHER PUBLICATIONS

Golfsmith Golf Catalog, Spring 2010; pp. 4 and 7, published Spring 2010.  
 Edwin Watts Golf Catalog, Mar. 2011; pp. 2 and 4, published Mar. 2011.  
 Edwin Watts Golf Catalog, Apr. 2011; pp. 12 and 22, published Apr. 2011.  
 Bridgestone J40 430 Driver, announcement date unknown, but prior to filing [online], [site visited Aug. 2012]. Available from Internet, <URL: <http://www.edwinwattsgolf.com>>.  
 Bridgestone J40 Hybrid announcement date unknown, but prior to filing [online], [site visited Aug. 2012]. Available from Internet, <URL: <http://www.edwinwattsgolf.com>>.  
 TaylorMade R11S Driver, announcement date unknown, but prior to filing [online], [site visited Aug. 2012]. Available from Internet, <URL: <http://www.edwinwattsgolf.com>>.  
 Titleist 910H Wyvem Hybrid, announcement date unknown, but prior to filing [online], [site visited Aug. 2012]. Available from Internet, <URL: <http://www.edwinwattsgolf.com>>.  
 TourEdge Backdraft, announcement date unknown, but prior to filing [online], [site visited Aug. 2012]. Available from Internet, <URL: <http://www.edwinwattsgolf.com>>.  
 TourEdge Exotics XCG5 Hybrid 65G, announcement date unknown, but prior to filing [online], [site visited Aug. 2012]. Available from Internet, <URL: <http://www.edwinwattsgolf.com>>.

\* cited by examiner

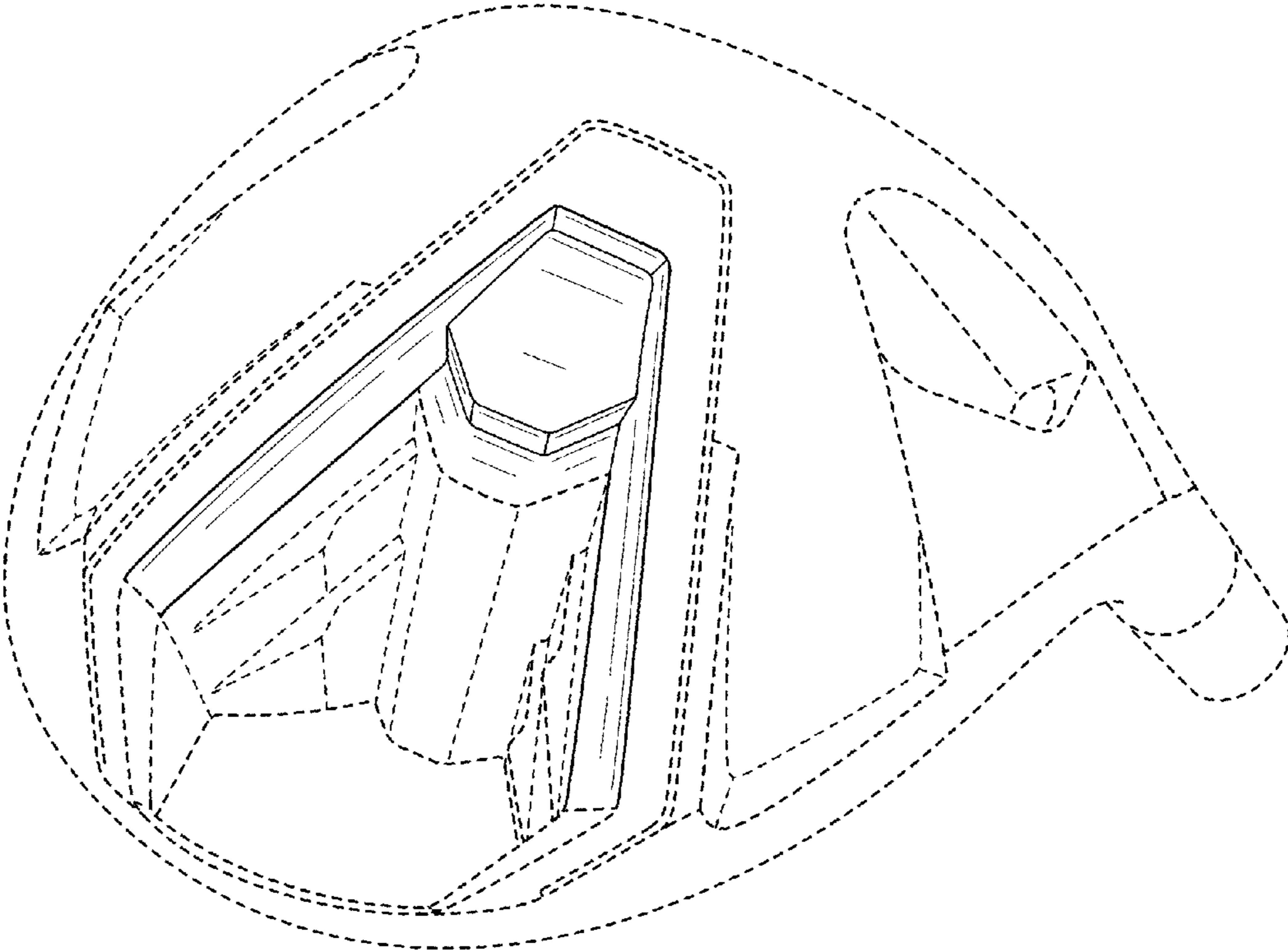


FIG. 1

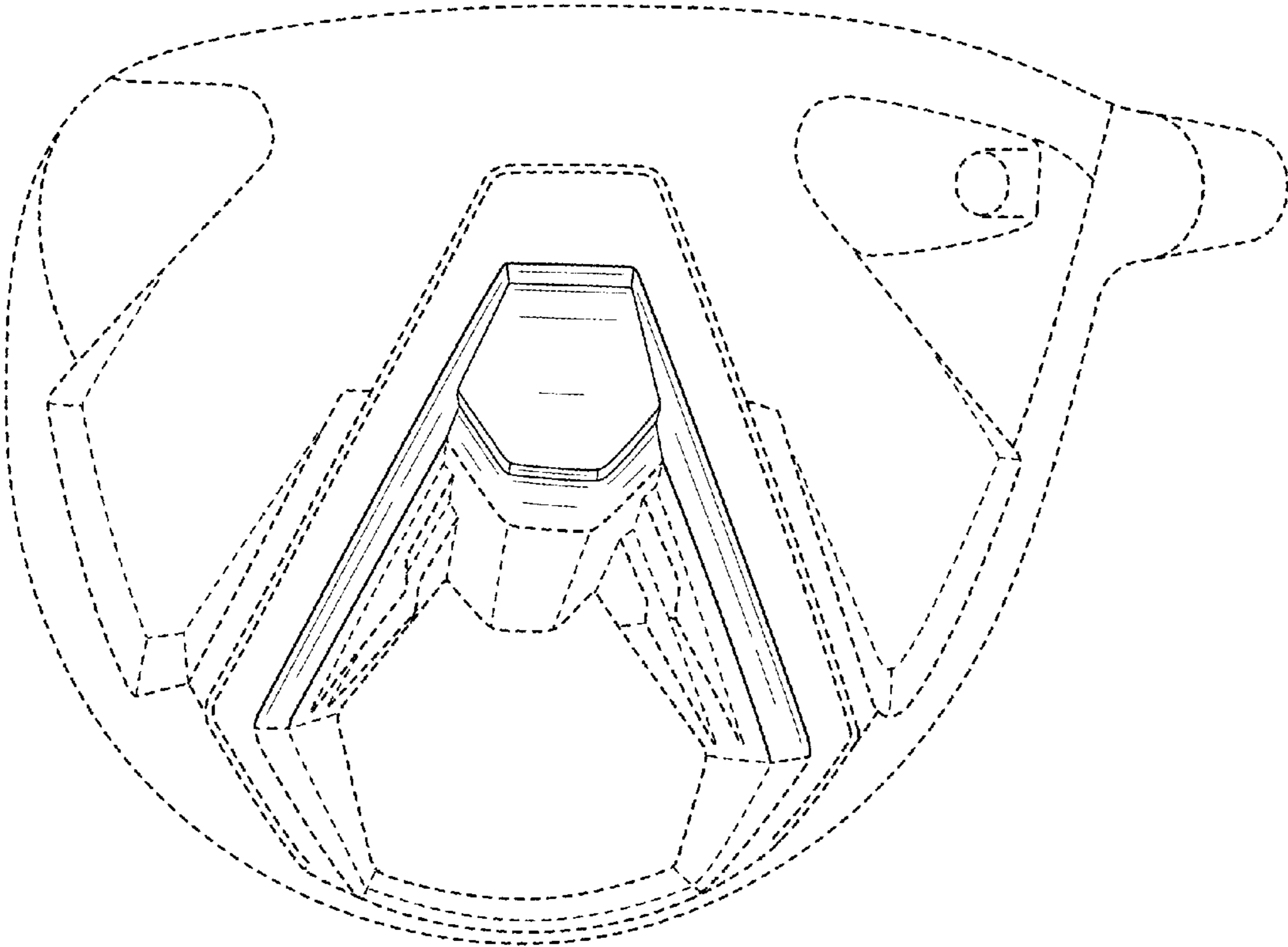


FIG. 2

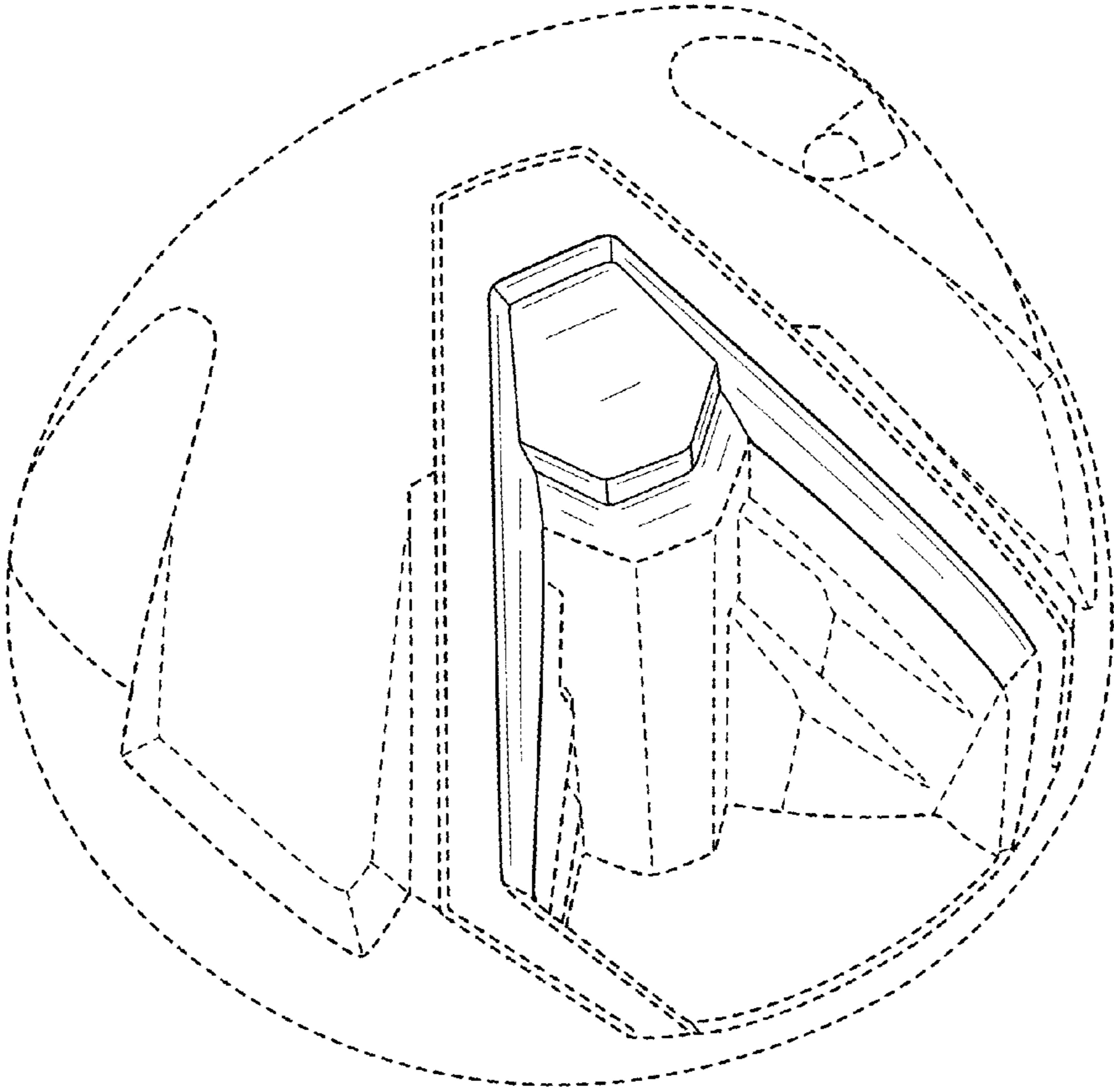


FIG. 3