



US00D709573S

(12) **United States Design Patent**
Stokke et al.

(10) **Patent No.:** **US D709,573 S**
(45) **Date of Patent:** **** Jul. 22, 2014**

(54) **BADGE FOR A GOLF CLUB HEAD**

(71) Applicant: **Karsten Manufacturing Corporation,**
Phoenix, AZ (US)

(72) Inventors: **Ryan M. Stokke,** Phoenix, AZ (US);
Xiaojian Chen, Phoenix, AZ (US)

(73) Assignee: **Karsten Manufacturing Corporation,**
Phoenix, AZ (US)

(**) Term: **14 Years**

(21) Appl. No.: **29/457,991**

(22) Filed: **Jun. 14, 2013**

(51) **LOC (10) Cl.** **21-02**

(52) **U.S. Cl.**
USPC **D21/759**

(58) **Field of Classification Search**
USPC D21/747–751, 759; 473/324–331, 350
See application file for complete search history.

(56) **References Cited**

U.S. PATENT DOCUMENTS

D244,558 S	5/1977	Elkins, Jr.
D361,813 S	8/1995	Guibaud
5,492,327 A	2/1996	Biafore, Jr.
5,564,705 A	10/1996	Kobayashi
5,593,356 A	1/1997	Takeda
5,658,206 A	8/1997	Antonious
D398,355 S	9/1998	Chou
D409,702 S	5/1999	Gallagher
D420,080 S	2/2000	Gates
D424,146 S	5/2000	Maltby
D428,632 S	7/2000	Besnard
D435,073 S	12/2000	Stone
D435,277 S	12/2000	Erickson
6,210,290 B1	4/2001	Erickson

D442,245 S	5/2001	Roach	
6,251,029 B1	6/2001	Roberts	
D445,862 S	7/2001	Ford	
D453,949 S	2/2002	Helmstetter	
6,454,665 B2 *	9/2002	Antonious 473/350
D480,440 S	10/2003	Rollinson	
D481,775 S	11/2003	Best	
D494,240 S	8/2004	Schweigert	
D494,648 S	8/2004	Schweigert	
D494,649 S	8/2004	Imamoto	
D495,390 S	8/2004	Pinder	
D500,350 S	12/2004	Schweigert	
D500,351 S	12/2004	Schweigert	
D502,237 S	2/2005	Schweigert	
D502,975 S	3/2005	Schweigert	
D504,925 S	5/2005	Schweigert	

(Continued)

Primary Examiner — Mitchell Siegel

(57) **CLAIM**

The ornamental design for a badge for a golf club head, as shown and described.

DESCRIPTION

FIG. 1 is a top perspective view of a badge for a golf club head;

FIG. 2 is a bottom perspective view of a badge for a golf club head of FIG. 1;

FIG. 3 is a front view of the badge of FIG. 1;

FIG. 4 is a rear view of the badge of FIG. 1;

FIG. 5 is a top view of the badge of FIG. 1;

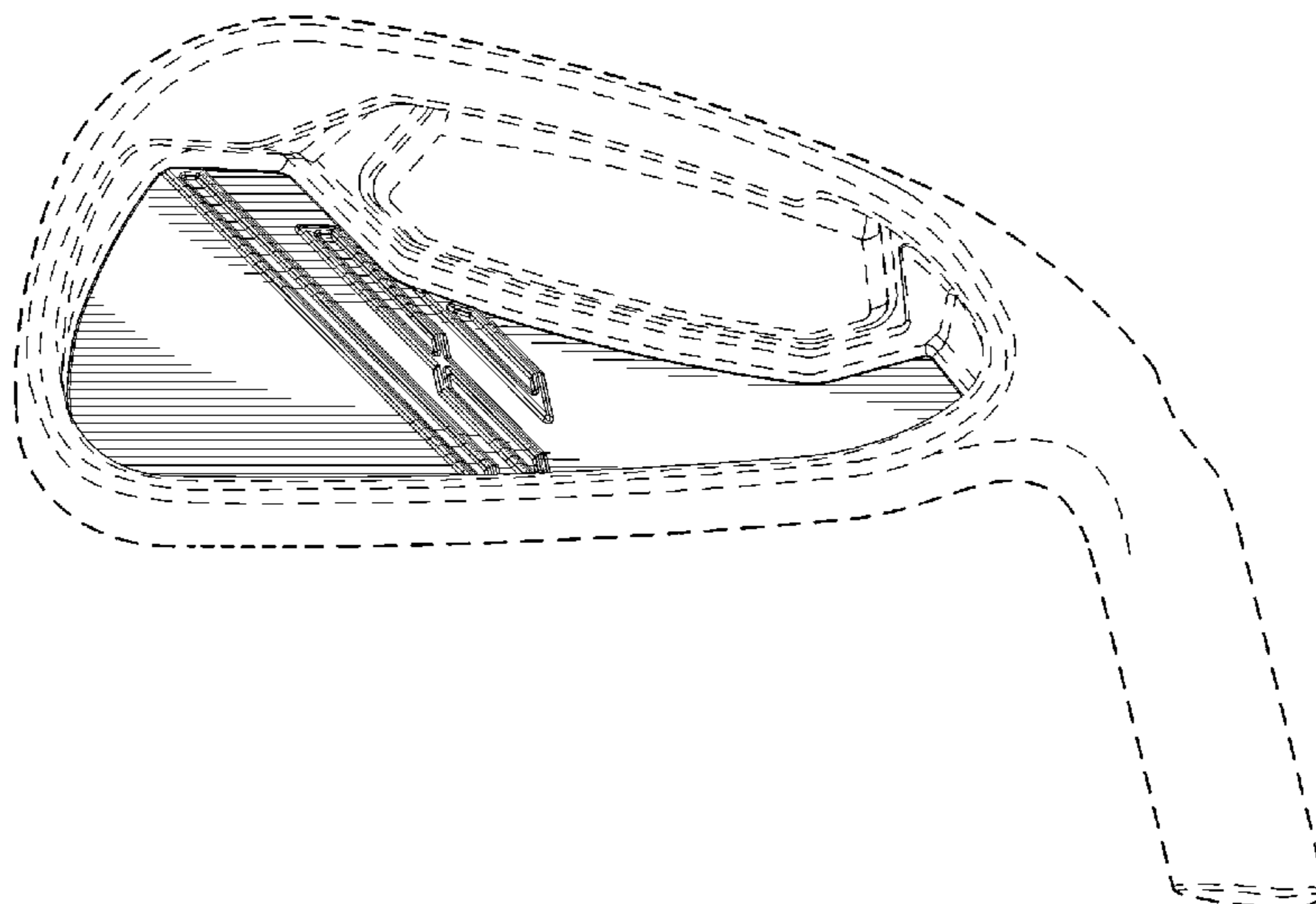
FIG. 6 is a bottom view of the badge of FIG. 1;

FIG. 7 is a right view of the badge of FIG. 1; and,

FIG. 8 is a left view of the badge of FIG. 1.

The broken lines shown in one or more of the figures are for illustrative purposes only and form no part of the claimed design.

1 Claim, 4 Drawing Sheets



(56)

References Cited

U.S. PATENT DOCUMENTS

D505,171 S 5/2005 Schweigert
 D507,321 S 7/2005 Dogan
 D507,614 S 7/2005 Schweigert
 D508,099 S 8/2005 Schweigert
 D509,868 S 9/2005 Imamoto
 D514,183 S 1/2006 Schweigert
 D516,649 S 3/2006 Imamoto
 7,066,834 B2 6/2006 Yamamoto
 D525,330 S 7/2006 Imamoto
 D526,375 S 8/2006 Kawami
 D528,617 S 9/2006 Imamoto
 D530,759 S 10/2006 Nicolette
 D530,760 S 10/2006 Schweigert
 D532,849 S 11/2006 Nicolette
 D534,228 S 12/2006 Nicolette
 D534,597 S 1/2007 Nicolette
 D536,759 S 2/2007 Schweigert
 D538,366 S 3/2007 Nicolette
 D539,863 S 4/2007 Nunez
 D541,360 S 4/2007 Schweigert
 D549,795 S 8/2007 Rollinson
 D550,316 S 9/2007 Nagai
 D554,215 S 10/2007 Ruggiero

D561,855 S 2/2008 Schweigert
 D562,925 S 2/2008 Schweigert
 D570,942 S 6/2008 Chen
 D570,943 S 6/2008 Chen
 D571,425 S 6/2008 Chen
 D571,426 S 6/2008 Chen
 D571,427 S 6/2008 Schweigert
 D572,329 S 7/2008 Nicolette
 D573,219 S 7/2008 Schweigert
 D574,915 S 8/2008 Jones
 D577,783 S 9/2008 Schweigert
 D578,590 S 10/2008 Schweigert
 D581,004 S * 11/2008 Schweigert et al. D21/759
 D596,258 S * 7/2009 Jertson et al. D21/759
 D596,688 S 7/2009 Schweigert
 D600,298 S 9/2009 Serrano
 D621,893 S 8/2010 Nicolette
 D621,895 S * 8/2010 Schweigert et al. D21/759
 D627,409 S 11/2010 Schweigert
 D649,211 S * 11/2011 Jertson et al. D21/759
 D651,268 S * 12/2011 Nicolette et al. D21/759
 D685,041 S * 6/2013 Stokke et al. D21/759
 D685,042 S * 6/2013 Jertson et al. D21/759
 D685,043 S * 6/2013 Stokke et al. D21/759
 2007/0281796 A1 12/2007 Gilbert

* cited by examiner

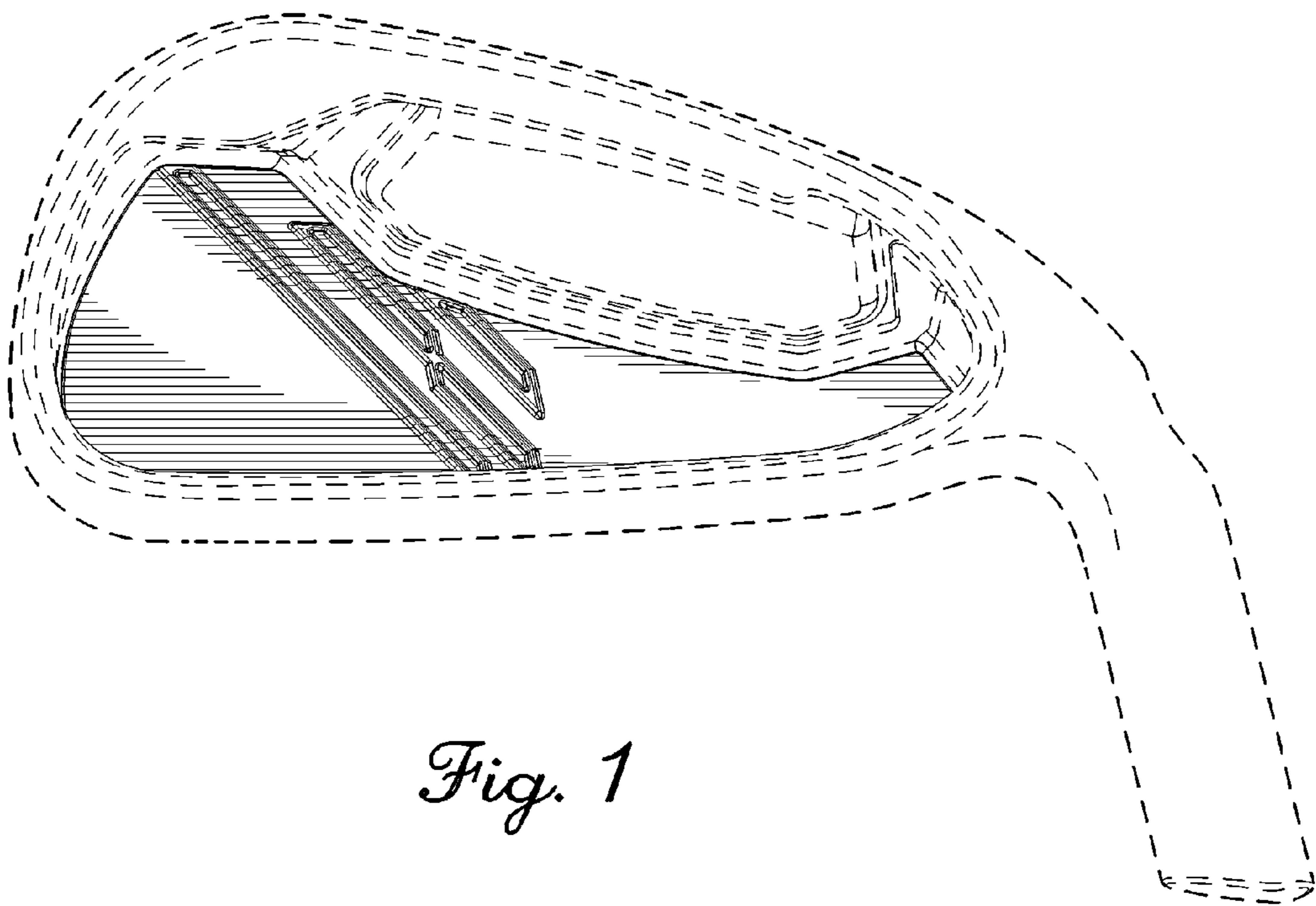


Fig. 1

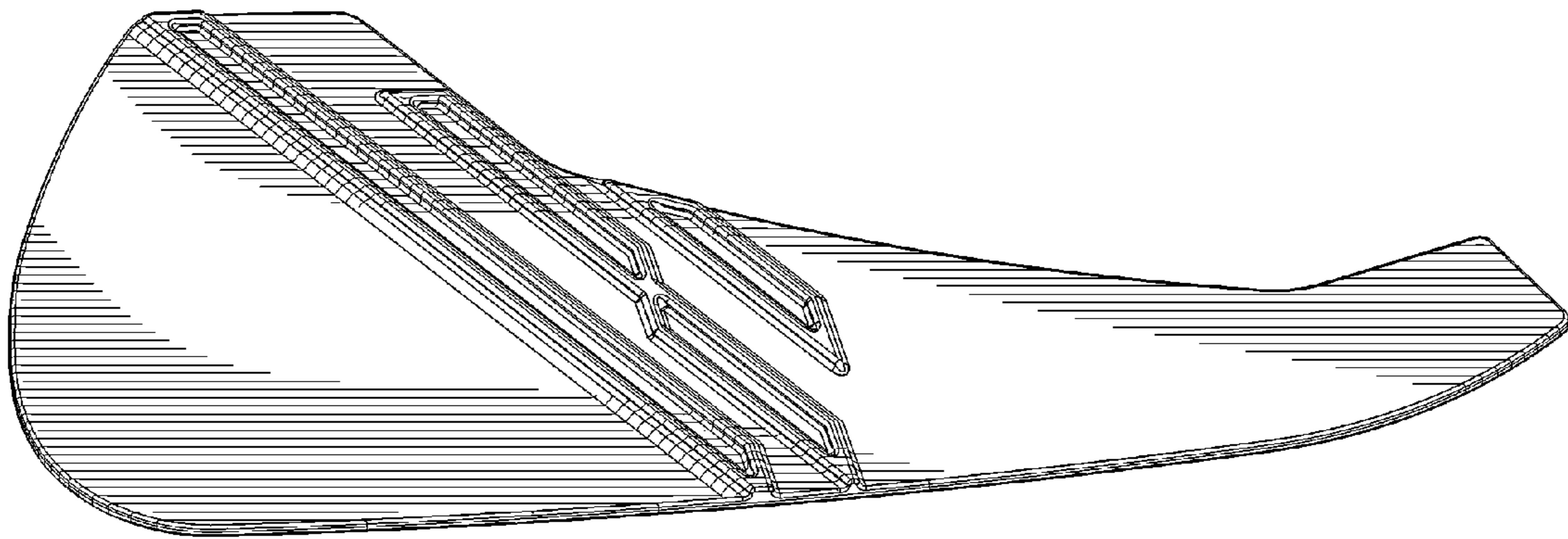


Fig. 2

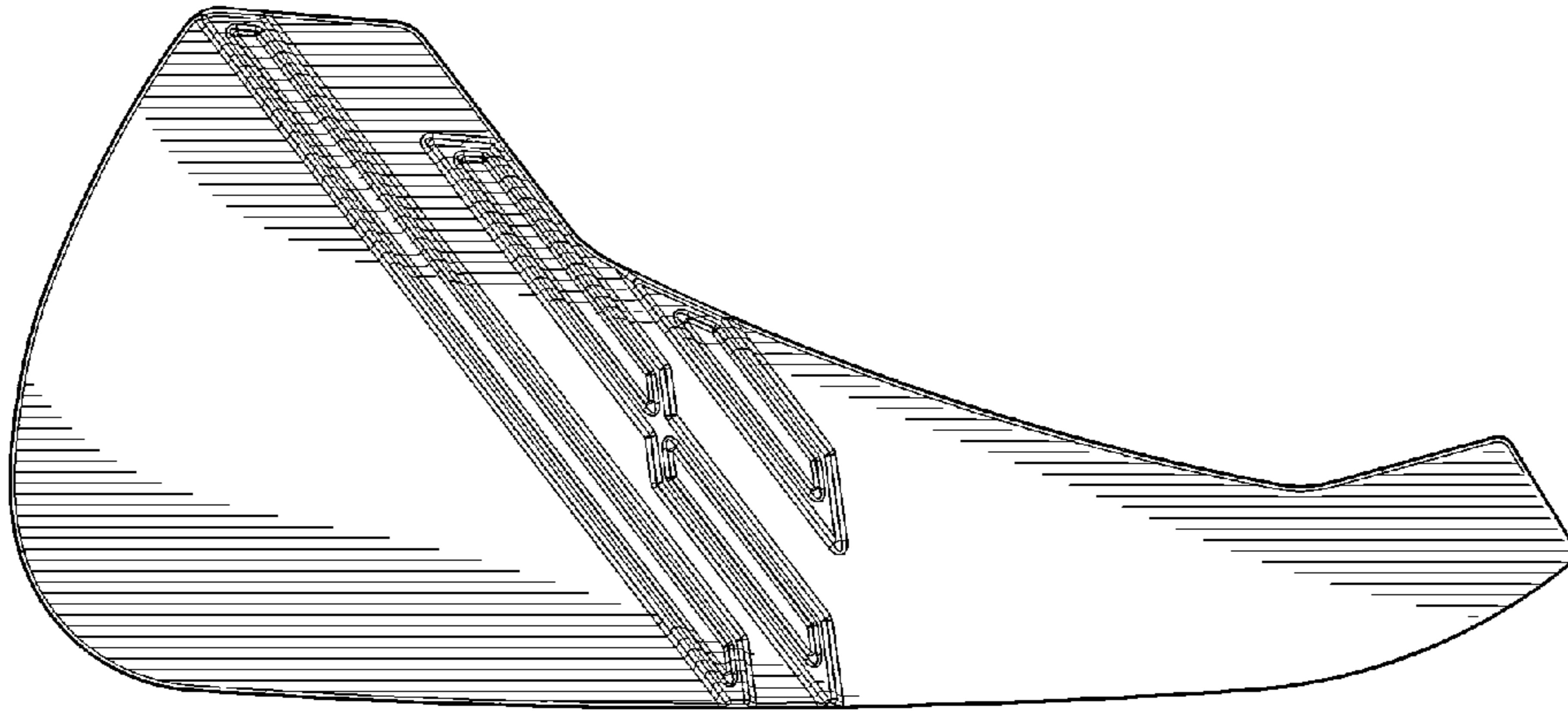


Fig. 3

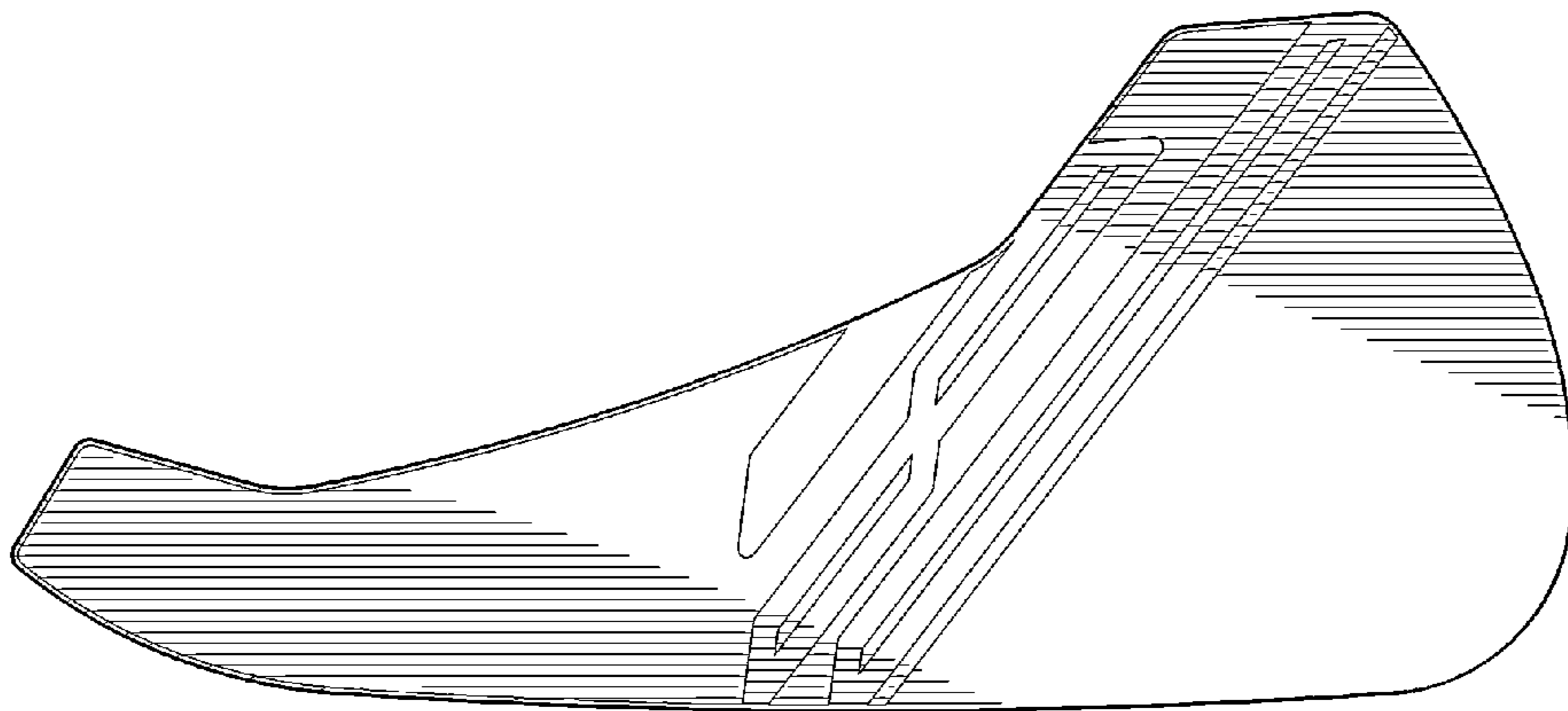


Fig. 4



Fig. 5

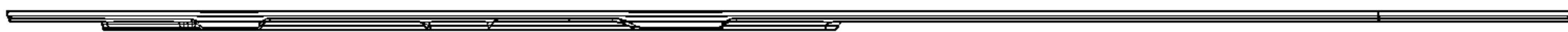


Fig. 6



Fig. 7



Fig. 8