



US00D709567S

(12) **United States Design Patent**  
**Baudhuin et al.**

(10) **Patent No.:** **US D709,567 S**  
(45) **Date of Patent:** **\*\* Jul. 22, 2014**

(54) **EXERCISE BICYCLE FRAME**

(75) Inventors: **John R Baudhuin**, Venice, CA (US);  
**John Cook**, Venice, CA (US)

(73) Assignee: **Mad Dogg Athletics, Inc.**, Venice, CA  
(US)

(\*\*) Term: **14 Years**

(21) Appl. No.: **29/374,088**

(22) Filed: **Jun. 30, 2011**

(51) **LOC (10) Cl.** ..... **21-02**

(52) **U.S. Cl.**

USPC ..... **D21/697**

(58) **Field of Classification Search**

USPC ..... D21/662-670, 694, 697; 482/51-52,  
482/57-65; 280/261, 266, 282, 284, 288.1,  
280/288.3, 304.4, 835; D12/111

See application file for complete search history.

(56) **References Cited**

**U.S. PATENT DOCUMENTS**

562,198 A	6/1896	Robinson
588,166 A	8/1897	McCoy
633,534 A	9/1899	Read
635,082 A	10/1899	Stiles
671,785 A	4/1901	Young et al.
1,336,774 A	4/1920	Cooper
1,507,554 A	9/1924	Cooper
1,636,327 A	7/1927	Roe
3,062,204 A	11/1962	Stefano
3,511,097 A	5/1970	Corwin
D251,747 S	5/1979	Valentine et al.
4,188,030 A	2/1980	Hooper
D280,117 S	8/1985	Collins
D280,118 S	8/1985	Collins
4,577,860 A	3/1986	Matias

D284,596 S	7/1986	McNeil	
4,632,386 A	12/1986	Beech	
D289,782 S	5/1987	Szymiski et al.	
D291,462 S	8/1987	Aalto	
D292,304 S	10/1987	Ostrom	
4,768,777 A	9/1988	Yang	
4,772,069 A	9/1988	Szymiski	
4,775,145 A *	10/1988	Tsuyama	482/63
4,824,102 A	4/1989	Lo	

(Continued)

**FOREIGN PATENT DOCUMENTS**

CN	301072944D	12/2009
WO	WO 96/25984	8/1996

**OTHER PUBLICATIONS**

Schwinn Fitness, Evolution-SR, 2004.  
Schwinn Fitness, IC Pro, 2004.

(Continued)

*Primary Examiner* — Phillips S Hyder

(74) *Attorney, Agent, or Firm* — Maceiko IP

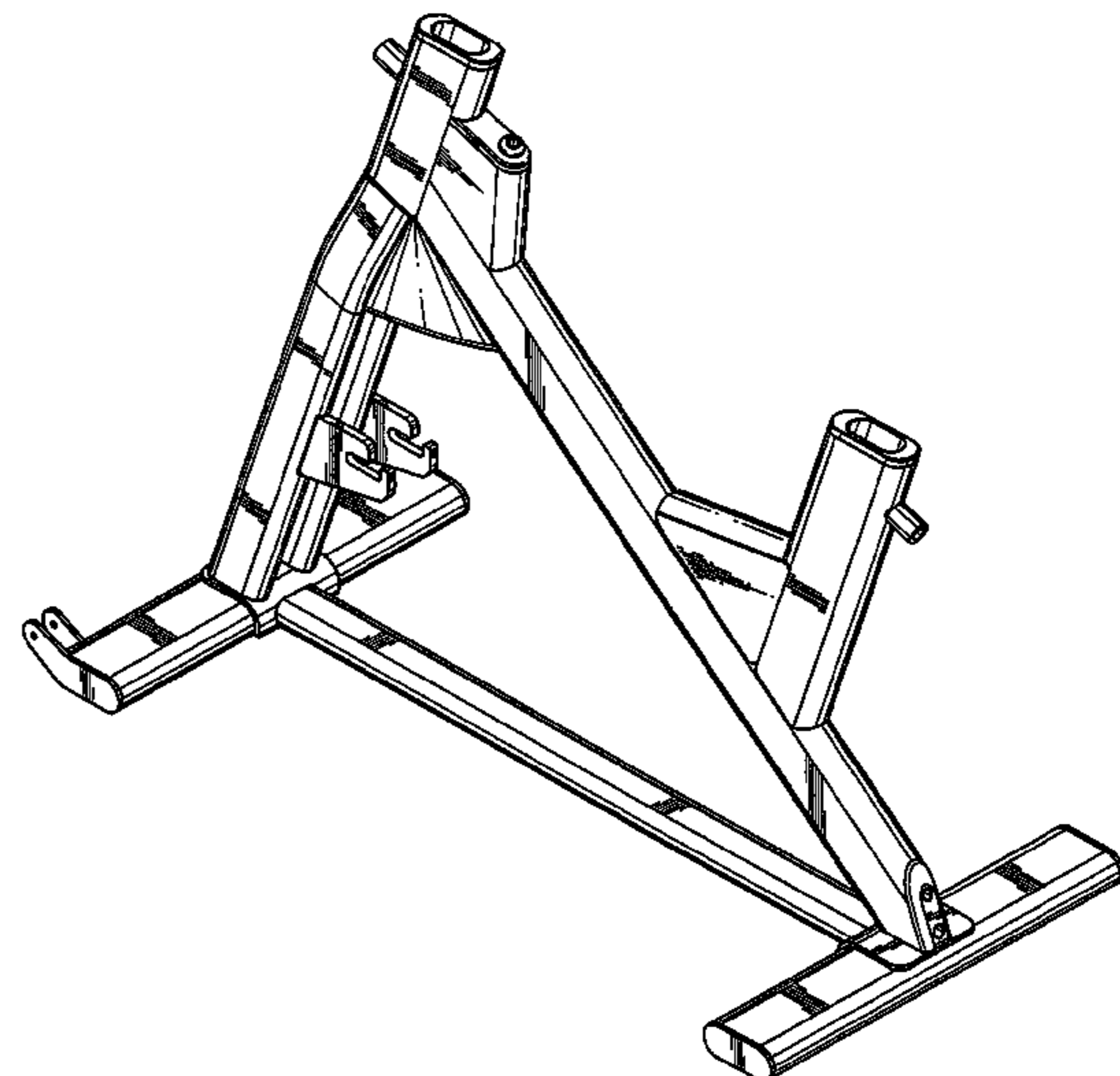
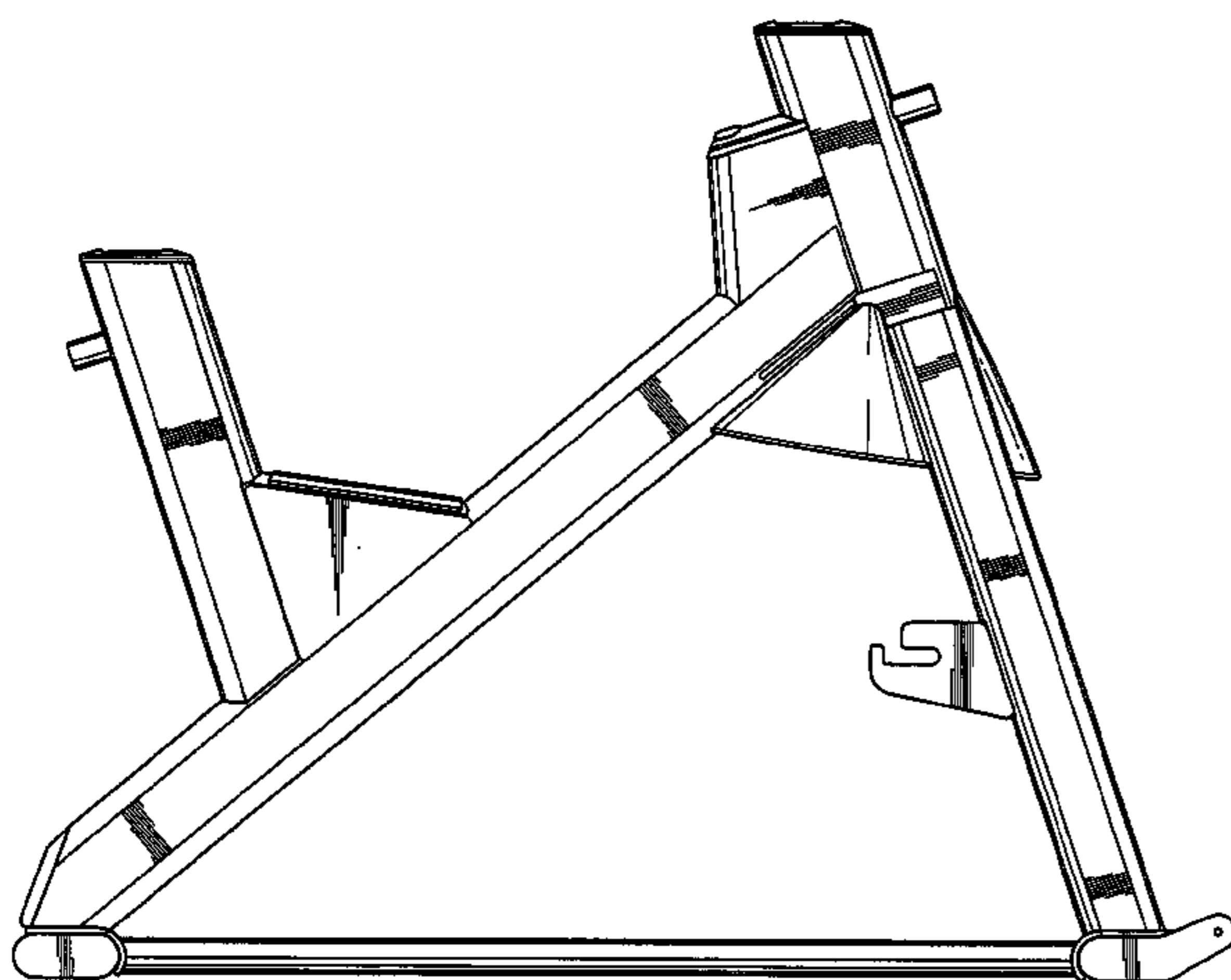
(57) **CLAIM**

The ornamental design for an exercise bicycle frame, as shown and described.

**DESCRIPTION**

FIG. 1 is a right side view of an exercise bicycle frame.  
FIG. 2 is a left side view of an exercise bicycle frame.  
FIG. 3 is a rear view of an exercise bicycle frame.  
FIG. 4 is a front view of an exercise bicycle frame.  
FIG. 5 is a bottom view of an exercise bicycle frame.  
FIG. 6 is a top view of an exercise bicycle frame; and,  
FIG. 7 is a left rear perspective view of an exercise bicycle frame.

**1 Claim, 7 Drawing Sheets**



(56)

References Cited

U.S. PATENT DOCUMENTS

4,880,225	A	11/1989	Lucas et al.	
4,902,001	A	2/1990	Balbo	
4,915,374	A	4/1990	Watkins	
4,936,570	A	6/1990	Szymski et al.	
5,000,469	A	3/1991	Smith	
5,145,477	A	9/1992	Han	
5,145,480	A *	9/1992	Wang	482/63
5,232,422	A	8/1993	Bishop, Jr.	
5,336,147	A	8/1994	Sweeney, III	
5,423,728	A	6/1995	Goldberg	
D382,924	S	8/1997	Wu	
D382,925	S	8/1997	Wu	
5,716,304	A	2/1998	Wang et al.	
D407,767	S	4/1999	Chang	
D459,775	S	7/2002	Chen	
D460,133	S	7/2002	Baker	
D460,794	S	7/2002	Baker	
D465,818	S	11/2002	Goldberg	
D473,274	S	4/2003	Baudhuin et al.	
D473,602	S	4/2003	Baudhuin et al.	
D474,252	S	5/2003	Lull et al.	
6,612,970	B2 *	9/2003	Forcillo	482/57
6,881,178	B1 *	4/2005	Goldberg	482/57
D507,313	S	7/2005	Goldberg	
7,004,888	B1 *	2/2006	Weng	482/57
D532,063	S *	11/2006	Kim et al.	D21/697
D533,237	S *	12/2006	Lassanske et al.	D21/698
7,264,577	B2 *	9/2007	Lin	482/63
D616,050	S *	5/2010	Lull	D21/667
D625,762	S *	10/2010	Fon	D21/667
7,901,334	B2 *	3/2011	Chen et al.	482/63
D649,607	S *	11/2011	Lull	D21/697
8,052,581	B1 *	11/2011	Lohr et al.	482/63

OTHER PUBLICATIONS

Schwinn Fitness, IC Elite, 2004.  
 Schwinn Fitness Equipment, Johnny G. Spinner, 1995-1996, 1 page.  
 Schwinn Fitness Equipment, DX900, 1995-1996, 1 page.  
 Schwinn Fitness Equipment, Personal Trainer 105, 1995-1996, 1 page.  
 Shokk USA, Shokk, 2008 IHRSA, 1 page.  
 Spinfitness Product Catalog, eSpinner, 2009, 1 page.  
 Spinfitness Product Catalog, Spinner Elite, 2009, 1 page.  
 Spinfitness Product Catalog, Spinner Fit, 2009, 1 page.  
 www.ssgecom.com, Keys Ironman 112M Spinner Bike, Feb. 23, 2006, 2 pages.  
 www.ssgecom.com, StarTrac V-Bike, Feb. 23, 2006, 1 page.  
 www.tomahawk.de, XL Bike, 2003, 1 page.  
 www.tomahawk.de, XXL Bike, 2003, 1 page.  
 www.tomahawk.de, XXL 1, 2003, 1 page.  
 www.tomahawk.de, XXL 2, 2003, 1 page.  
 www.tomahawk.de, XXL 3, 2003, 1 page.  
 www.tomahawk.de, ICE, 2003, 1 page.  
 www.trixter.net, Trixter X-600, Mar. 28, 2008, 1 page.  
 www.trixter.net, Trixter Bikes X-400, Mar. 28, 2008, 1 page.  
 Spinfitness Product Catalog, Spinner NXT, 2009, 1 page.  
 Spinfitness Product Catalog, Spinner Pro, 2009, 1 page.  
 Spinfitness Product Catalog, Spinner Sport, 2009, 1 page.  
 Spinfitness Product Catalog, Spinner V, 2009, 1 page.  
 Spinfitness Product Catalog, Spinner Velo, 2009, 1 page.  
 Stamina, CPS 9200, Feb. 13, 2009, 1 page.  
 Stamina, CPS 9200 Indoor Cycle, Sep. 29, 2010, 1 page.  
 Star Trac, eSpinner, 2008, 2 pages.  
 Star Trac, V-Bike, Owner's Manual cover page, Mar. 26, 2003, 1 page.  
 Summit Cycles, Summit, 2003, 1 page.  
 Nautilus Schwinn Fitness, Schwinn A.C. Performance, 2009.  
 Nautilus Schwinn Fitness, Schwinn A.C. Sport, 2009.  
 Nautilus Schwinn Fitness, Schwinn A.C. Classic, 2009.  
 Nautilus Schwinn Fitness, Schwinn IC Pro, 2009.  
 Power-Lift, Spin Bike—PLSPIN, 2008, 1 page.

RealRyder International LLC, RealRyder ABF7, 2008, 1 page.  
 Reebok, Studio Cycle, 1996, 1 page.  
 Schwinn IC Bikes, Schwinn Indoor Cycling, New IC Pro/Elite, Mar. 2002 IHRSA Show.  
 Schwinn IC Bikes, Schwinn Indoor Cycling, New Smart Release (IC Elite Model), Mar. 2002 IHRSA Show.  
 Schwinn Fitness, Evolution, 2004.  
 Lemond Fitness, Inc., LeMond RevMaster, 2008, 2 pages.  
 Lemond Fitness, Inc., LeMond RevMaster, Jan. 29, 2003, 2 pages.  
 Lemond Fitness, Inc., RevMaster, 2007, 1 page.  
 Lemond Fitness, Inc., RevMaster Pilot, May 27, 2004, 1 page.  
 Lifecore Fitness, LC-ST, 2008, 2 pages.  
 Life Fitness, Jan. 15, 2008, 1 page.  
 Lime Pro-Equipment, S1.0, 2008, 3 pages.  
 Mad Dogg Athletics, Inc., Spinner NXT, 2008, 1 page.  
 Mad Dogg Athletics, Inc., Spinner Pro, 2008, 1 page.  
 Mad Dogg Athletics, Inc., Spinner Velo, 2008, 1 page.  
 Technogym, 2009, 1 page.  
 Willygoat Home & Outdoor, 112M Spin Bike, Jan. 11, 2008, 1 page.  
 www.cdn.overstock.com, Stamina CPS 9200, Feb. 16, 2009, 1 page.  
 www.exercisebikes.com, Aristo Commercial CS2 Indoor Cycle Trainer, Apr. 9, 2012, 1 page.  
 www.indoorcycling.com, Tomahawk, May 19, 2009, 1 page.  
 www.indoorcycling.com, My Ride, May 19, 2009, 1 page.  
 www.schwinnfitness.com, DX900 Upright Bike, Aug. 25, 2004, 1 page.  
 www.spin-bikes.com, Pro-100, Apr. 15, 2006, 1 page.  
 www.spinning.com, Spinner Elite, 2008, 1 page.  
 www.spinning.com, Spinner V, 2008, 1 page.  
 BH Fitness, BH Fitness Products Indoor Cycling, SB3 Magnetic, LCU Optional, 2010, 2 pages.  
 BH Fitness, BH Fitness Products Indoor Cycling, SB3 Magnetic, LCU, 2010, 2 pages.  
 BH North America, BH Fitness, SB4, 2008, 4 pages.  
 BH Fitness, BH Fitness Products Indoor Cycling, Spada GSG, 2010, 2 pages.  
 BH Fitness, BH Fitness Products Indoor Cycling, Spada Magnetic, 2010, 2 pages.  
 BH North America, Bladez/Ion Fitness Bikes, Aeropro, 2010, 2 pages.  
 BH North America, Bladez Fitness Bikes, Agility, 2010, 2 pages.  
 BH North America, Bladez/Ion Fitness Bikes, Ascent, 2010, 2 pages.  
 BH North America, Bladez/Ion Fitness Bikes, Countdown, 2010, 3 pages.  
 BH North America, Bladez Fitness Bikes, Evora, 2010, 2 pages.  
 Fitness Outlet.com, Reebok Studio Cycle, Jan. 29, 2003, 1 page.  
 Healthcare International, Navigator, 2008, 1 page.  
 healthstyleexercise.com, Reebok Studio Cycle C, Feb. 3, 2003, 1 page.  
 Hydorrider, AquaBike Easy Line, 2008, 1 page.  
 Hydorrider, AquaBike Professional, 2008, 2 pages.  
 Ironman, 2007, 1 page.  
 Kettler, ergoracer gt, Sep. 17, 2007, 1 page.  
 Kettler, speed pro, Sep. 17, 2007, 1 page.  
 KHS Bicycles, Spnergy, Mar. 31, 2006, 1 page.  
 Lemond Fitness, Inc., g-force ut, 2008, 1 page.  
 1984 Fitness Range From Pan'S World, Folding Cycle III, PA-301A.  
 1984 Fitness Range From Pan'S World, Exerciser, PA-302.  
 1984 Fitness Range From Pan'S World, Home Cycle, PA 303.  
 1984 Fitness Range From Pan'S World, Swing Exercise Bike, PA-304.  
 1984 Fitness Range From Pan'S World, Exercise Bike, PA-305.  
 1984 Fitness Range From Pan'S World, Exerciser, PA-306.  
 BH Fitness, The Duke, Sep. 17, 2007.  
 BH Fitness, SB2 Pro, Jan. 11, 2008.  
 Bicycling, Nov. 1989.  
 Body Bike International, Body Bike Indoor Cycles, Basic, 2008.  
 Mad Dogg Athletics, Inc., Spinning, Your Guide to Ride pamphlet, 2008 IHRSA, 4 pages.  
 Matrix Fitness Indoor Cycling, S-Series LS, 2009.  
 Matrix Fitness Indoor Cycling, E-Series LS, 2009.  
 Matrix Fitness Indoor Cycling, MyRide, 2009.  
 Matrix Fitness Systems, Tomahawk E-Series, 2008.

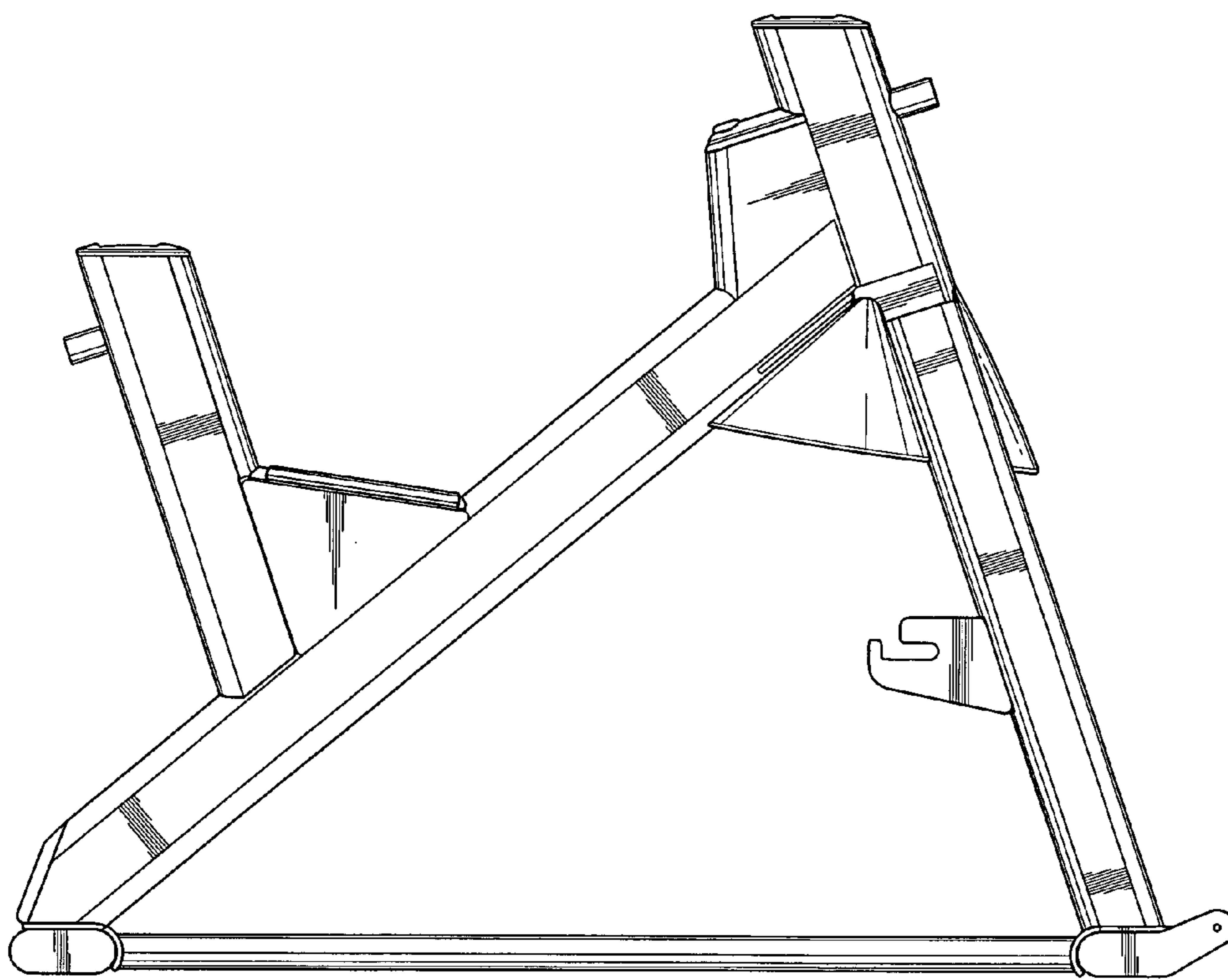
(56)

**References Cited**

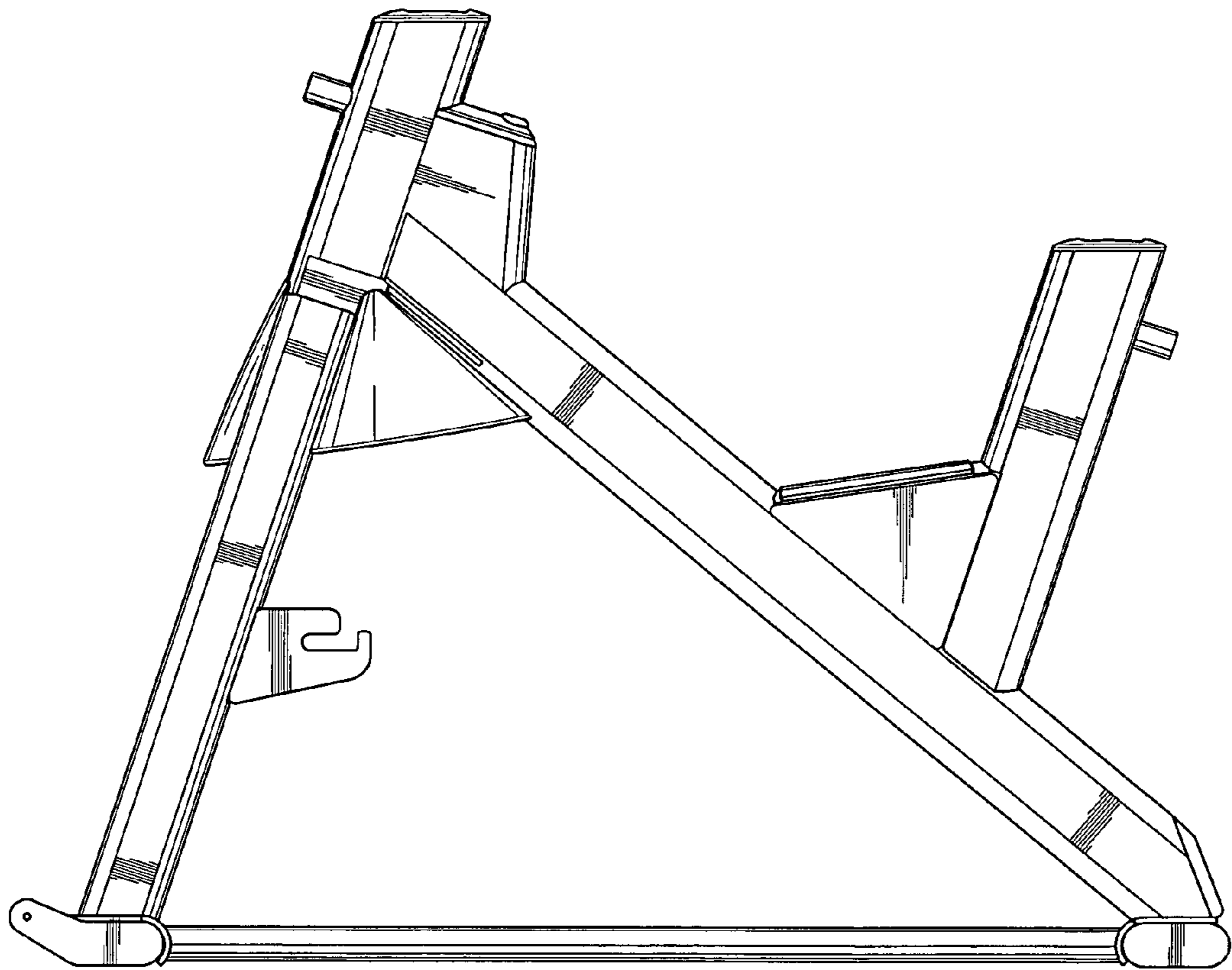
## OTHER PUBLICATIONS

- Matrix Fitness Systems, Tomahawk S-Series, 2008.  
 Millenium Fitness International, BodyCycle, 2003, 1 page.  
 MOTUS, Motus Fusion Group, 2008, 1 page.  
 MOTUS, Motus NRG Group, 2008, 1 page.  
 Multisports, EnduroCycle, ENC-200N, 2007.  
 Multisports, EnduroCycle, ENC-3605/Y, 2007.  
 Multisports, EnduroCycle, ENC-420SL/YL, 2007.  
 Multisports, EnduroCycle, ENC-500B/S, 2007.  
 Multisports, EnduroCycle, ENC-600NL/YL, 2007.  
 Multisports, EnduroCycle, ENC-620L, 2007.  
 Multisports, EnduroCycle, ENC-650CL/SL, 2007.  
 Multisports, EnduroCycle, ENC-660CL, 2007.  
 Nautilus Schwinn Fitness, Evolution Series, 2008.  
 Nautilus Schwinn Fitness, IC Pro Series, 2008.  
 Nautilus Schwinn Fitness, IC Elite Series, 2008.  
 www.trixter.net, Trixter Bikes X-800, Mar. 28, 2008, 1 page.  
 www.trixter.net, Trixter Bikes X-1000, Mar. 28, 2008, 1 page.  
 www.trixter.net, Trixter X-Bike 1000, Mar. 28, 2008, 1 page.  
 www.trixter.net, Trixter XBIke 600, Mar. 28, 2008, 2 pages.  
 www.X-Biking.com, XBIke 400 Trixter, Jan. 2008, 1 page.  
 www.X-Biking.com, XBIke 800 Trixter, Jan. 2008, 1 page.  
 www.X-Biking.com, XBIke 1000 Trixter, Sep. 17, 2007, 1 page.  
 BH North America, Bladez/Ion Fitness Bikes, Fusion, 2010, 2 pages.  
 BH North America, Bladez/Ion Fitness Bikes, Jet Bike, 2010, 2 pages.  
 BH North America, Bladez/Ion Fitness Bikes, Jet Bike GS, 2010, 2 pages.  
 BH North America, Bladez/Ion Fitness Bikes, KZ1, 2010, 2 pages.  
 BH North America, Bladez/Ion Fitness Bikes, Master, 2010, 2 pages.  
 BH North America, Bladez/Ion Fitness Bikes, Spinpower, 2010, 1 page.  
 BH North America, Bladez/Ion Fitness Bikes, Sprintwinner, 2010, 2 pages.  
 BH North America, Bladez/Ion Fitness Bikes, SX Pro, 2010, 2 pages.  
 BH North America, Bladez/Ion Fitness Bikes, Velopro-US, 2010, 2 pages.  
 BHFitness, BH Fitness Products Indoor Cycling, Duke, 2010, 2 pages.  
 BH Fitness, BH Fitness Products Indoor Cycling, Duke Electronic, 2010, 2 pages.  
 BH Fitness, BH Fitness Products Indoor Cycling, Duke Magnetic, 2010, 2 pages.  
 BH Fitness, BH Fitness Products Indoor Cycling, G5 Ergo Tour, 2010, 2 pages.  
 BH Fitness, BH Fitness Products Indoor Cycling, SB0, 2010, 2 pages.  
 BH Fitness, BH Fitness Products Indoor Cycling, SB1, 2010, 2 pages.  
 BH Fitness, BH Fitness Products Indoor Cycling, SB 1.0, 2010, 2 pages.  
 BH Fitness, BH Fitness Products Indoor Cycling, SB2, 2010, 2 pages.  
 BH North America, BH Fitness, SB2b, 2010, 4 pages.  
 BH Fitness, BH Fitness Products Indoor Cycling, SB2.0, 2010, 2 pages.  
 Body Bike International, Body Bike Indoor Cycles, Classic, 2008.  
 Body Bike International, Body Bike Indoor Cycles, Classic Stainless Steel, 2008.  
 Body Bike International, Body Bike Indoor Cycles, Classic Supreme, 2008.  
 Body Bike International, Body Bike Indoor Cycles, Premium HBS, 2008.  
 Body Cycle, Avenger, Jan. 27, 2003.  
 Cycleops Power, Club Pro 300PT, 2008.  
 Espresso Fitness, Espresso Bikes, The Technology, 2008 IHRSA.  
 Fitness Industry Technology, Schwinn A.C. Performance Series, 2010 IHRSA.  
 Fitness Masters, Inc., Xmomentum, Sep. 17, 2007.  
 Fitness Masters, Inc., Xvelocity, Sep. 17, 2007.  
 1999 Spinning Catalog, Johnny G. Spinner Elite, 1 page.  
 1999 Spinning Catalog, Johnny G. Spinner Pro, 1 page.  
 1999 Spinning Catalog, Johnny G. Spinner Special Edition, 1 page.  
 2002 Spinning Catalog, Johnny G. Spinner Elite, 1 page.  
 2004 Spinning Catalog, Spinner Pro, 1 page.  
 2006 Spinning Catalog, Spinner Sport, 1 page.  
 2008 Spinning Catalog, Spinner Elite, 1 page.  
 2008 Spinning Catalog, Spinner Pro, 1 page.  
 2008 Spinning Catalog, Spinner Velo, 1 page.

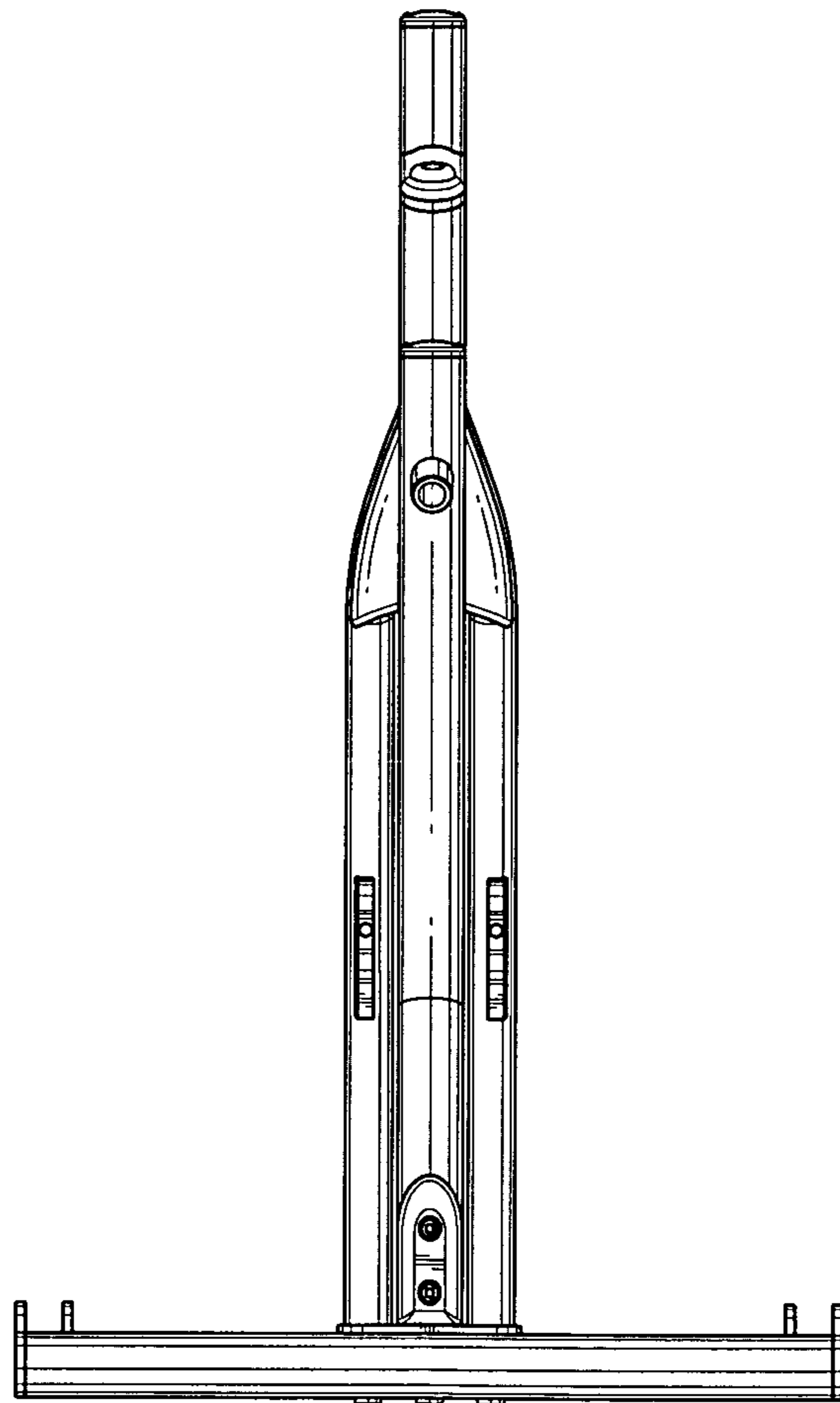
\* cited by examiner



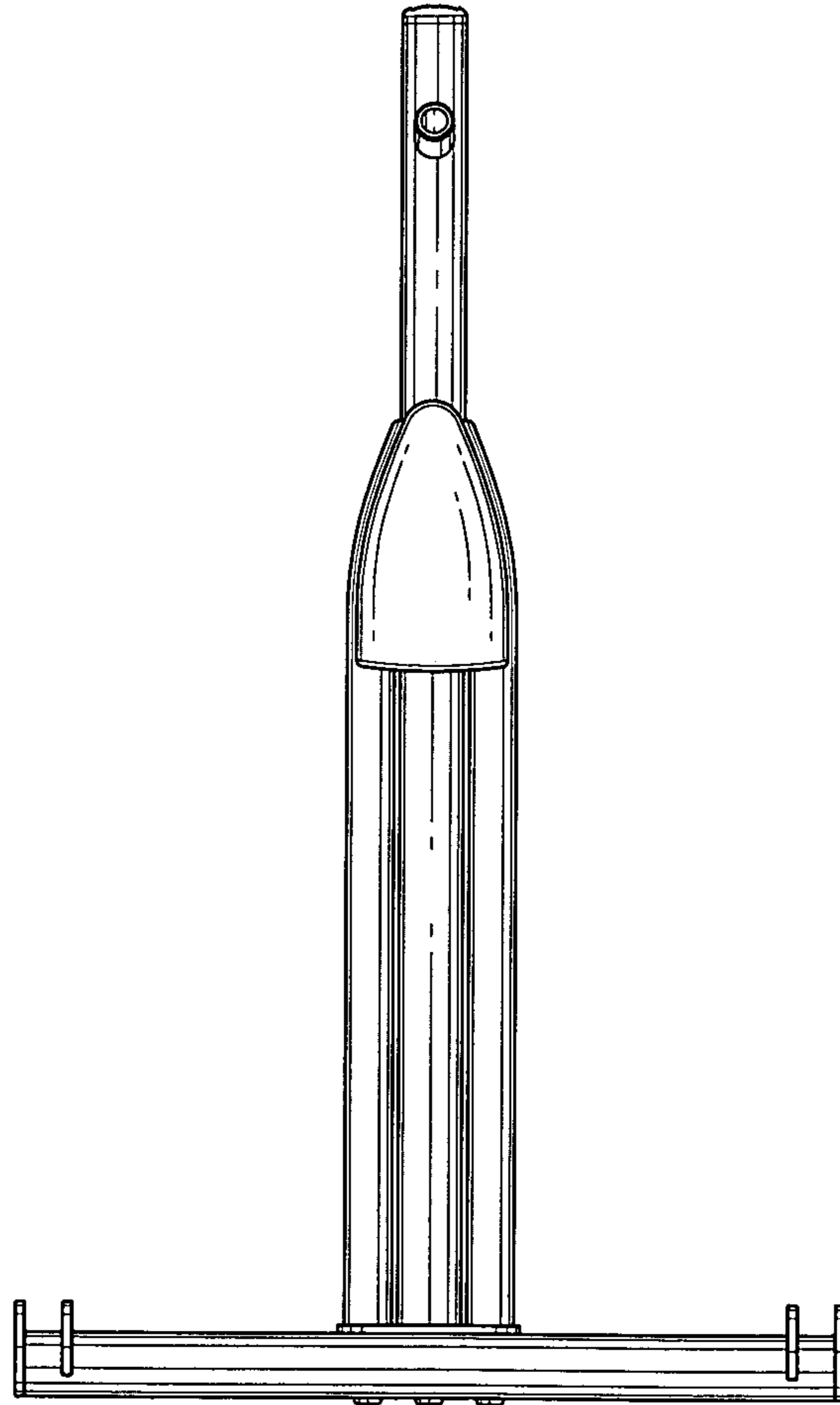
*FIG. 1*



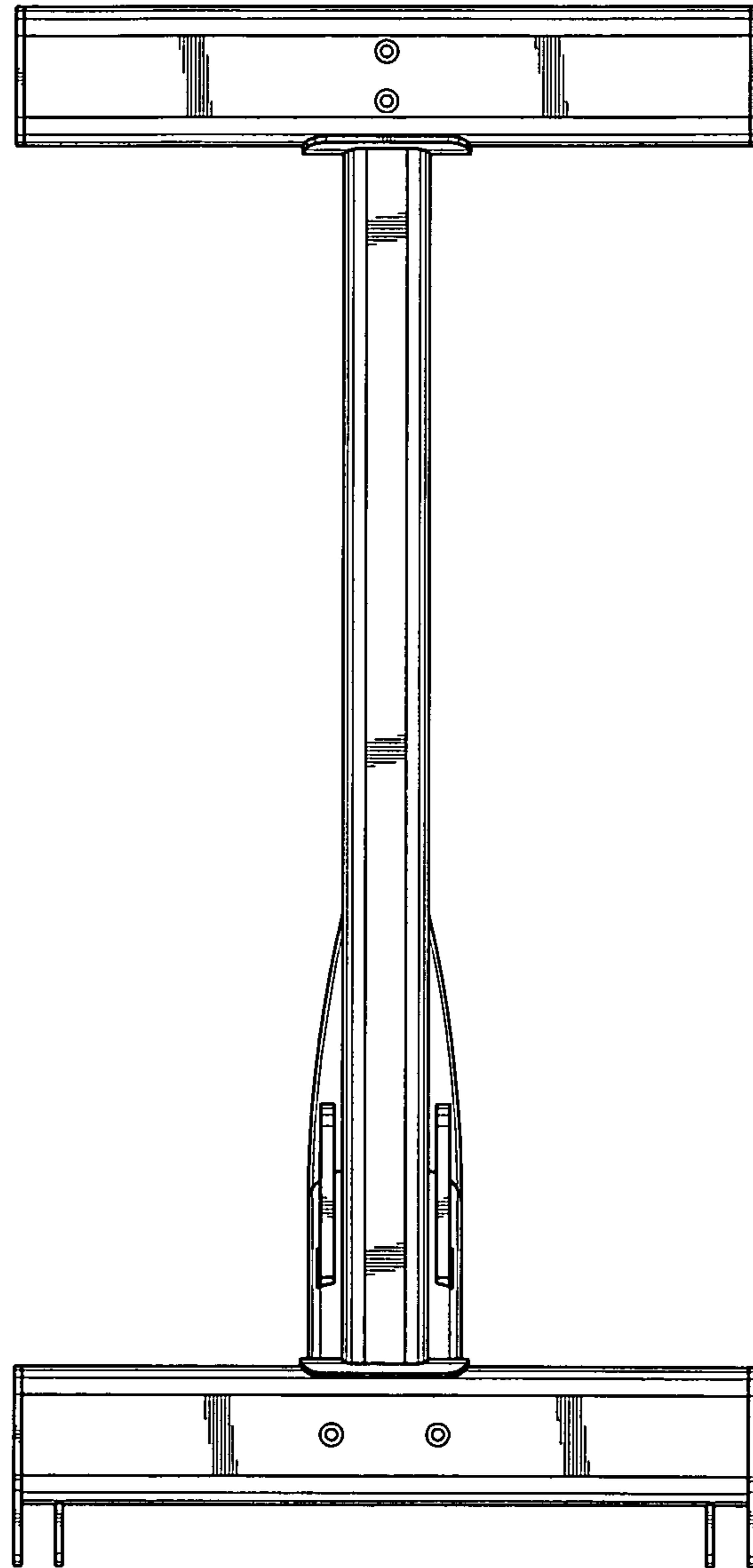
*FIG. 2*



*FIG. 3*

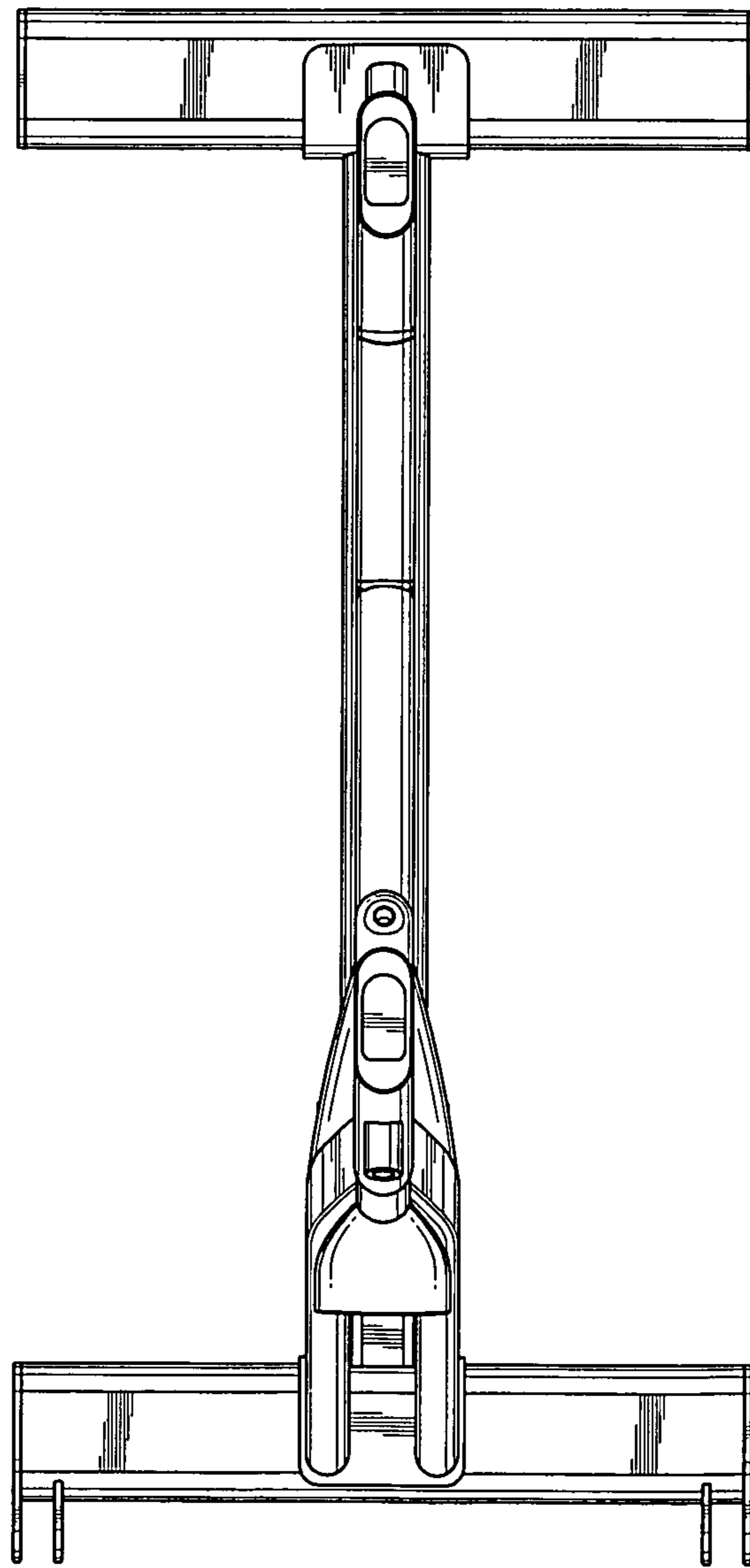


*FIG. 4*

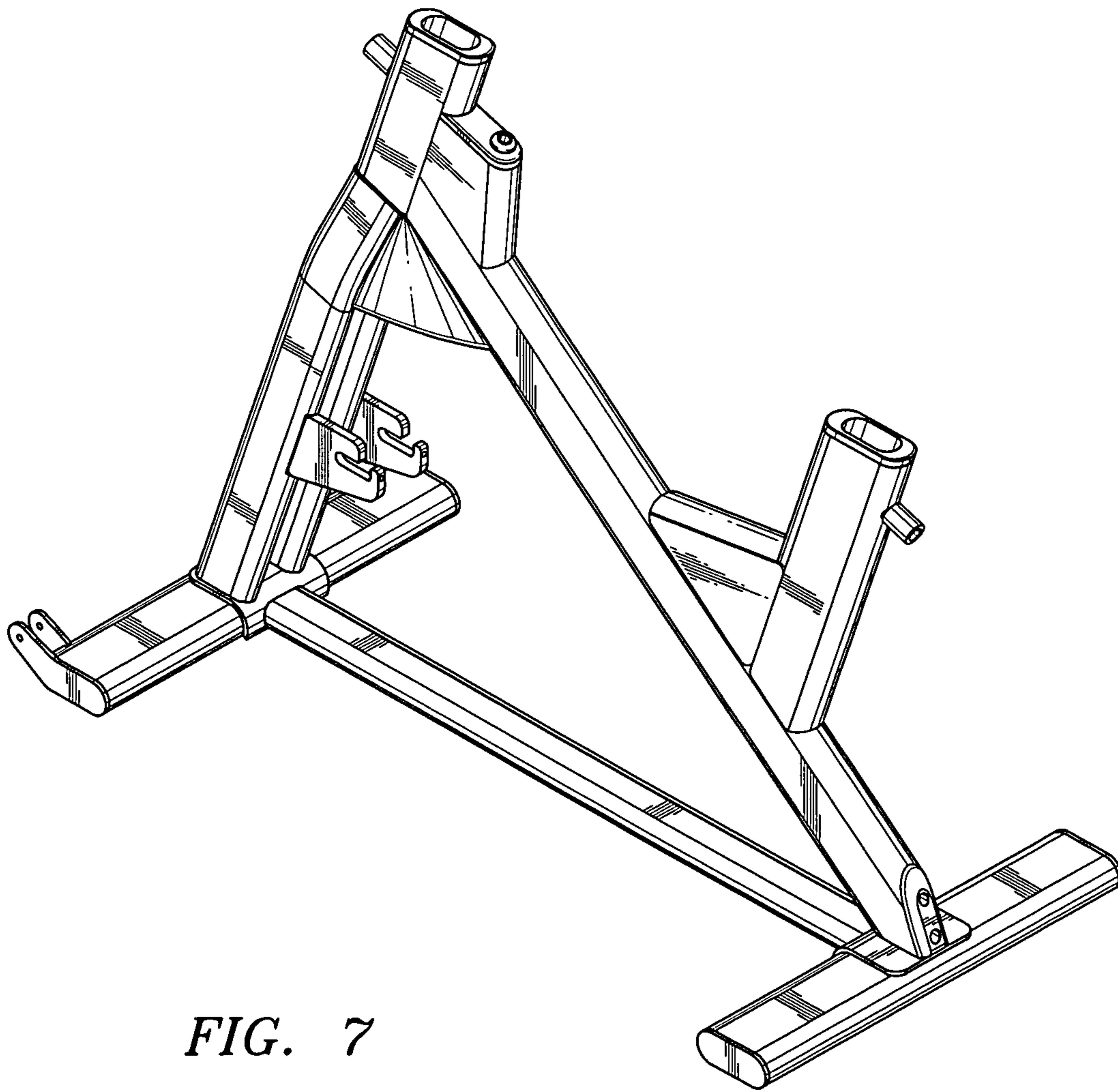


*FIG. 5*





*FIG. 6*



*FIG. 7*