



US00D709565S

(12) **United States Design Patent**
Baumann et al.

(10) **Patent No.:** **US D709,565 S**
(45) **Date of Patent:** **** Jul. 22, 2014**

(54) **SUCTION CUP TOY**

(71) Applicant: **Procreate Brands LLC**, Ferndale, WA (US)

(72) Inventors: **Scott Baumann**, Anacortes, WA (US);
Brian Wheeler, Bellingham, WA (US)

(73) Assignee: **Octoblocs LLC**, Ferndale, WA (US)

(**) Term: **14 Years**

(21) Appl. No.: **29/471,106**

(22) Filed: **Oct. 28, 2013**

(51) **LOC (10) Cl.** **21-01**

(52) **U.S. Cl.**
USPC **D21/398**; D21/407; D21/498

(58) **Field of Classification Search**
USPC D21/300–302, 304, 309, 385–389,
D21/398–400, 404, 405–407, 436–440, 453,
D21/455, 460, 461, 465, 466, 471, 473, 479,
D21/483, 493, 498, 503, 561–563, 567, 572,
D21/576–661, 681, 682, 694, 707, 714, 787,
D21/790, 794, 798, 811, 812; 446/92,
446/46–48, 69, 71–73, 75, 77, 85, 97–101,
446/117, 120, 121, 124, 125, 126, 128, 129,
446/137–139, 177, 182–184, 186, 187, 193,
446/197, 198, 220–226, 268, 320, 321, 324,
446/337–339, 376, 383, 390, 391, 419, 421,
446/431, 437–439, 458, 486, 487, 489;
473/614, 569–576, 579, 580, 588, 589,
473/592, 595, 596, 612, 615; D19/65, 66,
D19/71, 86, 90, 91, 95–97; D11/121, 124,
D11/125, 127–130, 131, 157, 158, 160, 164,
D11/181; D20/10, 12, 16, 17, 19, 21,
D20/29–32, 41; D25/126, 128, 130, 133,
D25/135; D8/29, 71, 300, 303, 305, 310,
D8/315, 318, 349, 354, 373, 376, 378, 379,
D8/402, DIG. 1–DIG. 8; D7/590–597, 599,

D7/611, 665, 669, 670, 393, 395, 396;
D24/115, 200, 211–215; D28/92, 93;
D30/160; D9/600–681, 500–505;
D26/1–7, 25, 40, 41; 428/8, 9, 11, 12,
428/28; 119/707–711; 248/683, 688, 206.2,
248/206.3, 206.4, 205.5–205.8, 363
See application file for complete search history.

(56) **References Cited**

U.S. PATENT DOCUMENTS

745,404 A	12/1903	Tower	
1,065,307 A	6/1913	Evertts	
1,193,991 A	8/1916	Cigol	
D75,220 S	5/1928	Dahlstrom	
2,074,519 A	3/1937	Shephard	
2,187,493 A *	1/1940	Gordon	473/609
2,187,524 A *	1/1940	Price	273/348.2
D119,035 S	2/1940	Lindgren	
D120,840 S *	5/1940	Singer	D21/387

(Continued)

Primary Examiner — Catherine Tuttle

(74) *Attorney, Agent, or Firm* — Tejpal S. Hansra

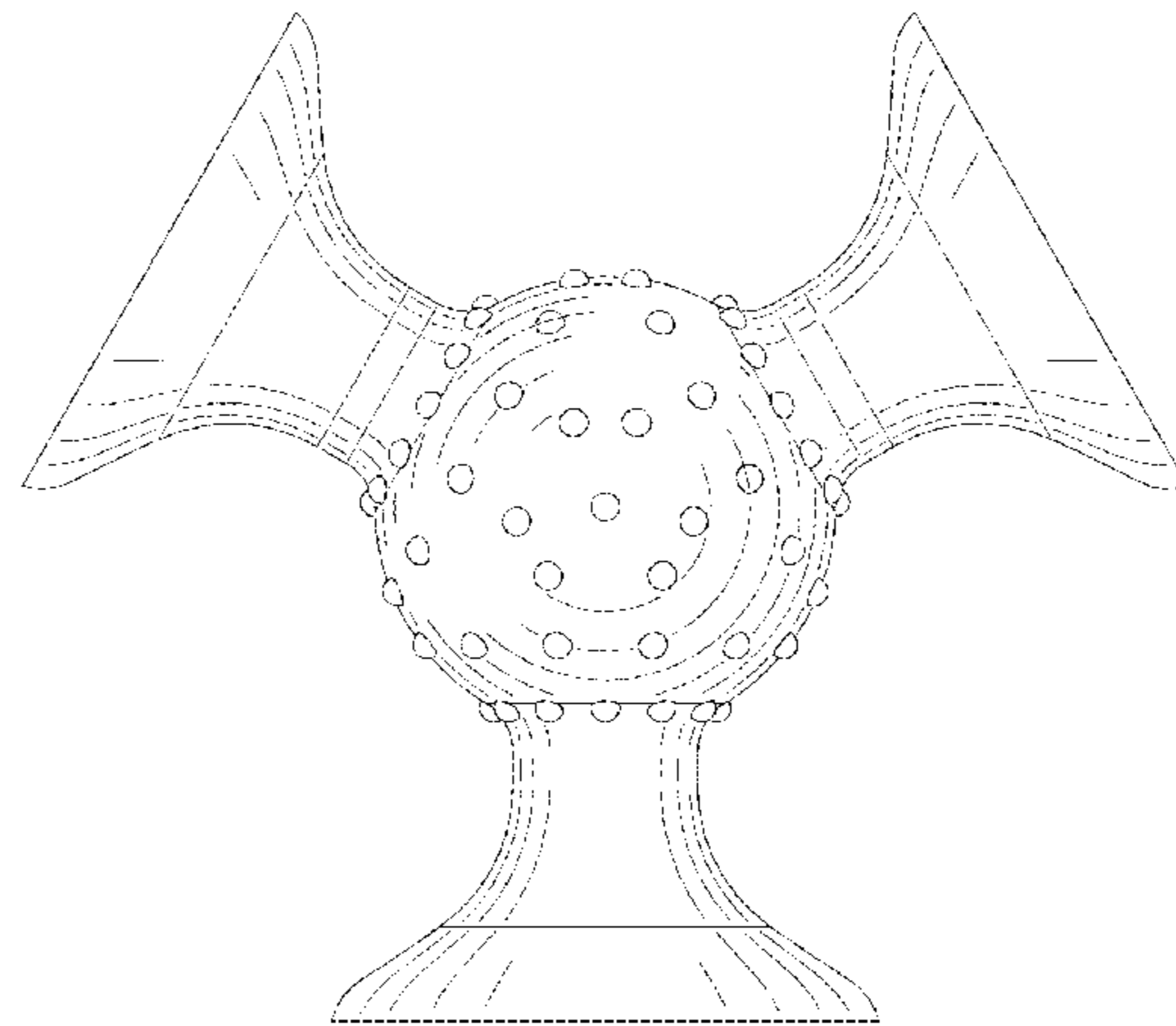
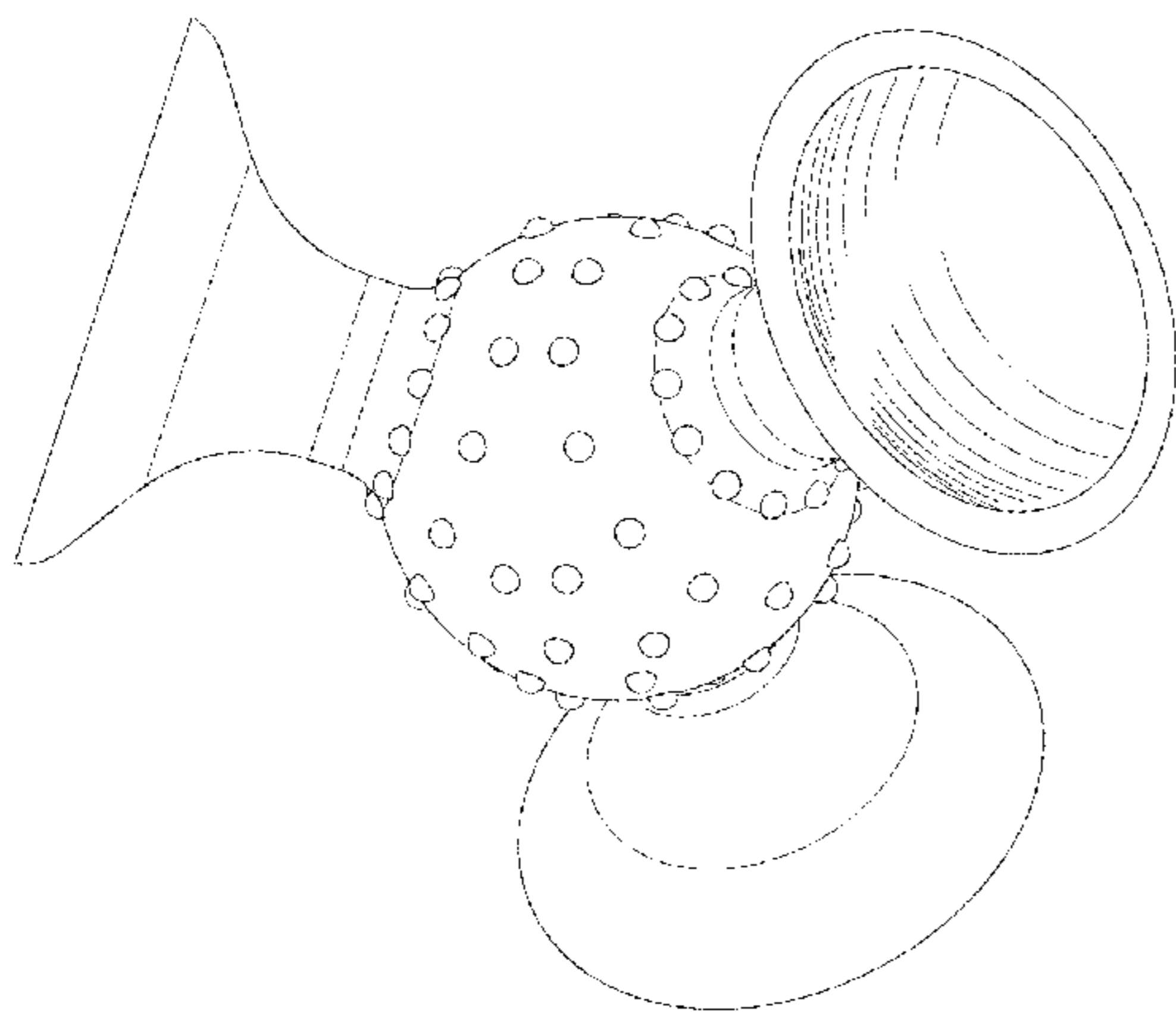
(57) **CLAIM**

The ornamental design for a suction cup toy, as shown and described.

DESCRIPTION

FIG. 1 is an isometric view of a suction cup toy showing our new design;
FIG. 2 is a front view thereof;
FIG. 3 is a right side view thereof;
FIG. 4 is a left side view thereof;
FIG. 5 is a back view thereof;
FIG. 6 is a top view thereof; and,
FIG. 7 is a bottom view thereof.

1 Claim, 3 Drawing Sheets



(56)

References Cited

U.S. PATENT DOCUMENTS

D122,424 S *	9/1940	Singer	D21/386	6,793,636 B1	9/2004	Pepera	
D125,096 S *	2/1941	Singer	D21/386	D519,588 S	4/2006	Carbonero	
D126,841 S *	4/1941	Singer	D21/707	7,022,036 B2	4/2006	Dufflon et al.	
2,385,977 A	10/1945	Farmer			D532,113 S	11/2006	Huang	
3,008,719 A	11/1961	Misko			7,198,536 B2	4/2007	Nuccio et al.	
3,104,877 A	9/1963	Gross			7,207,294 B2	4/2007	Stasio	
3,143,265 A	8/1964	Ruderian			7,448,967 B1	11/2008	Panneri et al.	
3,655,193 A	4/1972	Jones			D589,327 S	3/2009	Carnevali	
3,939,581 A *	2/1976	Clarke, Jr.	434/278	D612,521 S	3/2010	Liu et al.	
4,030,761 A	6/1977	Daller			7,806,746 B2	10/2010	Walterscheid	
4,291,490 A	9/1981	Ikeda			D633,902 S	3/2011	Tokuno	
4,339,138 A	7/1982	Di Manno			D641,433 S	7/2011	Walterscheid	
D275,410 S *	9/1984	Panicci	D21/455	D648,034 S	11/2011	Rice	
D276,450 S	11/1984	Panicci			8,047,936 B2	11/2011	Dufflon et al.	
D277,018 S	1/1985	Paczko			D661,031 S	5/2012	Christianson	
4,892,500 A	1/1990	Lau			D664,472 S	7/2012	Walterscheid	
D319,854 S	9/1991	Grant			D681,420 S	5/2013	Ileuov et al.	
5,045,011 A *	9/1991	Lovik	446/46	D685,146 S	6/2013	Stiles	
5,125,656 A	6/1992	Fabanich			D696,673 S	12/2013	Vogel	
5,199,716 A *	4/1993	DeFluiter et al.	473/572	2001/0029904 A1 *	10/2001	Viola 119/707
5,397,124 A *	3/1995	Nevel	273/461	2004/0018798 A1	1/2004	Chuang	
5,580,336 A *	12/1996	Coallier	482/44	2006/0030234 A1	2/2006	Stiber et al.	
5,603,503 A *	2/1997	Lapidus	273/348.2	2009/0256037 A1	10/2009	Singh	
6,112,703 A *	9/2000	Handelsman	119/707	2010/0041300 A1 *	2/2010	Bevirt 446/97
D439,378 S *	3/2001	Loomis	D30/160	2012/0094571 A1	4/2012	Kovens	
D441,506 S *	5/2001	Flynn	D30/160	2012/0108138 A1	5/2012	Walterscheid	
D441,925 S	5/2001	Flynn			2012/0125267 A1 *	5/2012	Kelly 119/710
D444,976 S	7/2001	Hundley			2012/0292466 A1	11/2012	Song	
D470,277 S *	2/2003	Tu	D30/160	2012/0309259 A1	12/2012	Mak	
					2013/0075563 A1	3/2013	Tsai et al.	
					2013/0112824 A1	5/2013	Chen et al.	

* cited by examiner

FIG. 1

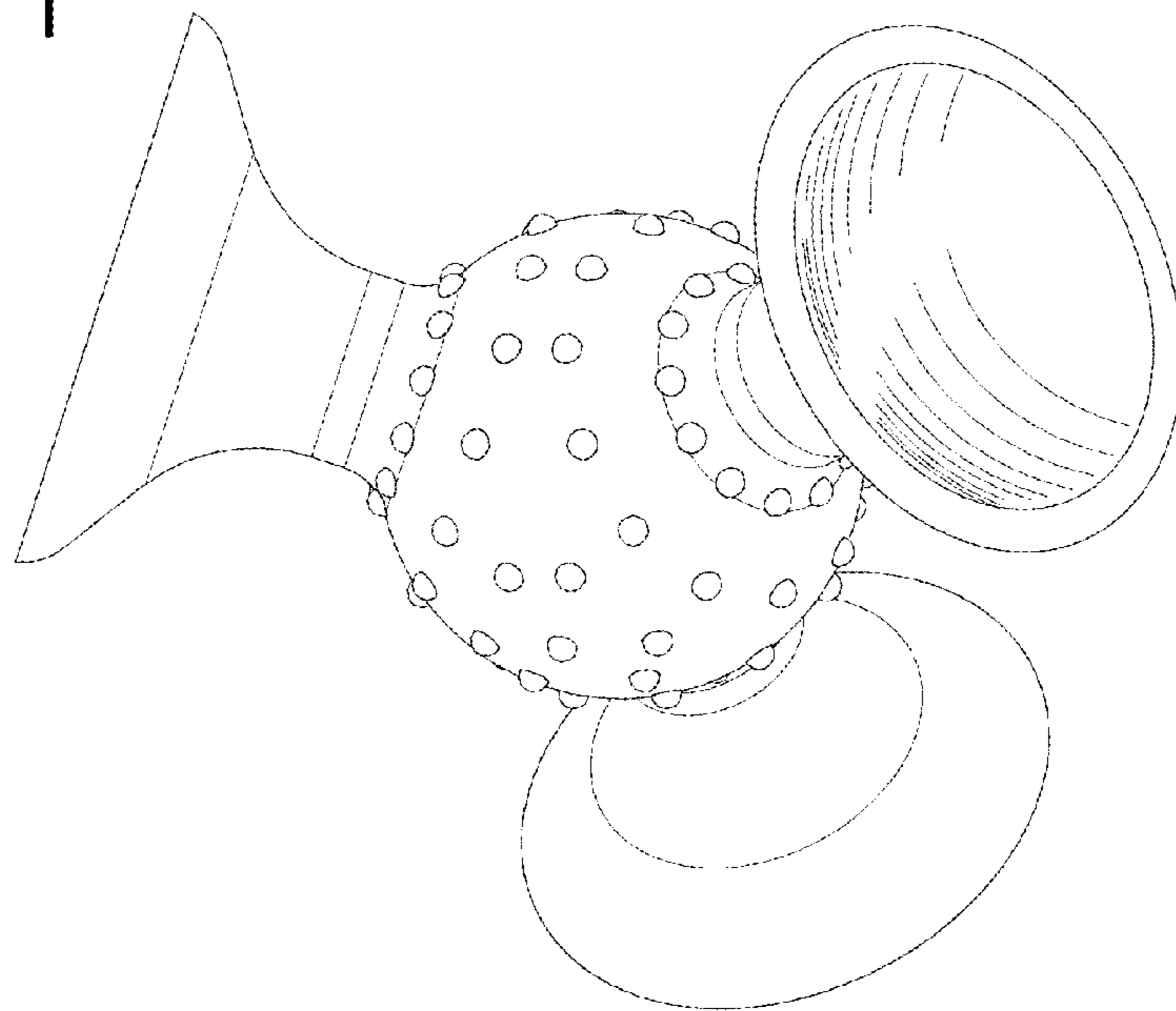


FIG. 2

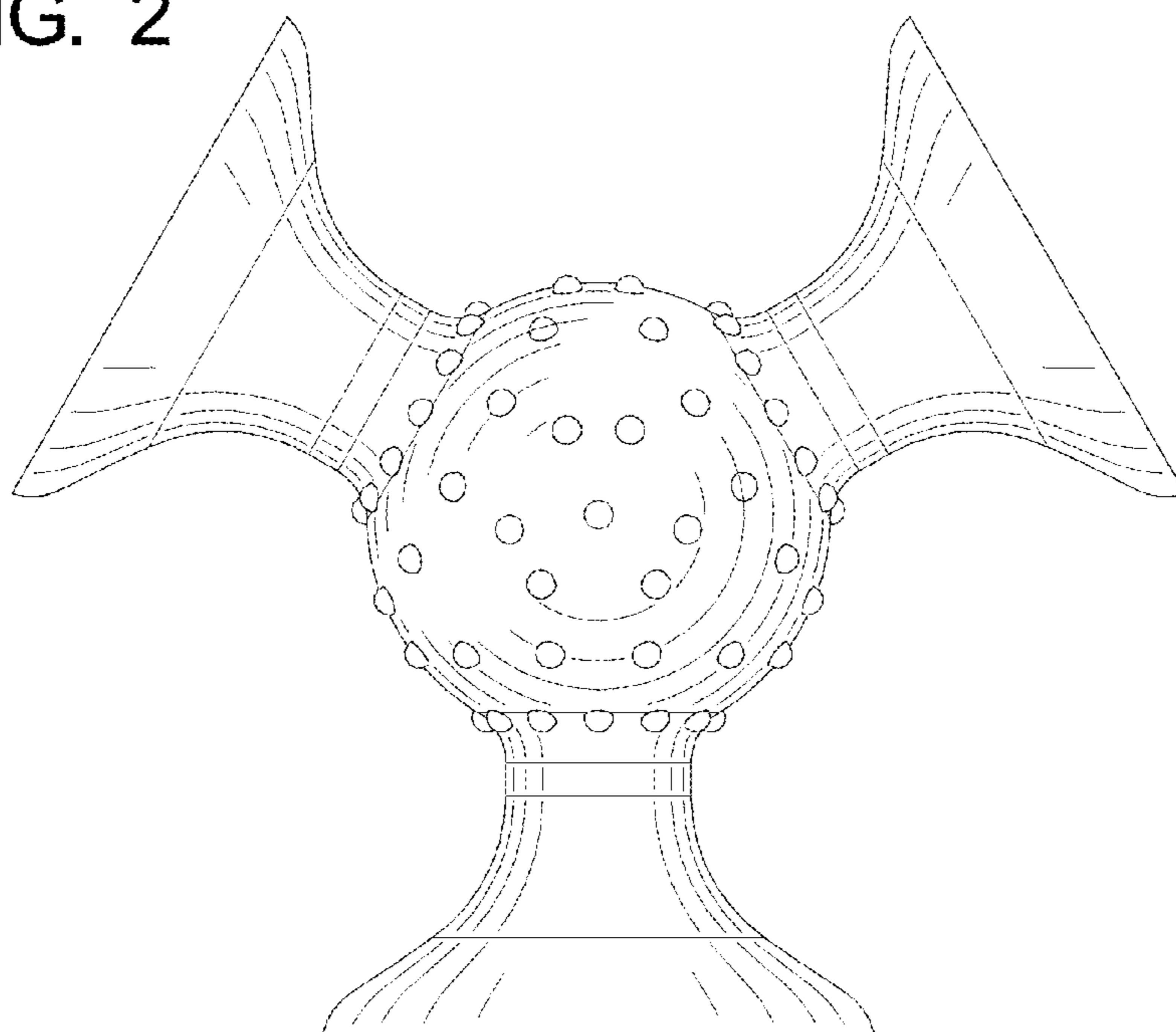


FIG. 3

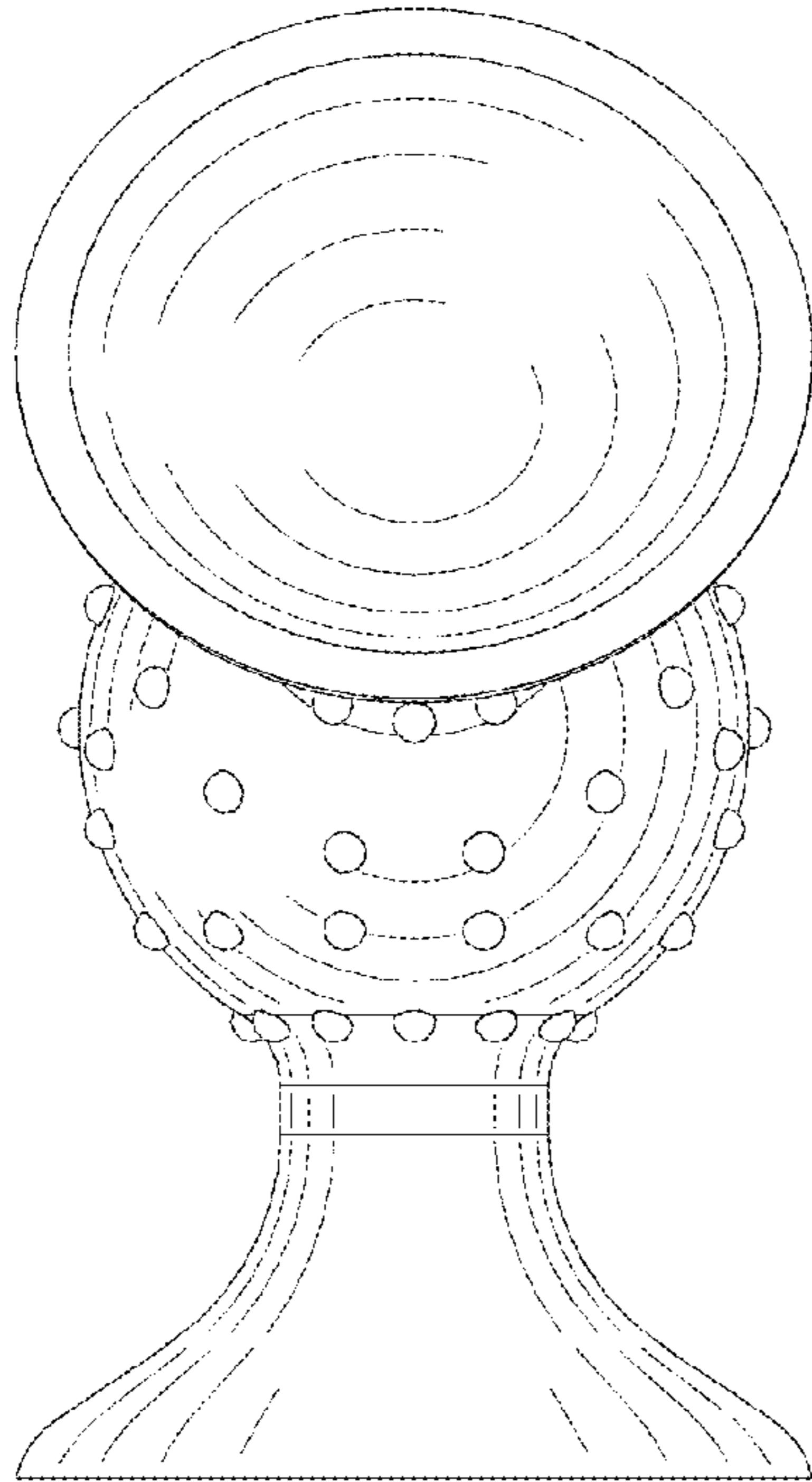


FIG. 4

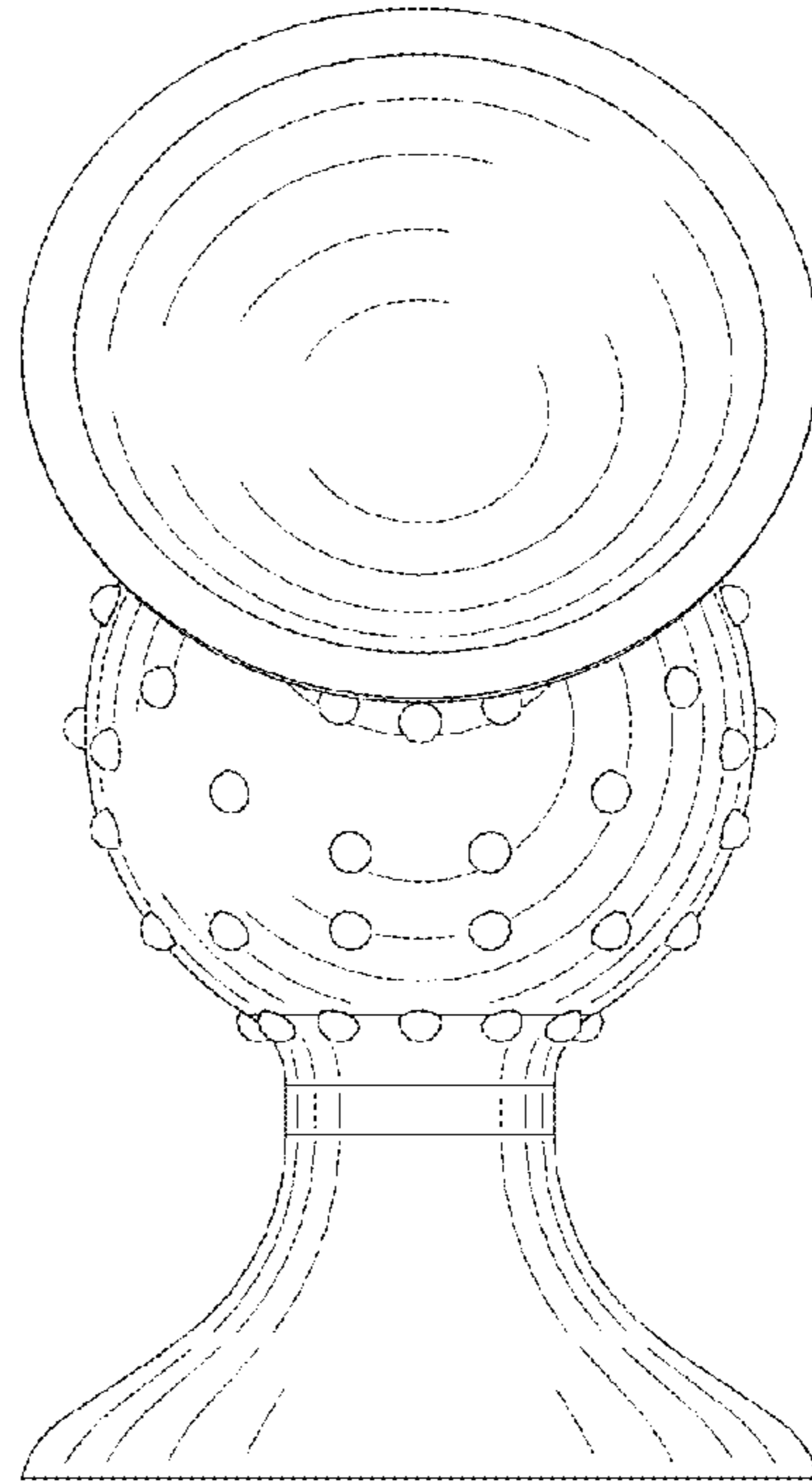


FIG. 5

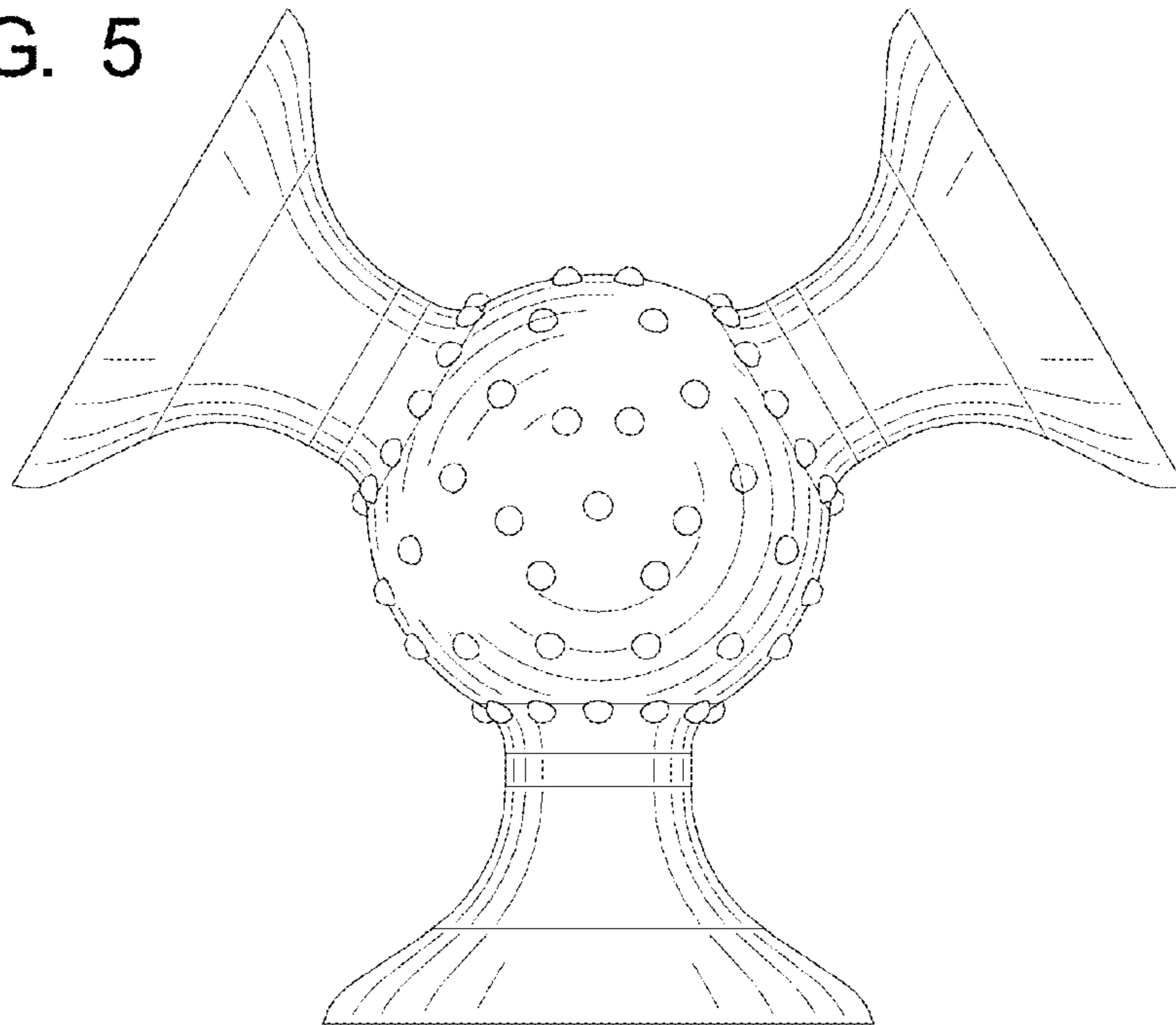


FIG. 6

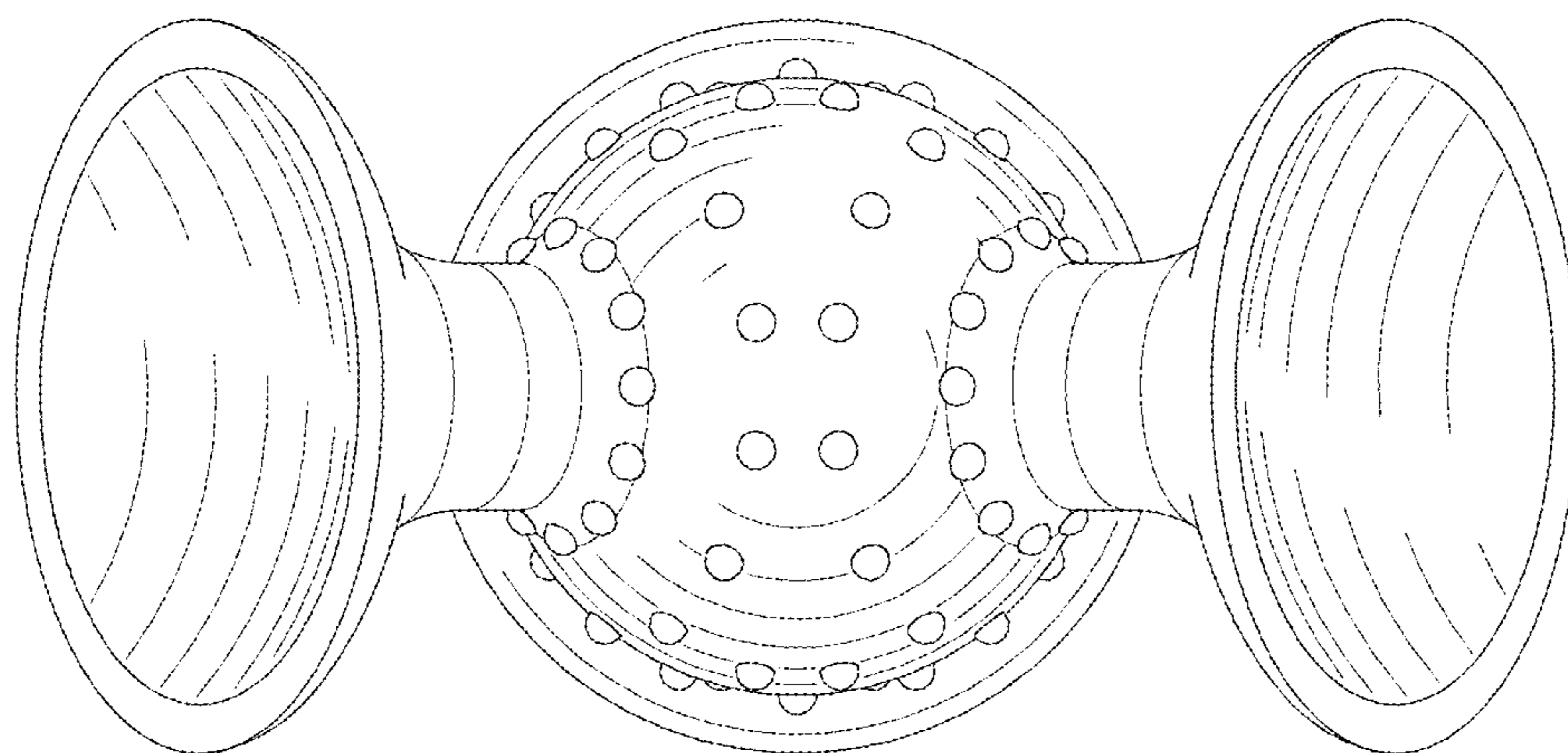


FIG. 7

