



US00D709558S

(12) **United States Design Patent**  
**O'Brien**

(10) **Patent No.:** **US D709,558 S**

(45) **Date of Patent:** **\*\* Jul. 22, 2014**

(54) **SET OF GAMING TABLES**

(71) Applicant: **Triamble Pty Limited**, Bronte (AU)

(72) Inventor: **Stuart O'Brien**, Bronte (AU)

(73) Assignee: **Triamble Pty Limited**, Bronte (AU)

(\*\*) Term: **14 Years**

(21) Appl. No.: **29/448,440**

(22) Filed: **Mar. 12, 2013**

(30) **Foreign Application Priority Data**

Sep. 12, 2012 (AU) ..... 14518/2012

(51) **LOC (10) Cl.** ..... **21-03**

(52) **U.S. Cl.**  
USPC ..... **D21/371; D21/369**

(58) **Field of Classification Search**  
USPC ..... D14/302, 305-307, 485-486;  
D21/324-325, 329, 364, 369-375, 385,  
D21/397; 273/145 R, 144 A, 146, 269, 274;  
463/17, 20, 46-47; 715/781, 786;  
D6/676, 693-693.3  
See application file for complete search history.

(56) **References Cited**

**U.S. PATENT DOCUMENTS**

378,931 A 3/1888 Hyde  
D28,317 S 2/1898 Rackleff  
598,969 A 2/1898 Anderton

648,008 A \* 4/1900 Wellman ..... 229/115  
1,373,448 A 4/1921 Precinauskas  
D122,038 S 8/1940 Toombs  
D164,682 S \* 10/1951 Forward ..... D6/489  
2,822,860 A \* 2/1958 Calabrese ..... D6/368  
D217,624 S 5/1970 Rushing  
D237,200 S 10/1975 Bojicic  
4,515,370 A 5/1985 Garcia  
D306,180 S 2/1990 Murray  
4,991,335 A \* 2/1991 Krautsack ..... 40/617  
5,360,214 A 11/1994 Harmen  
6,357,748 B1 3/2002 Tomkovich  
D585,670 S \* 2/2009 Gharabegian ..... D6/489  
7,549,643 B2 6/2009 Quach  
8,128,089 B2 3/2012 Erickson  
2005/0236770 A1 10/2005 Hague

\* cited by examiner

*Primary Examiner* — Sandra Morris

(74) *Attorney, Agent, or Firm* — Gardere Wynne Sewell LLP

(57) **CLAIM**

The ornamental design for a set of gaming tables, as shown and described.

**DESCRIPTION**

FIG. 1 is a perspective view of a set of gaming tables in accordance with the invention; and, FIG. 2 is a plan view of the set of gaming tables shown in FIG. 1.

The bottom view is flat and unornamented. The broken line showing is for illustrative purposes only, and forms no part of the claimed design.

**1 Claim, 2 Drawing Sheets**

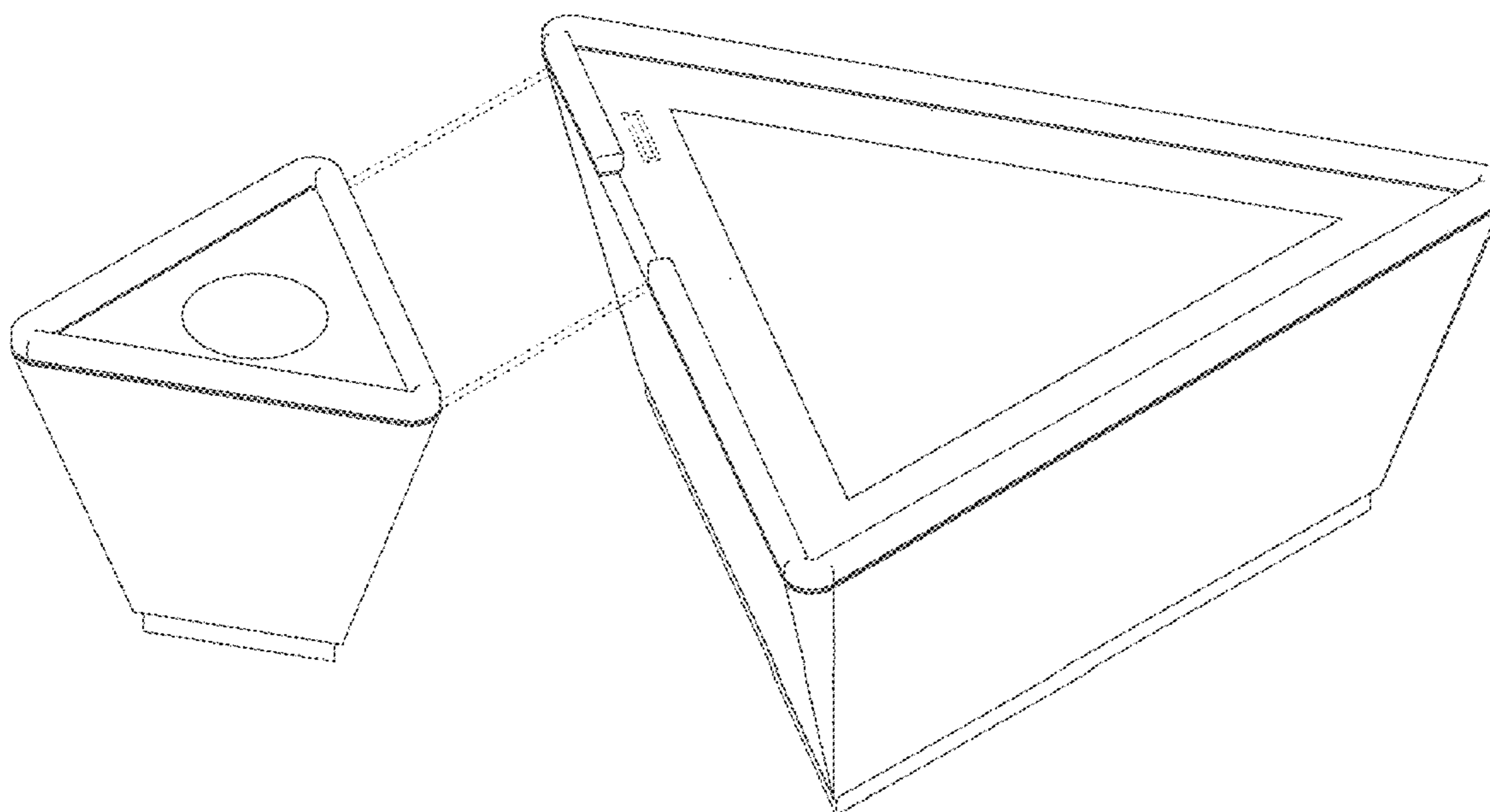


FIG. 1

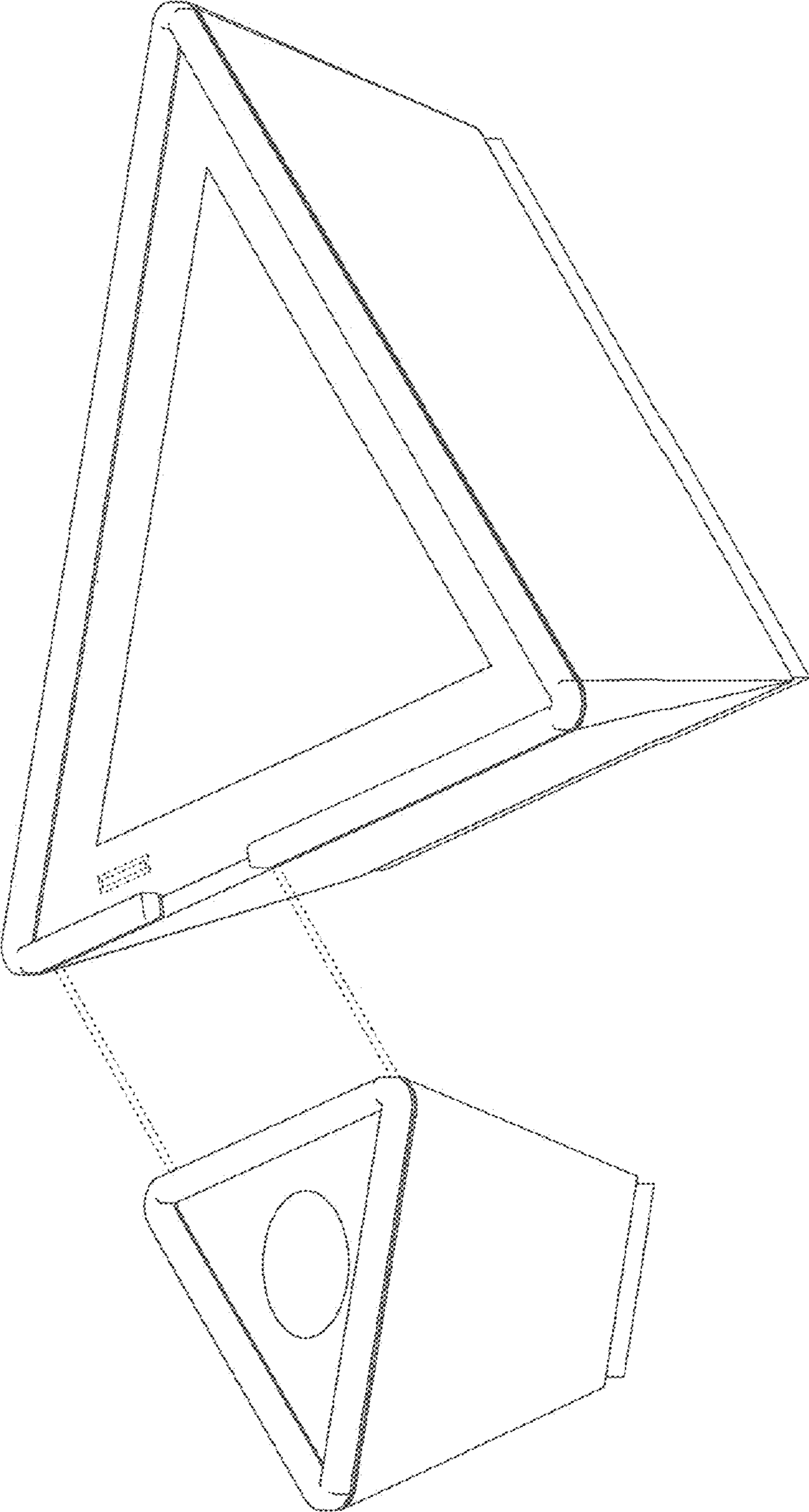


FIG. 2

