



US00D709546S

(12) **United States Design Patent**  
**Goff et al.**

(10) **Patent No.:** **US D709,546 S**  
(45) **Date of Patent:** **\*\* Jul. 22, 2014**

(54) **ANGLED ATTACHMENT FOR A STRAP**

(75) Inventors: **Jerry L. Goff**, Denver, CO (US);  
**Christopher A. Willis**, Longmont, CO  
(US); **Nathan R. Zwetzig**, Westminster,  
CO (US)

(73) Assignee: **Thule Organization Solutions, Inc.**,  
Longmont, CO (US)

(\*\*) Term: **14 Years**

(21) Appl. No.: **29/431,283**

(22) Filed: **Sep. 5, 2012**

(51) **LOC (10) Cl.** ..... **16-05**

(52) **U.S. Cl.**  
USPC ..... **D16/245**

(58) **Field of Classification Search**

CPC ..... G03B 17/56; G03B 17/566; G03B 17/00;  
G03B 17/561; G03B 2215/056; A45F 5/00;  
A45F 2200/0533; A45F 5/02; A45F 2005/006;  
A45F 3/14; A45F 2003/142; A45F 2003/148;  
A45C 11/38; A45C 13/30; A45C 13/001  
USPC ..... D8/355, 367, 382, 397; D16/130, 237,  
D16/242, 243, 244, 245, 250; 248/177.1,  
248/187.1; 352/243; 396/419, 421, 423,  
396/428

See application file for complete search history.

(56) **References Cited**

**U.S. PATENT DOCUMENTS**

2,130,262 A 9/1938 Burlin  
3,938,166 A 2/1976 Sloop

(Continued)

**OTHER PUBLICATIONS**

Google image detail of Quick Grip DSLR Hand Strap by Case Logic,  
dated Jun. 26, 2012. found online [Dec. 16, 2013] <http://www.google.com>

com/imgres?rls=com.microsoft:en-us:IE-SearchBox&biw=1280&  
bih=734&tbm=isch&tbid=Wm6nES8KyYMa9M:&imgrefurl=  
[http://www.caselogic.com/en-us/products/camera-cases/accessories/quick-gript-dslr-hand-strap-\\_dhs\\_-\\_101\\_-.\\*](http://www.caselogic.com/en-us/products/camera-cases/accessories/quick-gript-dslr-hand-strap-_dhs_-_101_-.*)  
Quick Grip DSLR Hand Strap by Case Logic, dated Jun. 26, 2012.  
found online [Dec. 16, 2013] [http://www.caselogic.com/en-us/products/camera-cases/accessories/quick-gript-dslr-hand-strap-\\_dhs\\_-\\_101\\_-.black.\\*](http://www.caselogic.com/en-us/products/camera-cases/accessories/quick-gript-dslr-hand-strap-_dhs_-_101_-.black.*)

(Continued)

*Primary Examiner* — Robert M Spear

*Assistant Examiner* — Marissa Cash

(74) *Attorney, Agent, or Firm* — Sheridan Ross P.C.

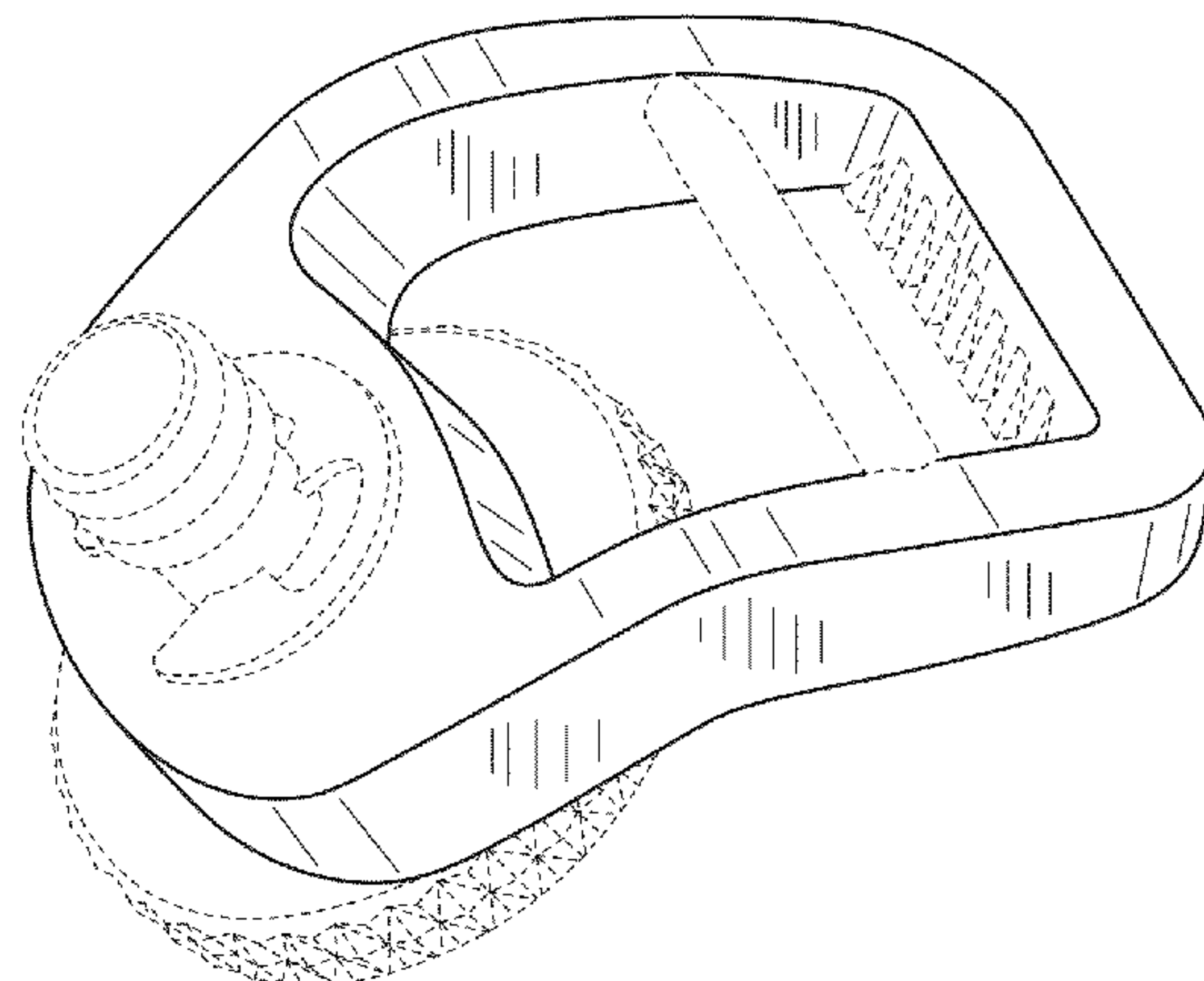
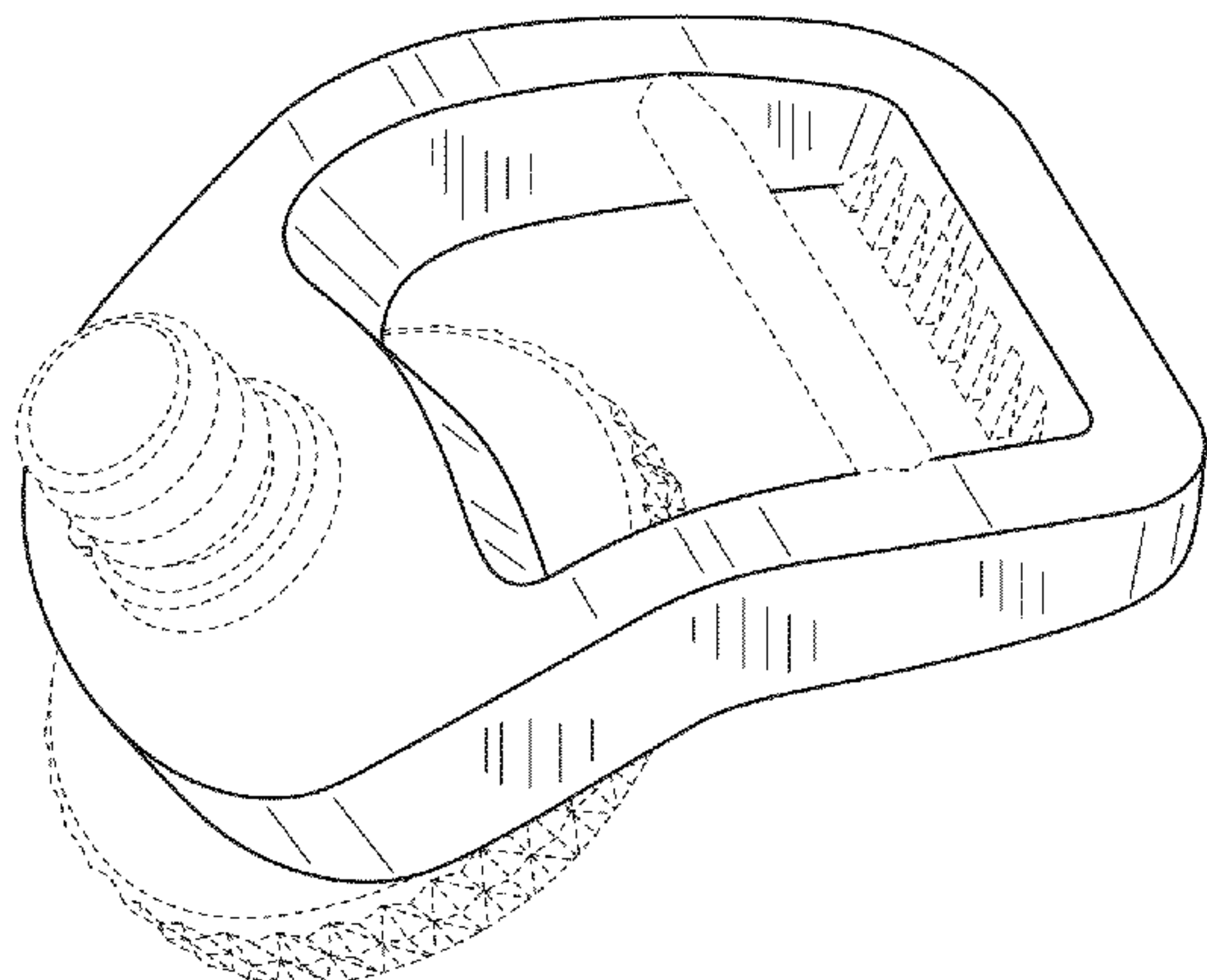
(57) **CLAIM**

The ornamental design for an angled attachment for a strap, as shown and described.

**DESCRIPTION**

FIG. 1 is a front perspective view of the angled attachment for a strap;  
FIG. 2 is a top plan view of the embodiment of FIG. 1;  
FIG. 3 is a left elevation view of the embodiment of FIG. 1;  
FIG. 4 is a front elevation view of the embodiment of FIG. 1;  
FIG. 5 is a rear elevation view of the embodiment of FIG. 1;  
FIG. 6 is a right elevation view of the embodiment of FIG. 1;  
FIG. 7 is a bottom plan view of the embodiment of FIG. 1;  
FIG. 8 is a front perspective view of the angled attachment for a strap according to an alternative embodiment;  
FIG. 9 is a top plan view of the embodiment of FIG. 8;  
FIG. 10 is a left elevation view of the embodiment of FIG. 8;  
FIG. 11 is a front elevation view of the embodiment of FIG. 8;  
FIG. 12 is a rear elevation view of the embodiment of FIG. 8;  
FIG. 13 is a right elevation view of the embodiment of FIG. 8;  
and,  
FIG. 14 is a bottom plan view of the embodiment of FIG. 8.  
The broken lines showing an angled attachment for a strap are included for the purpose of illustrating environment and form no part of the claimed design.

**1 Claim, 6 Drawing Sheets**



(56)

**References Cited**

U.S. PATENT DOCUMENTS

D241,117	S *	8/1976	Holtz .....	D8/367
D413,252	S *	8/1999	Striebel .....	D8/367
D453,102	S *	1/2002	Postelwait .....	D8/349
D555,699	S *	11/2007	Oh et al. ....	D16/242
D619,451	S *	7/2010	Carlesso .....	D8/395
D656,534	S *	3/2012	Geller .....	D16/242
D673,994	S *	1/2013	Geller .....	D16/243
D679,577	S *	4/2013	Moreau et al. ....	D8/367
2012/0014686	A1 *	1/2012	Kope et al. ....	396/423
2012/0048901	A1 *	3/2012	Wong et al. ....	224/257
2013/0101280	A1 *	4/2013	Xu .....	396/423
2013/0312232	A1 *	11/2013	Fujiwara .....	24/572.1

OTHER PUBLICATIONS

Google image detail of Quick Grip DSLR Hand Strap by Case Logic, dated Jun. 26, 2012. found online [Dec. 16, 2013] [http://www.google.com/imgres?rls=com.microsoften-us:IE-SearchBox&biw=1280&bih=734&tbm=isch&tbnid=Wm6nES8KyYMa9M:&imgrefurl=http://www.caselogic.com/en/us/products/camera-cases/accessories/quick-gript-dslr-hand-strap-\\_-dhs\\_-\\_101\\_-.\\*](http://www.google.com/imgres?rls=com.microsoften-us:IE-SearchBox&biw=1280&bih=734&tbm=isch&tbnid=Wm6nES8KyYMa9M:&imgrefurl=http://www.caselogic.com/en/us/products/camera-cases/accessories/quick-gript-dslr-hand-strap-_-dhs_-_101_-.*)

California Sunbounce Sun-Sniper Bear Camera Screw by California Sunbounce, dated Oct. 13, 2011. found online [Dec. 16, 2013] [http://www.amazon.com/California-Sunbounce-Sun-Sniper-Camera-Sniper/dp/B0047T6PH2/ref=cm\\_cr\\_pr\\_product\\_top.\\*](http://www.amazon.com/California-Sunbounce-Sun-Sniper-Camera-Sniper/dp/B0047T6PH2/ref=cm_cr_pr_product_top.*)

U.S. Appl. No. 29/431,281, filed Sep. 5, 2012, Goff et al.

\* cited by examiner

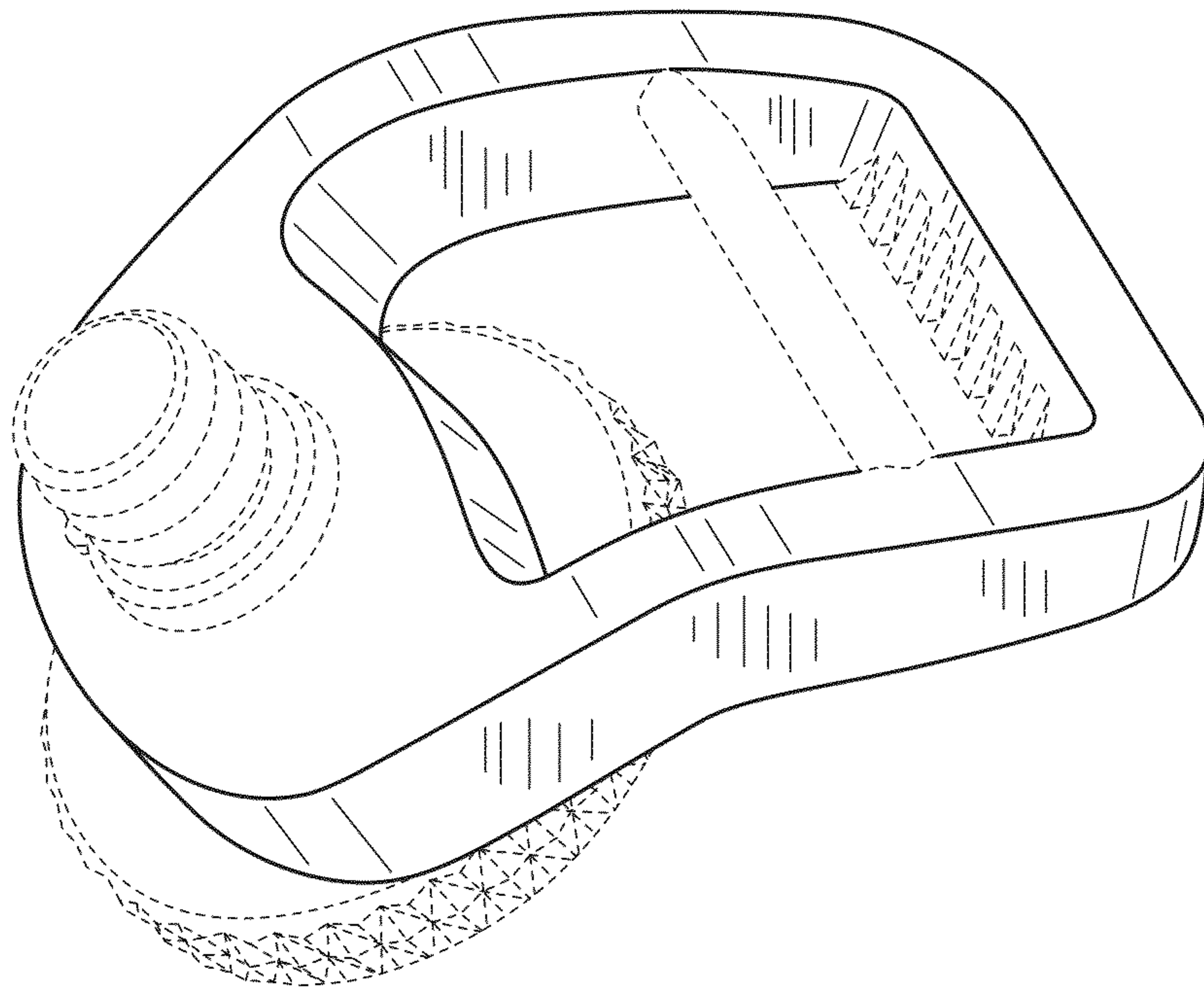


FIG.1

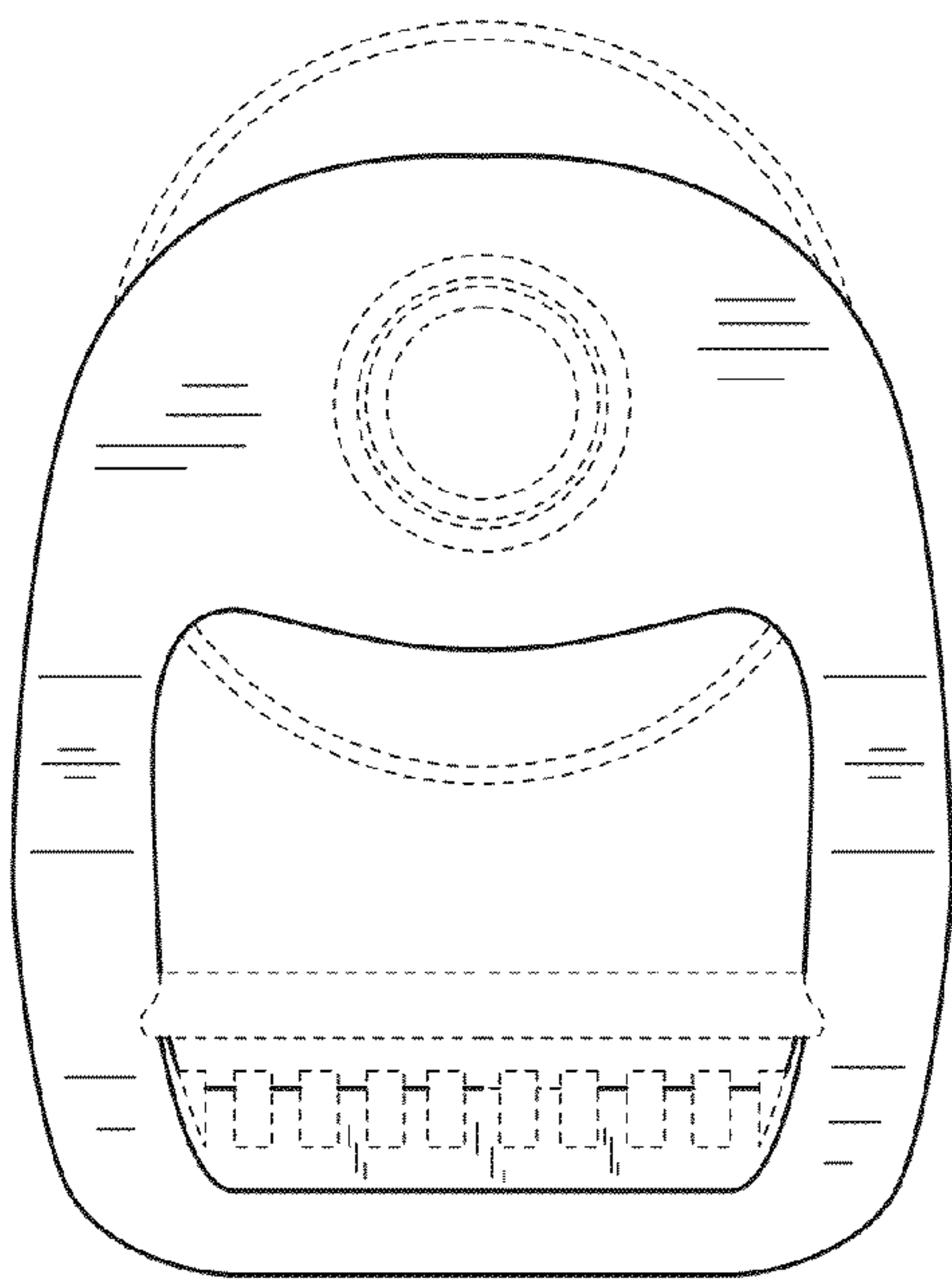


FIG. 2

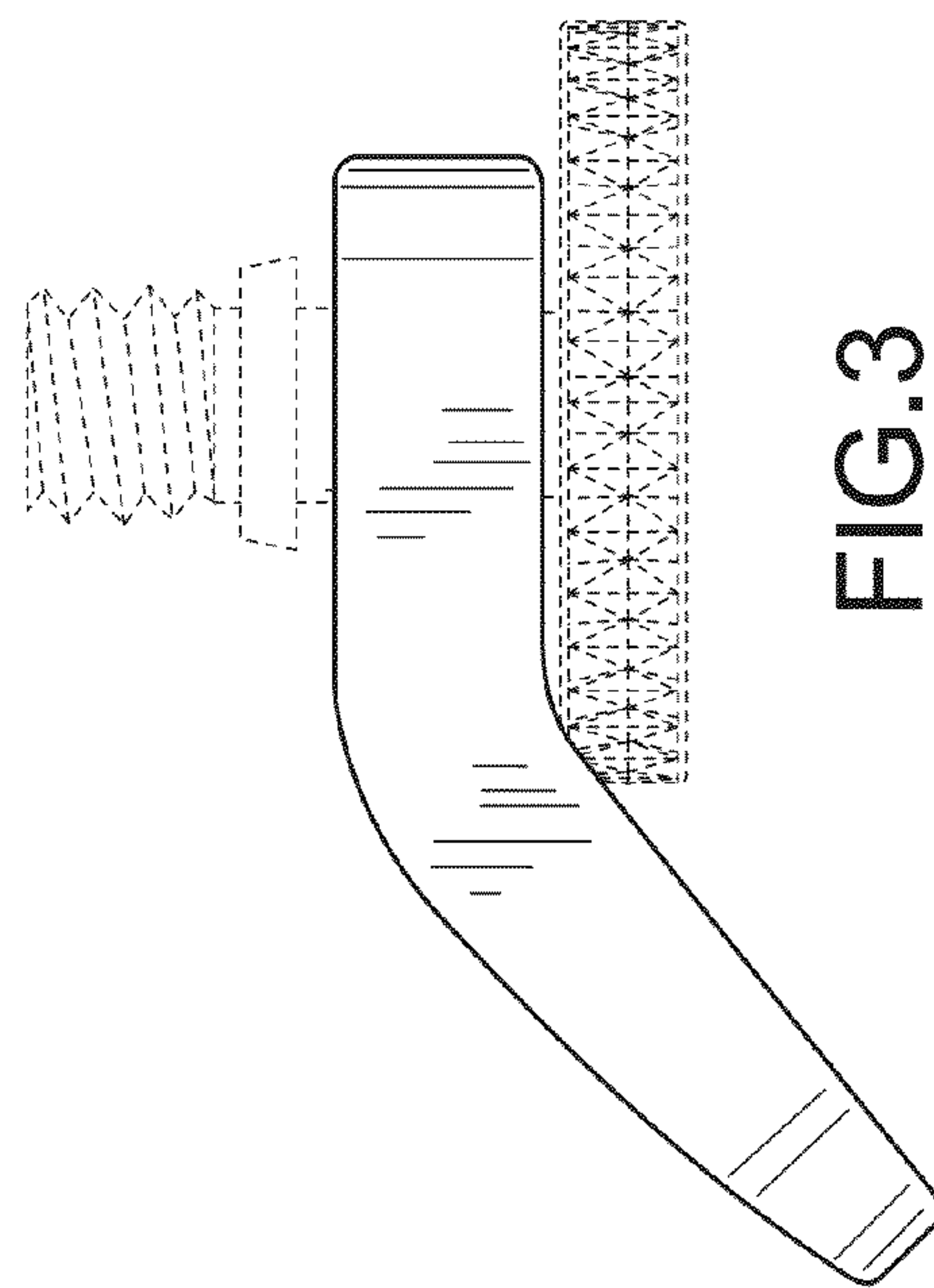


FIG. 3

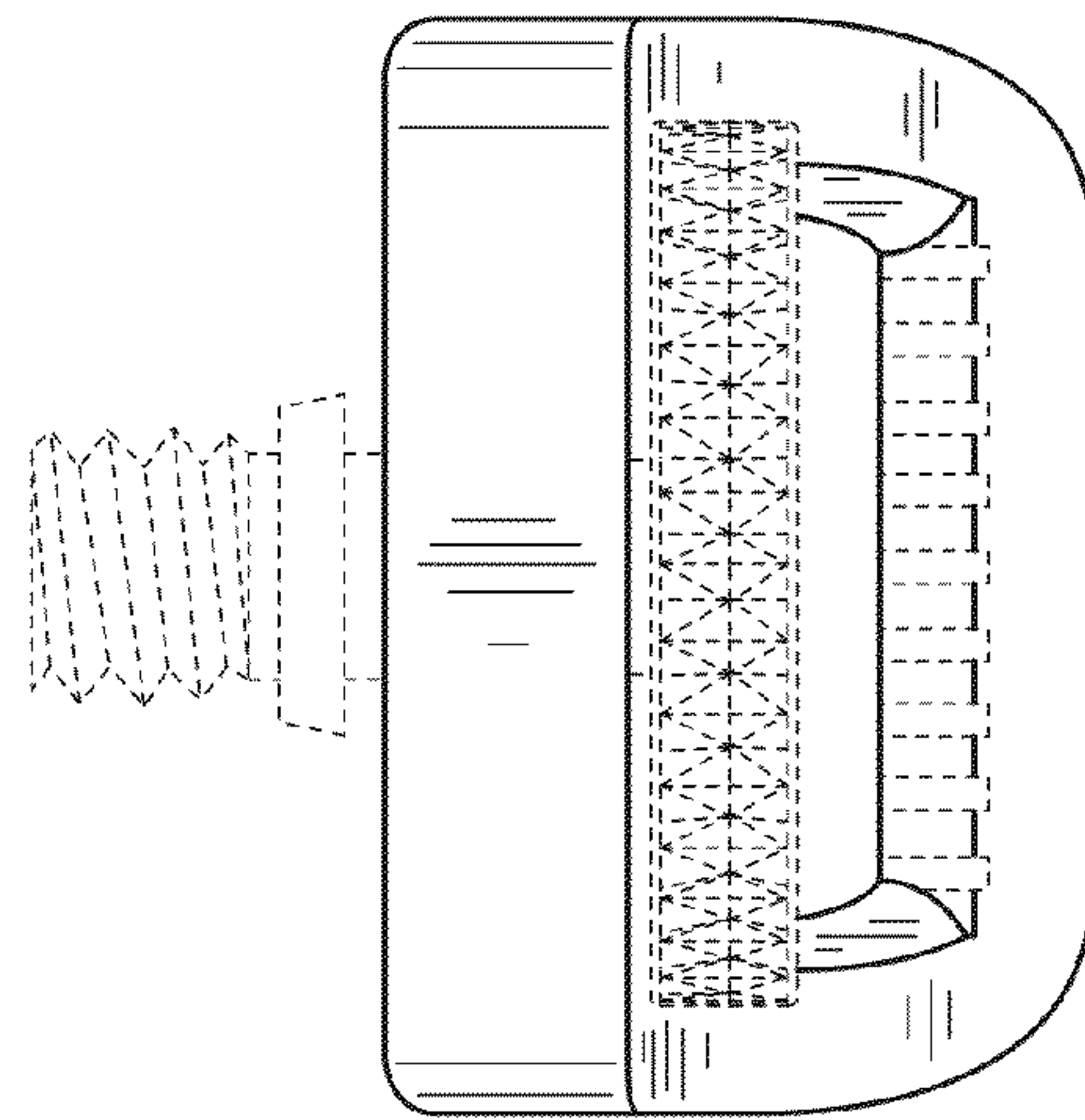


FIG. 4



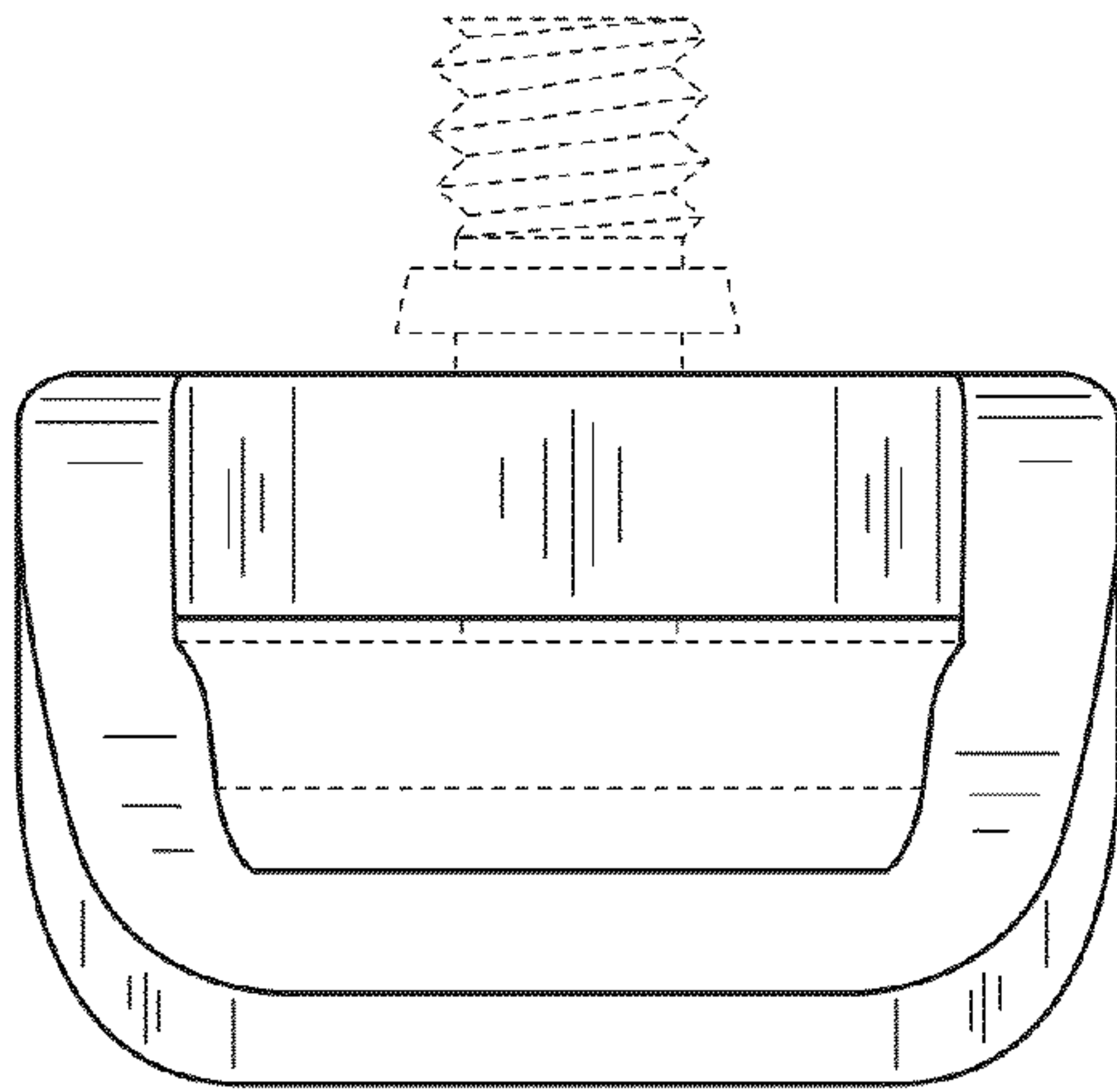


FIG. 5

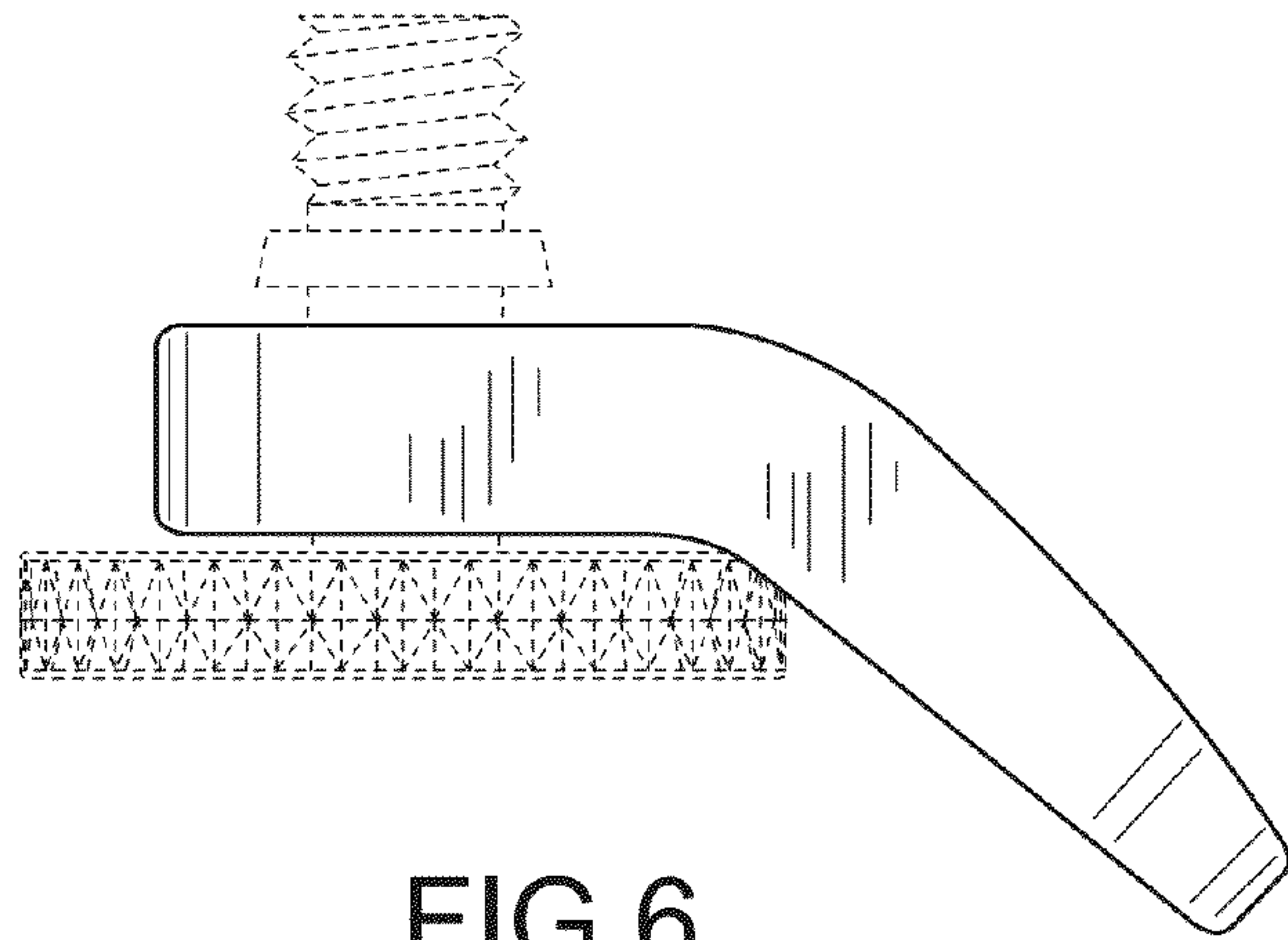


FIG. 6

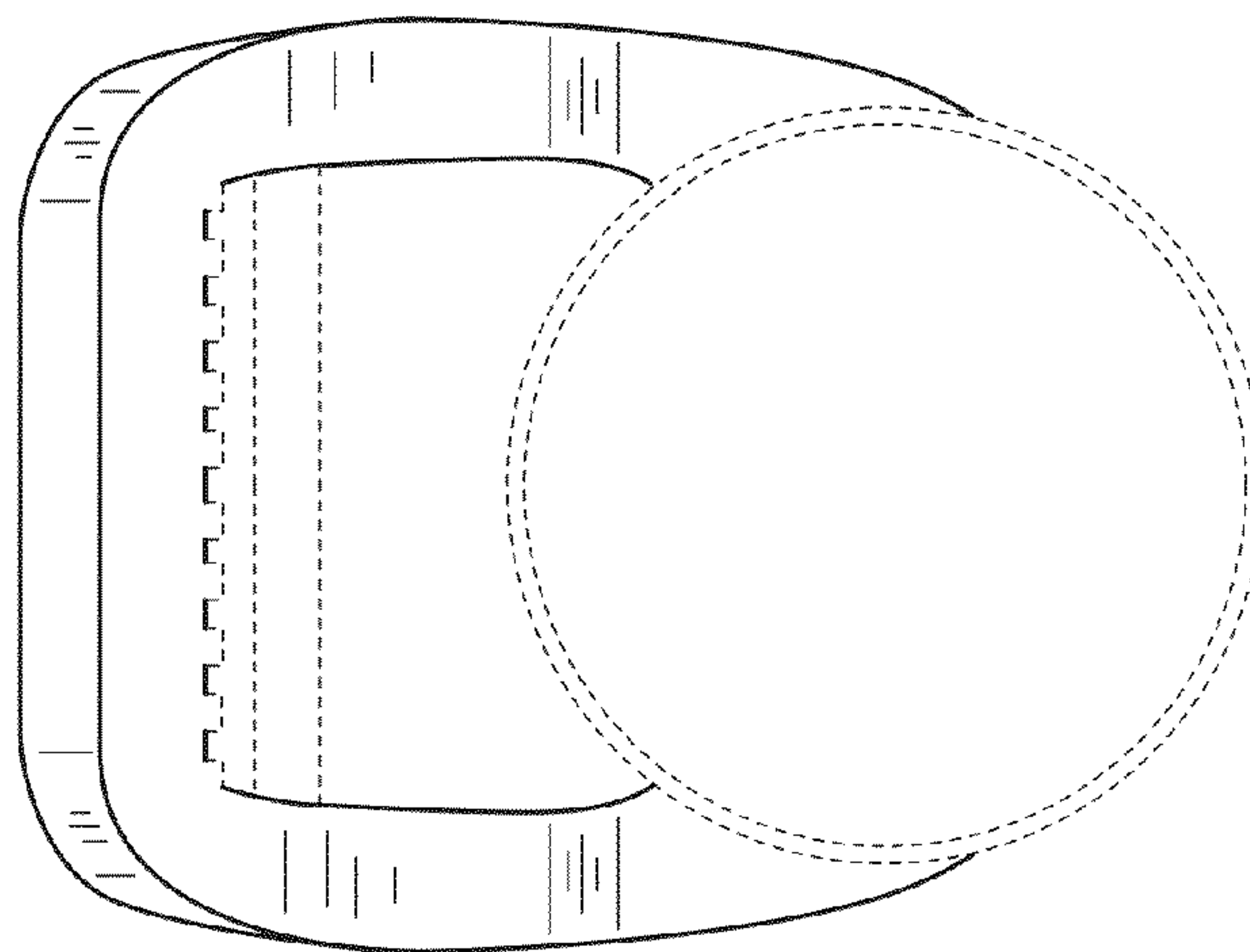


FIG. 7

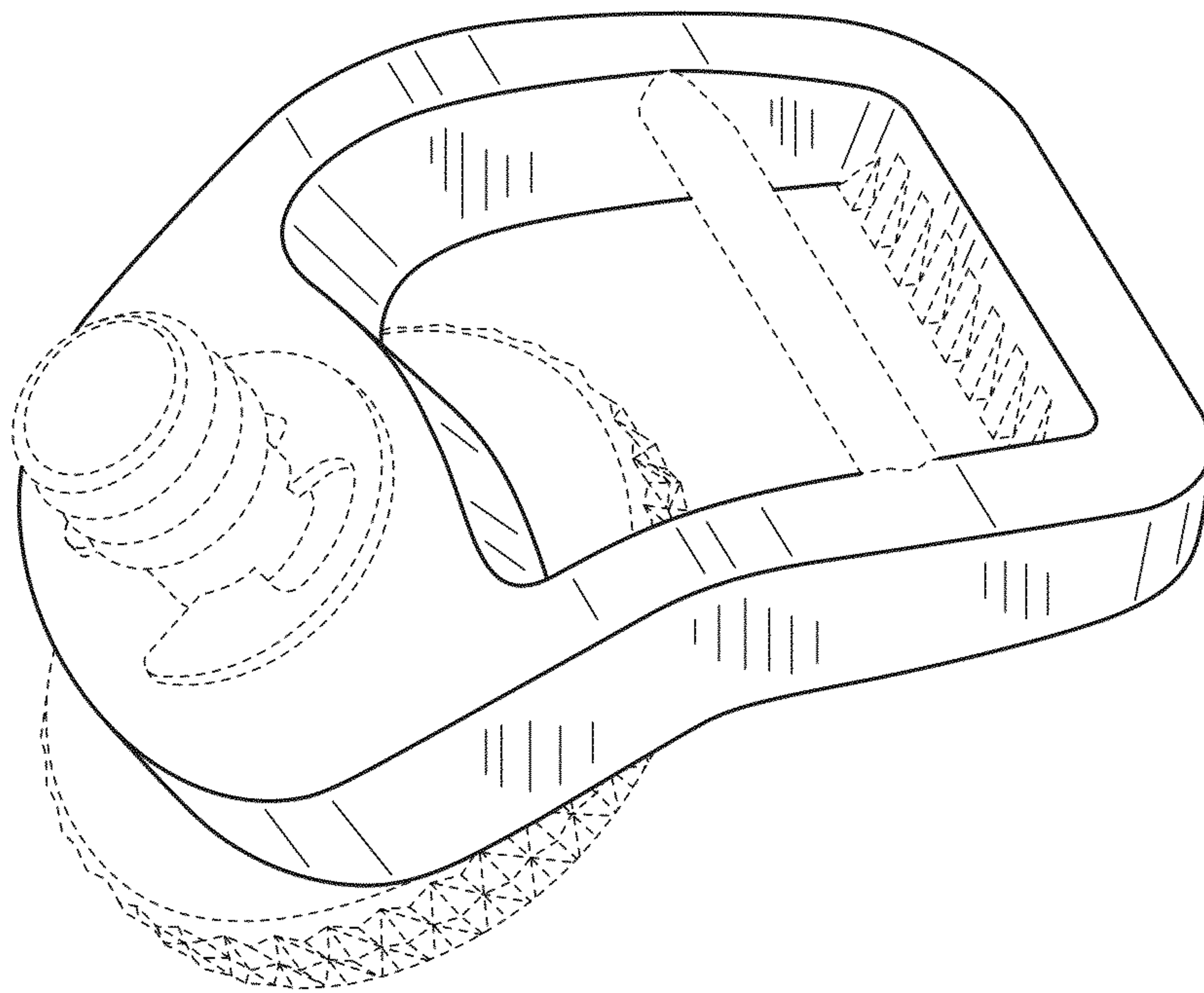


FIG.8

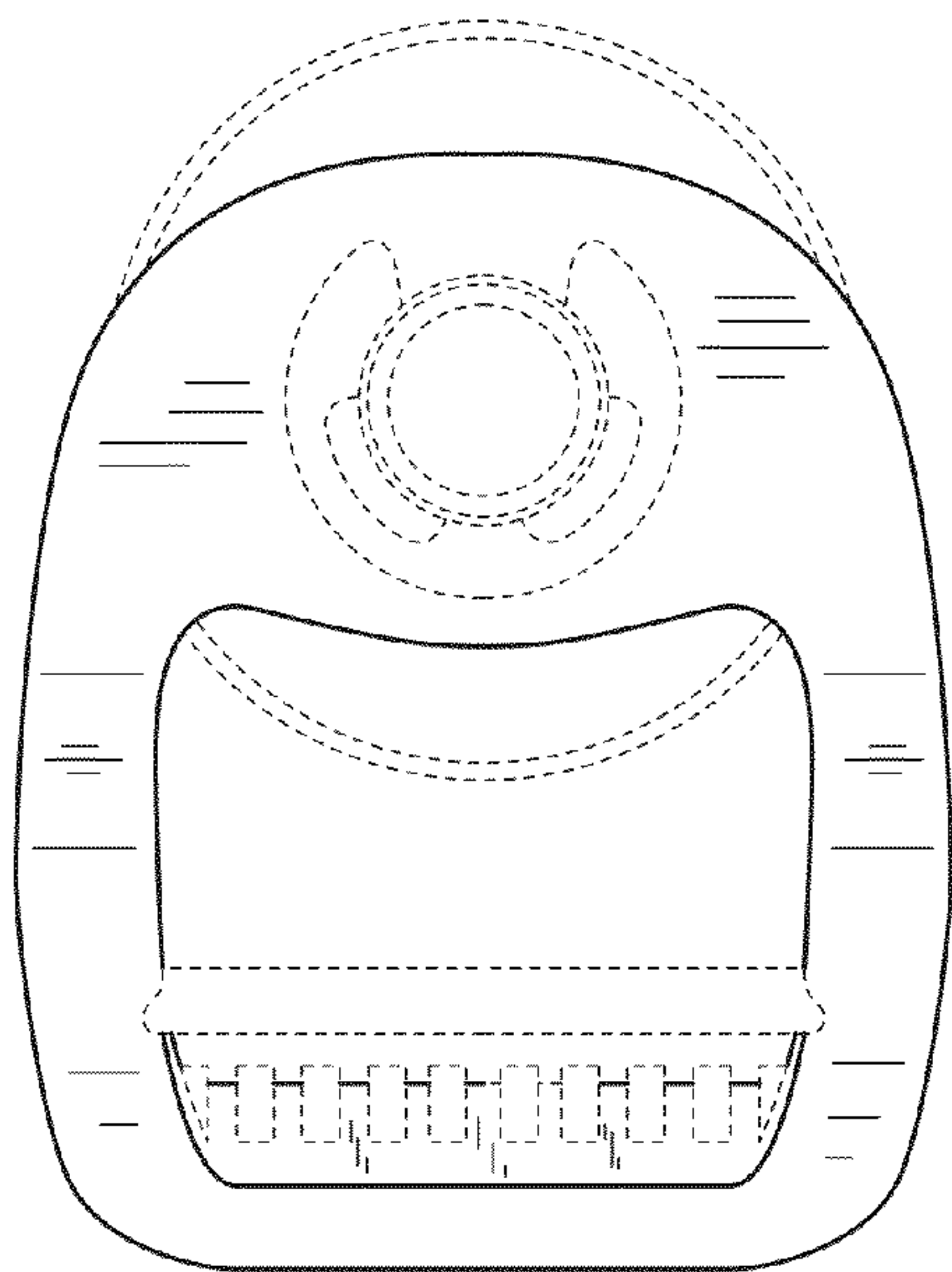


FIG. 9

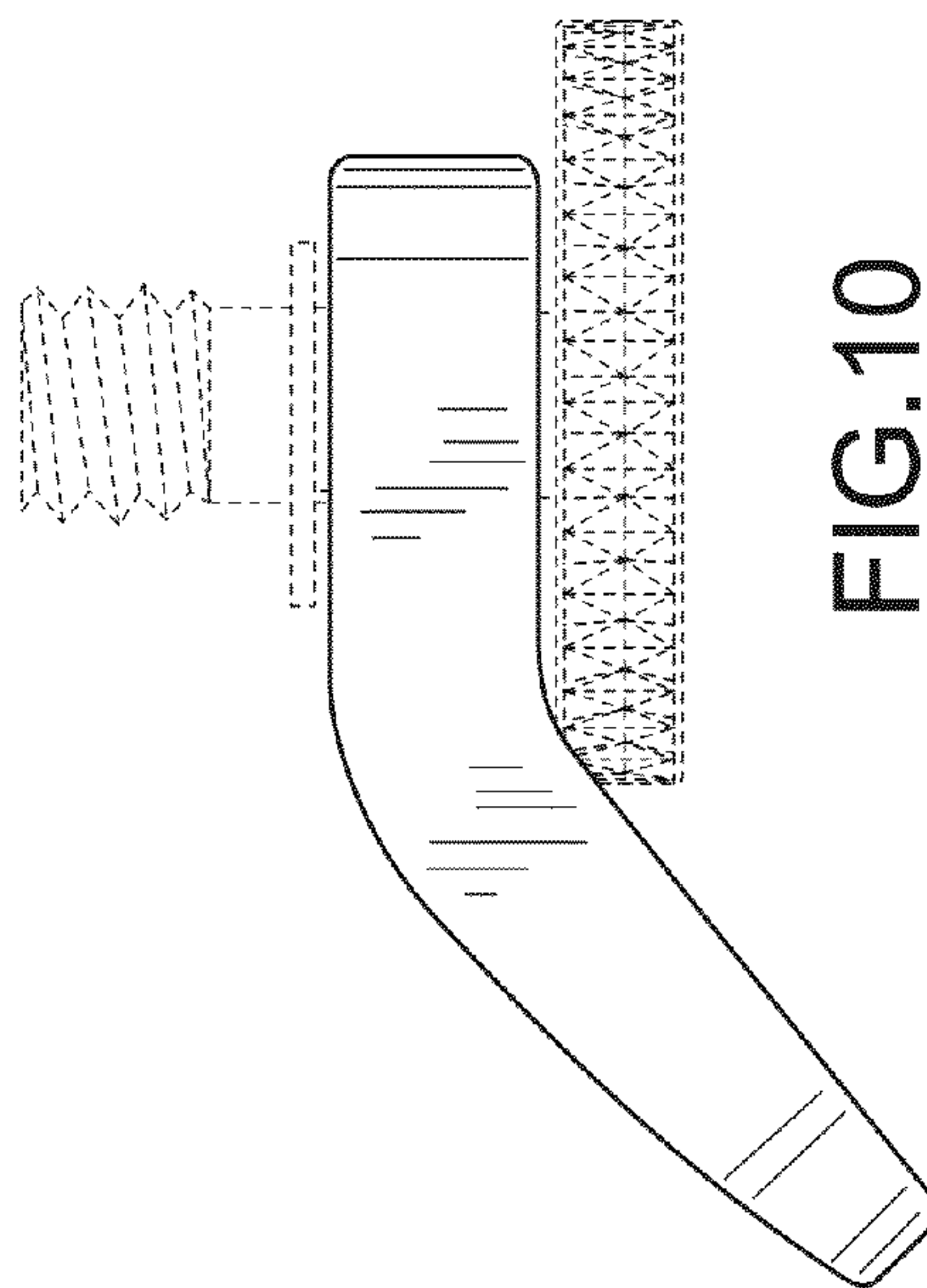


FIG. 10

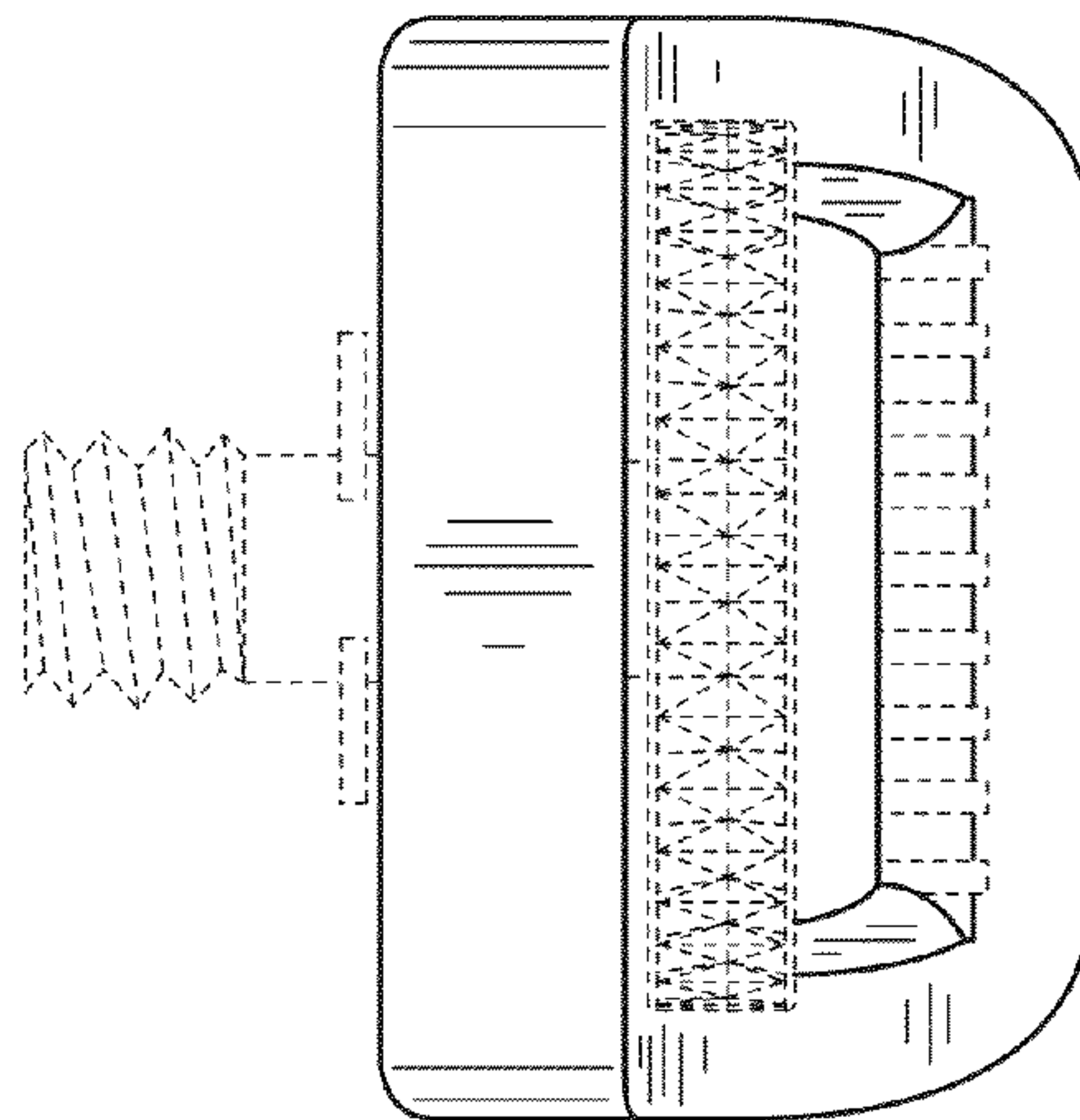


FIG. 11

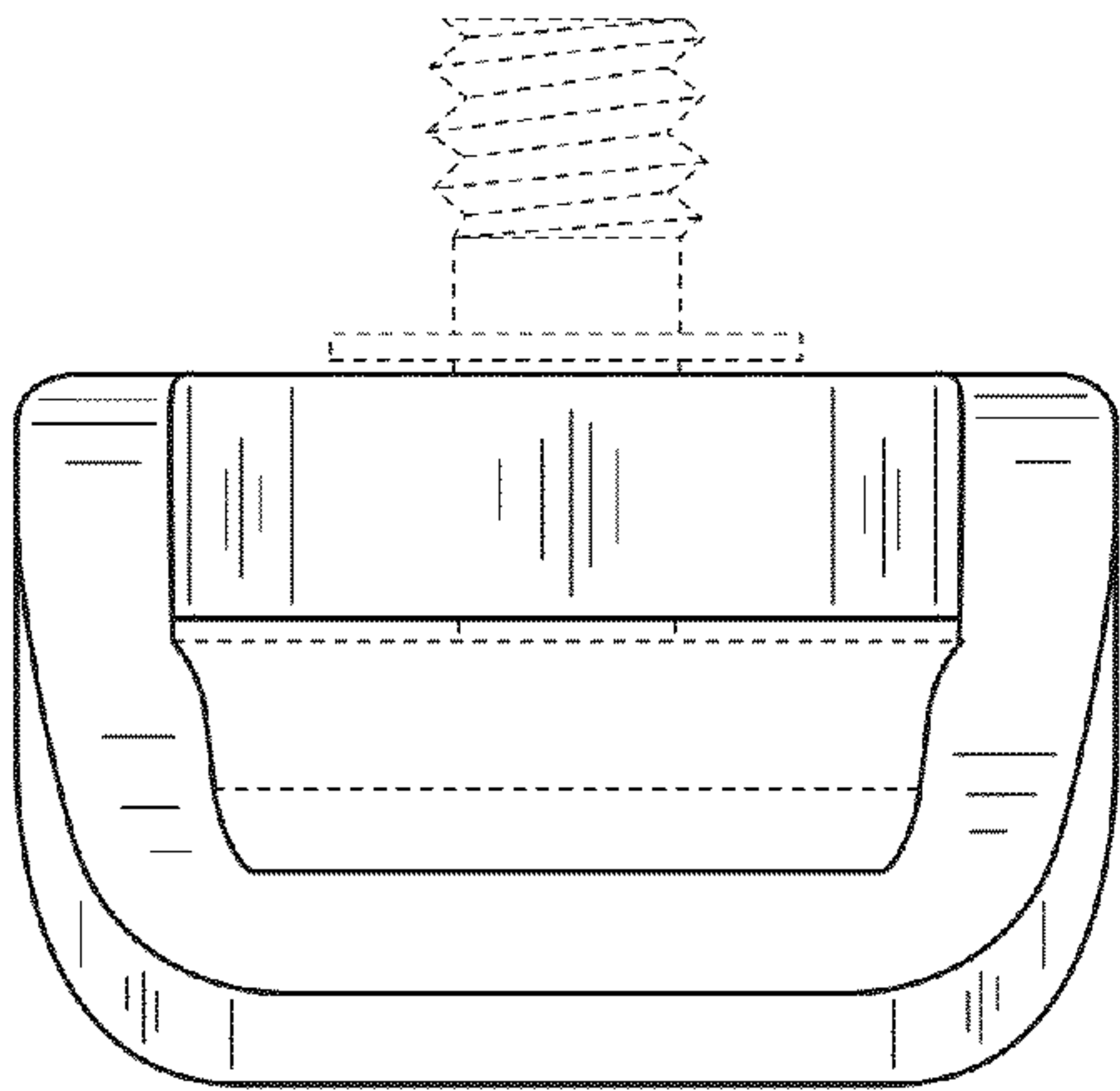


FIG. 12

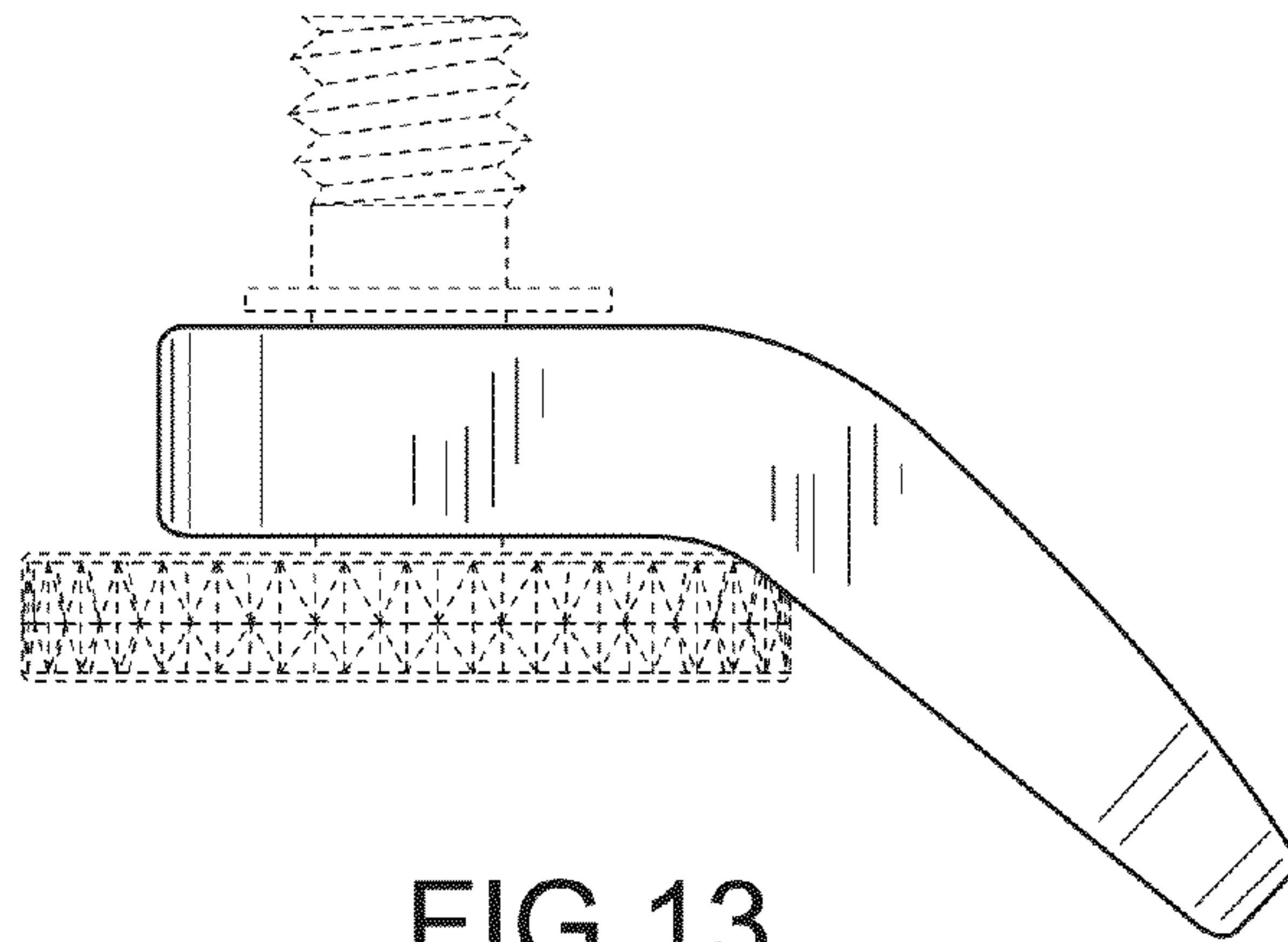


FIG. 13

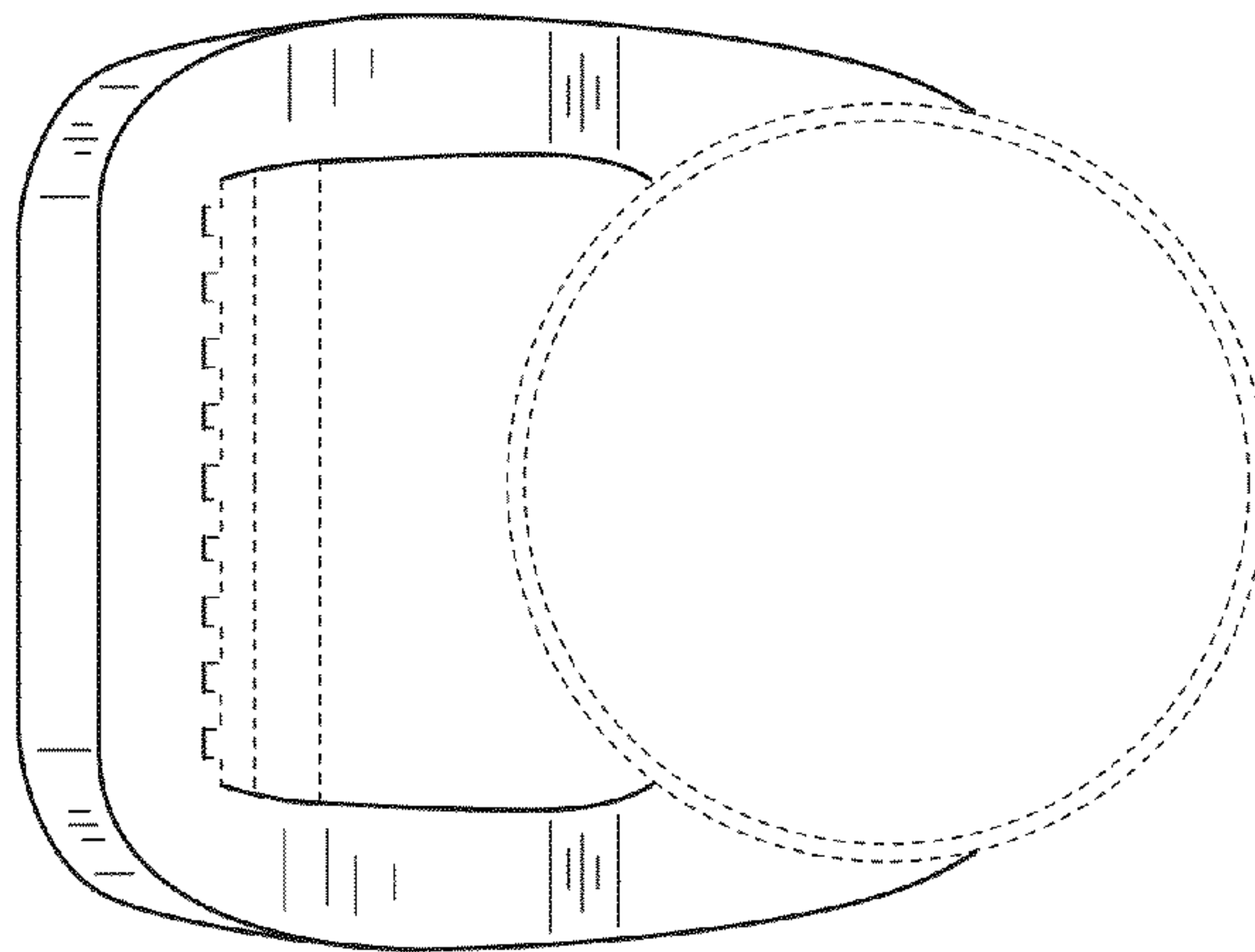


FIG. 14