



US00D709545S

(12) **United States Design Patent**
Goff et al.

(10) **Patent No.:** **US D709,545 S**
(45) **Date of Patent:** **** Jul. 22, 2014**

(54) **ATTACHMENT FOR A STRAP**

(75) Inventors: **Jerry L. Goff**, Denver, CO (US);
Christopher A. Willis, Longmont, CO
(US); **Nathan R. Zwetzig**, Westminster,
CO (US)

(73) Assignee: **Thule Organization Solutions, Inc.**,
Longmont, CO (US)

(**) Term: **14 Years**

(21) Appl. No.: **29/431,281**

(22) Filed: **Sep. 5, 2012**

(51) **LOC (10) Cl.** **16-05**

(52) **U.S. Cl.**
USPC **D16/245**

(58) **Field of Classification Search**
USPC D8/355, 367, 382, 397; D16/237, 242,
D16/243, 244, 245, 250; 248/177.1, 187.1;
352/243; 396/419, 421, 428
See application file for complete search history.

(56) **References Cited**

U.S. PATENT DOCUMENTS

D58,002 S *	5/1921	Viridin	D8/499
2,130,262 A	9/1938	Burlin		
3,850,468 A *	11/1974	Hultin	294/82.34
3,938,166 A	2/1976	Sloop		

(Continued)

OTHER PUBLICATIONS

Quick Sling Cross-body Camera Strap by Case Logic, dated Jun. 26,
2012. found online [Dec. 16, 2013] <https://www.casellogic.com/en->

us/us/products/camera-cases/bestsellers/quick-slingt-cross-body-camera-strap-_-dcs_-_101_-_black.*

(Continued)

Primary Examiner — Robert M Spear

Assistant Examiner — Marissa Cash

(74) *Attorney, Agent, or Firm* — Sheridan Ross P.C.

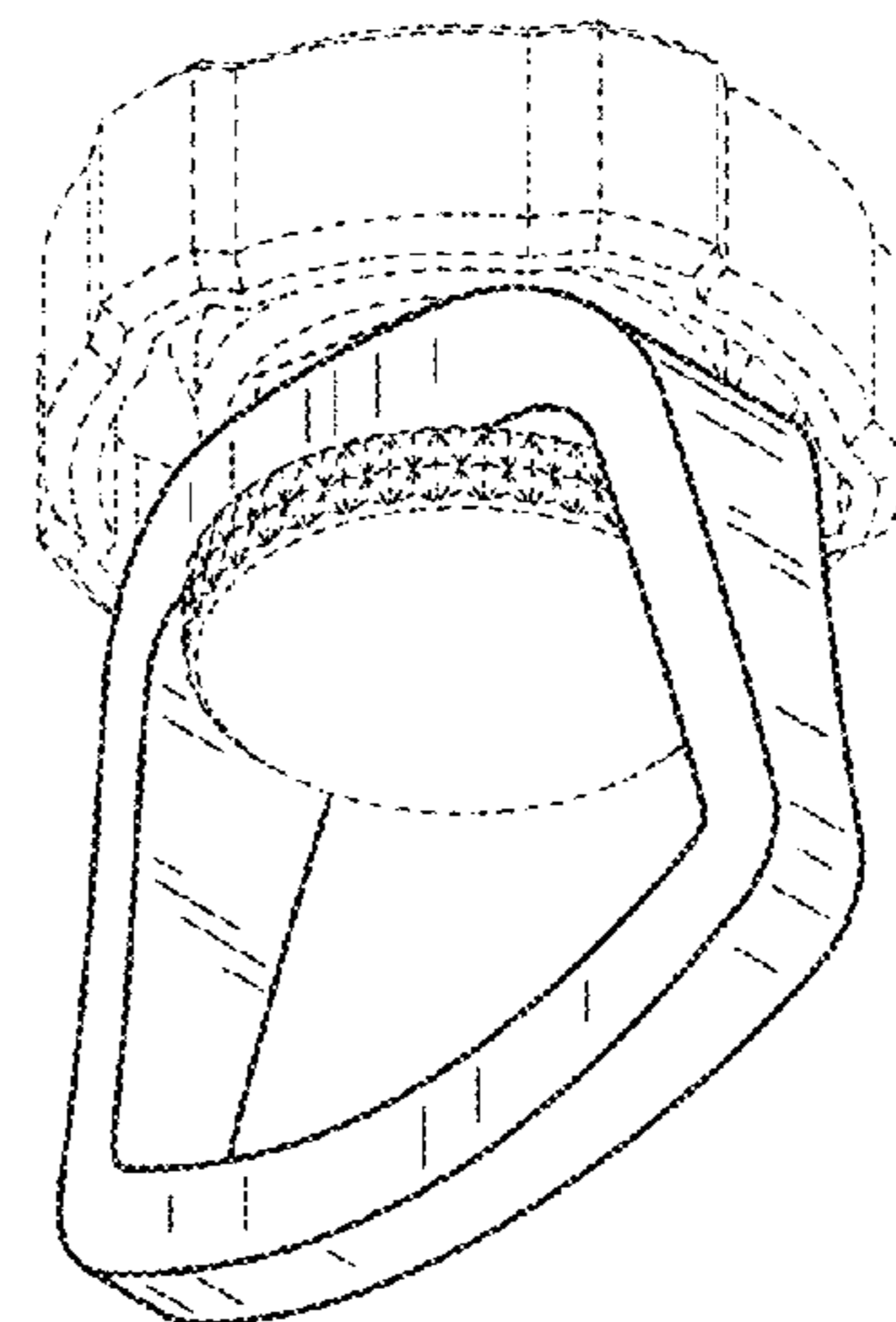
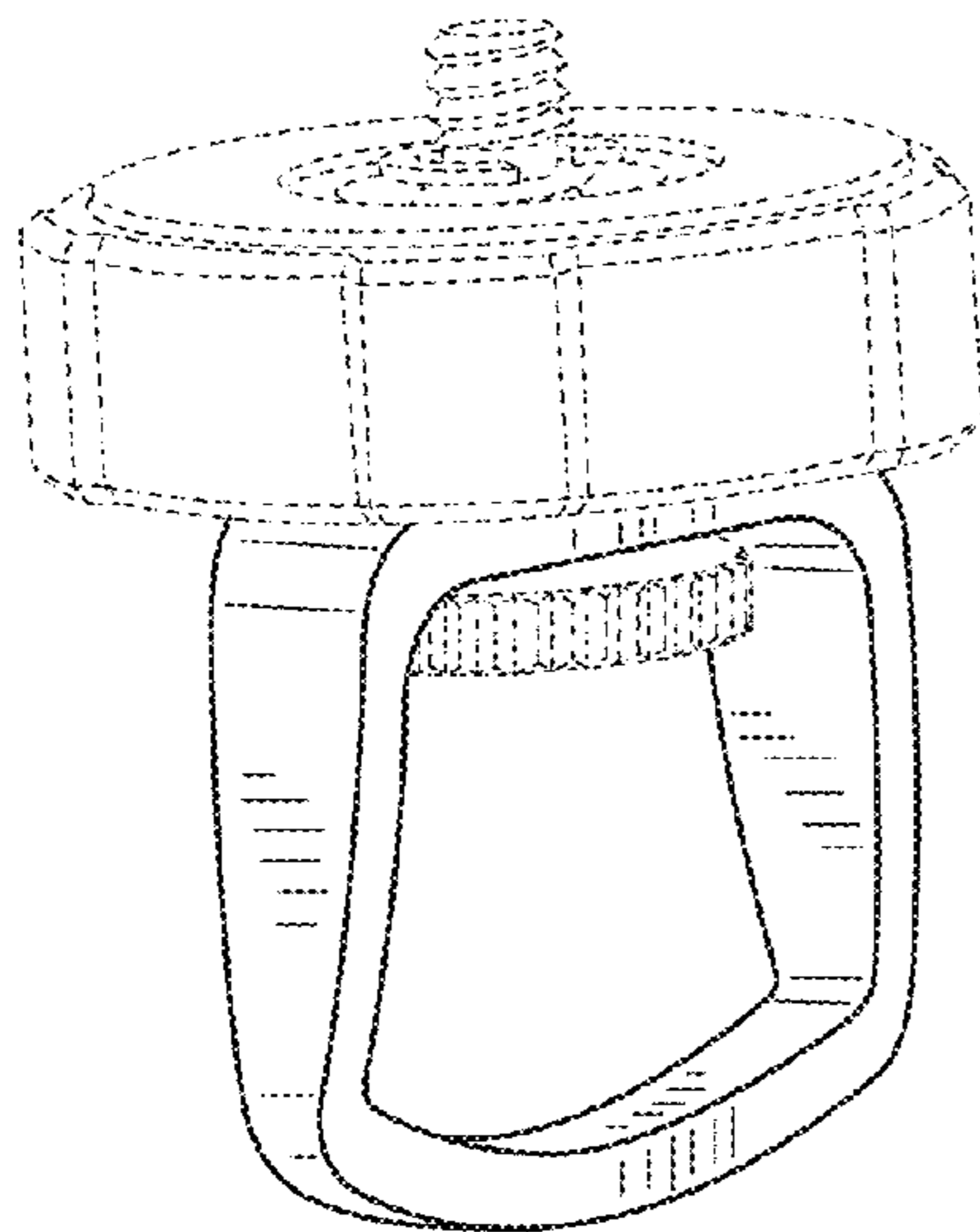
(57) **CLAIM**

The ornamental design for an attachment for a strap, as shown and described.

DESCRIPTION

FIG. 1 is a front perspective view of the attachment for a strap; FIG. 2 is a top plan view of the embodiment of FIG. 1; FIG. 3 is a left elevation view of the embodiment of FIG. 1; FIG. 4 is a front elevation view of the embodiment of FIG. 1; FIG. 5 is a rear elevation view of the embodiment of FIG. 1; FIG. 6 is a right elevation view of the embodiment of FIG. 1; FIG. 7 is a bottom plan view of the embodiment of FIG. 1; FIG. 8 is a front perspective view of the attachment for a strap according to an alternative embodiment; FIG. 9 is a top plan view of the embodiment of FIG. 8; FIG. 10 is a left elevation view of the embodiment of FIG. 8; FIG. 11 is a front elevation view of the embodiment of FIG. 8; FIG. 12 is a rear elevation view of the embodiment of FIG. 8; FIG. 13 is a right elevation view of the embodiment of FIG. 8; and, FIG. 14 is a bottom plan view of the embodiment of FIG. 8. The broken lines showing an attachment for a strap are included for the purpose of illustrating environment and form no part of the claimed design.

1 Claim, 6 Drawing Sheets



(56)

References Cited

U.S. PATENT DOCUMENTS

D241,117	S *	8/1976	Holtz	D8/367
D411,220	S *	6/1999	Surabian	D16/242
D413,252	S *	8/1999	Striabel	D8/367
D453,000	S *	1/2002	Shinjo et al.	D8/397
D453,102	S *	1/2002	Postelwait	D8/349
D555,699	S	11/2007	Oh et al.		
D604,592	S *	11/2009	Given	D8/367
D619,451	S	7/2010	Carlesso		
D649,018	S *	11/2011	Kope	D8/367
D656,534	S *	3/2012	Geller	D16/242
D659,518	S *	5/2012	Xu	D8/356
D673,994	S	1/2013	Geller		
D675,806	S *	2/2013	Caul	D2/500
D679,577	S *	4/2013	Moreau et al.	D8/367
2012/0014686	A1	1/2012	Kope et al.		
2012/0048901	A1	3/2012	Wong et al.		
2013/0101280	A1	4/2013	Xu		
2013/0312232	A1	11/2013	Fujiwara		

OTHER PUBLICATIONS

California Sunbounce Sun-Sniper Bear Camera Screw by California Sunbounce, dated Oct. 13, 2011. found online [Dec. 16, 2013] http://www.amazon.com/California-Sunbounce-Sun-Sniper-Camera-Sniper/dp/B0047T6PH2/ref=cm_cr_pr_product_top.*

BlackRapid SnapR 35 Case: Features by Joshua Waller, dated Jul. 28, 2011. found online [Dec. 16, 2013] <http://www.ephotozine.com/article/blackrapid-snapr-35-camera-bag-review-17018>.*

Custom SLR C-Loop Review by Peter Bargh, dated May 9, 2012. found online [Dec. 16, 2013] <http://www.ephotozine.com/article/custom-slr-c-loop-review-19169>.*

U.S. Appl. No. 29/431,283, filed Sep. 5, 2012, Goff et al. Screen-shot of Google image detail of “Quick Grip™ DSLR Hand Strap by Case Logic,” Jun. 26, 2012 [retrieved Dec. 16, 2013], 1 page. Retrieved from: www.google.com/imgres?rls=com.microsoft-us:IE-SearchBox&biw=1280&bih=734&tbm=isch&tbid=Wm6nES8KyYMa9M:&imgrefurl=http://www.caselogic.com/en-us/products/camera-cases/accessories/quick-gript-dslr-hand-strap-_dhs_-_101_-. Screen-shot of “Quick Grip™ DSLR Hand Strap,” Case Logic, Inc., Jun. 26, 2012 [retrieved Dec. 16, 2013], 1 page. Retrieved from: www.caselogic.com/en-us/us/products/camera-cases/accessories/quick-gript-dslr-hand-strap-_dhs_-_101_-_black. Notice of Allowance for U.S. Appl. No. 29/431,283 mailed Mar. 12, 2014, 6 pages.

* cited by examiner

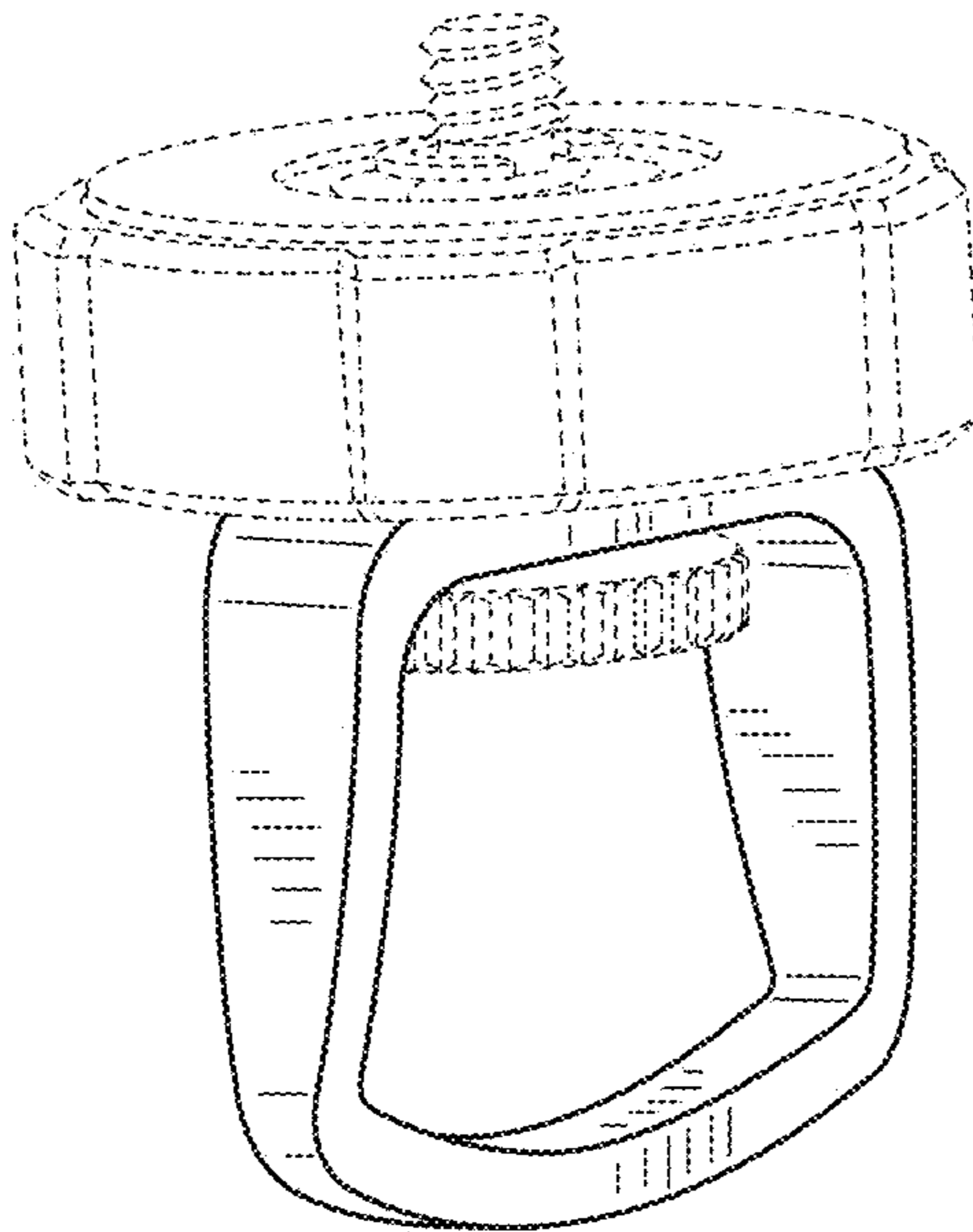


FIG.1

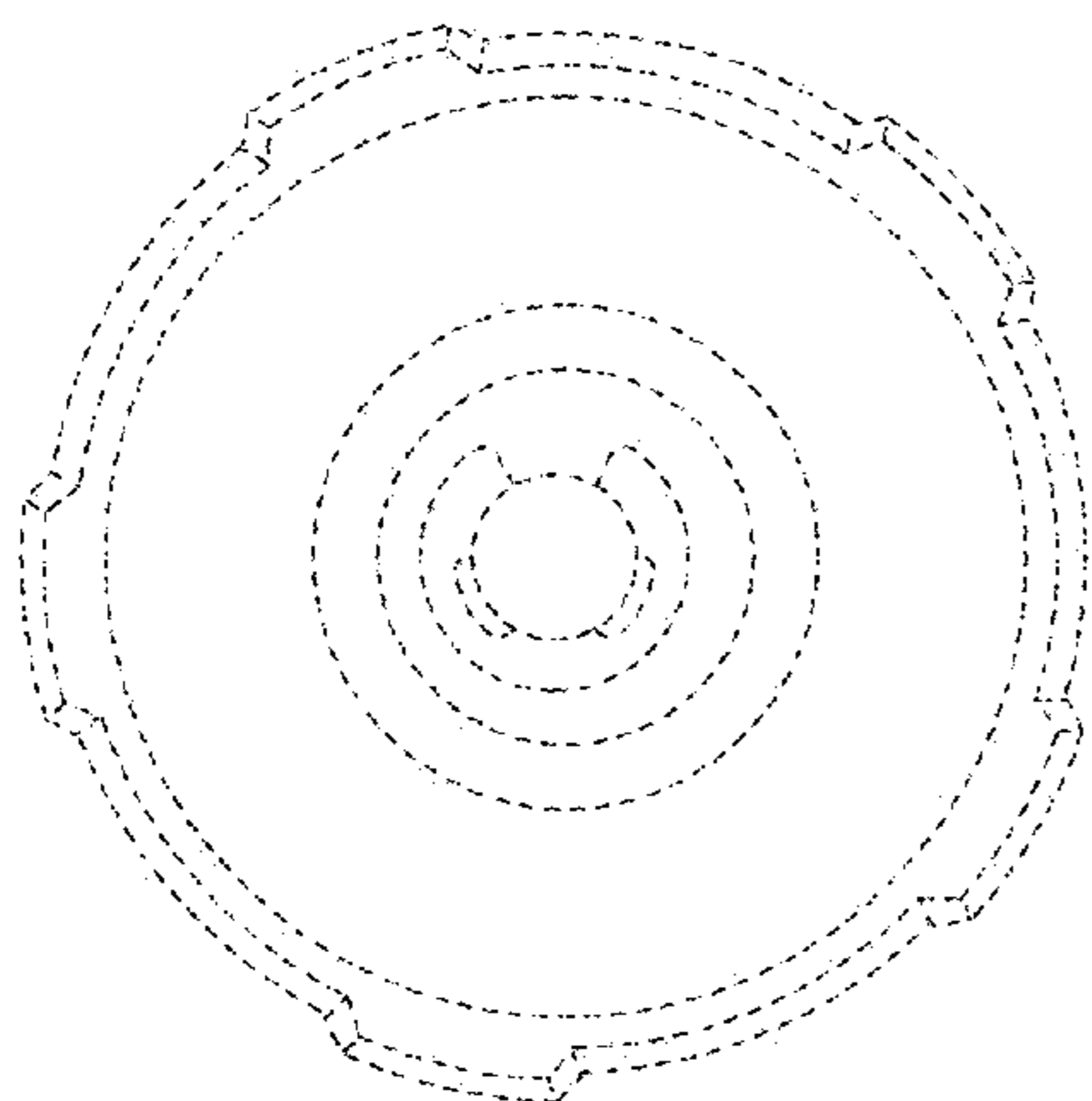


FIG. 2

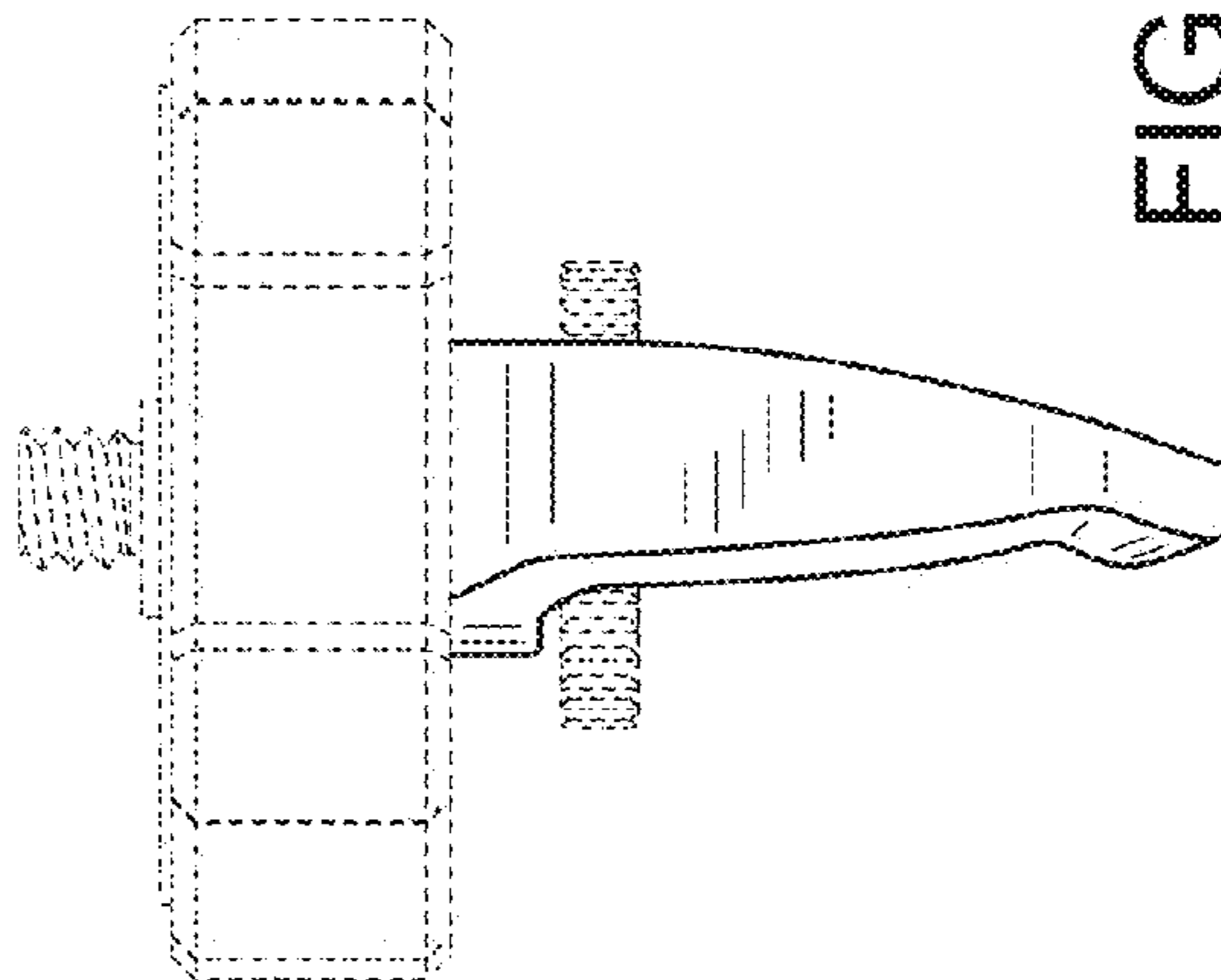


FIG. 3

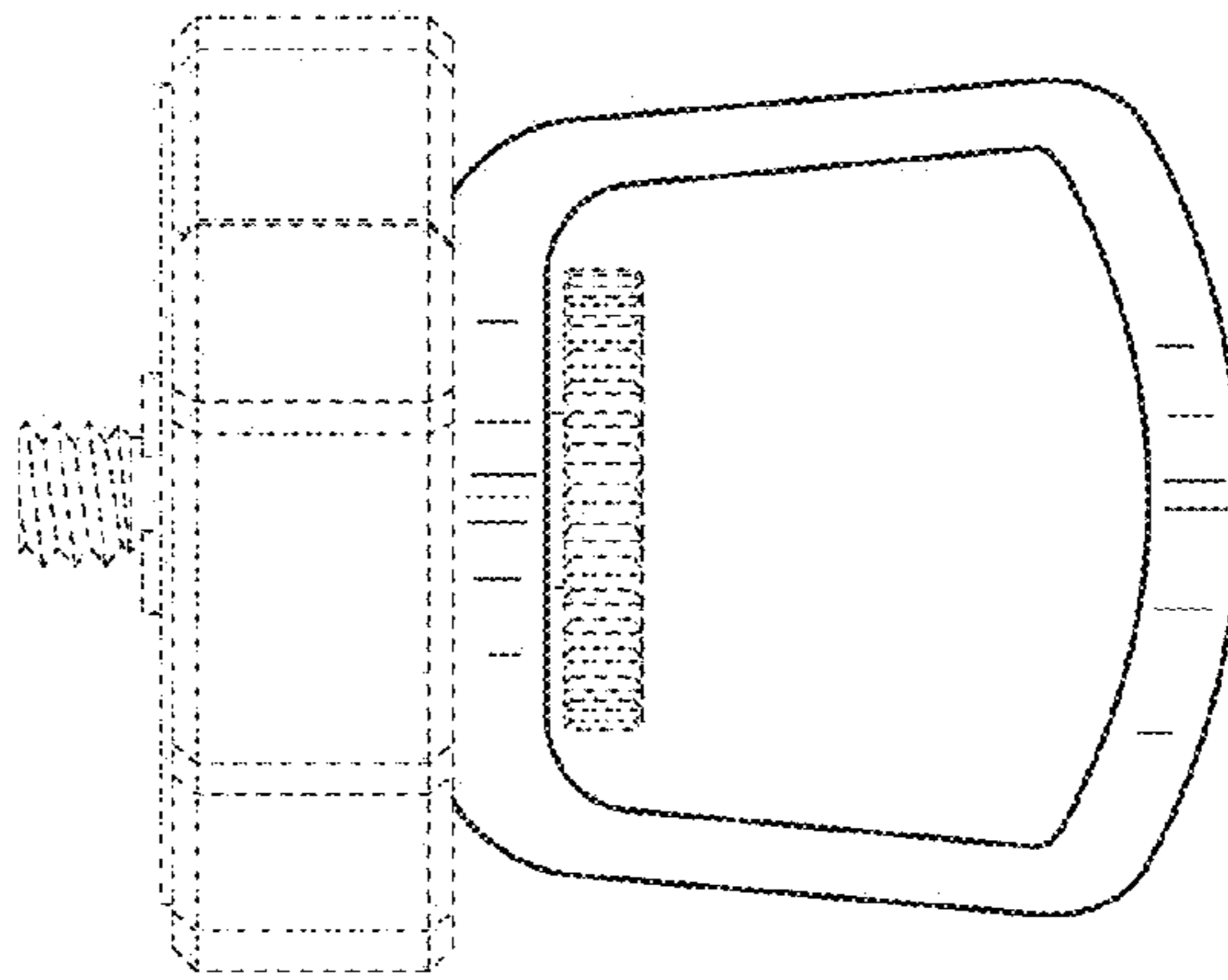


FIG. 4

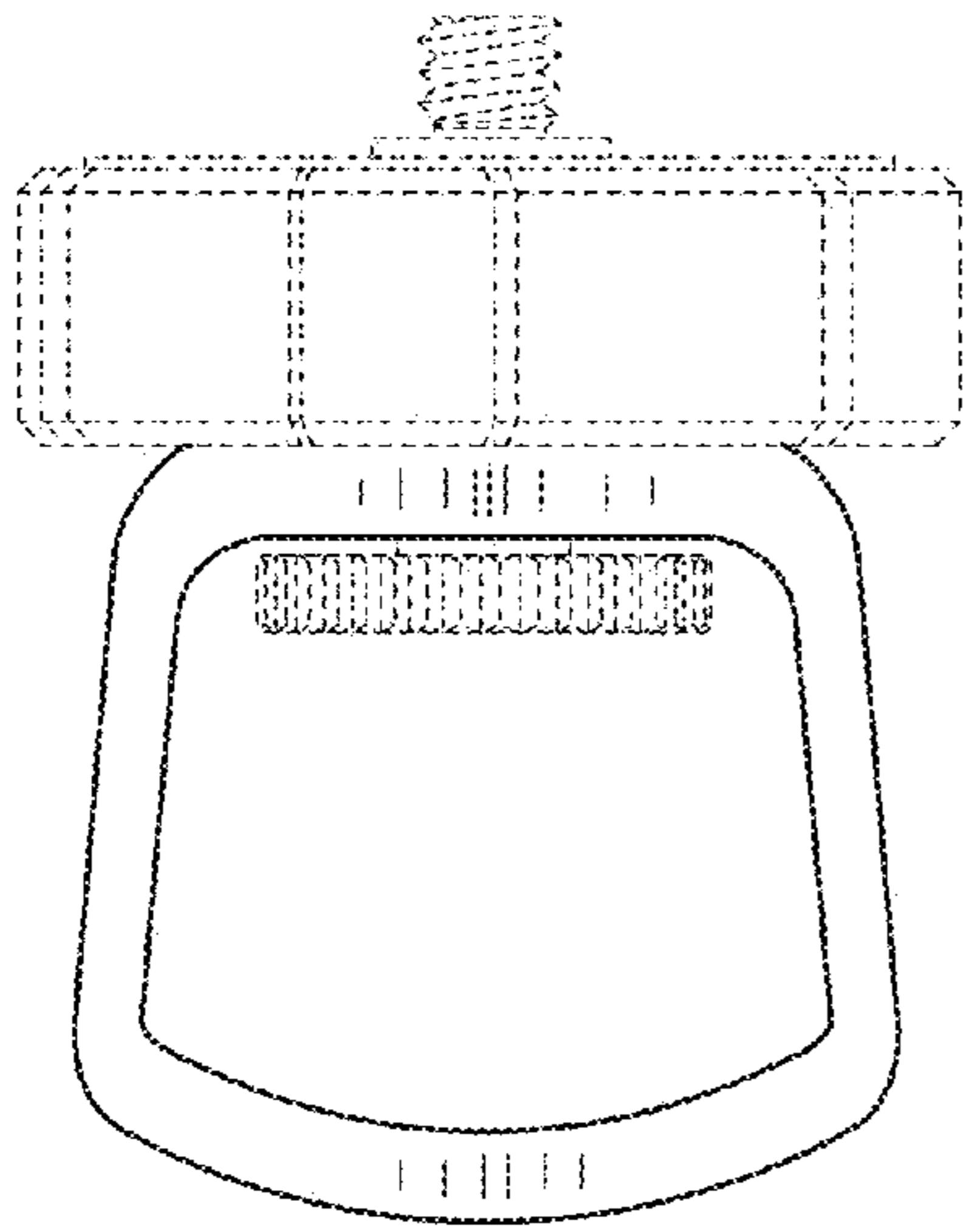


FIG. 5

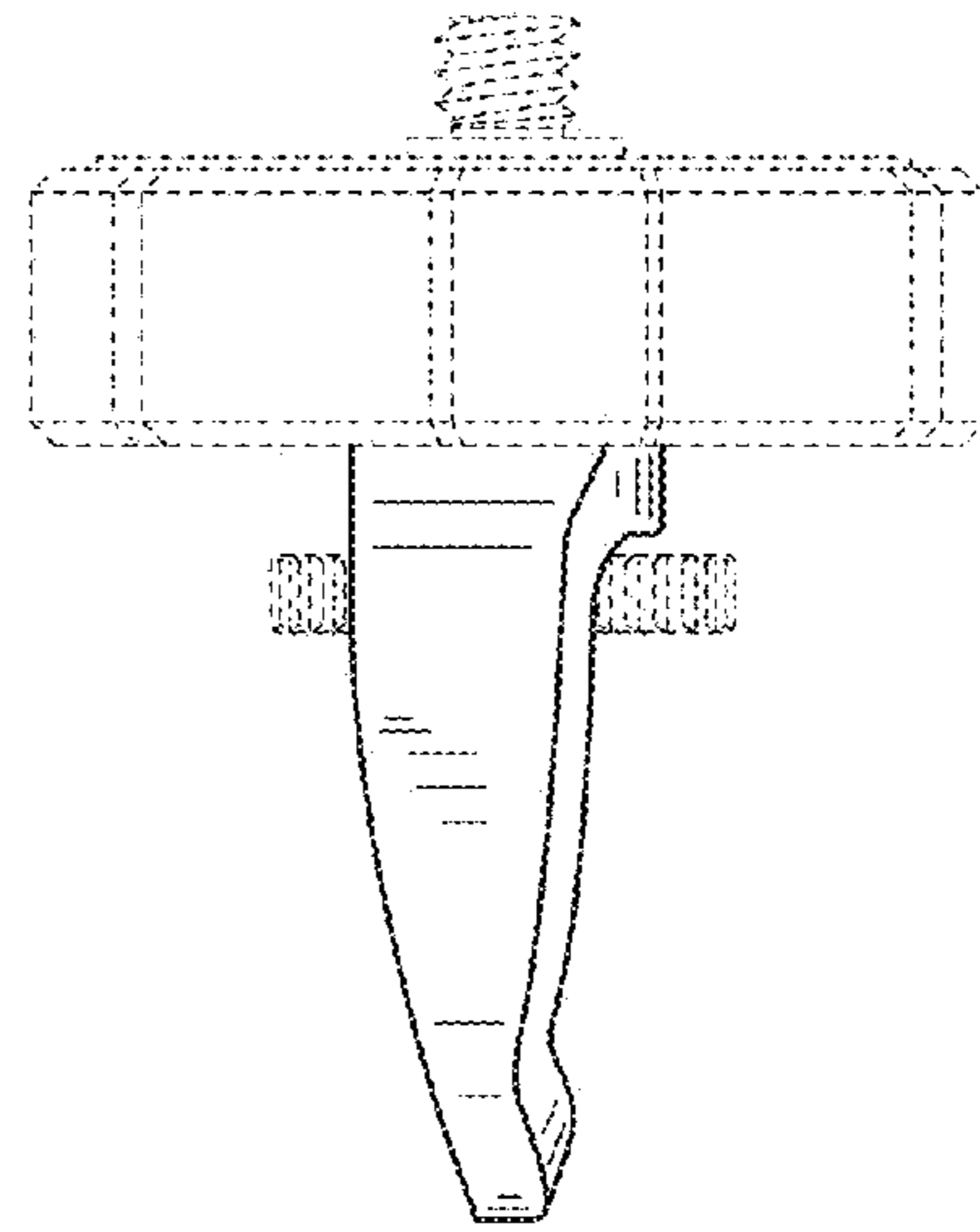


FIG. 6

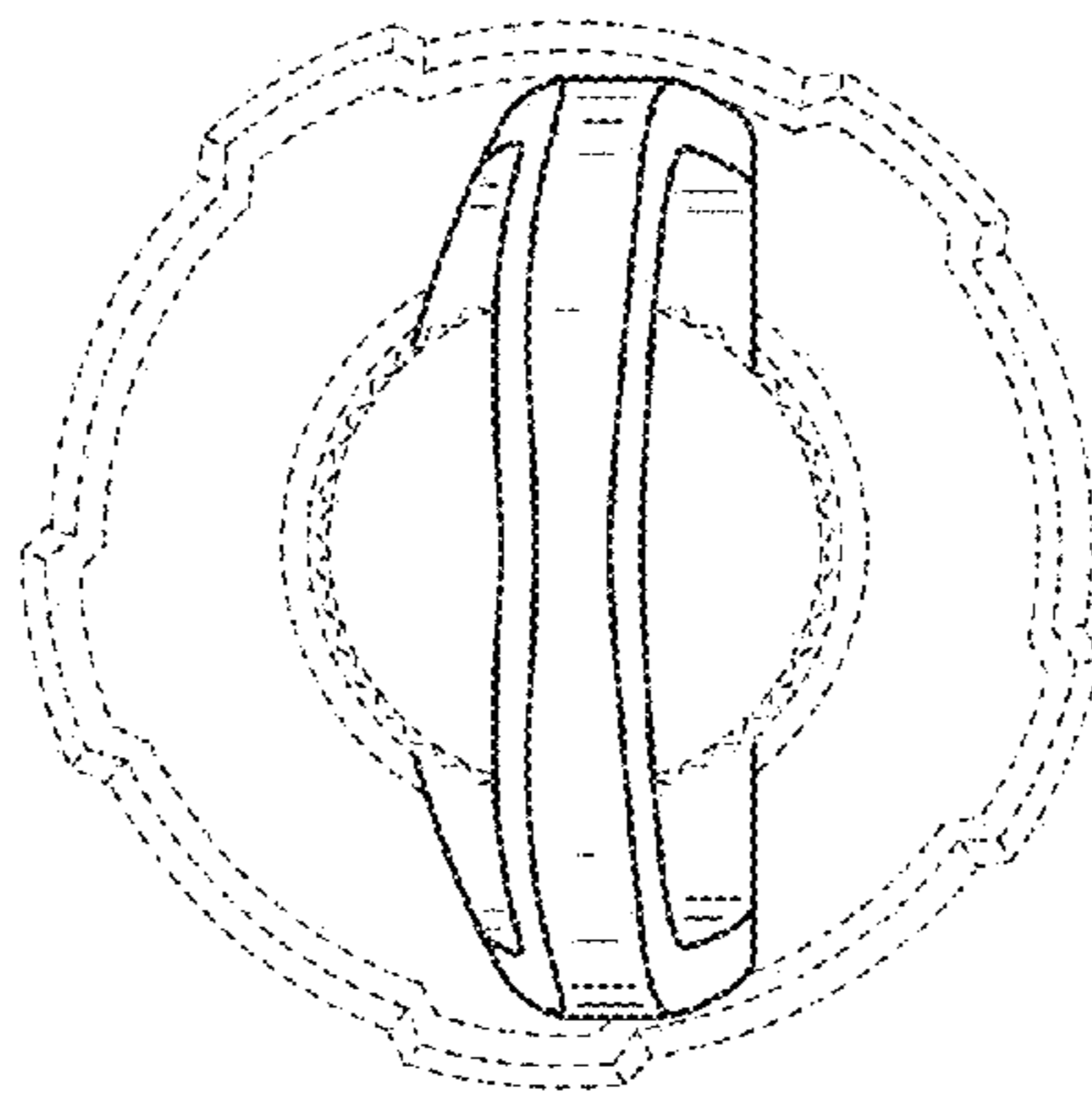


FIG. 7

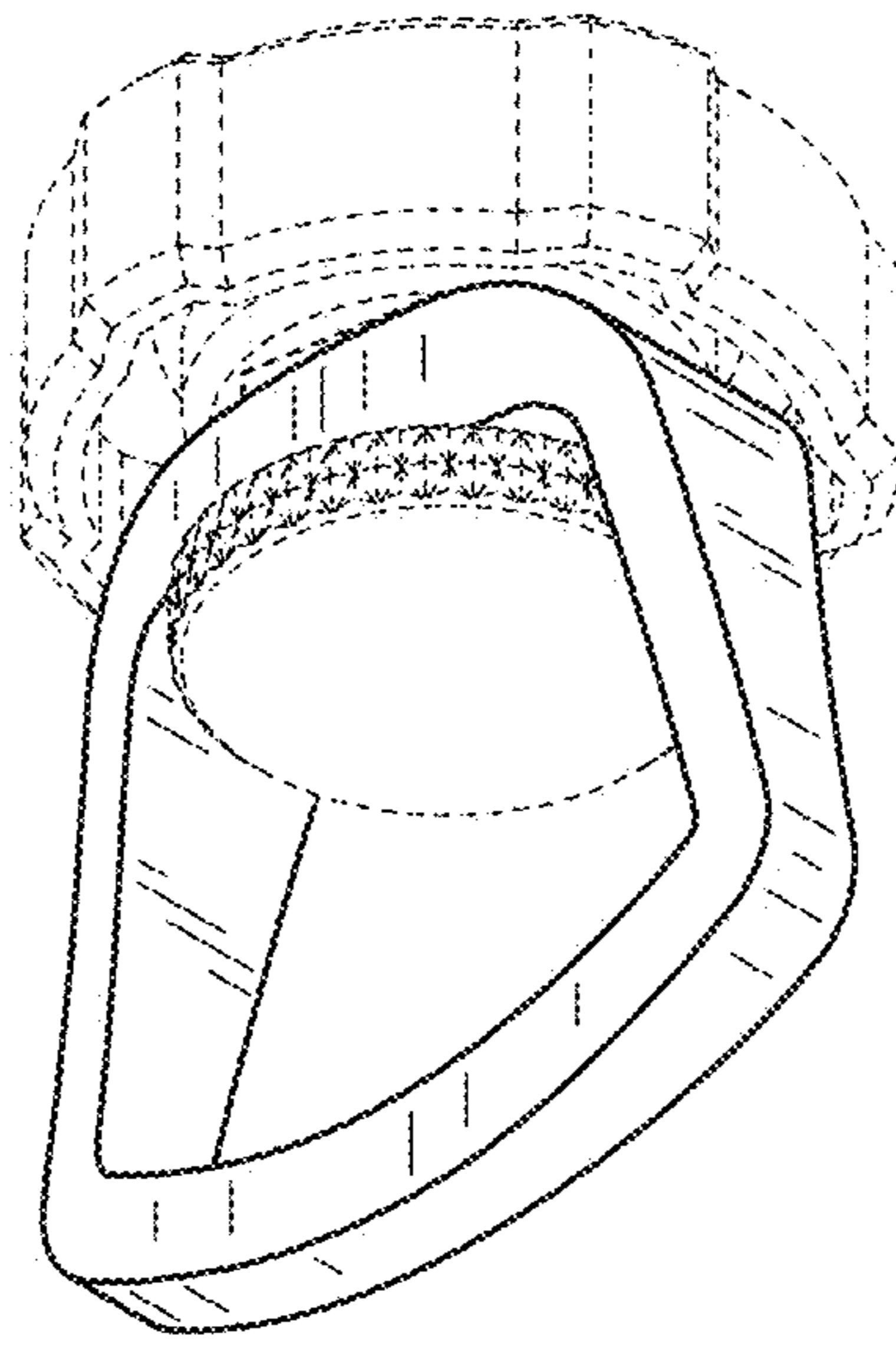


FIG.8

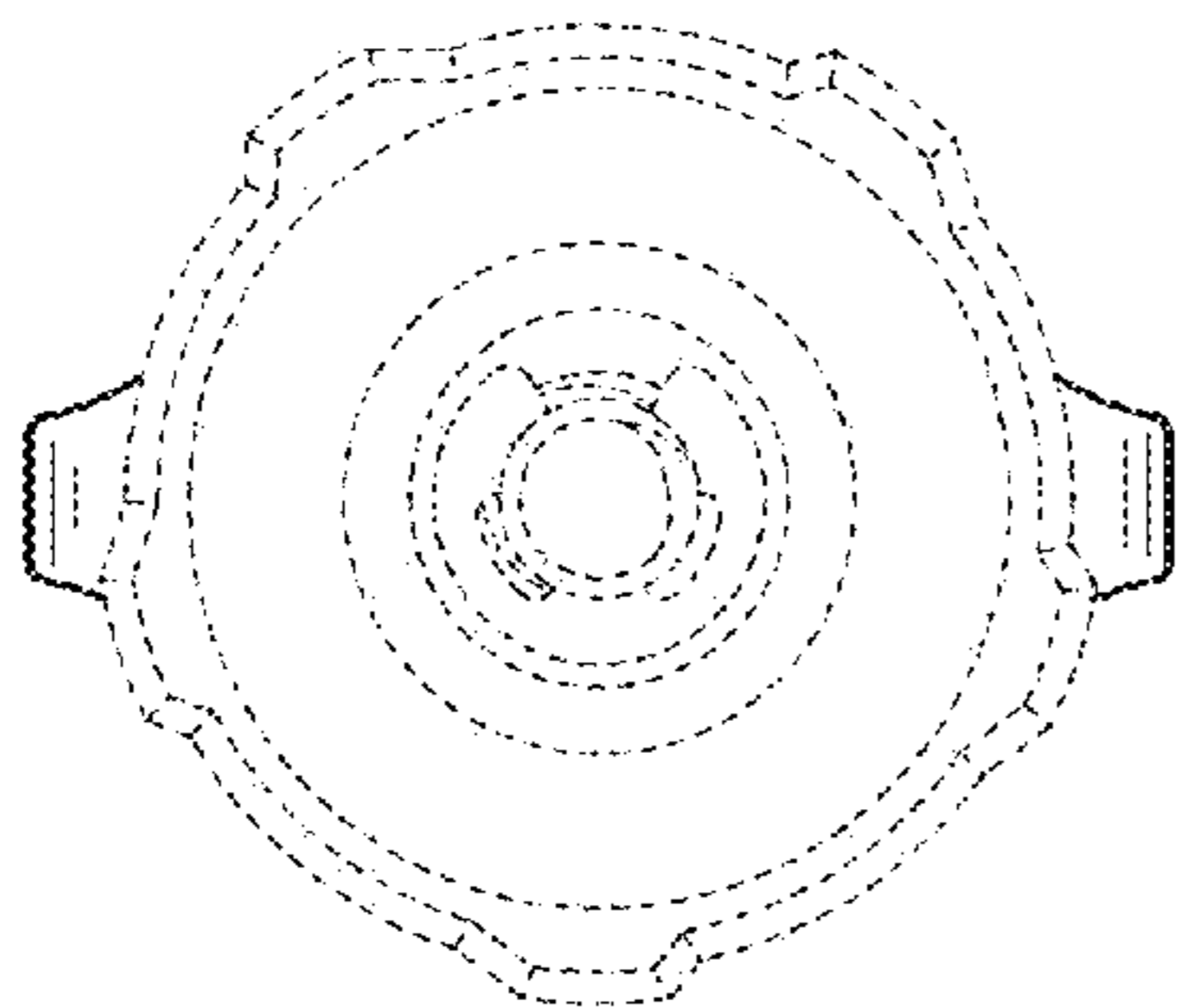


FIG. 9

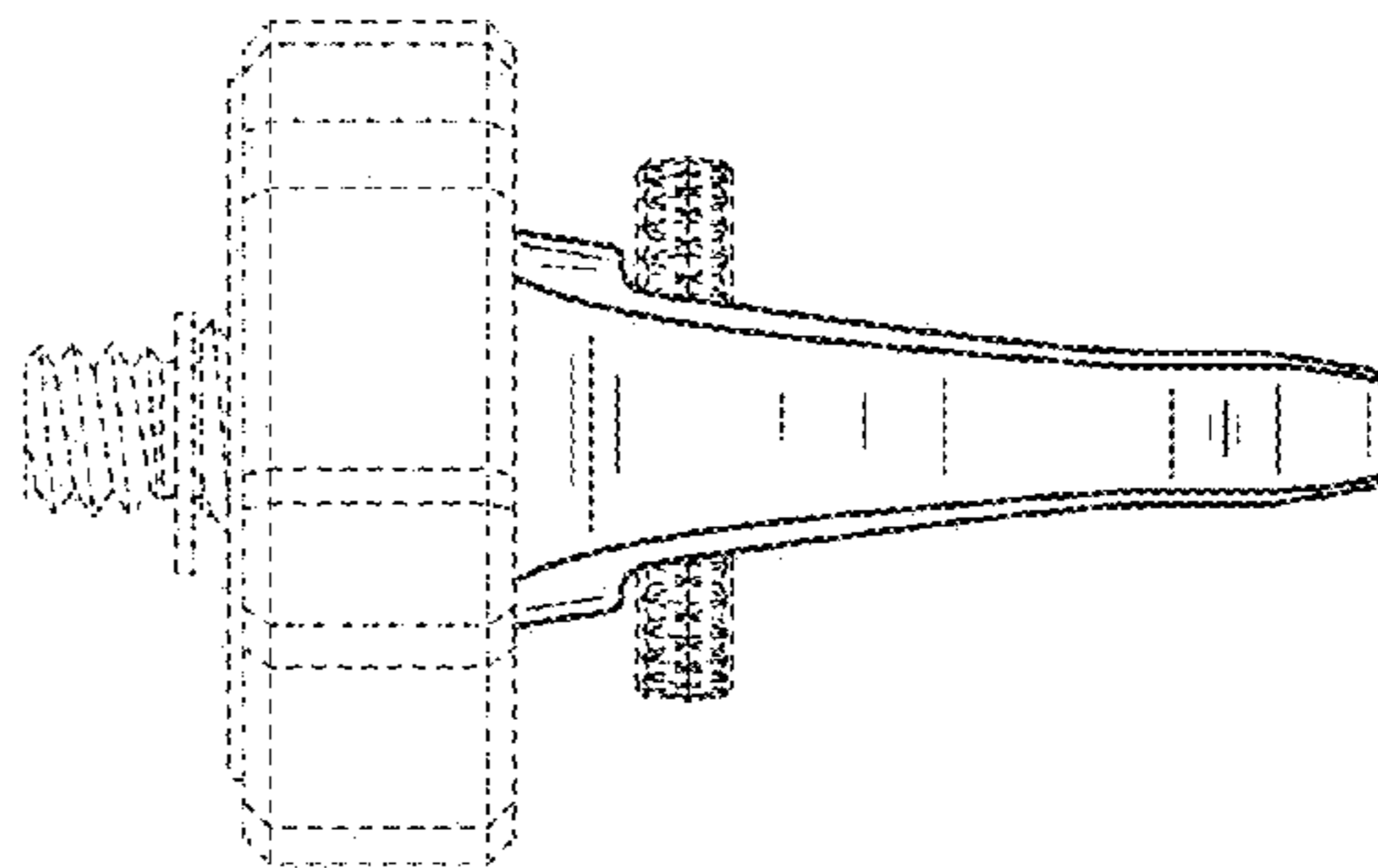


FIG. 10

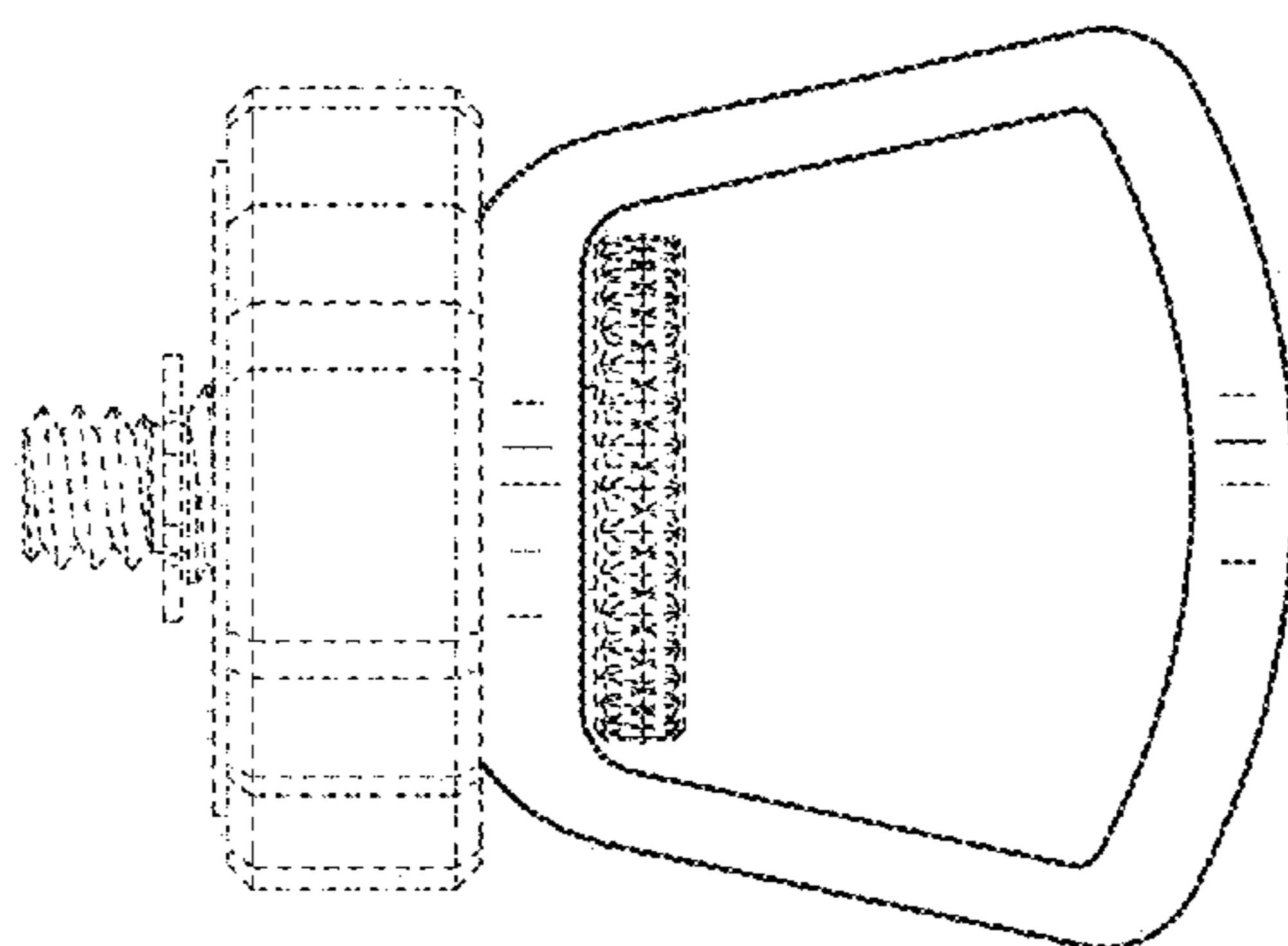


FIG. 11

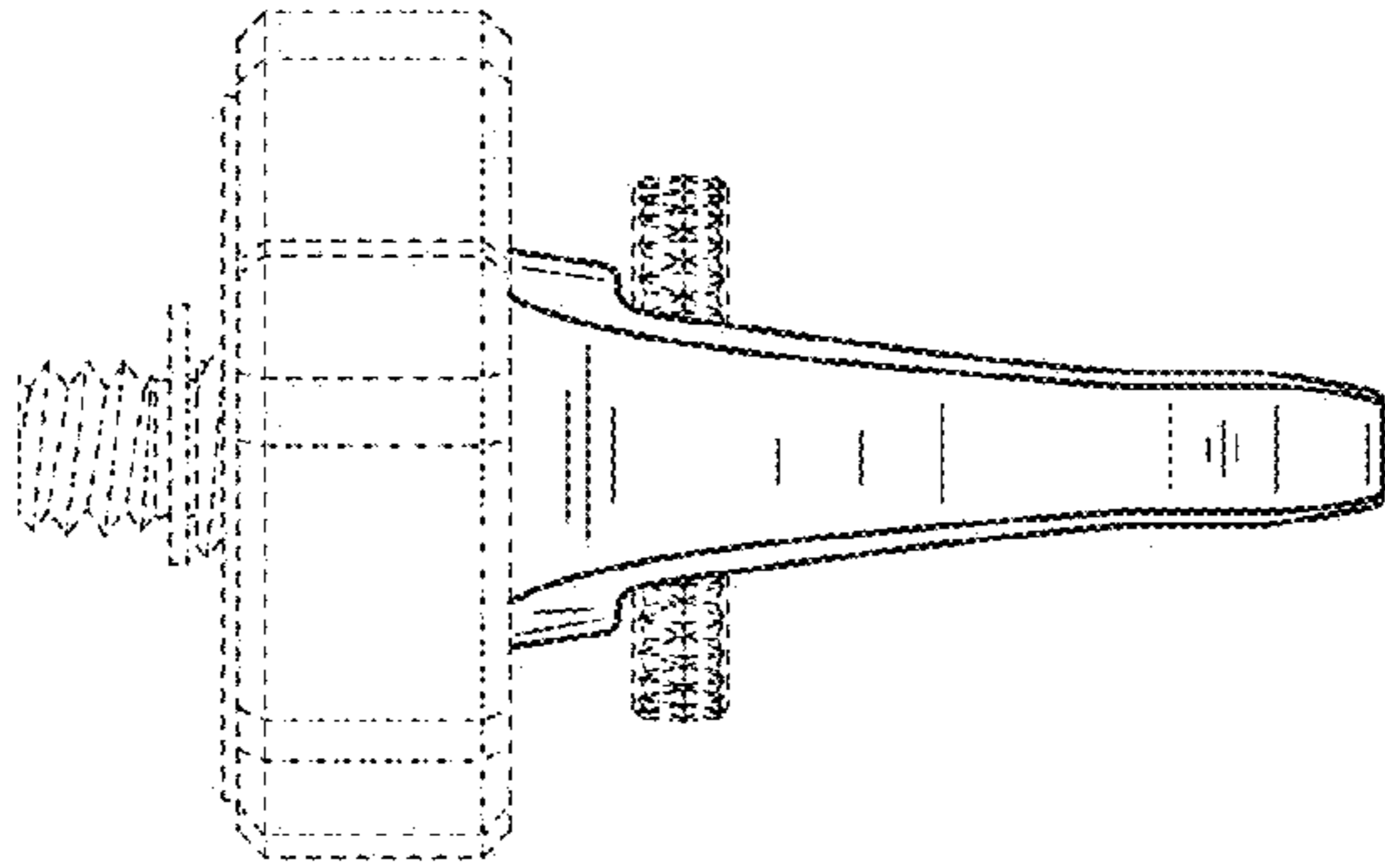


FIG.12

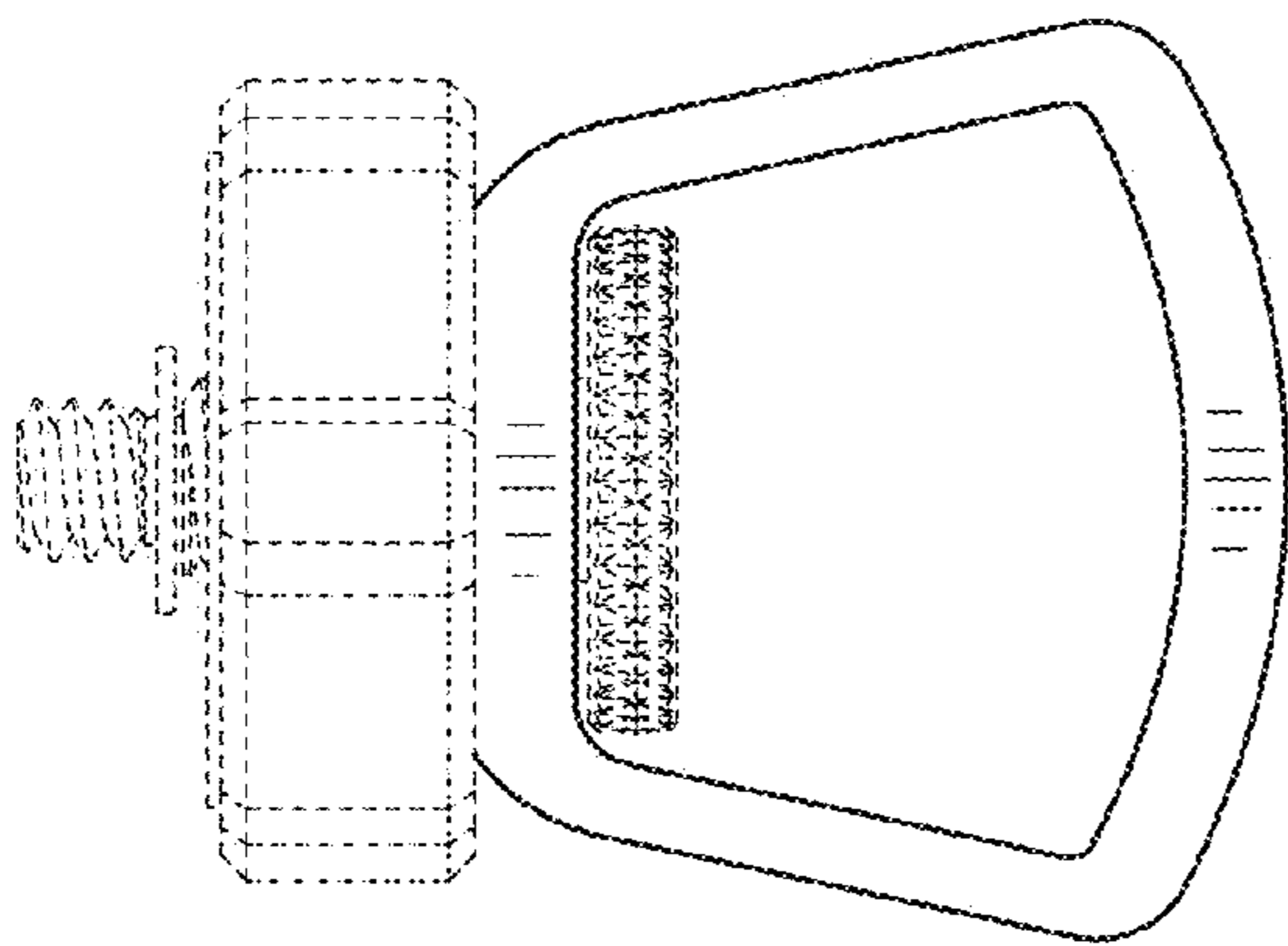


FIG.13

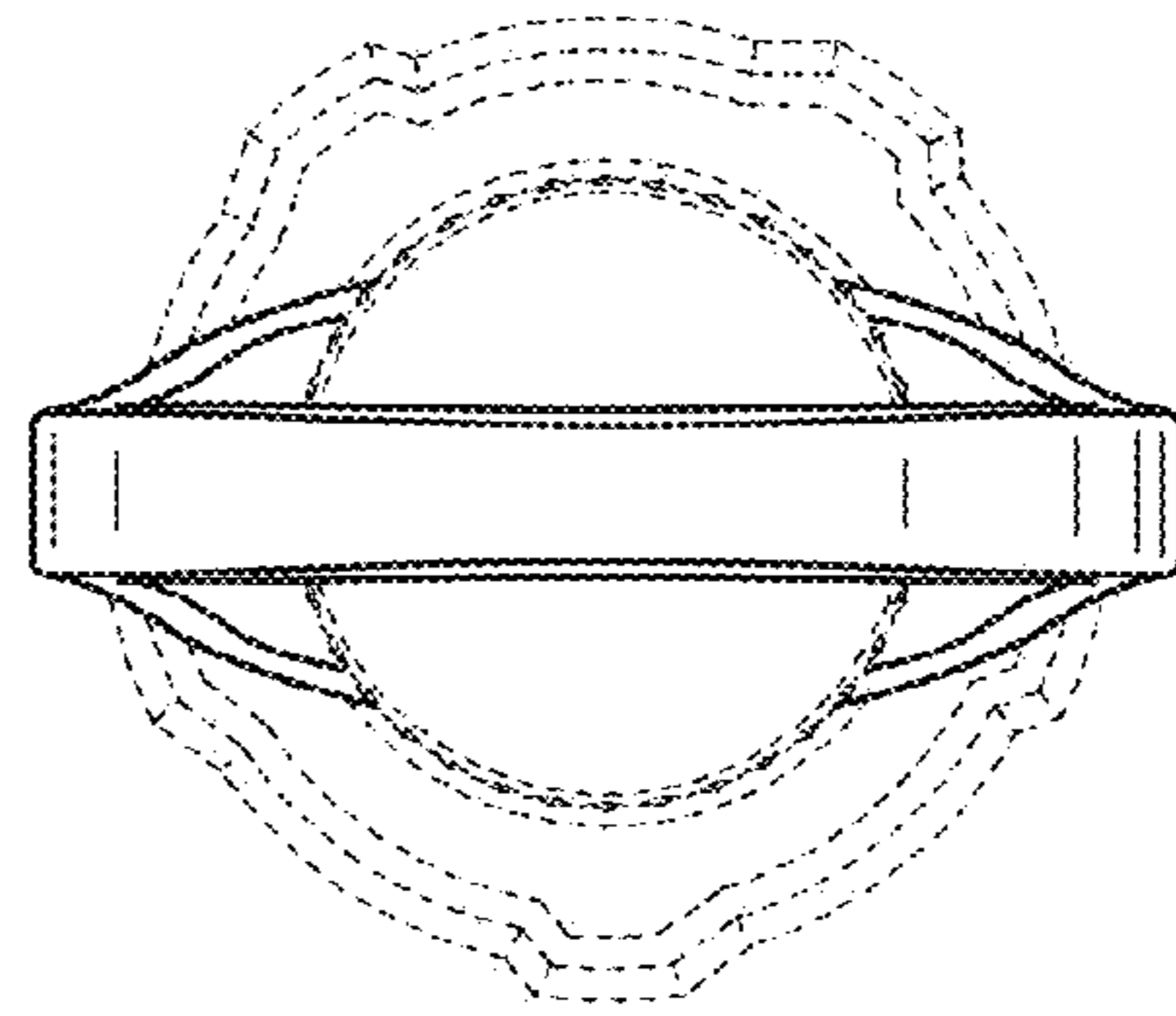


FIG.14