



US00D709544S

(12) **United States Design Patent**
Isogawa

(10) **Patent No.:** **US D709,544 S**

(45) **Date of Patent:** **** Jul. 22, 2014**

(54) **ELECTRONIC FLASH DEVICE**

(75) Inventor: **Shuichi Isogawa**, Fujisawa (JP)

(73) Assignee: **Nikon Corporation**, Tokyo (JP)

(**) Term: **14 Years**

(21) Appl. No.: **29/415,417**

(22) Filed: **Mar. 9, 2012**

(30) **Foreign Application Priority Data**

Sep. 16, 2011 (JP) 2011-021231

(51) **LOC (10) Cl.** **16-05**

(52) **U.S. Cl.**
USPC **D16/239**

(58) **Field of Classification Search**
USPC D16/237, 239, 240; D26/24, 37-38, 63,
D26/110, 113, 129; 362/3, 16-18, 182, 552,
362/612; D13/180, 182, 133, 147;
313/313-316; 348/370; 396/200;
D28/44.2, 54

See application file for complete search history.

(56) **References Cited**

U.S. PATENT DOCUMENTS

D132,900 S * 6/1942 Whitney D28/54
D286,454 S * 10/1986 Stephens D28/54
D530,282 S * 10/2006 Sukegawa et al. D13/147
D531,124 S * 10/2006 Dwan et al. D13/147

D559,456 S * 1/2008 Melton et al. D28/54
D565,793 S * 4/2008 Wallace D28/54
D620,442 S * 7/2010 Sun et al. D13/147
D658,331 S * 4/2012 Yoon D28/54
D675,380 S * 1/2013 Yoon D28/54
D692,835 S * 11/2013 Ozeki D13/147

* cited by examiner

Primary Examiner — Susan Bennett Hattan

Assistant Examiner — Vy Koenig

(74) *Attorney, Agent, or Firm* — Wolf, Greenfield & Sacks,
P.C.; Randy J. Pritzker

(57) **CLAIM**

The ornamental design for an electronic flash device, as shown and described.

DESCRIPTION

FIG. 1 is a front perspective view of an electronic flash device showing my new design;

FIG. 2 is a front view thereof;

FIG. 3 is a bottom plan view thereof;

FIG. 4 is an enlarged view showing the portion defined by lines 4-4 in FIG. 1;

FIG. 5 is an enlarged view showing the portion defined by lines 5-5 in FIG. 2; and,

FIG. 6 is an enlarged view showing the portion defined by lines 6-6 in FIG. 3.

The features shown in broken lines in the drawings depict environmental subject matter only and form no part of the claimed design. The dash-dotted lines denote the boundary of the claim and form no part of the claimed design.

1 Claim, 6 Drawing Sheets

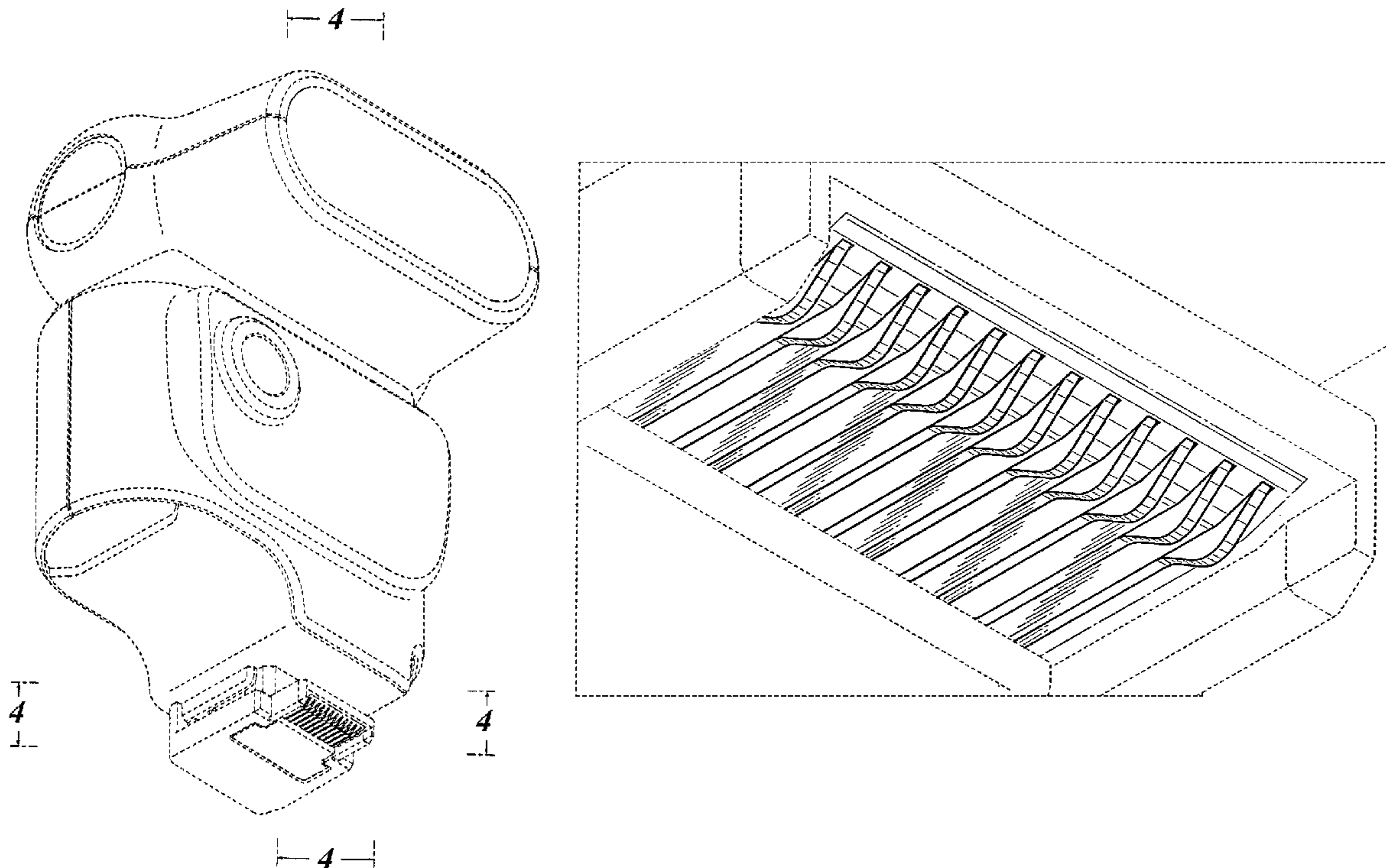


FIG. 1

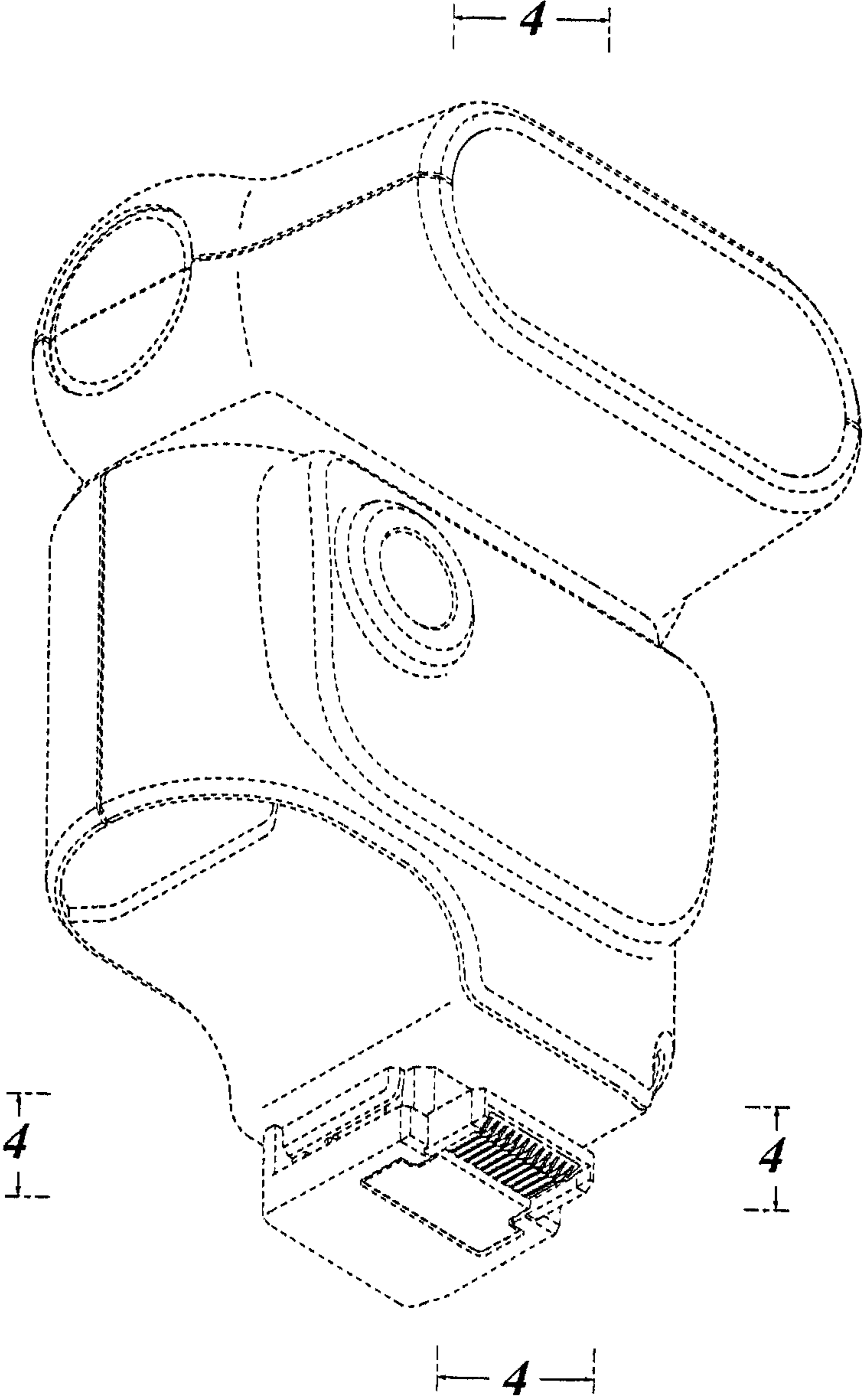


FIG. 2

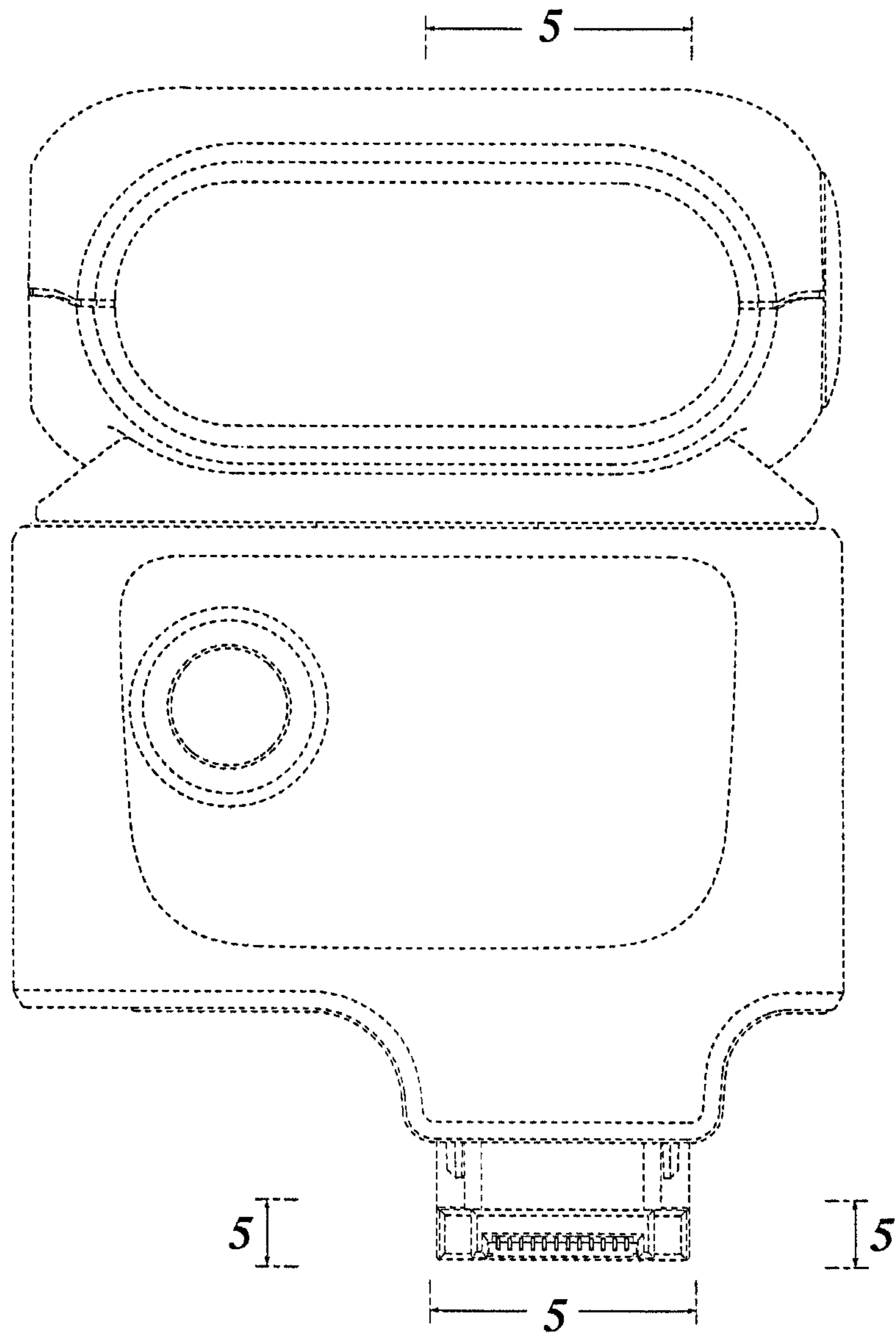


FIG. 3

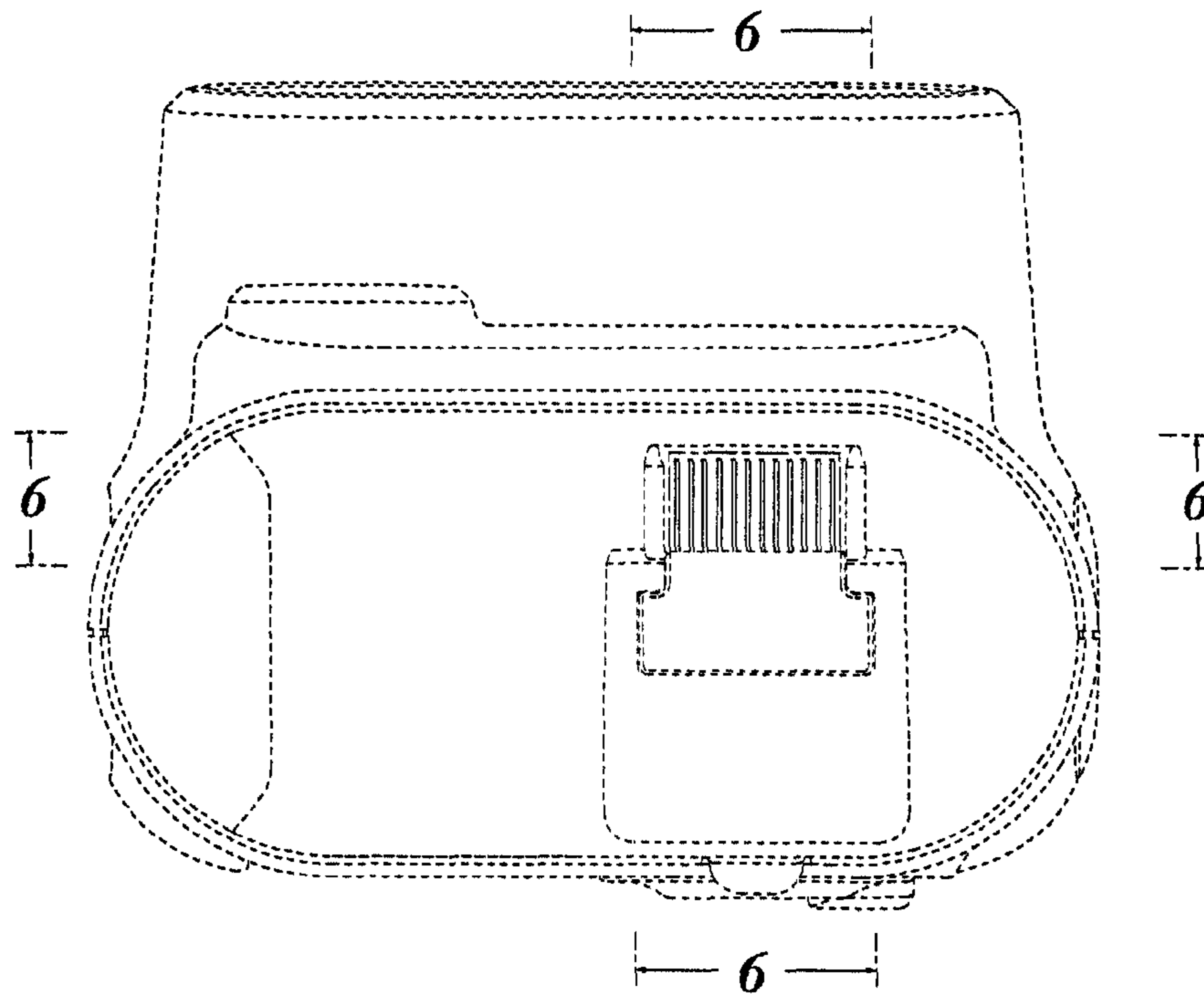


FIG. 4

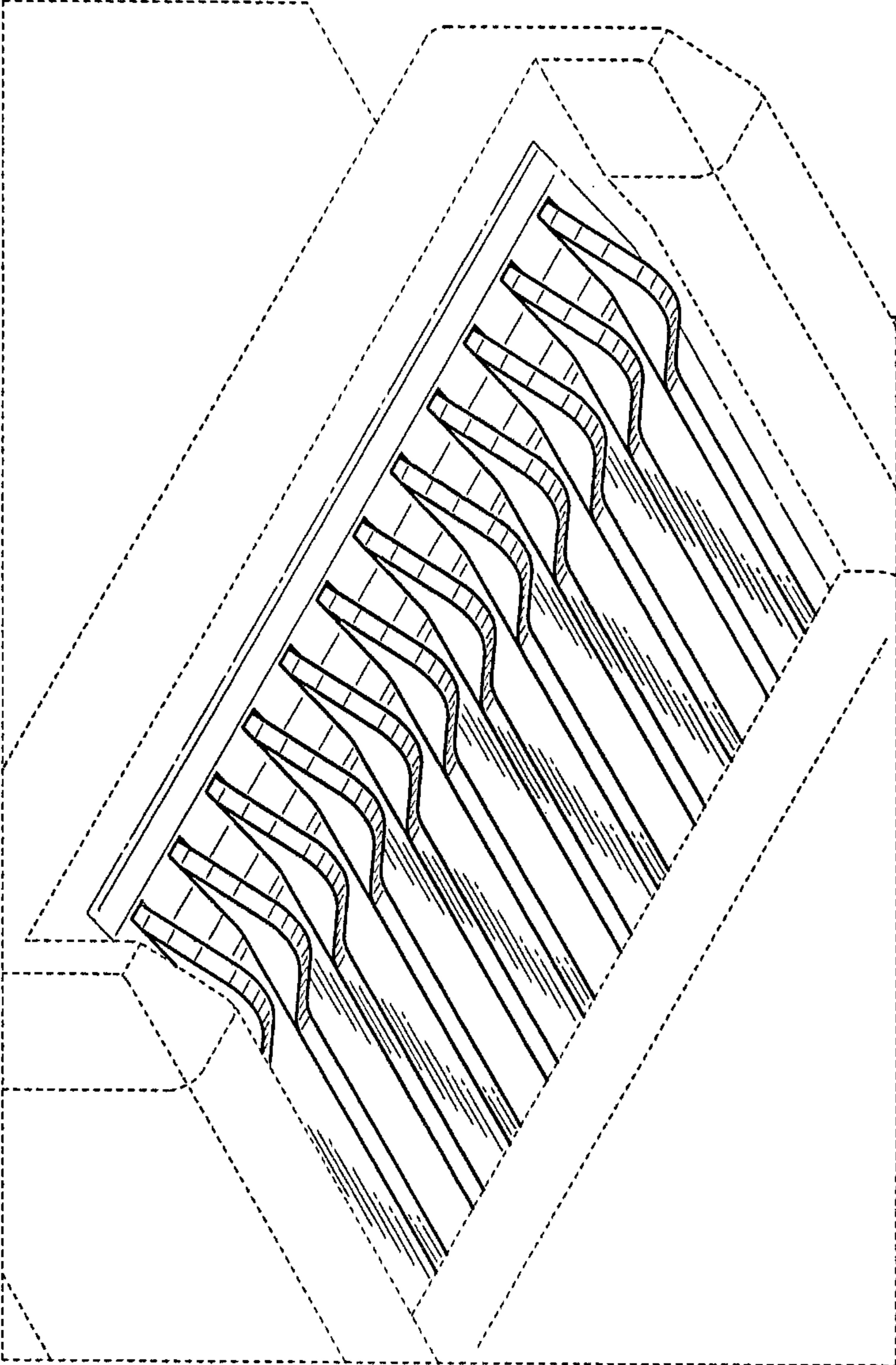


FIG. 5

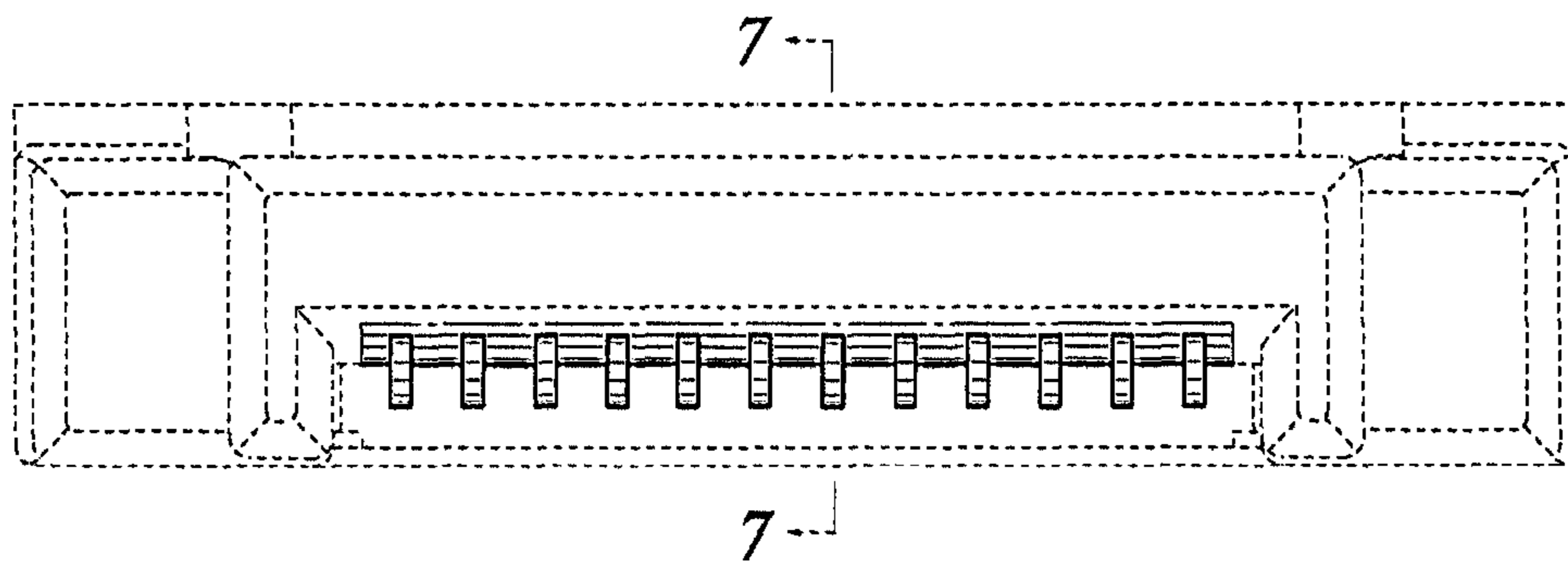


FIG. 6

