



US00D709542S

(12) **United States Design Patent**
Bailey

(10) **Patent No.:** **US D709,542 S**

(45) **Date of Patent:** **** Jul. 22, 2014**

(54) **CAMERA**

D656,531 S * 3/2012 Ahn et al. D16/202
D658,221 S * 4/2012 Bailey et al. D16/202
D660,339 S * 5/2012 Yoshida D16/202

(71) Applicant: **Logitech Europe S.A.**, Morges (CH)

(72) Inventor: **Kevin Michael Bailey**, Austin, TX (US)

(73) Assignee: **Logitech Europe S.A.**, Morges (CH)

(**) Term: **14 Years**

(21) Appl. No.: **29/455,705**

(22) Filed: **May 23, 2013**

(51) **LOC (10) Cl.** **16-01**

(52) **U.S. Cl.**
USPC **D16/202**

(58) **Field of Classification Search**
USPC D16/200, 202–205, 208, 218, 242;
348/143, 373–376; 396/419, 427, 428,
396/535

See application file for complete search history.

(56) **References Cited**

U.S. PATENT DOCUMENTS

6,437,826	B1 *	8/2002	Arnold	348/373
D500,511	S *	1/2005	Sybilrud	D16/203
D510,374	S *	10/2005	Greenwood et al.	D16/203
D536,719	S *	2/2007	Lukic et al.	D16/202
D571,839	S *	6/2008	Andresen	D16/202
7,473,040	B2 *	1/2009	Kenoyer et al.	396/428
D594,497	S *	6/2009	Hatori et al.	D16/202
D627,811	S *	11/2010	Andresen et al.	D16/202
D636,421	S *	4/2011	Sagen et al.	D16/202
D645,891	S *	9/2011	Kim et al.	D16/202

OTHER PUBLICATIONS

“Tandberg PrecisionHD Camera;” IVCi, Collaborate Anywhere, Copyright 2012, retrieved from <<http://www.ivci.com/videoconferencing-tandberg-precisionhd-camera.html>> on Jun. 24, 2013; pp. 1-2.

* cited by examiner

Primary Examiner — Adir Aronovich

(74) *Attorney, Agent, or Firm* — Meyertons Hood Kivlin Kowert & Goetzel, P.C.; Jeffrey C. Hood

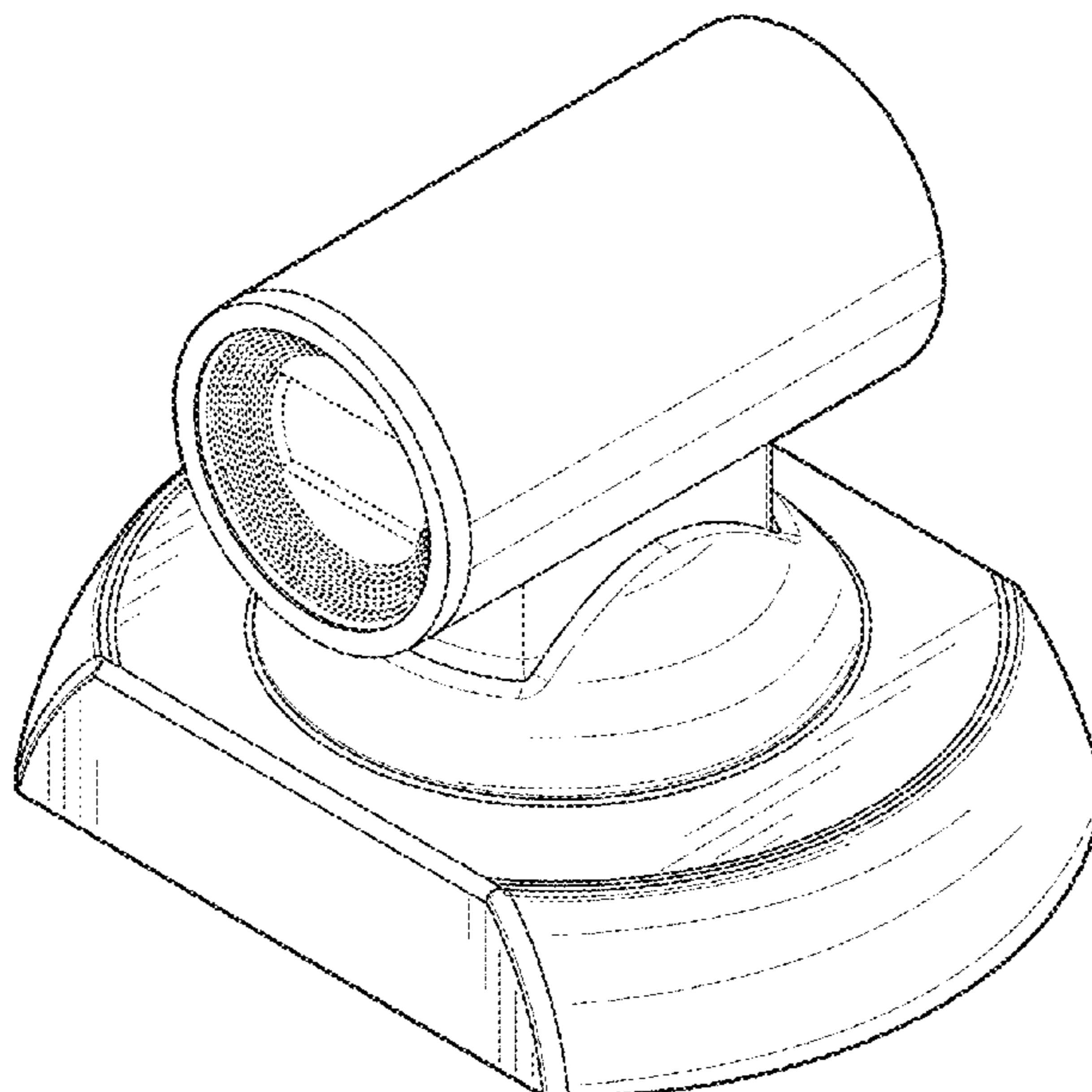
(57) **CLAIM**

The ornamental design for a camera, as shown and described.

DESCRIPTION

FIG. 1 is a front and right side perspective view of a camera showing my new design;
FIG. 2 is a front elevational view thereof;
FIG. 3 is a rear elevational view thereof;
FIG. 4 is a left side elevational view thereof;
FIG. 5 is a right side view elevational thereof;
FIG. 6 is top plan view thereof; and,
FIG. 7 is bottom plan view thereof.
The broken lines in the drawings are for illustrative purposes only and form no part of the claimed design.

1 Claim, 4 Drawing Sheets



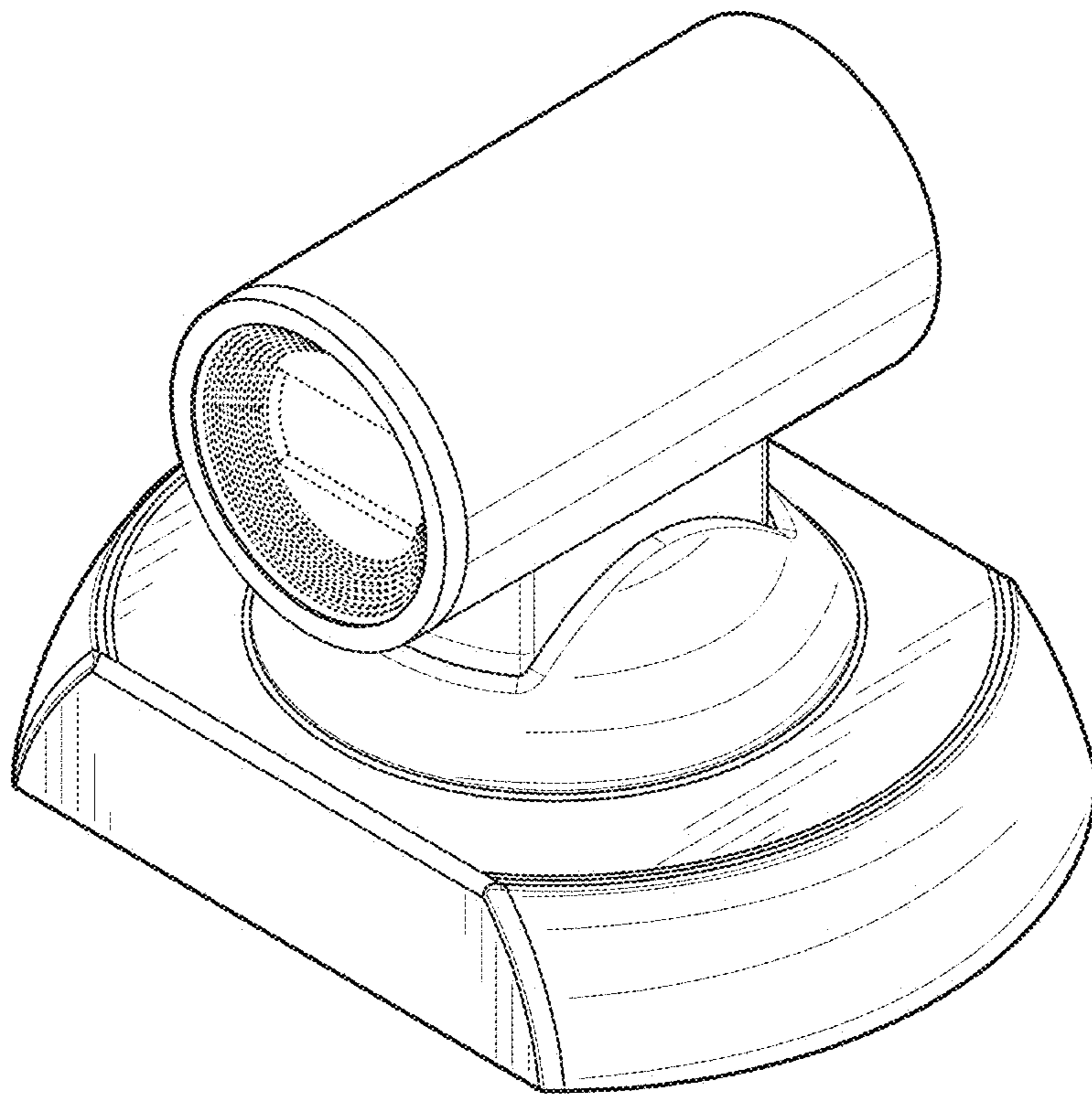


FIG. 1

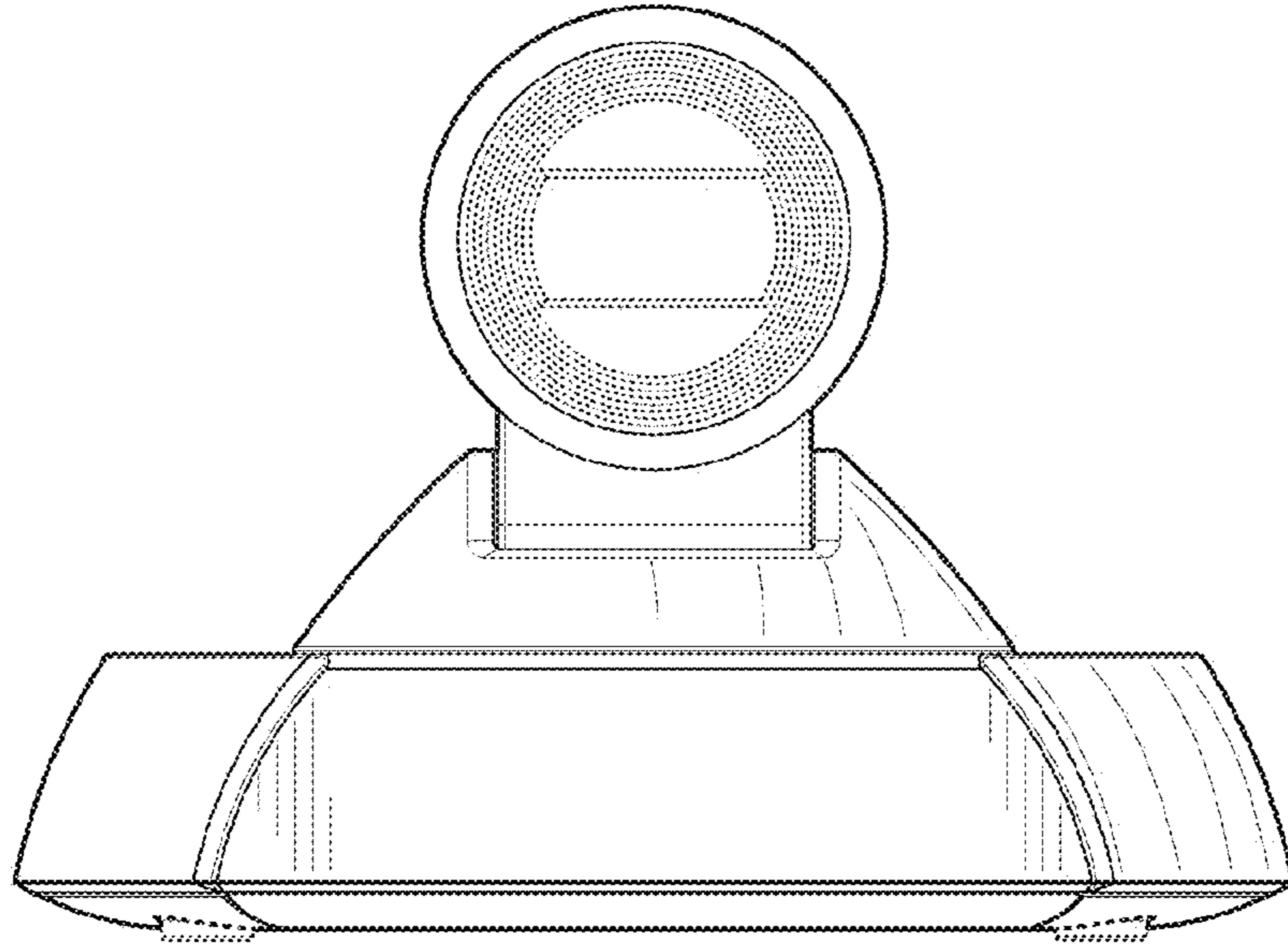


FIG. 2

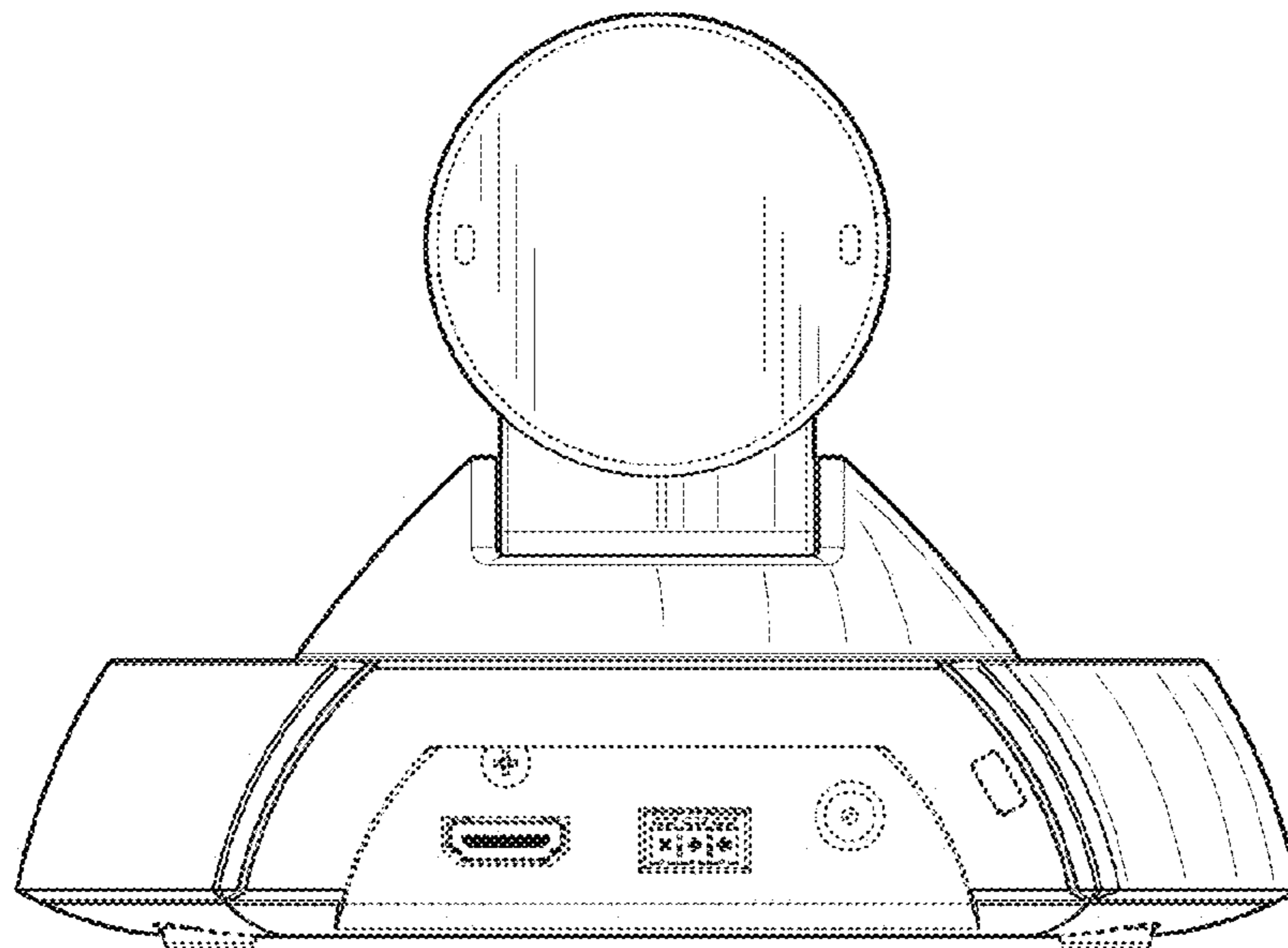


FIG. 3

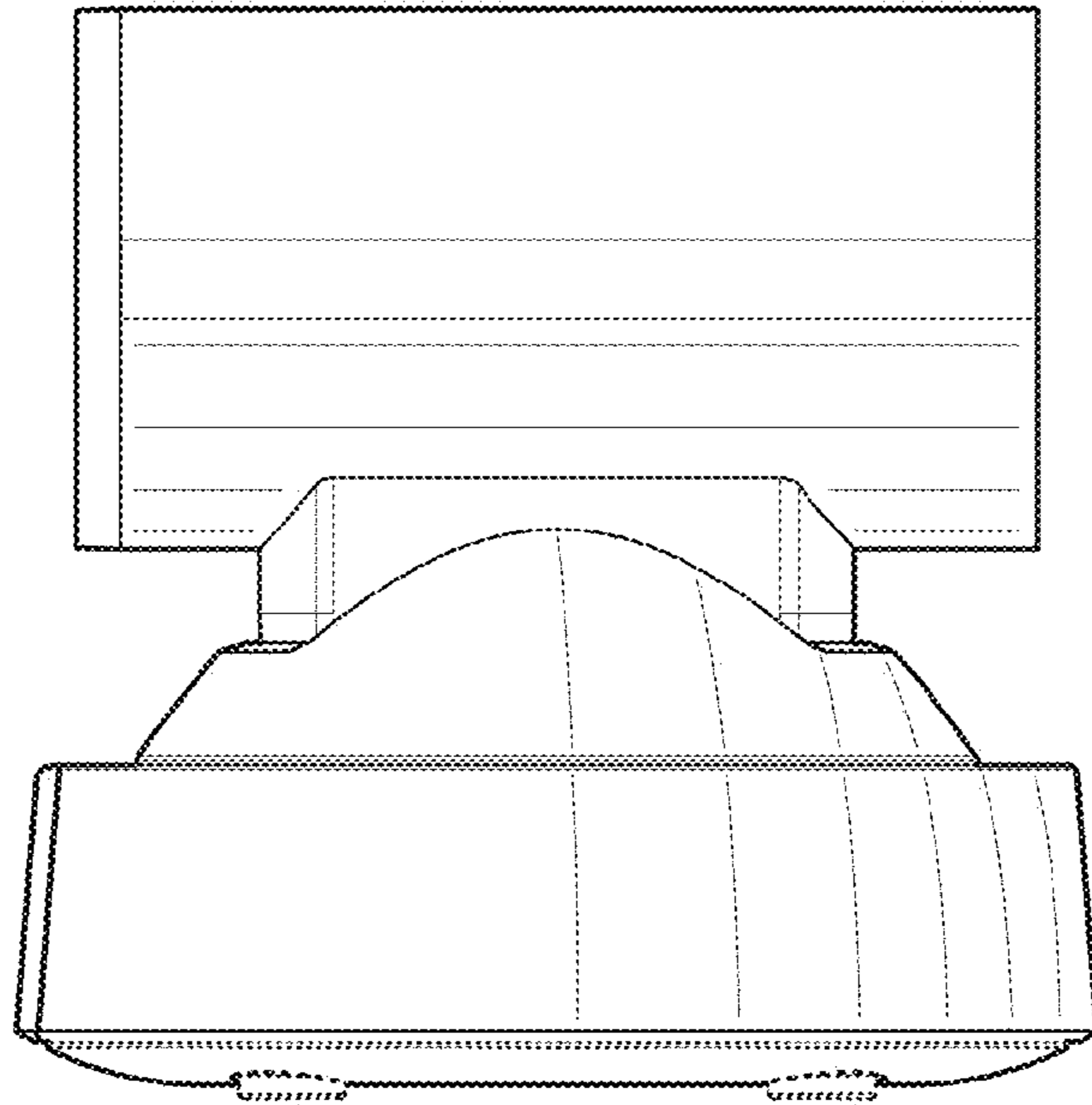


FIG. 4

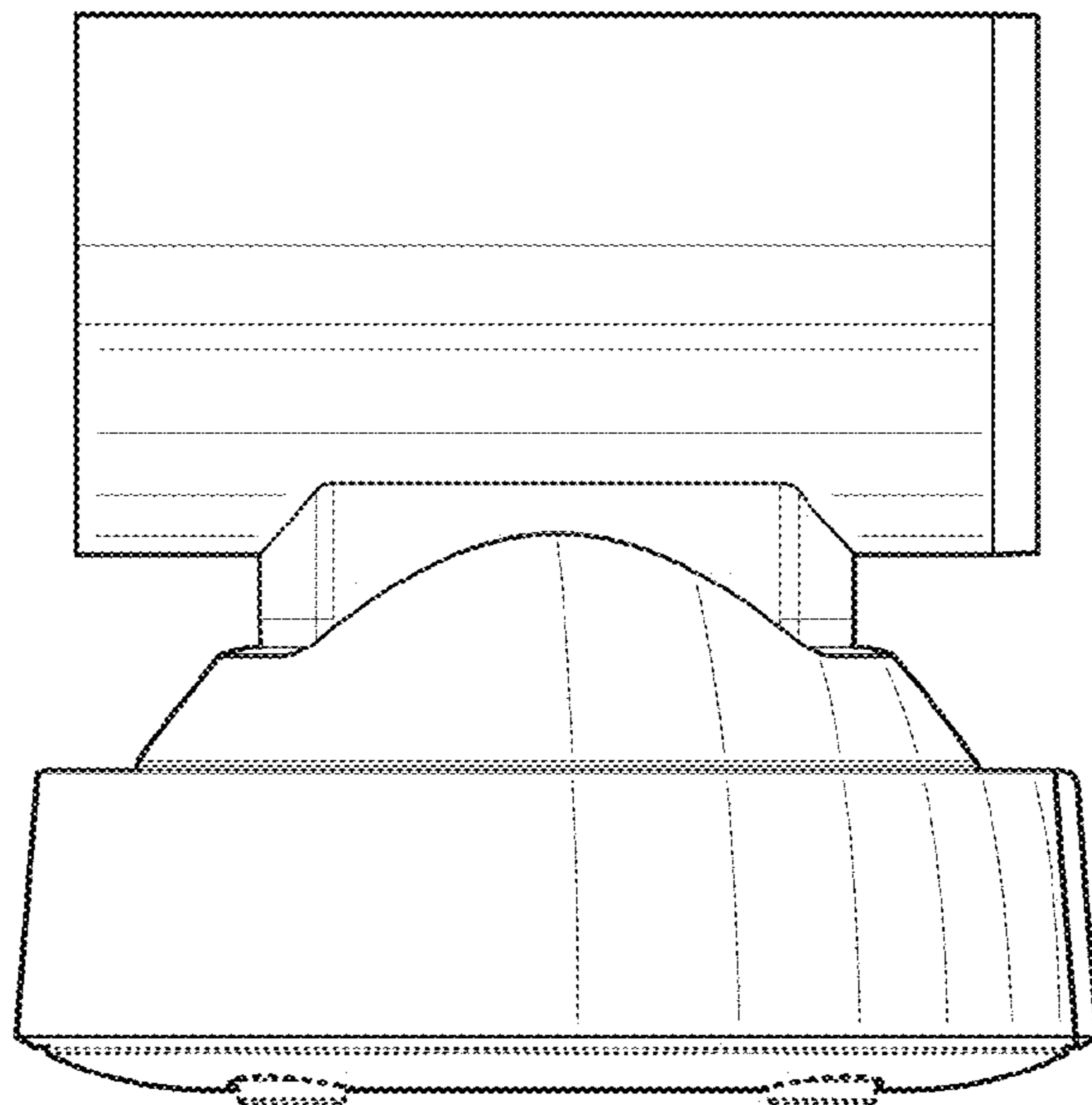


FIG. 5

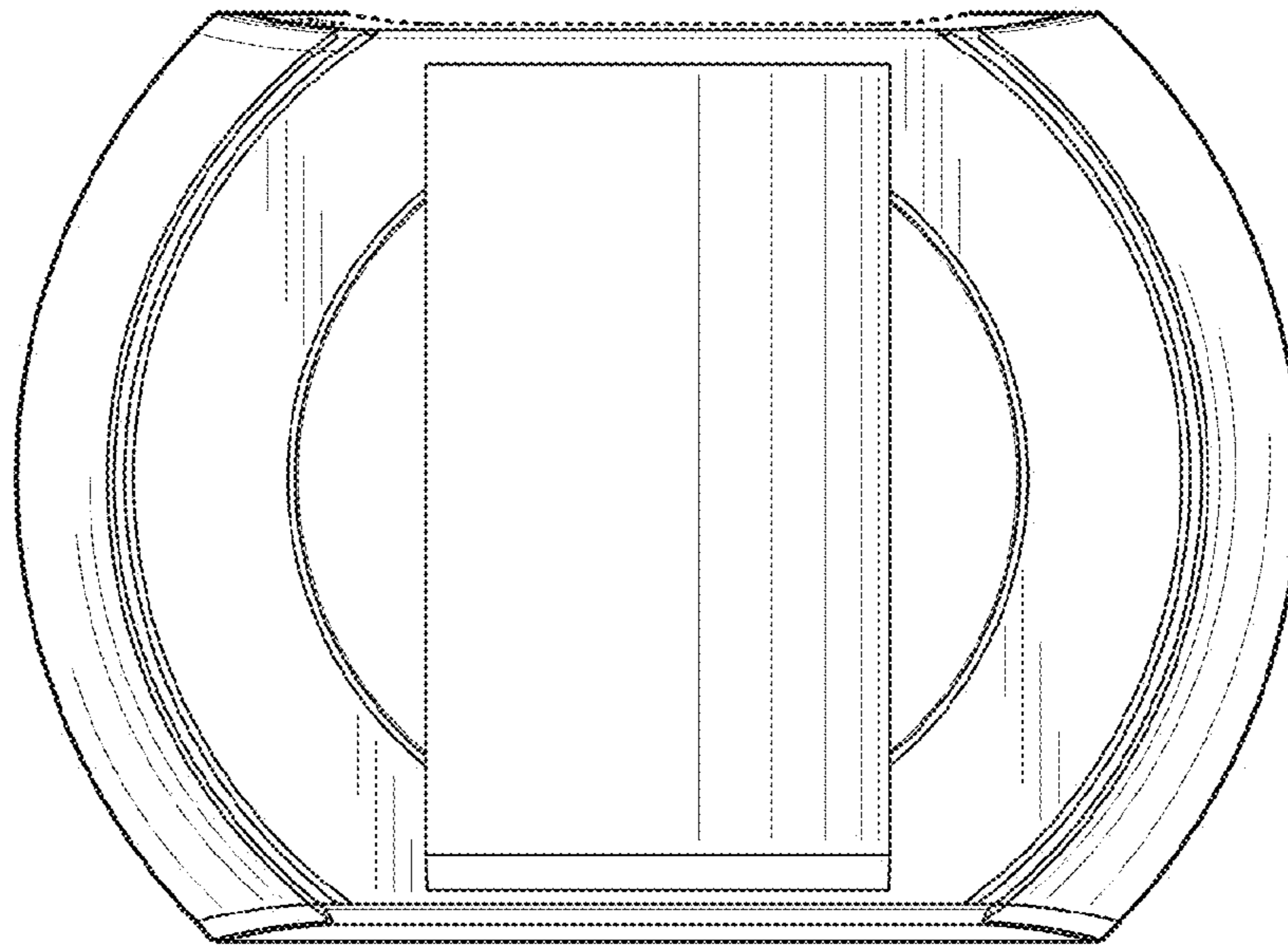


FIG. 6

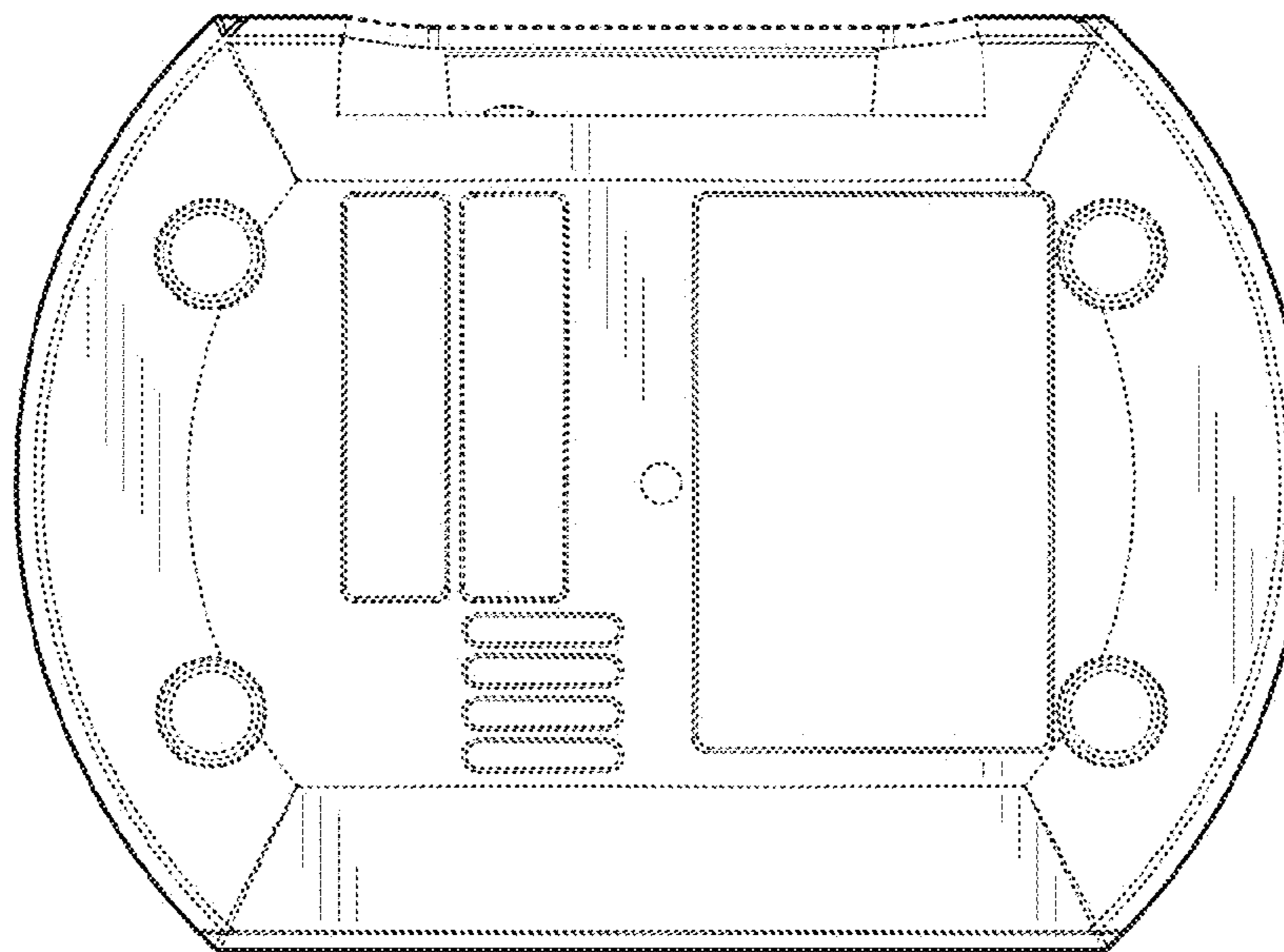


FIG. 7

UNITED STATES PATENT AND TRADEMARK OFFICE
CERTIFICATE OF CORRECTION

PATENT NO. : D709,542 S
APPLICATION NO. : 29/455705
DATED : July 22, 2014
INVENTOR(S) : Kevin Michael Bailey

Page 1 of 1

It is certified that error appears in the above-identified patent and that said Letters Patent is hereby corrected as shown below:

On the title page In the Description line 5:

FIG. 4, please delete “is a is a” and substitute -- is a --.

Signed and Sealed this
Fourteenth Day of October, 2014



Michelle K. Lee
Deputy Director of the United States Patent and Trademark Office