



US00D709541S

(12) **United States Design Patent**
Yu Chen

(10) **Patent No.:** **US D709,541 S**
(45) **Date of Patent:** **** Jul. 22, 2014**

(54) **ADJUST PLATE FOR PACKAGER**
(76) Inventor: **Hsiu-Man Yu Chen**, Taichung (TW)
(**) Term: **14 Years**
(21) Appl. No.: **29/415,713**
(22) Filed: **Mar. 13, 2012**
(51) **LOC (10) Cl.** **15-99**
(52) **U.S. Cl.**
USPC **D15/145**
(58) **Field of Classification Search**
CPC B23B 27/14; B23B 27/145; B23B 27/148;
B23G 5/04; B23P 11/00; B23P 15/28; C04B
35/5611; C04B 35/58; C22C 29/06; C22C
29/08; C23C 14/06; C23C 14/0641; C23C
30/005; E01C 19/00; E01C 19/42; E01C
19/48
USPC 51/307, 309; 52/283, 289, 702;
53/99-101, 106-108; 222/590, 591,
222/594, 597, 600; 226/236; 384/152, 412,
384/428, 537; 407/119; 428/697, 698, 699;
501/97, 105; D8/354; D14/238;
D15/135-138, 143-145, 199
See application file for complete search history.

(56) **References Cited**
U.S. PATENT DOCUMENTS
1,472,600 A * 10/1923 Lally 52/283
1,571,093 A * 1/1926 Lally 52/283
5,628,156 A * 5/1997 Tarics 52/236.3
5,709,807 A * 1/1998 Yoshihara 222/600

6,957,518 B1 * 10/2005 Koch, Jr. 52/849
D533,547 S * 12/2006 Sergi D14/238
8,607,515 B2 * 12/2013 Jarvis 52/253
2010/0037547 A1 * 2/2010 Taraba et al. 52/289
2011/0031284 A1 * 2/2011 Nguyen 222/591

OTHER PUBLICATIONS

Reducing Height Splice. Datasheet [online]. Legrand, 2009 [retrieved on Apr. 10, 2014]. Retrieved from the Internet: <URL: <http://www.pwindustries.com/products/metladdertray/reducingheightspl>>.*

* cited by examiner

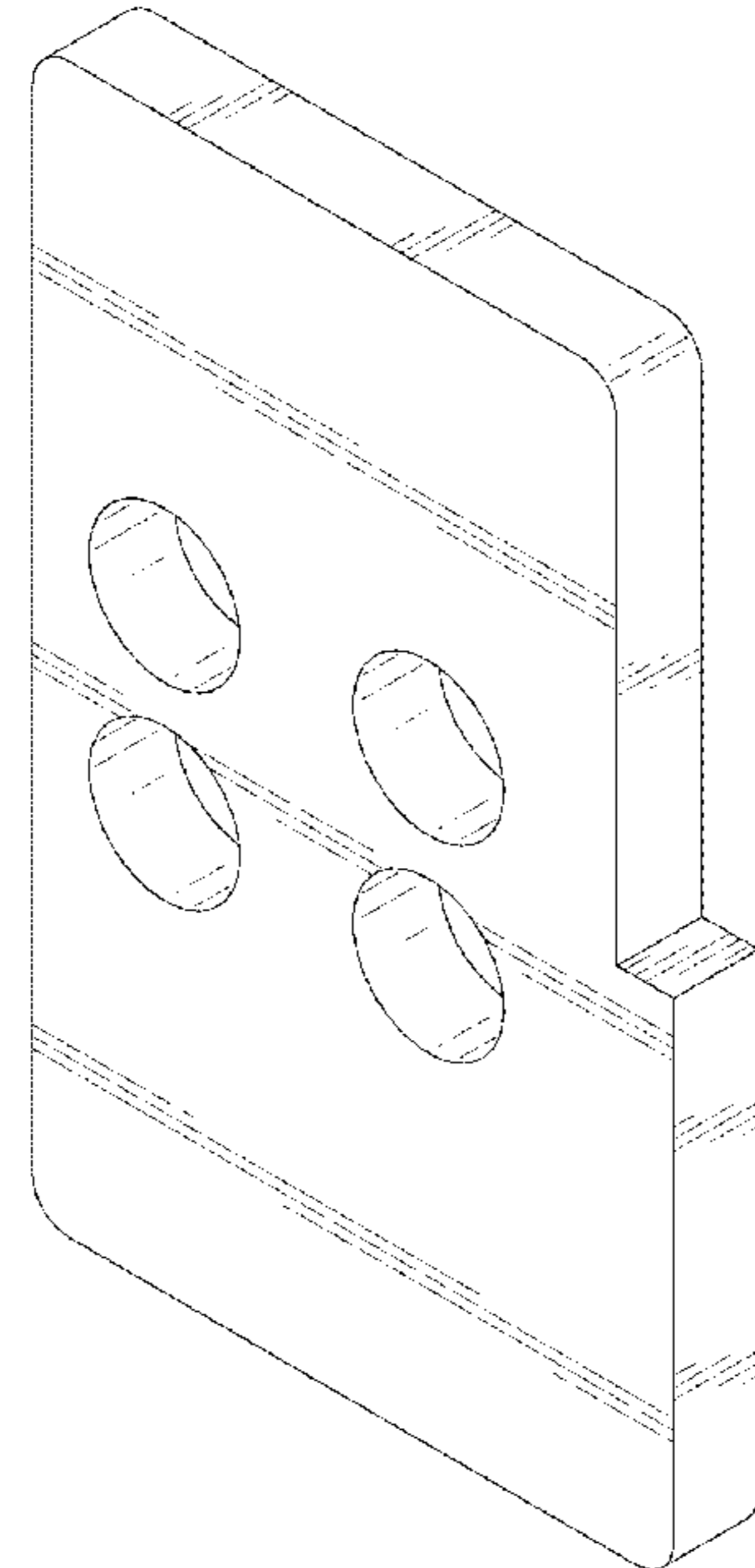
Primary Examiner — Richard E Chilcot
Assistant Examiner — John Eberhart
(74) *Attorney, Agent, or Firm* — Ming Chow; Sinorica, LLC

(57) **CLAIM**
I claim the ornamental design for a adjust plate for packager, as shown and described.

DESCRIPTION

FIG. 1 is a front perspective view of a adjust plate for packager showing my new design;
FIG. 2 is a front elevational view thereof;
FIG. 3 is a rear elevational view thereof;
FIG. 4 is a left side elevational view thereof;
FIG. 5 is a right side elevational view thereof;
FIG. 6 is a top plan view thereof;
FIG. 7 is a bottom plan view thereof; and,
FIG. 8 is a front end view of the adjust plate for packager in accordance with my design, shown in its environment thereof.
The broken lines are for the purpose of illustrating environmental structure and form no part of the claimed design.

1 Claim, 6 Drawing Sheets



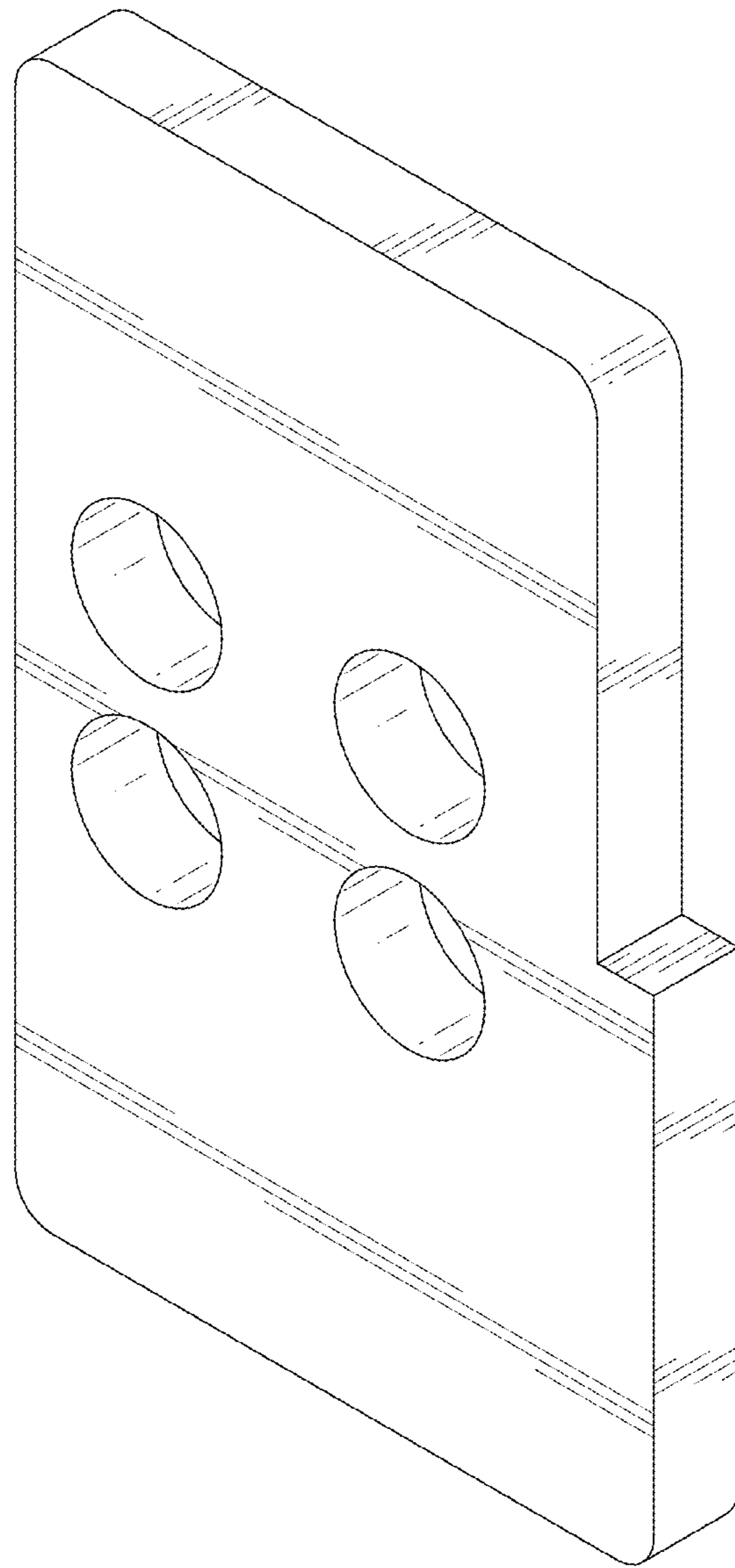


FIG. 1

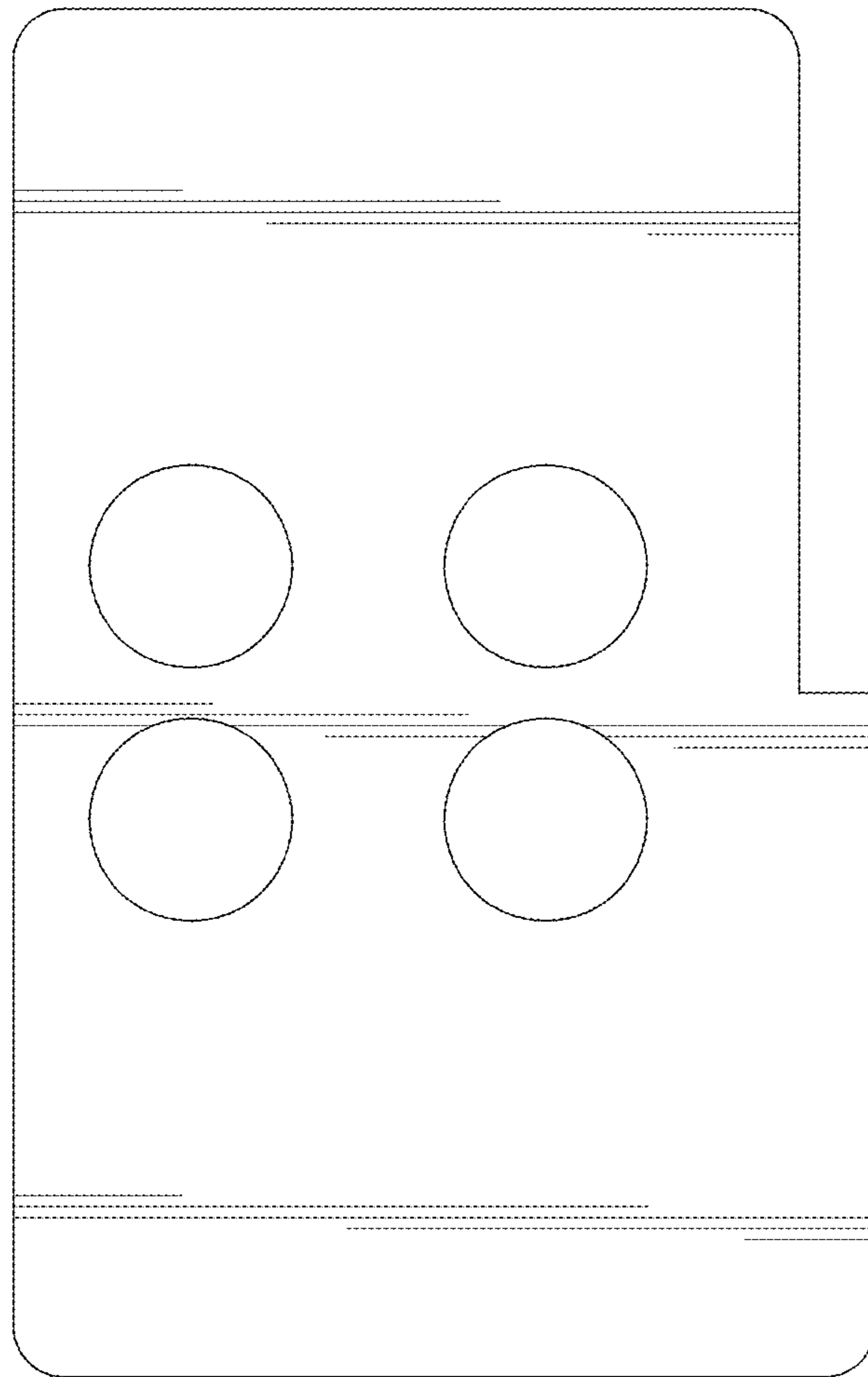


FIG. 2

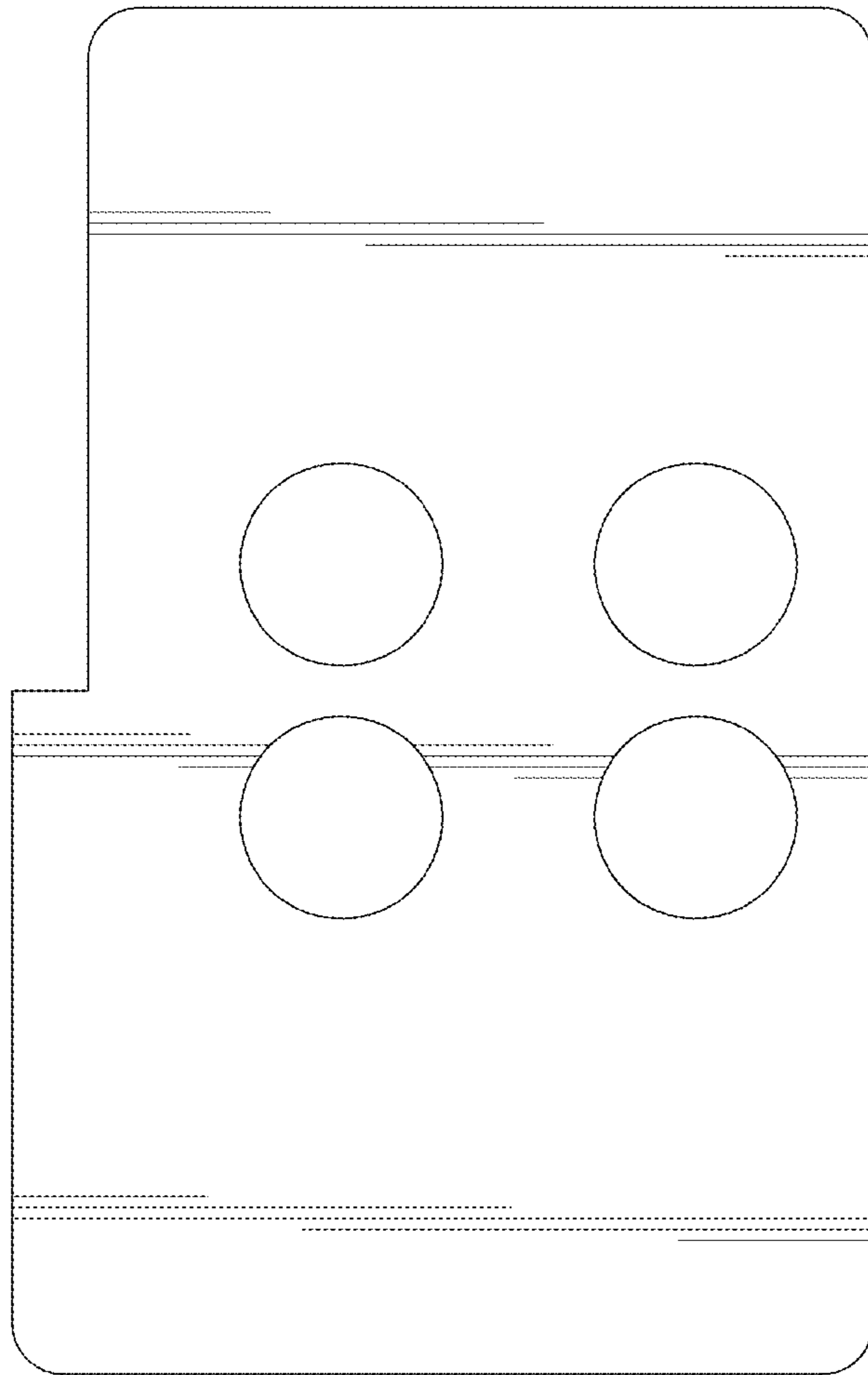


FIG. 3

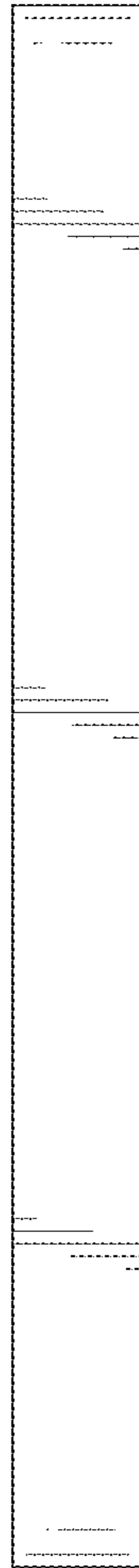


FIG. 4

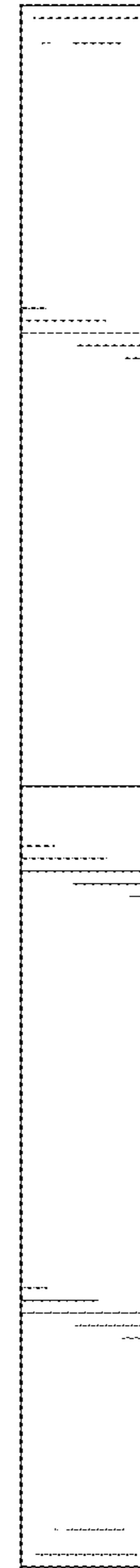


FIG. 5



FIG. 6

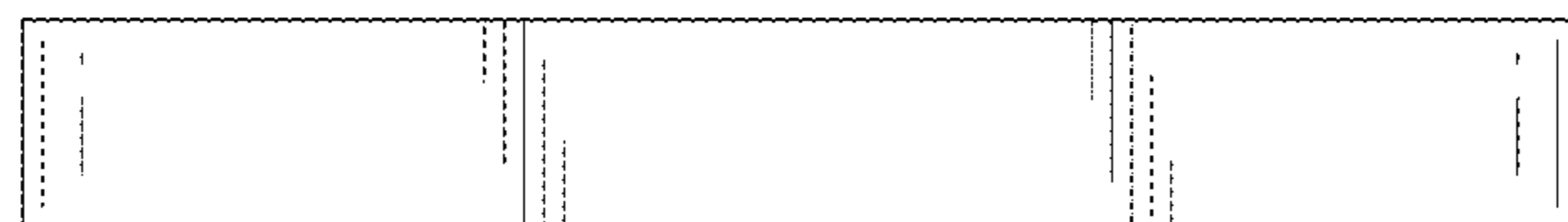


FIG. 7

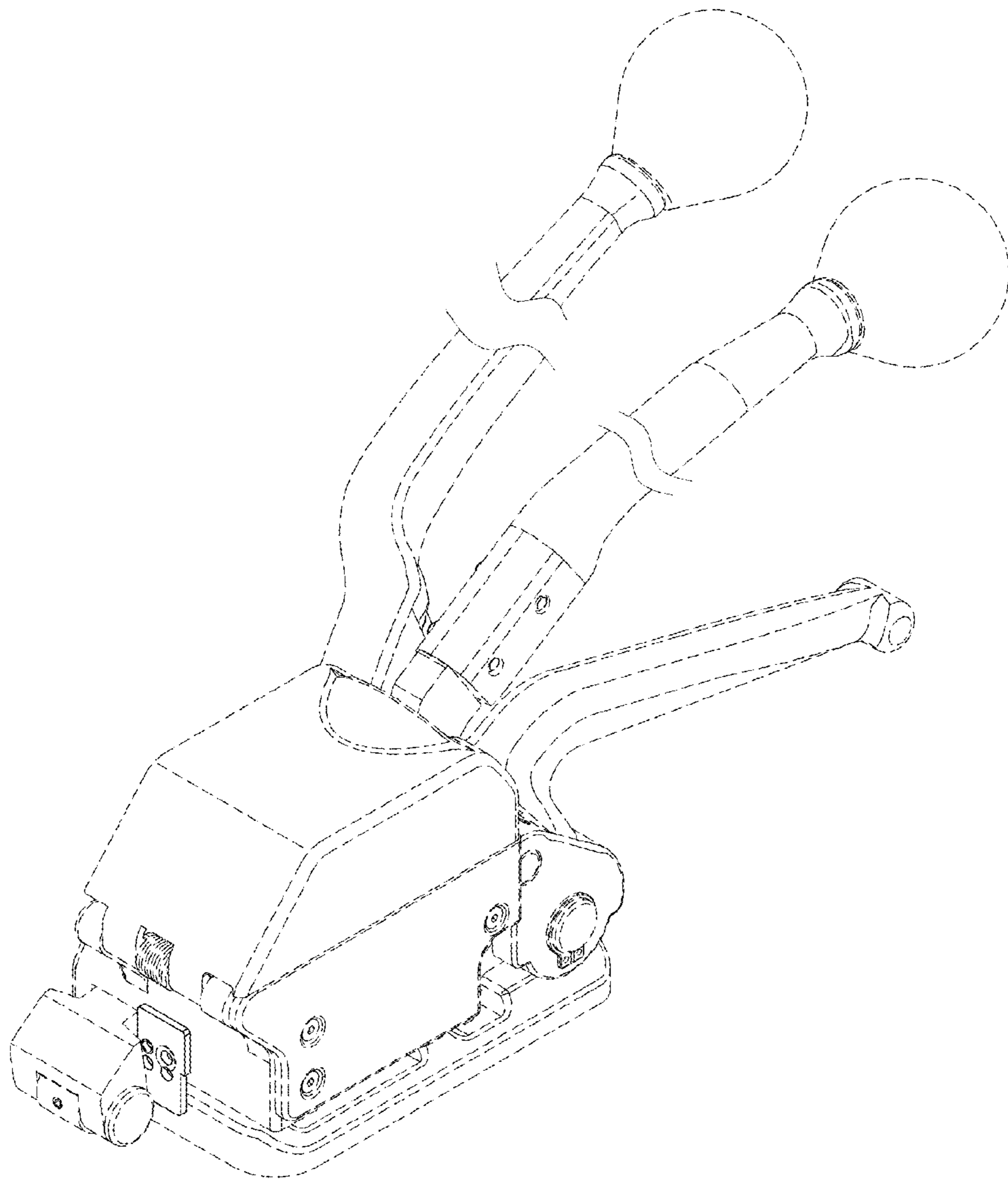


FIG. 8