



US00D709540S

(12) **United States Design Patent**  
**Jung**

(10) **Patent No.:** **US D709,540 S**  
(45) **Date of Patent:** **\*\* Jul. 22, 2014**

- (54) **CUTTING INSERT**
- (71) Applicant: **TaeguTec Ltd.**, Daegu (KR)
- (72) Inventor: **Kang Sool Jung**, Daegu (KR)
- (73) Assignee: **TaeguTec Ltd.**, Daegu (KR)
- (\*\*) Term: **14 Years**

2008/0044241	A1 *	2/2008	Koskinen	.....	407/103
2010/0034602	A1 *	2/2010	Sung et al.	.....	407/113
2012/0114435	A1 *	5/2012	Park	.....	407/104
2013/0028670	A1 *	1/2013	Luik	.....	407/66
2013/0183108	A1 *	7/2013	Zettler	.....	407/42
2013/0202371	A1 *	8/2013	Chen	.....	407/107

\* cited by examiner

(21) Appl. No.: **29/476,145**

*Primary Examiner* — Patricia Palasik  
(74) *Attorney, Agent, or Firm* — Hamre, Schumann, Mueller & Larson, P.C.

(22) Filed: **Dec. 11, 2013**

(51) **LOC (10) Cl.** ..... **15-09**

(52) **U.S. Cl.**  
USPC ..... **D15/139**

(58) **Field of Classification Search**  
USPC ..... D8/70, 71; D15/138, 139, 140; 407/42, 407/112-119  
See application file for complete search history.

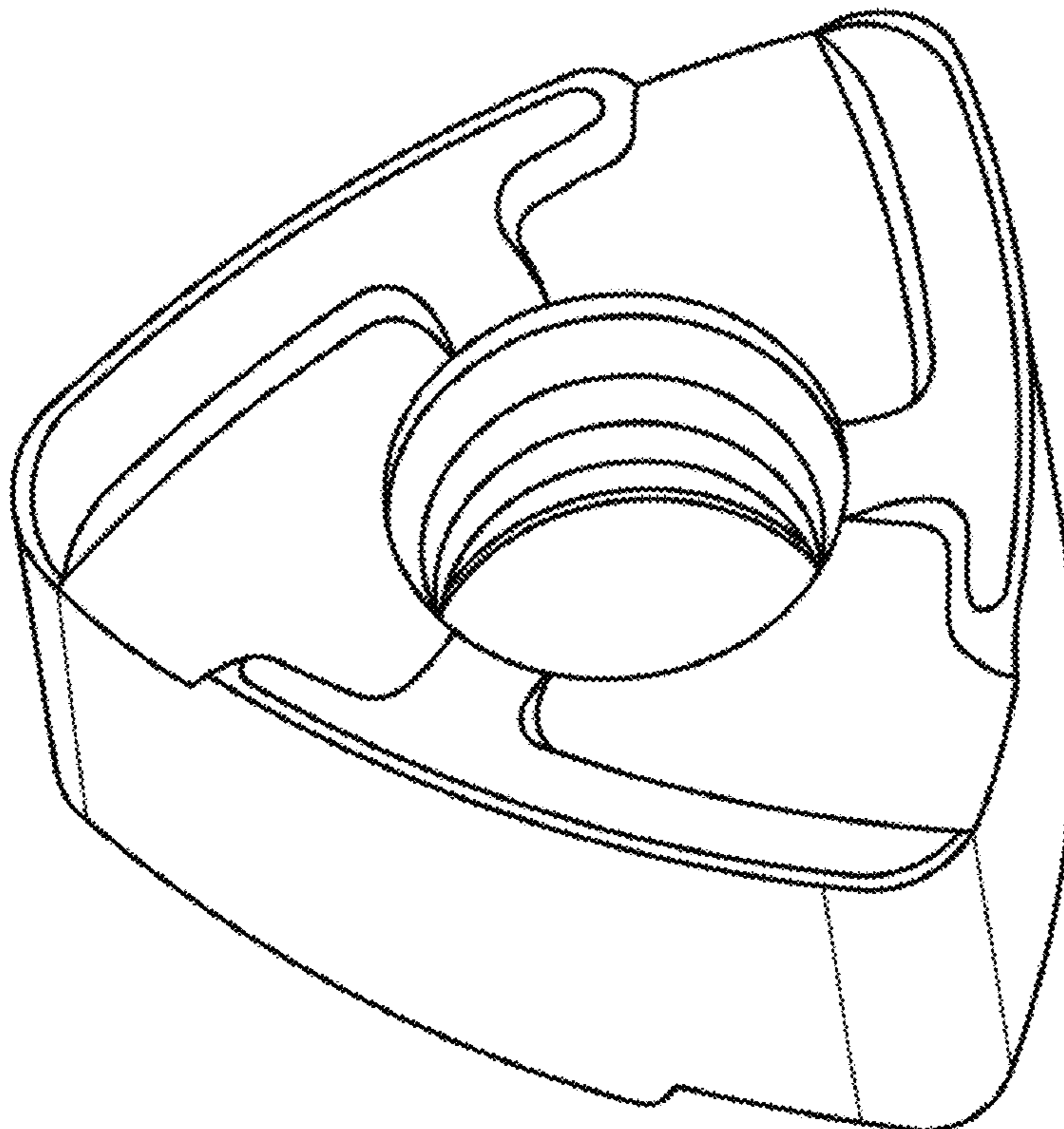
(57) **CLAIM**  
The ornamental design for a cutting insert, as shown and described.

- (56) **References Cited**  
U.S. PATENT DOCUMENTS  
4,776,732 A \* 10/1988 Hale ..... 407/114  
5,226,761 A \* 7/1993 Satran et al. .... 407/114  
6,224,300 B1 \* 5/2001 Baxivanelis et al. .... 407/114  
D481,048 S \* 10/2003 Brockett et al. .... D15/139  
2007/0071559 A1 \* 3/2007 Koskinen ..... 407/34

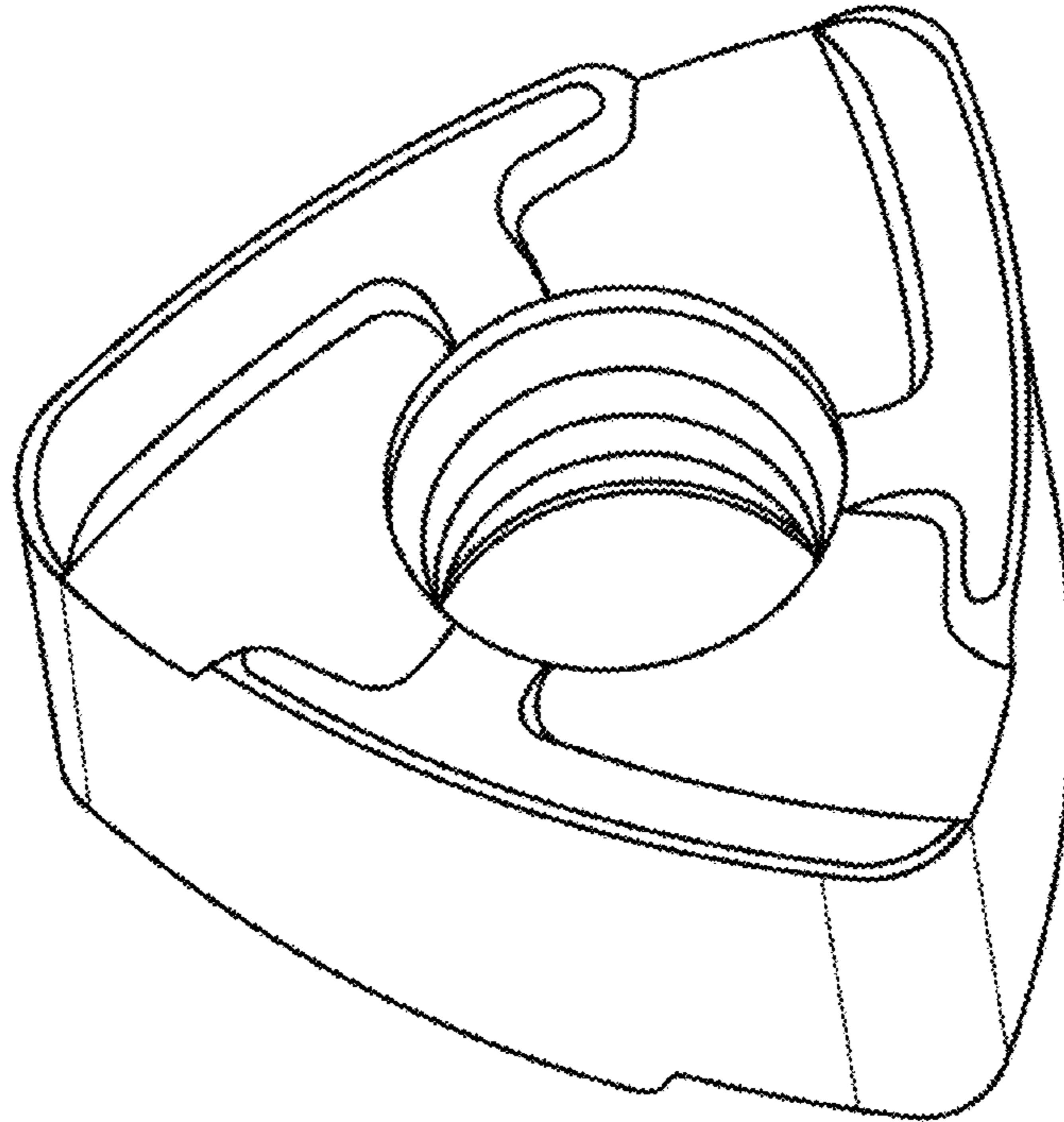
**DESCRIPTION**

FIG. 1 is a perspective view of a cutting insert showing my new design;  
FIG. 2 is a front elevational view thereof;  
FIG. 3 is a rear elevational view thereof;  
FIG. 4 is a left side view thereof;  
FIG. 5 is a right side view thereof;  
FIG. 6 is a top plan view thereof;  
FIG. 7 is a bottom plan view thereof; and,  
FIG. 8 is a cross-sectional view taken along line 8-8 of FIG. 2.

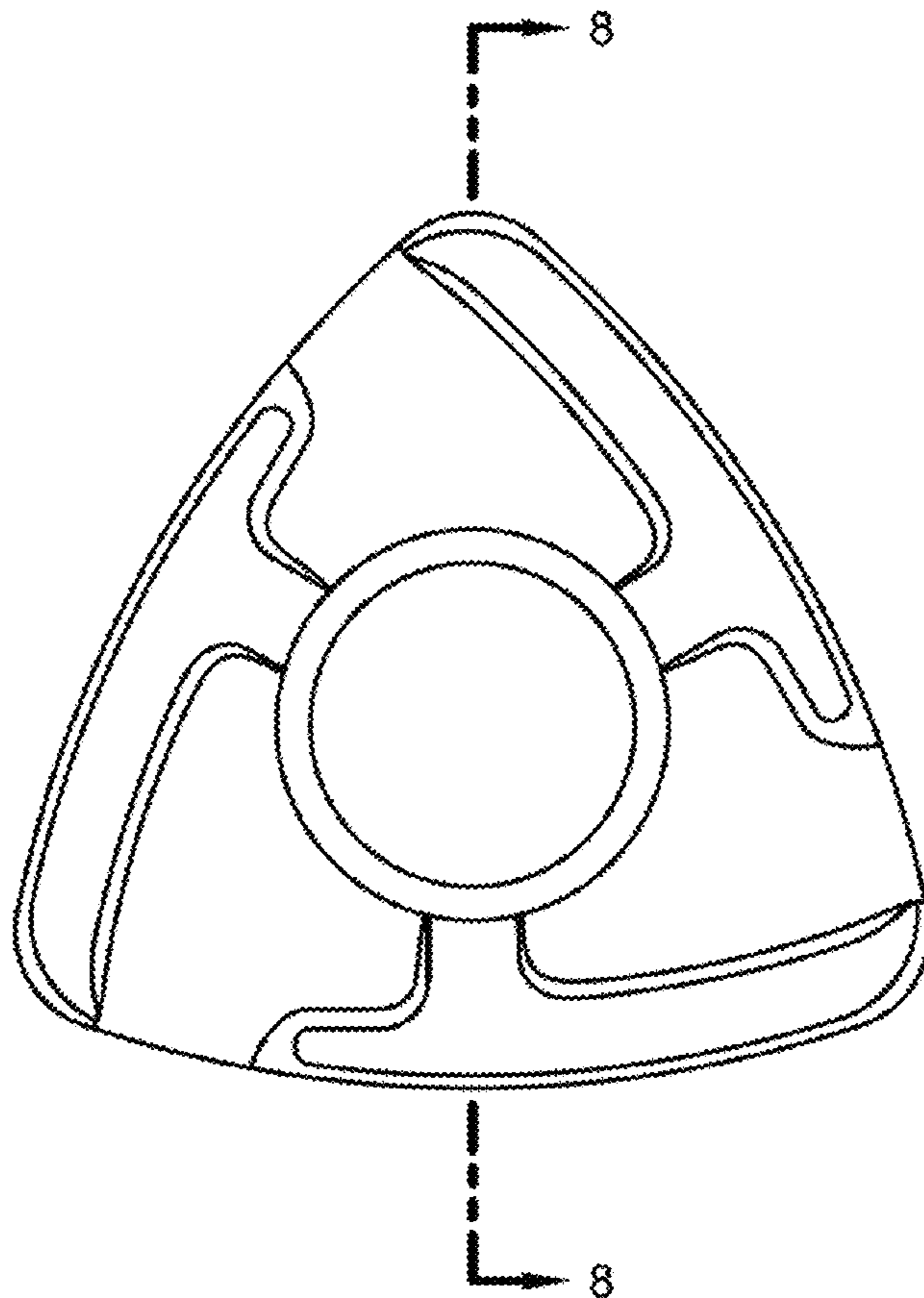
**1 Claim, 4 Drawing Sheets**



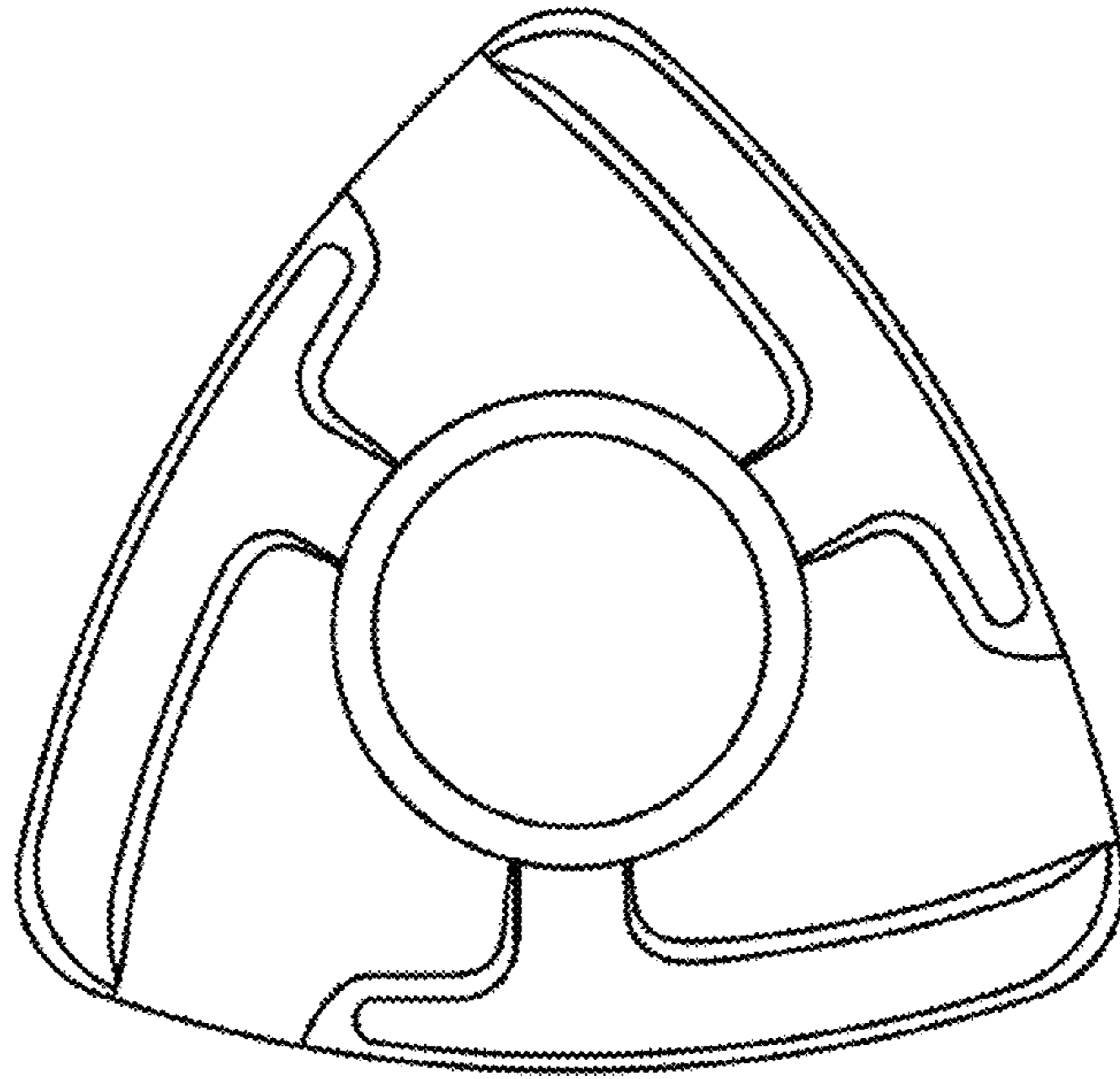
*Fig. 1*



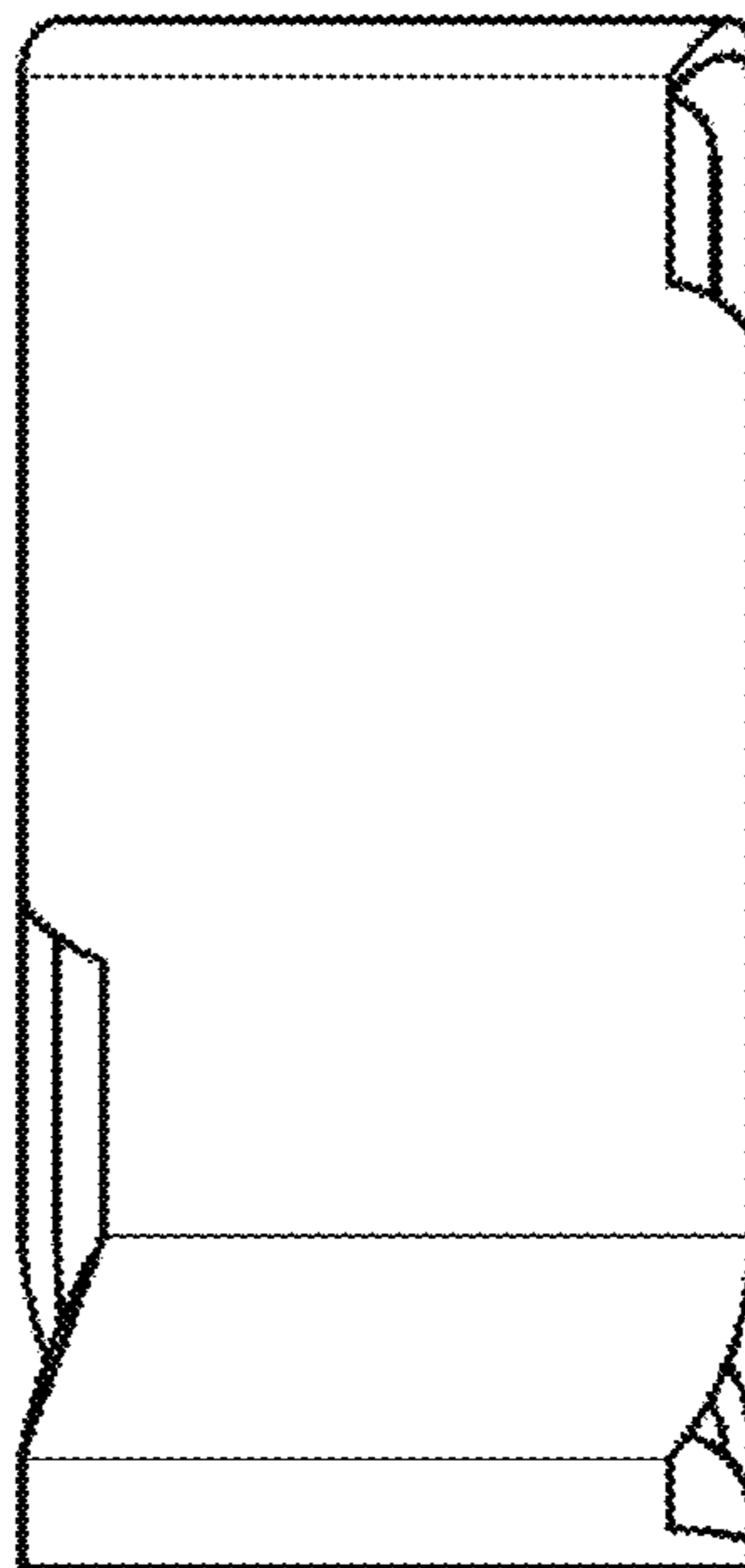
*Fig. 2*



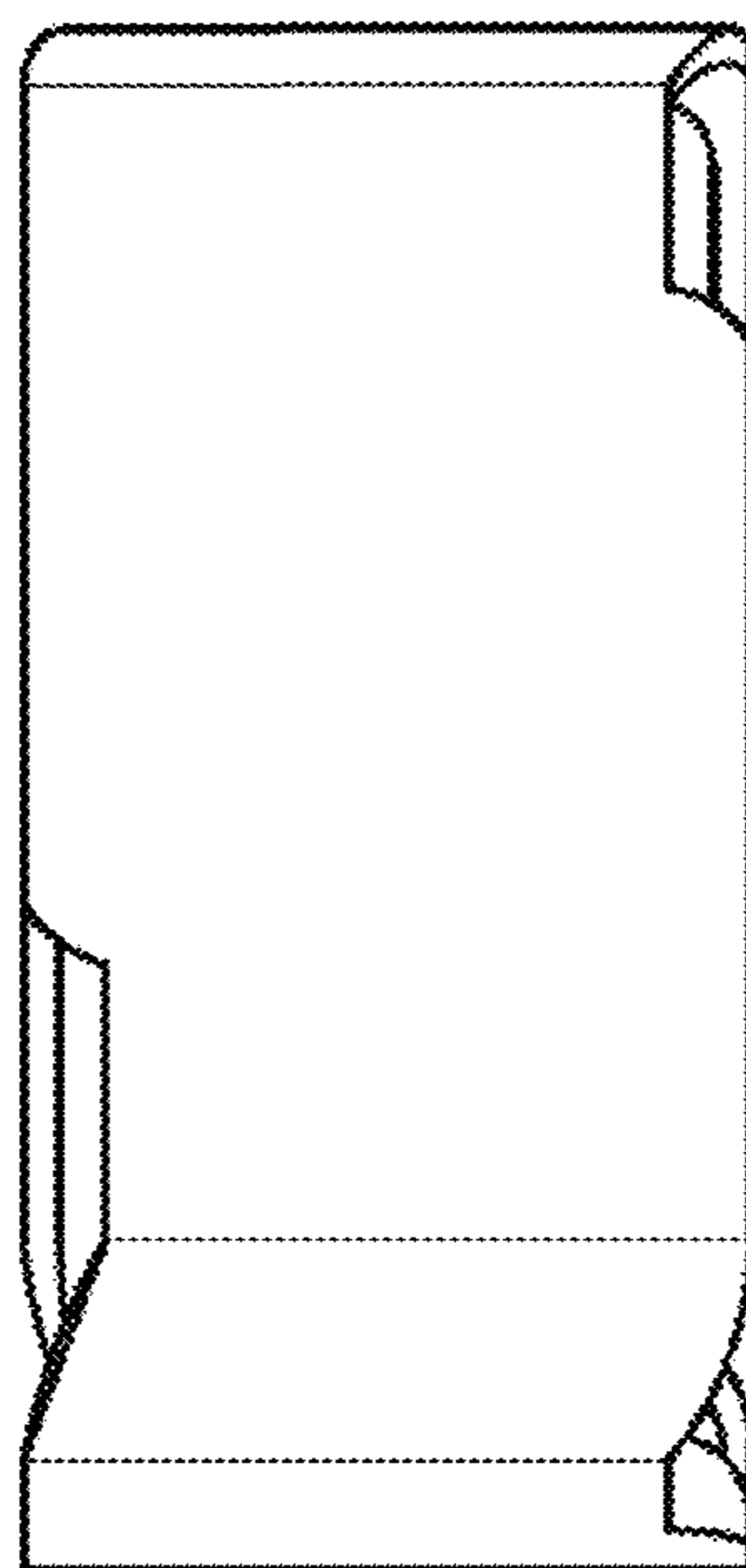
*Fig. 3*



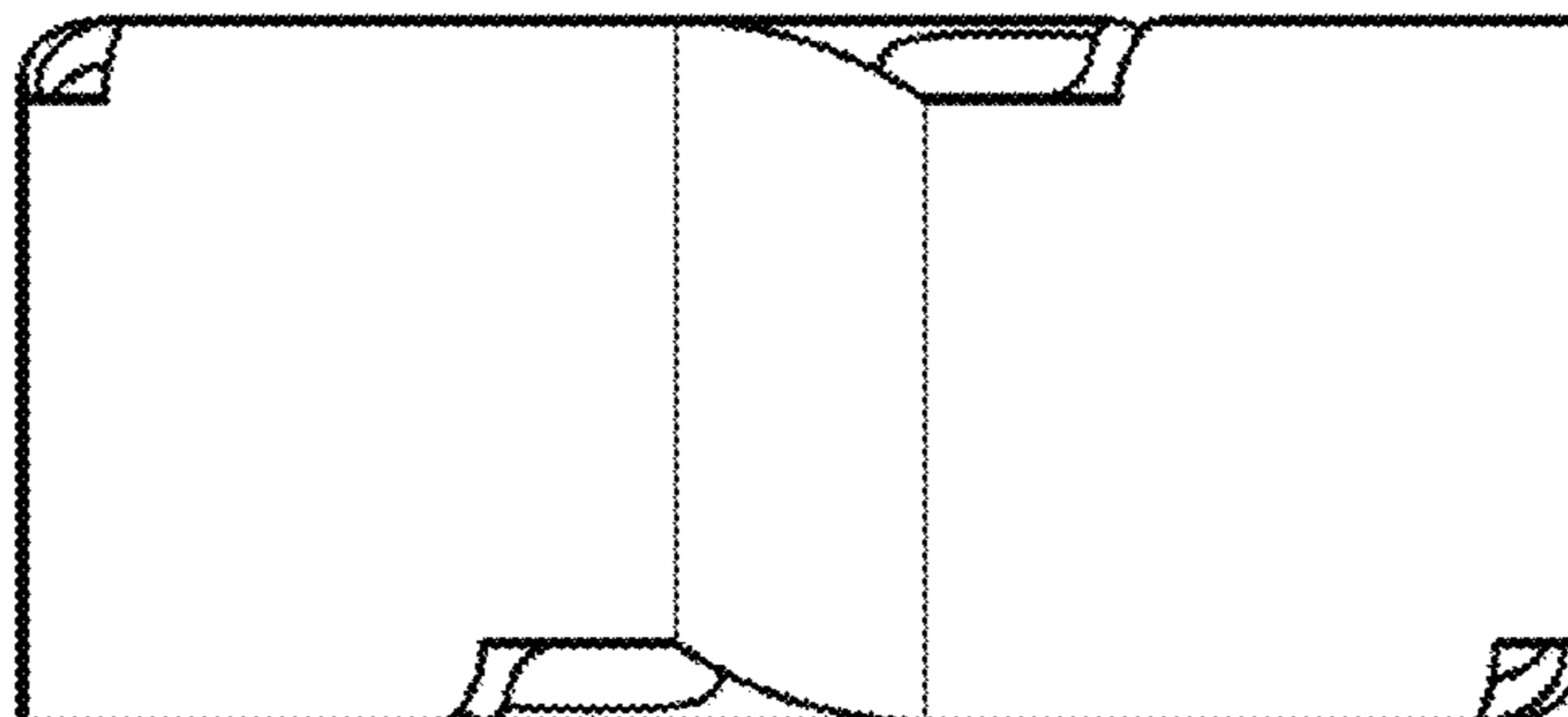
*Fig. 4*



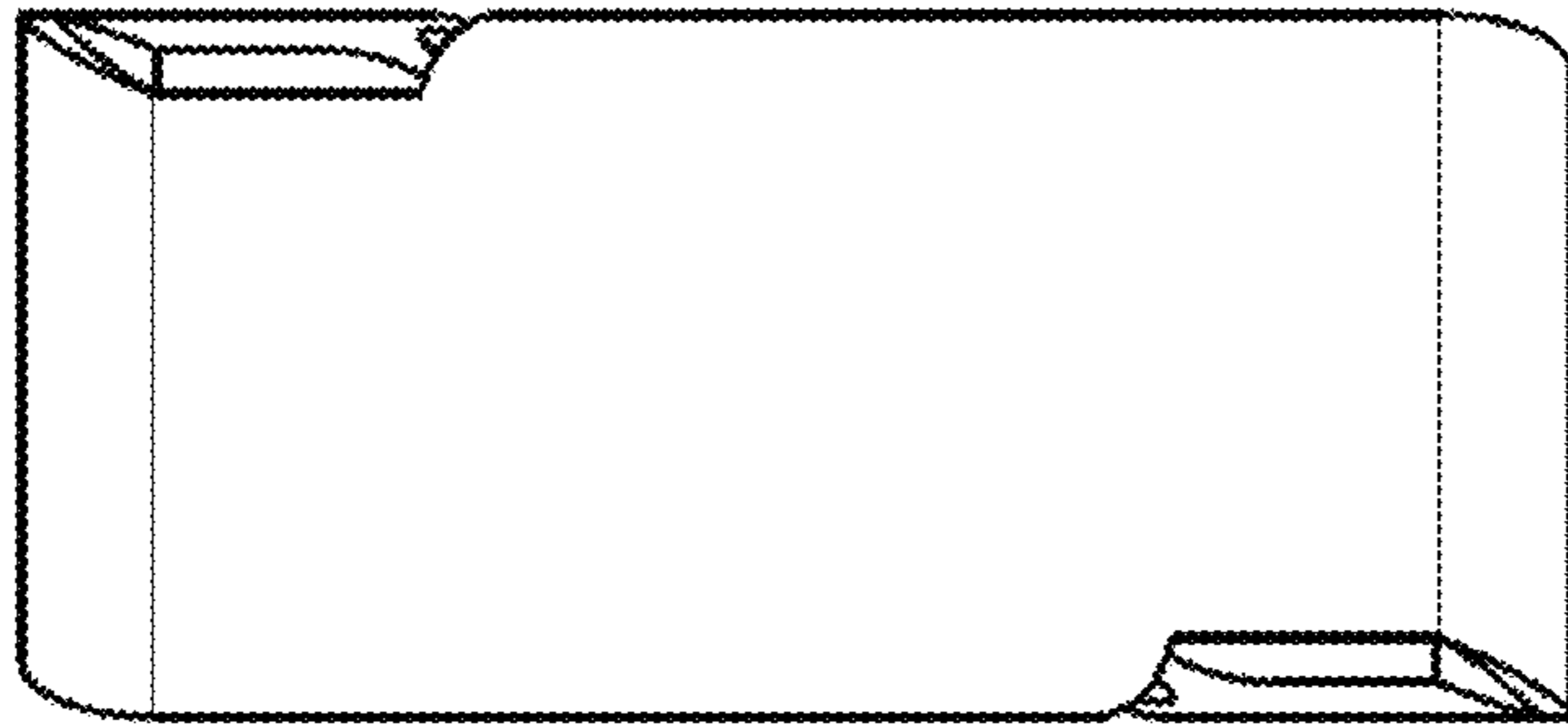
*Fig. 5*



*Fig. 6*



*Fig. 7*



*Fig. 8*

