

US00D709535S

(12) **United States Design Patent**
Johnsson

(10) **Patent No.:** **US D709,535 S**
(45) **Date of Patent:** **** Jul. 22, 2014**

(54) **TUBEFORMER**

D413,906 S * 9/1999 Tremblay D15/122
D547,336 S * 7/2007 Kai et al. D15/122
D567,271 S * 4/2008 Vine D15/145

(71) Applicant: **Spiro Interantional S.A.**, Bosingen
(CH)

(72) Inventor: **Christer Johnsson**, Dudingen (CH)

(73) Assignee: **Spiro International S.A.**, Bosingen
(CH)

(**) Term: **14 Years**

(21) Appl. No.: **29/457,207**

(22) Filed: **Jun. 7, 2013**

(30) **Foreign Application Priority Data**

Dec. 14, 2012 (EM) 2153601-0001
Dec. 14, 2012 (EM) 2153601-0002

(51) **LOC (10) Cl.** **15-09**

(52) **U.S. Cl.**
USPC **D15/122**

(58) **Field of Classification Search**
CPC B29C 65/00; B29C 66/1122; B29C 66/43;
B29C 65/18; B29C 66/849; B29C 47/0023;
B65B 9/213; B65B 9/22; B65B 2220/10;
B31B 7/00; B31B 2201/262; B31B 2217/0038
USPC D15/122, 145
See application file for complete search history.

(56) **References Cited**

U.S. PATENT DOCUMENTS

2,587,211 A * 2/1952 Piazza 156/203
2,737,862 A * 3/1956 Thull 493/112
3,948,150 A * 4/1976 Hobart 493/468
4,532,754 A * 8/1985 Hokanson 53/451
5,377,474 A * 1/1995 Kovacs et al. 53/64
D382,282 S * 8/1997 Micouleau D15/122
5,799,467 A * 9/1998 Nankervis et al. 53/450

OTHER PUBLICATIONS

ISM Machinery, Inc., "D-Max 1.2E, Introducing the New D-Max 1.2E", Grayslake, IL, at least as early as Dec. 14, 2012.
Sente, "Heavy Duty Tube Former", at least as early as Dec. 14, 2012.
Wammes Machinery GmbH, "Tubeformer TF 1600 Ultra", Germany, at least as early as Dec. 14, 2012.
Spiro, "Tubeformer Alpha", at least as early as Dec. 14, 2012.
Jiangyin Sanben Technology Co., Ltd., Spiral Tubeformer SBTF-1500D, China, at least as early as Dec. 14, 2012.
Zhangjiagang Hong Jun Science and Technology co., Ltd., "Spiral Tube Former Machine HJ1602A", China, at least as early as Dec. 14, 2012.
Photo of tuberformer titled Wammes_Formkassette, at least as early as Dec. 14, 2012.
Photos of tuberformer titled Formkassette_TF-Alpha, at least as early as Dec. 14, 2012.

* cited by examiner

Primary Examiner — Patricia Palasik

(74) *Attorney, Agent, or Firm* — Renner, Otto, Boisselle & Sklar, LLP

(57) **CLAIM**

The ornamental design for a tubeformer, as shown and described.

DESCRIPTION

FIG. 1 is a perspective view of a tubeformer showing my new design.

FIG. 2 is another perspective view thereof.

FIG. 3 is another perspective view thereof.

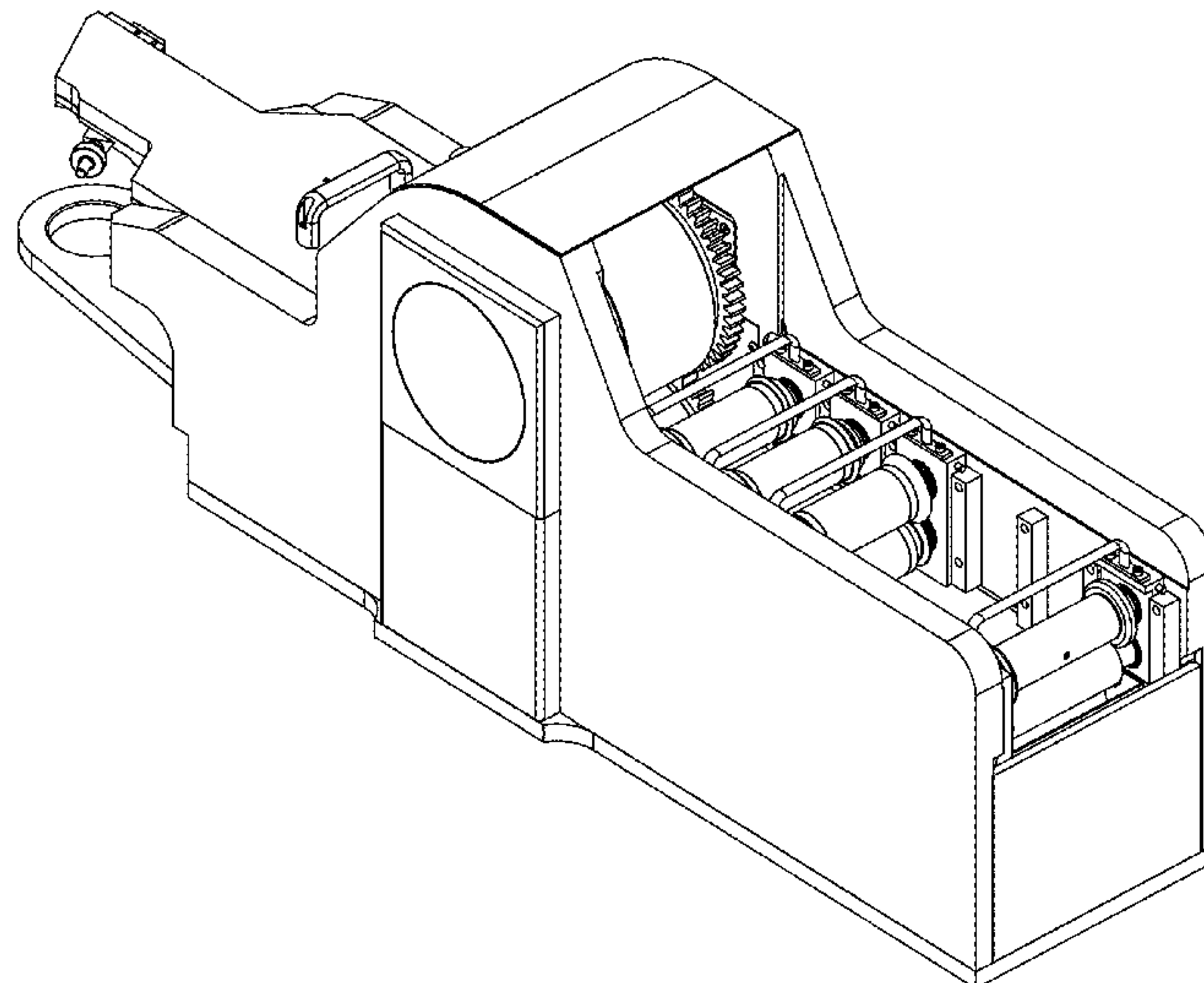
FIG. 4 is a top view thereof.

FIG. 5 is a front view thereof.

FIG. 6 is a rear view thereof; and,

FIG. 7 is a right side view thereof.

1 Claim, 7 Drawing Sheets



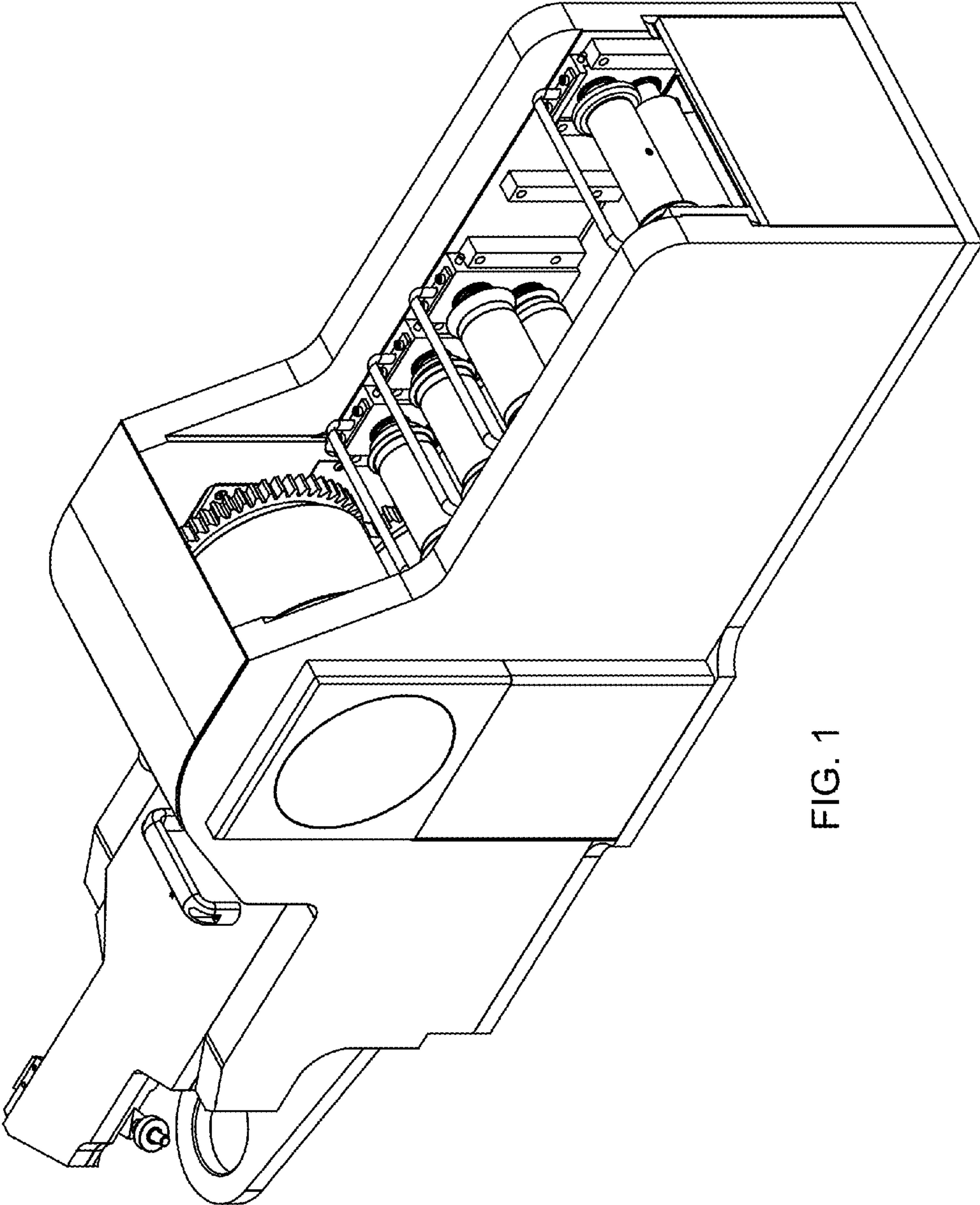


FIG. 1

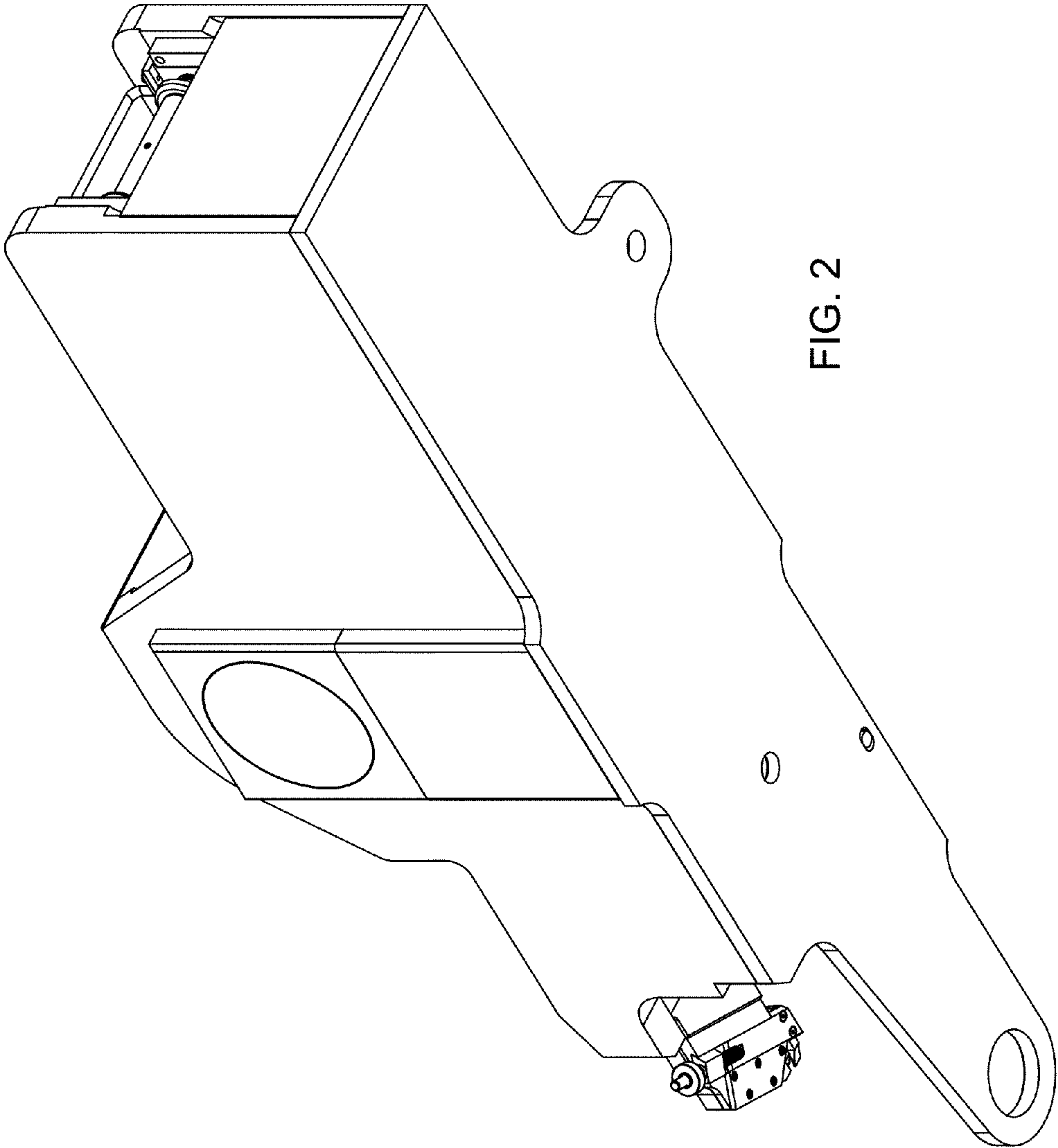


FIG. 2

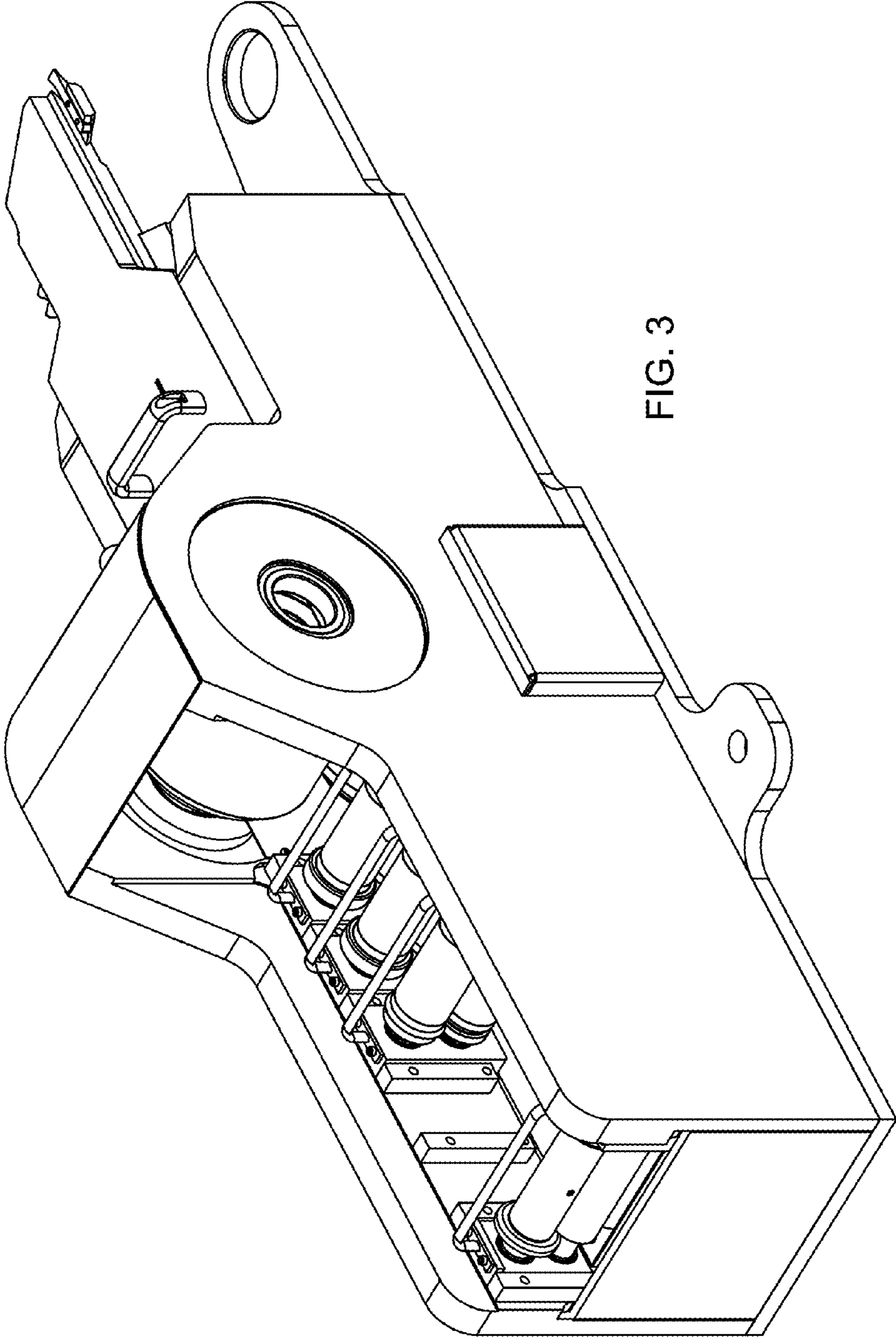


FIG. 3

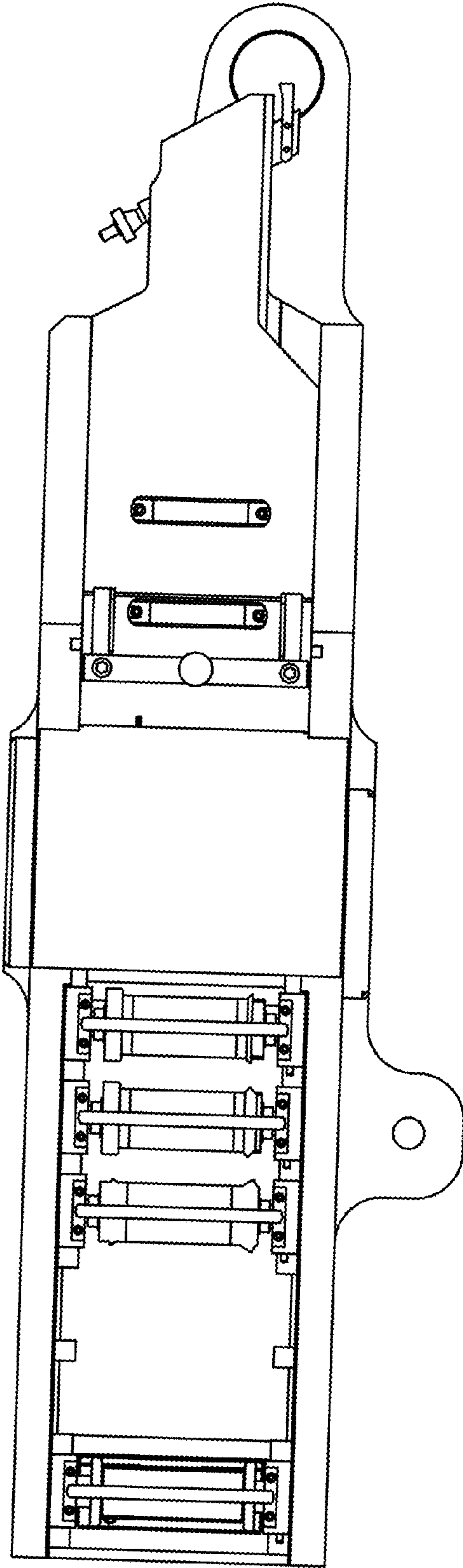


FIG. 4

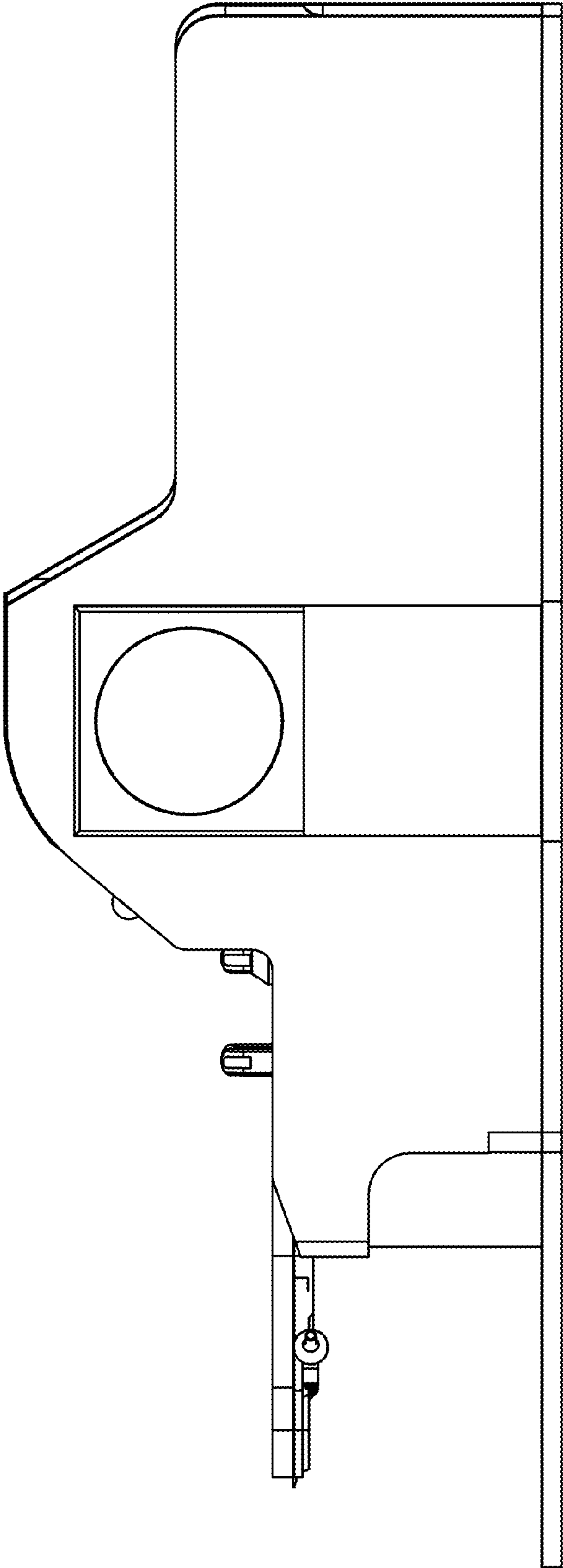


FIG. 5

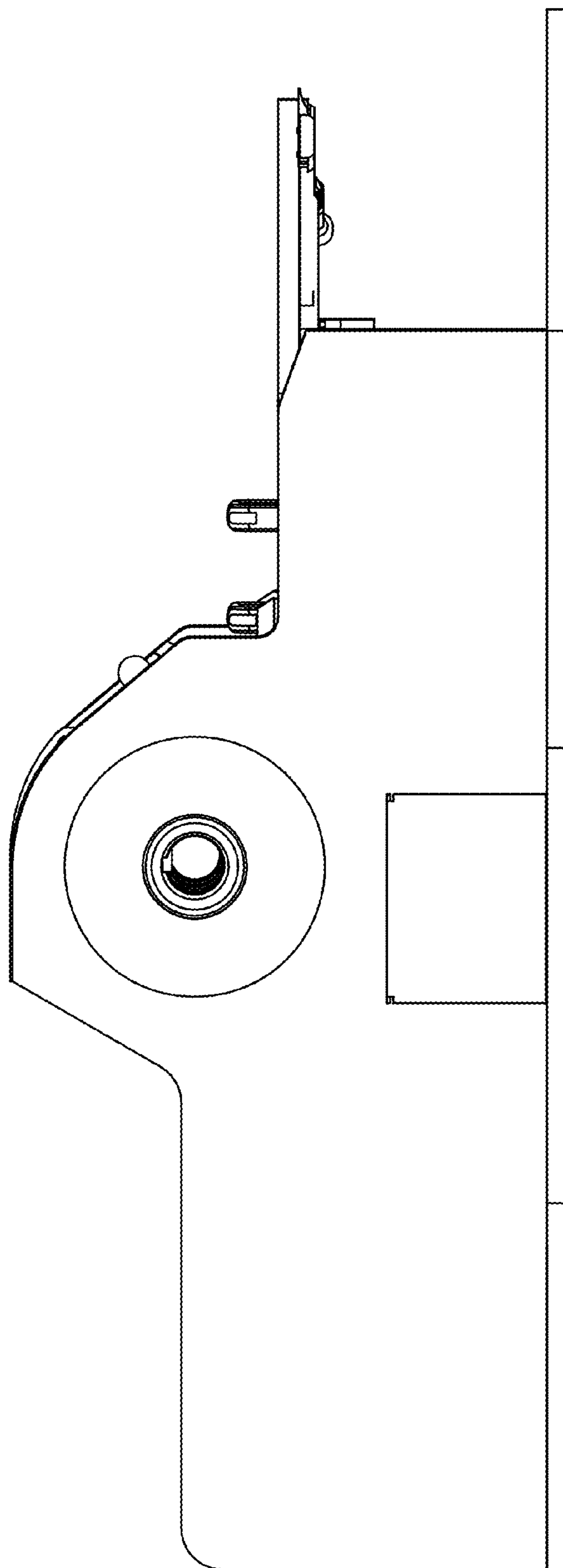


FIG. 6

FIG. 7

