



US00D709533S

(12) **United States Design Patent**
Park et al.

(10) **Patent No.:** **US D709,533 S**

(45) **Date of Patent:** **** Jul. 22, 2014**

(54) **SHELF SUPPORT OF DOOR FOR REFRIGERATOR**

(71) Applicant: **Samsung Electronics Co., Ltd.**,
Suwon-si (KR)
(72) Inventors: **Young-Min Park**, Seongnam-si (KR);
Min-Hyoug Boo, Seoul (KR);
Hyun-Soo Kim, Seongnam-si (KR);
Kyung-Tae Kim, Suwon-si (KR);
Jong-Hyub Lee, Seoul (KR)

(73) Assignee: **Samsung Electronics Co., Ltd.** (KR)

(**) Term: **14 Years**

(21) Appl. No.: **29/459,214**

(22) Filed: **Jun. 27, 2013**

(30) **Foreign Application Priority Data**

Jan. 2, 2013 (KR) 30-2013-0000137

(51) **LOC (10) Cl.** **15-07**

(52) **U.S. Cl.**
USPC **D15/89**

(58) **Field of Classification Search**
USPC D15/79-89; 312/404-408, 313-316;
108/155; 211/134; D6/511, 574
See application file for complete search history.

(56) **References Cited**

U.S. PATENT DOCUMENTS

3,984,163	A *	10/1976	Boorman et al.	312/408
4,923,260	A *	5/1990	Poulsen	312/408
5,454,638	A *	10/1995	Bird et al.	312/408
6,582,038	B2 *	6/2003	Moreno-Olguin et al.	312/405.1
7,748,805	B2 *	7/2010	Lucas et al.	312/405.1
8,356,865	B2 *	1/2013	Laible	312/404
2004/0080247	A1 *	4/2004	Dobler et al.	312/348.1

* cited by examiner

Primary Examiner — Mitchell Siegel

(74) *Attorney, Agent, or Firm* — Cantor Colburn LLP

(57) **CLAIM**

The ornamental design for a shelf support of door for refrigerator, as shown and described.

DESCRIPTION

FIG. 1 is a perspective view of a shelf support of door for refrigerator showing our new design; FIG. 2 is a front view thereof; FIG. 3 is a rear view thereof; FIG. 4 is a left side view thereof; FIG. 5 is a right side view thereof; FIG. 6 is a top plan view thereof; FIG. 7 is a bottom plan view thereof; FIG. 8 is another perspective view thereof when in use; and, FIG. 9 is another perspective view thereof when in use. The broken lines are shown for disclosure, illustrative purposes, or environmental structures and form no part of the claimed design.

1 Claim, 7 Drawing Sheets

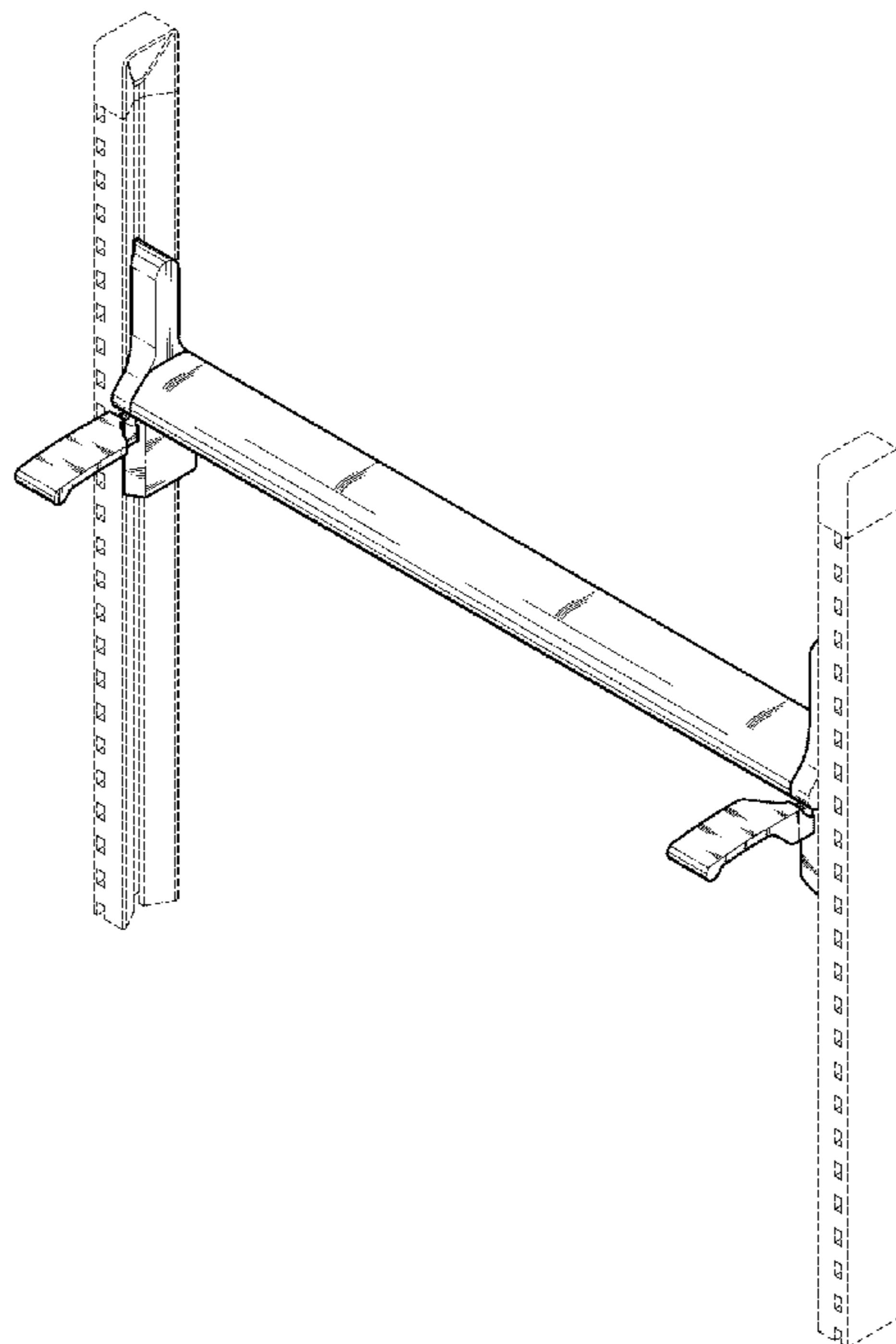


FIG. 1

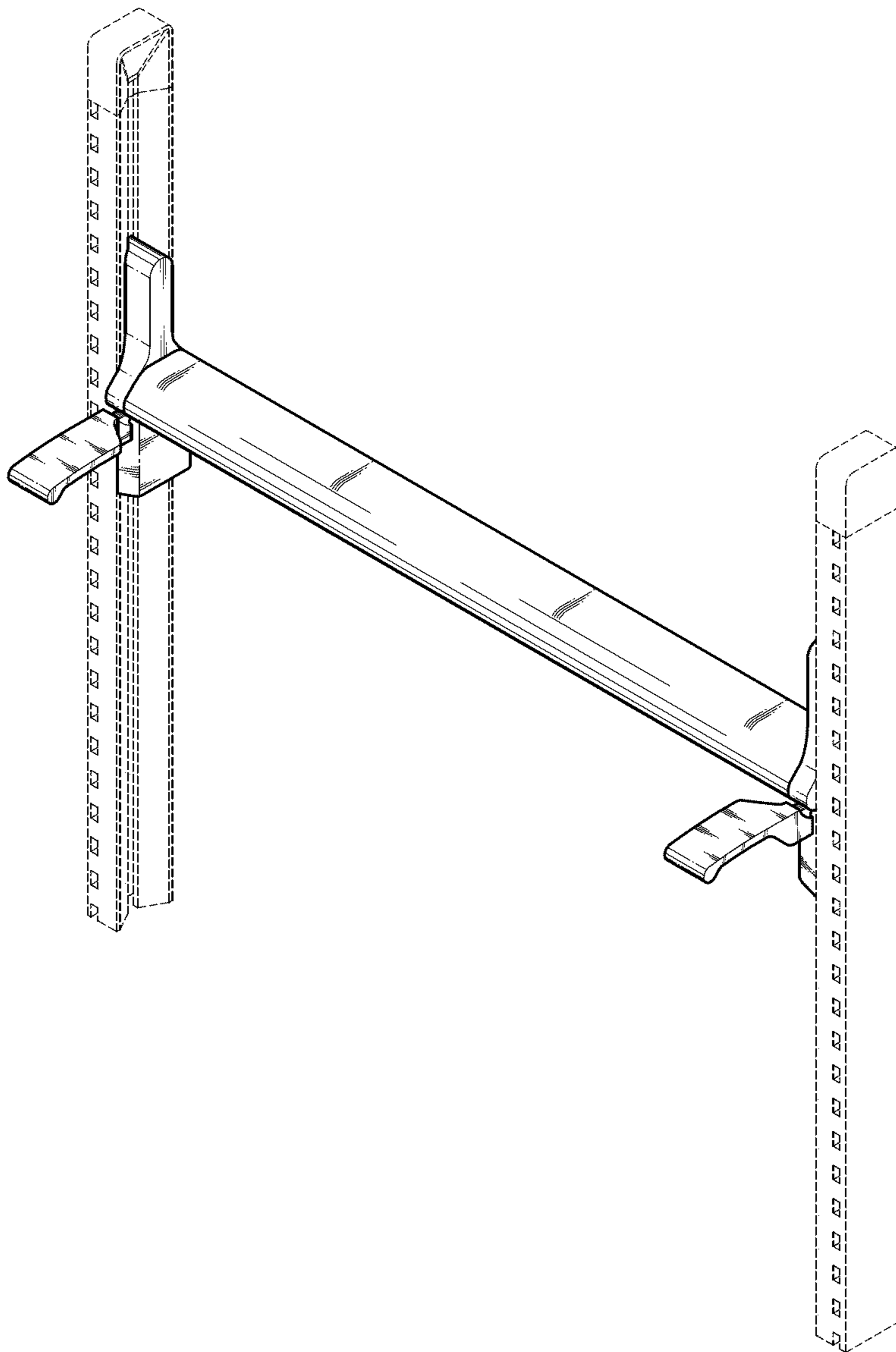


FIG. 2

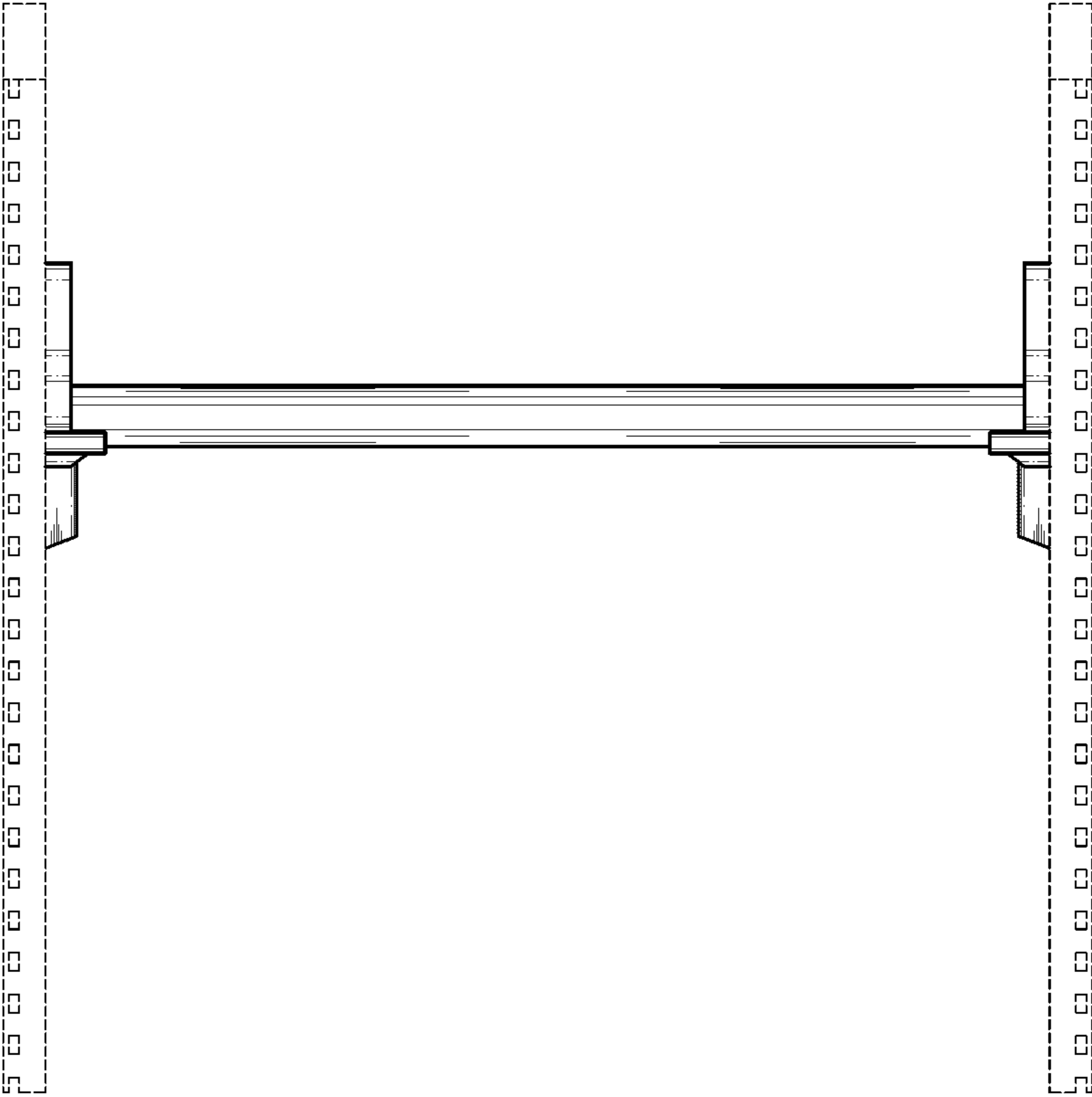


FIG. 3

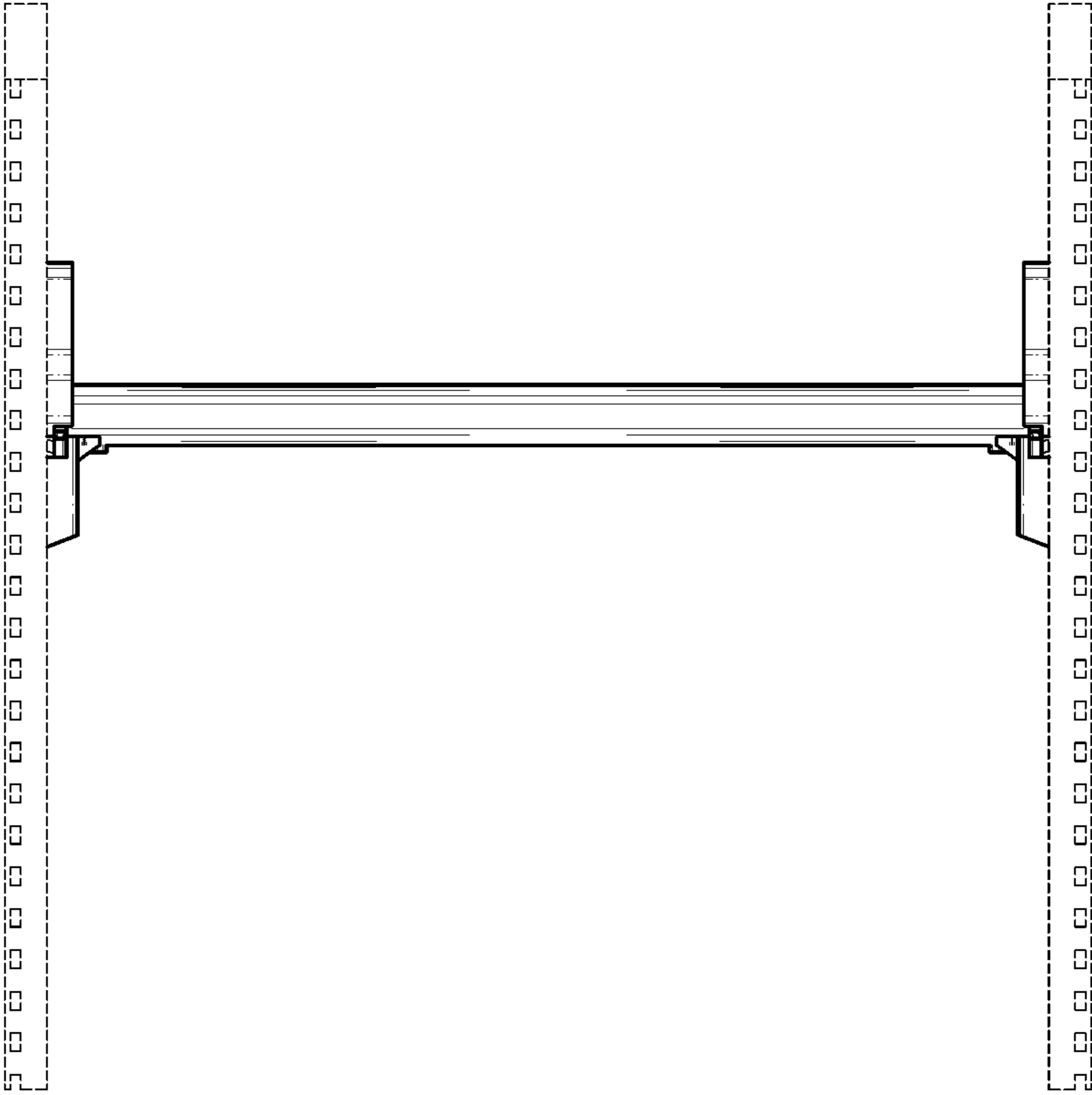


FIG. 4

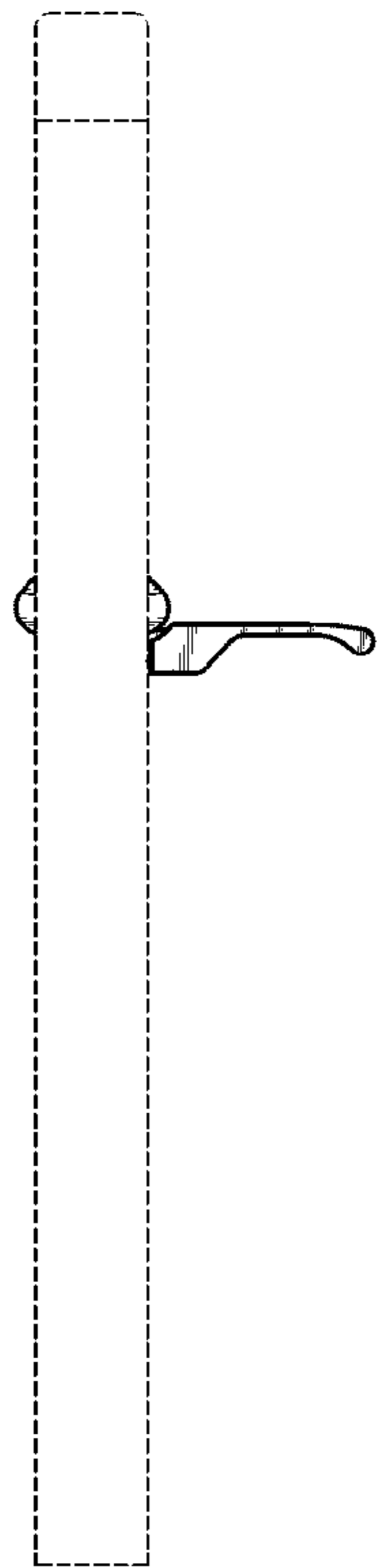


FIG. 5

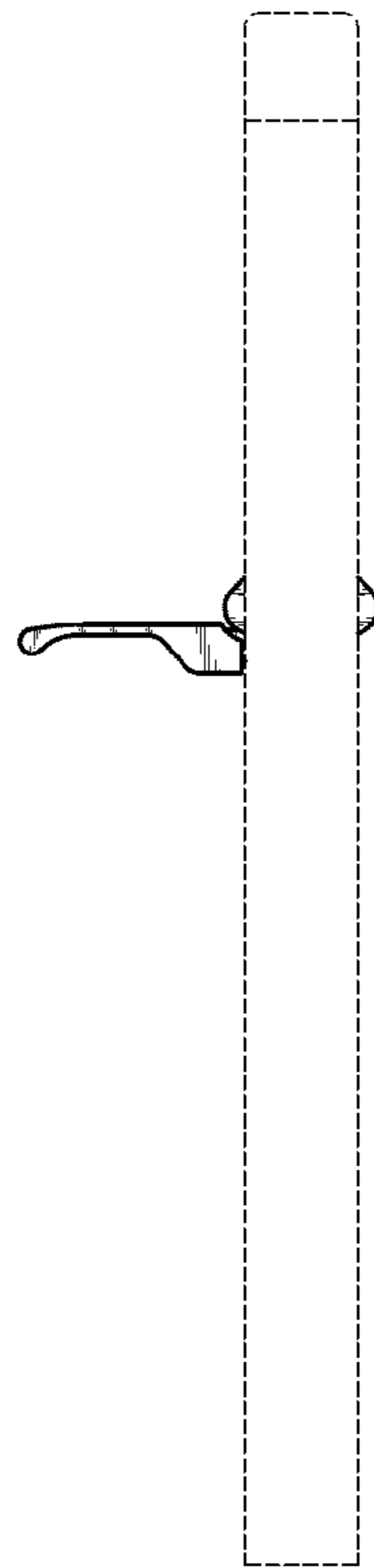


FIG. 6

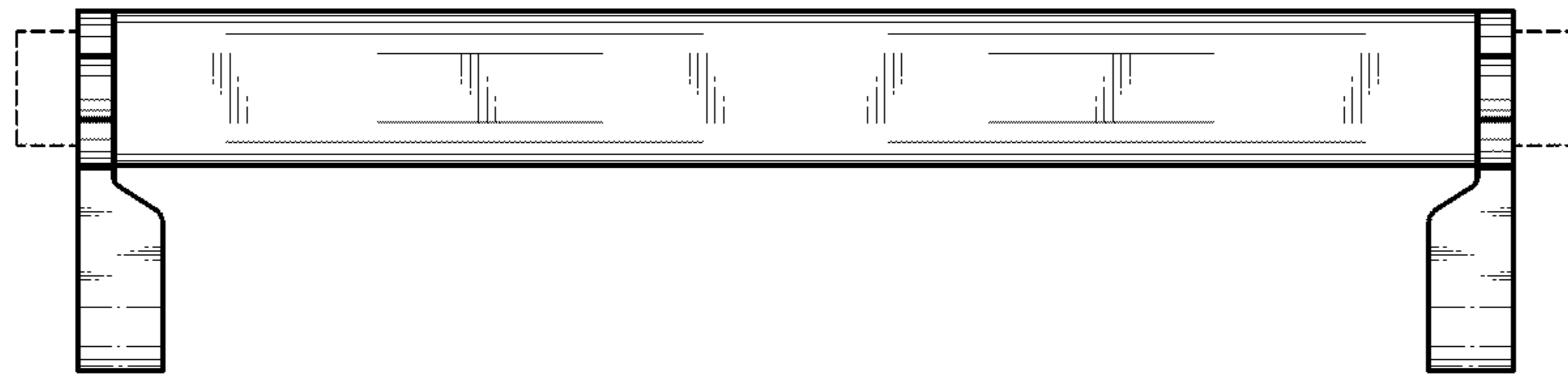


FIG. 7

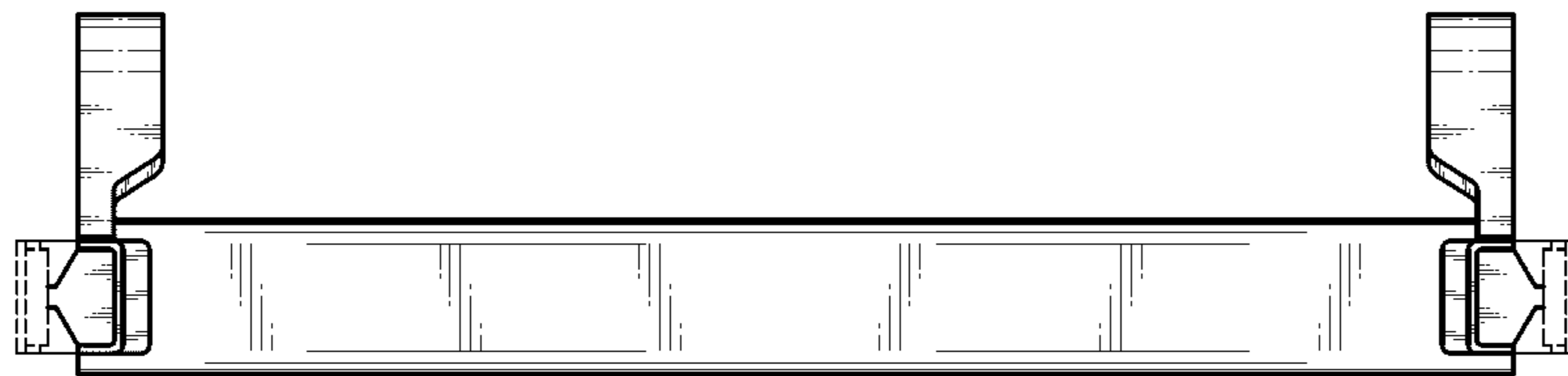


FIG. 8

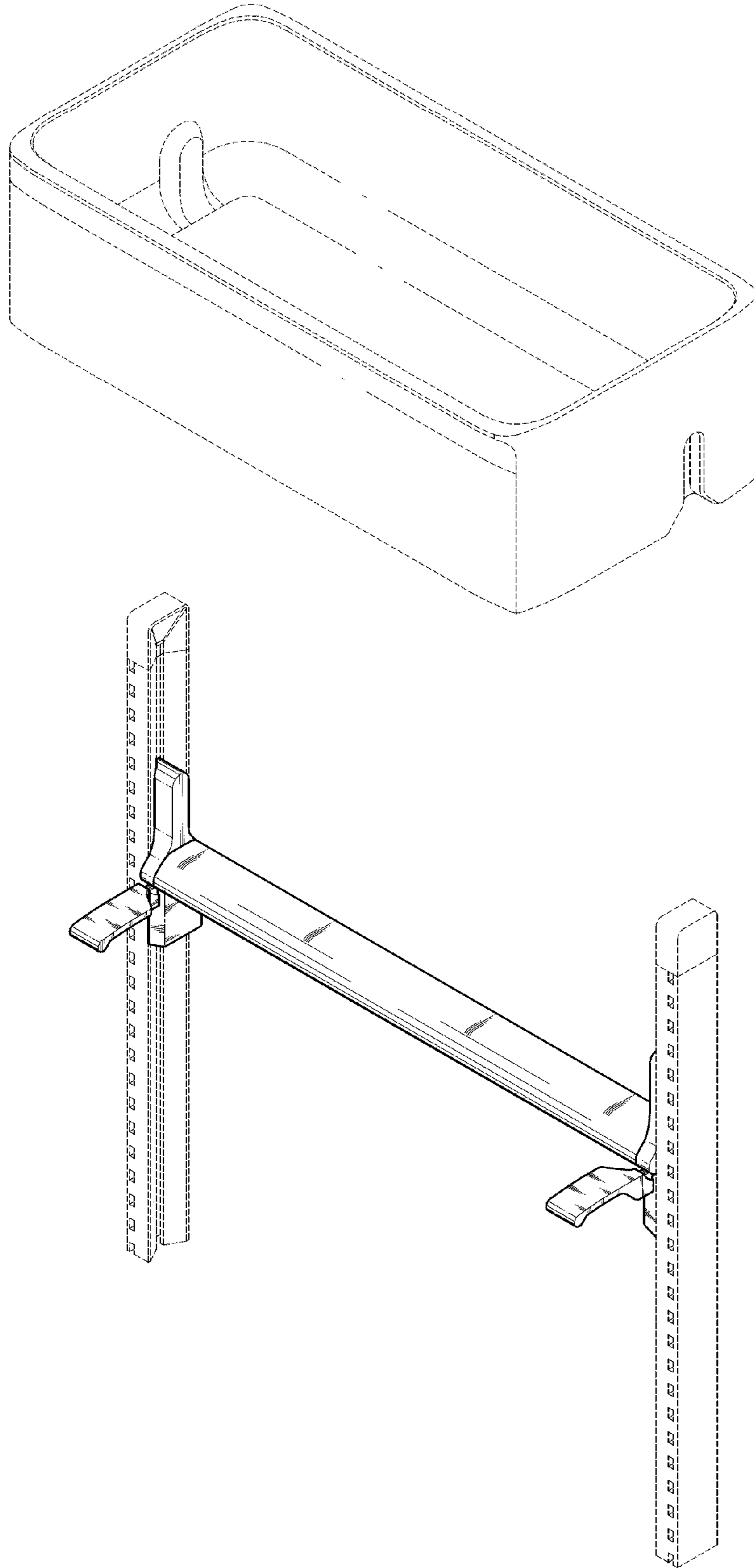


FIG. 9

