



US00D709532S

(12) **United States Design Patent**
Park et al.

(10) **Patent No.:** **US D709,532 S**
(45) **Date of Patent:** **** Jul. 22, 2014**

(54) **SHELF FOR REFRIGERATOR**
(71) Applicant: **Samsung Electronics Co., Ltd.**,
Suwon-si (KR)
(72) Inventors: **Young-Min Park**, Seoul (KR);
Min-Hyong Boo, Seoul (KR);
Hyun-Soo Kim, Seongnam-si (KR);
Kyung-Tae Kim, Suwon-si (KR);
Jong-Hyub Lee, Seoul (KR)

5,273,354 A * 12/1993 Herrmann et al. 312/408
5,524,981 A * 6/1996 Herrmann et al. 312/408
5,641,217 A * 6/1997 Caruso et al. 312/404
5,735,589 A * 4/1998 Herrmann et al. 312/408
D517,102 S * 3/2006 Vardon D15/89
8,408,666 B2 * 4/2013 Armstrong et al. 312/408
D694,292 S * 11/2013 Eby et al. D15/89
2008/0203879 A1 * 8/2008 Lim et al. 312/408

* cited by examiner

(73) Assignee: **Samsung Electronics Co., Ltd.** (KR)

Primary Examiner — Mitchell Siegel

(**) Term: **14 Years**

(74) *Attorney, Agent, or Firm* — Cantor Colburn LLP

(21) Appl. No.: **29/459,212**

(57) **CLAIM**

The ornamental design for a shelf for refrigerator, as shown and described.

(22) Filed: **Jun. 27, 2013**

(30) **Foreign Application Priority Data**

DESCRIPTION

Jan. 2, 2013 (KR) 30-2013-0000138

(51) **LOC (10) Cl.** **15-07**

(52) **U.S. Cl.**
USPC **D15/89**

(58) **Field of Classification Search**
USPC D15/79-89; 312/404-408, 313-316;
108/155; 211/134; D6/511, 574
See application file for complete search history.

FIG. 1 is a perspective view of a shelf for refrigerator showing our new design;
FIG. 2 is a front view thereof;
FIG. 3 is a rear view thereof;
FIG. 4 is a left side view thereof;
FIG. 5 is a right side view thereof;
FIG. 6 is a top plan view thereof;
FIG. 7 is a bottom plan view thereof; and,
FIG. 8 is a perspective view thereof, the drawer being shown in an alternate position.
The broken lines are for showing an environmental structure and form no part of the claimed design.

(56) **References Cited**

U.S. PATENT DOCUMENTS

4,960,308 A * 10/1990 Donaghy 312/404

1 Claim, 6 Drawing Sheets

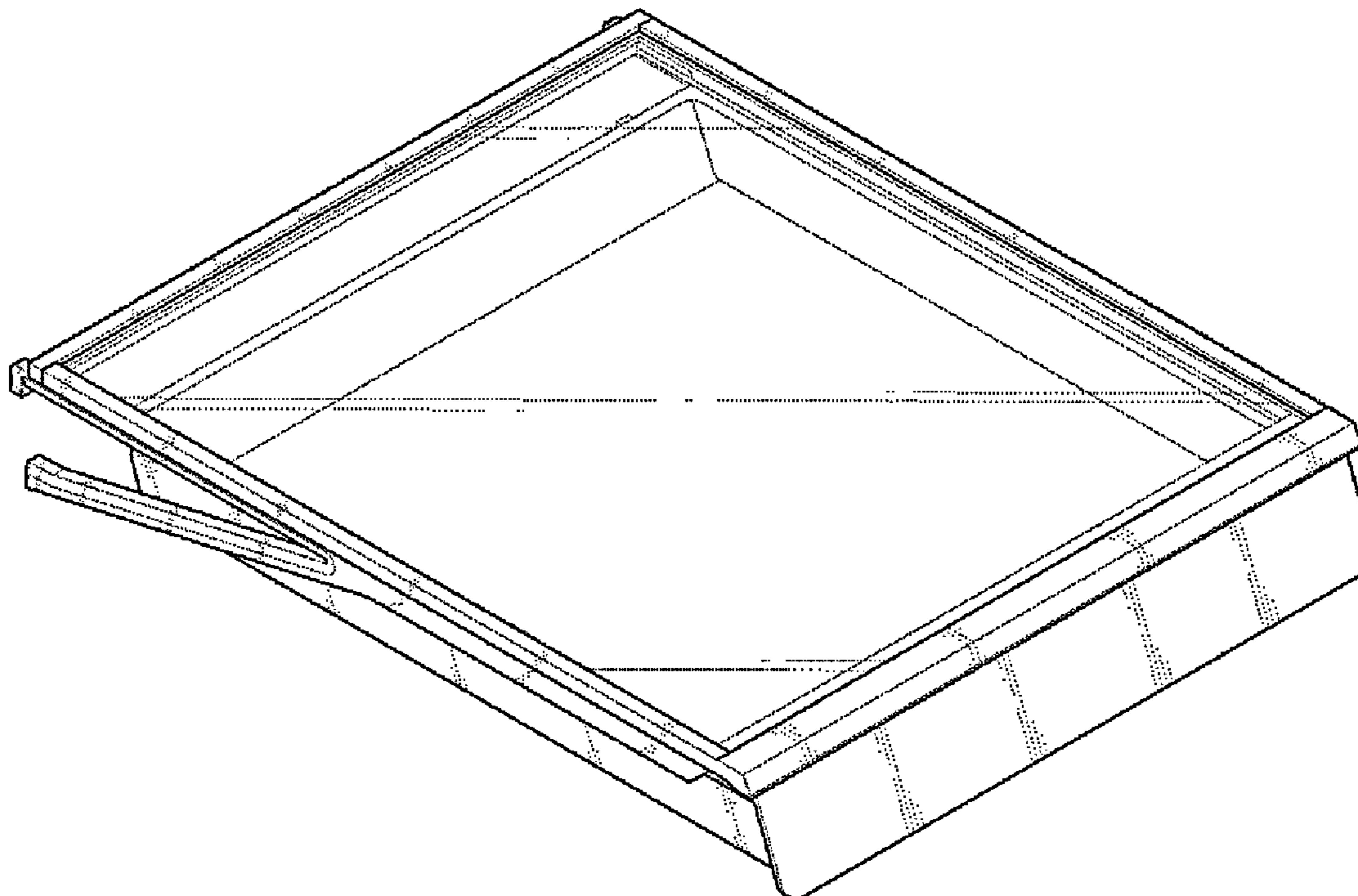


FIG. 1

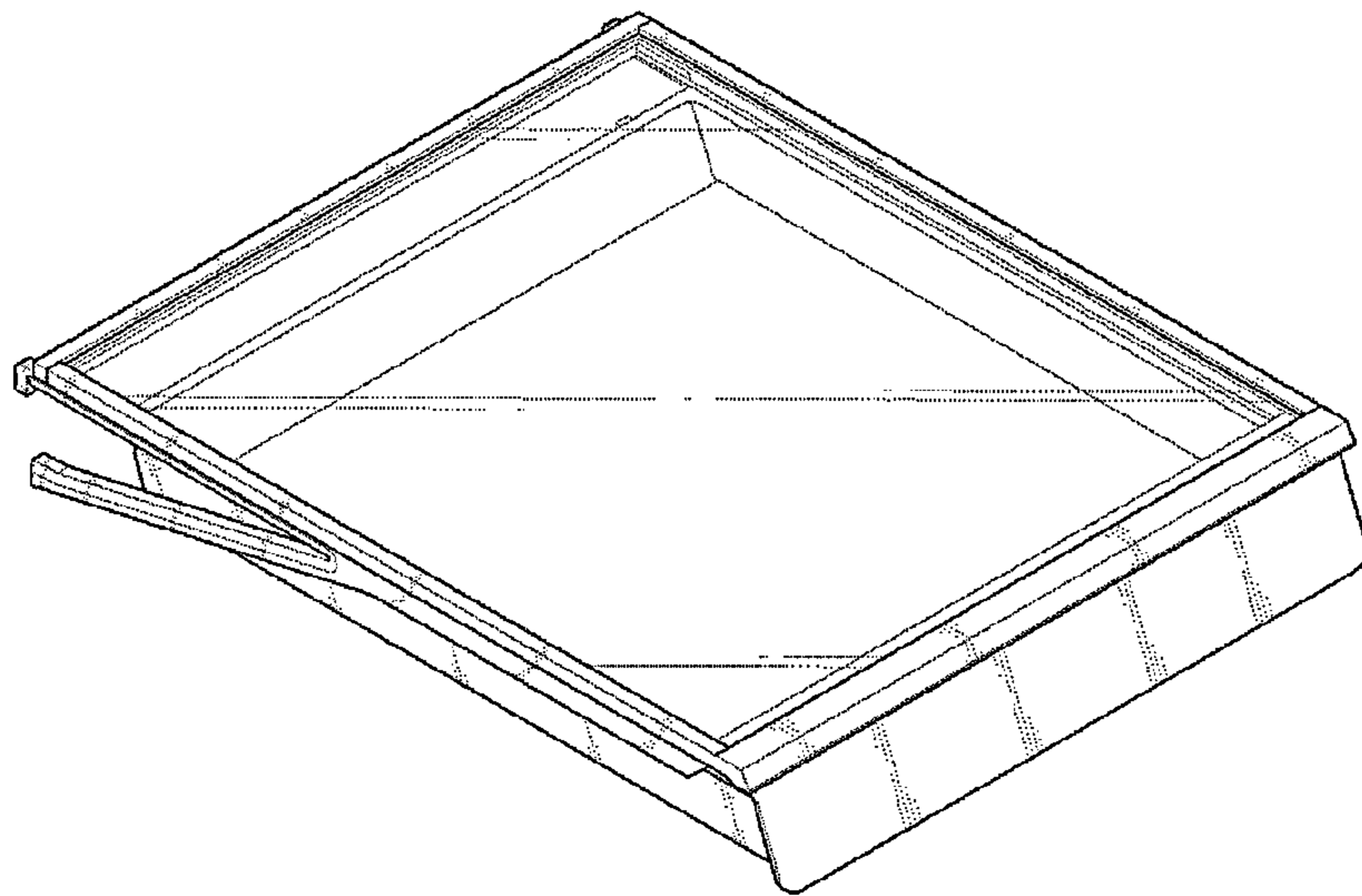


FIG. 2

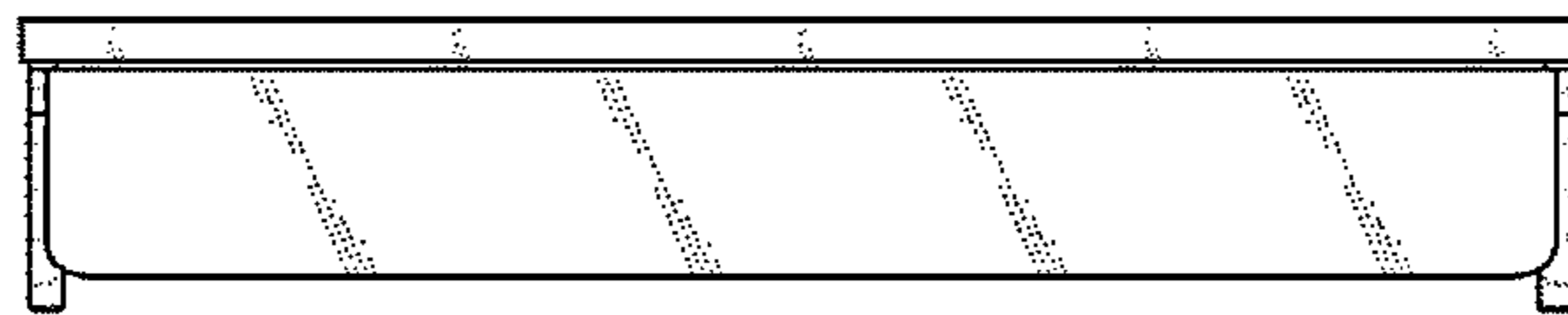


FIG. 3

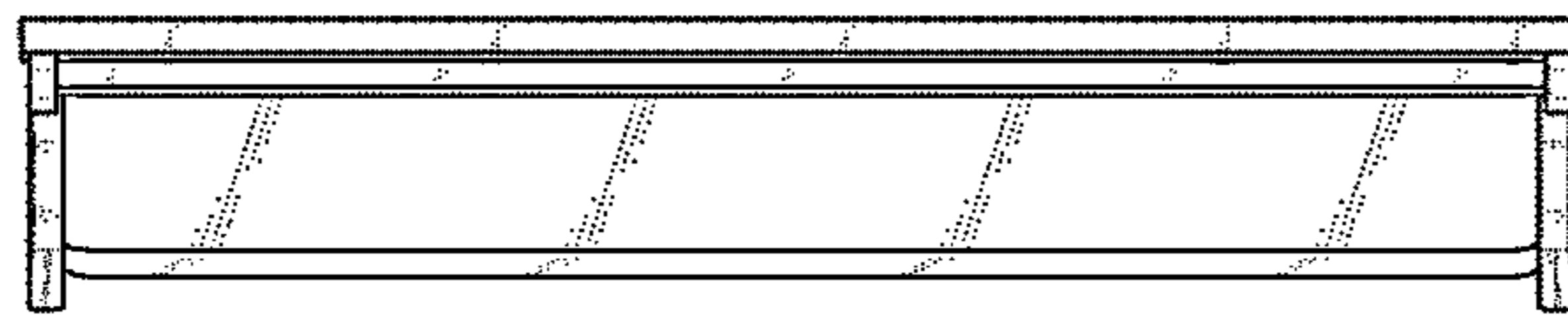


FIG. 4

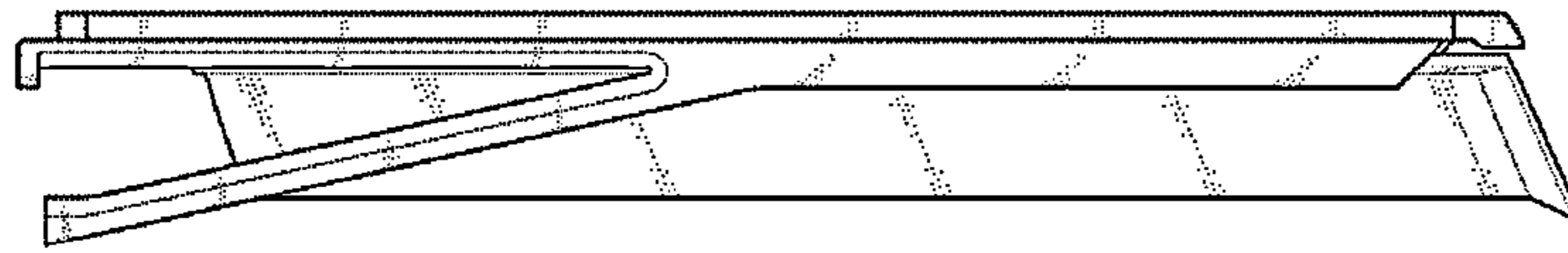


FIG. 5

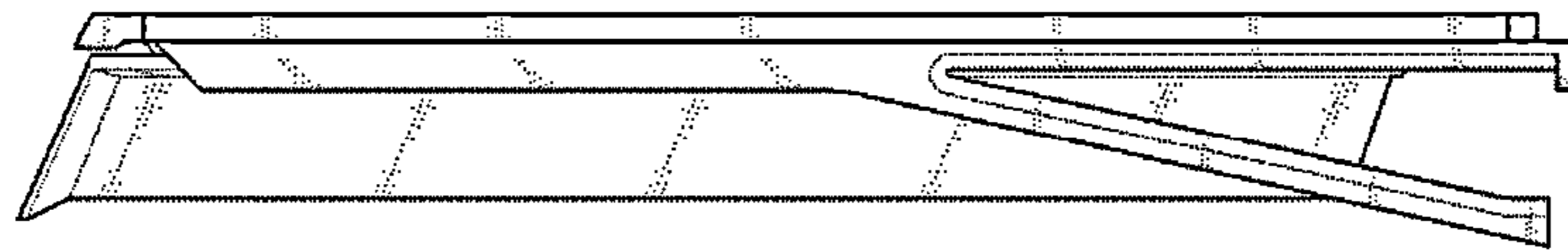


FIG. 6

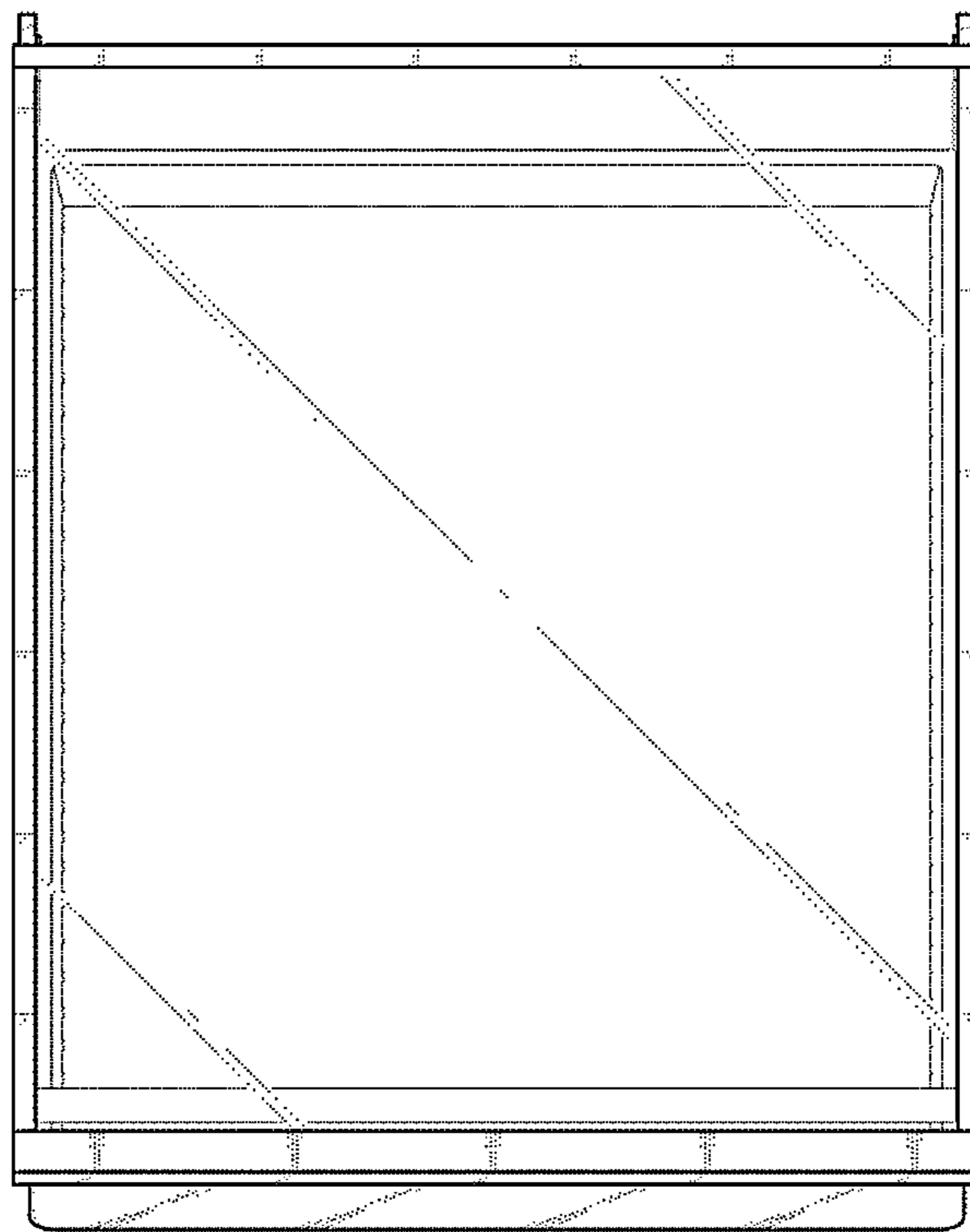


FIG. 7

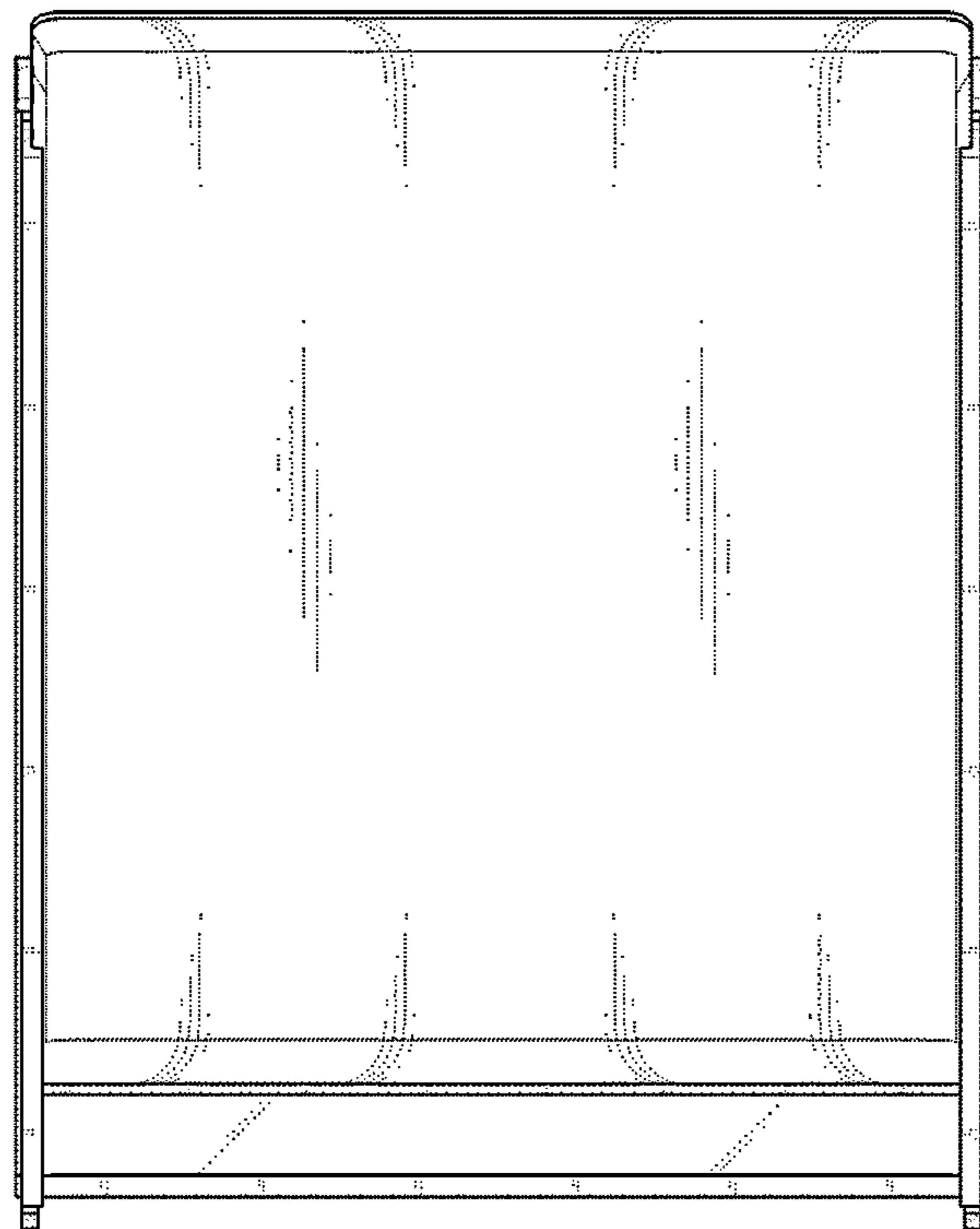


FIG. 8

