



US00D709530S

(12) **United States Design Patent**
Hutchinson et al.

(10) **Patent No.:** **US D709,530 S**
(45) **Date of Patent:** **** Jul. 22, 2014**

- (54) **HYDRAULIC BREAKER VEHICLE TOOL AND BRACKET ASSEMBLY**
- (71) Applicant: **Company Wrench, Ltd.**, Carroll, OH (US)
- (72) Inventors: **Brad Hutchinson**, Lancaster, OH (US);
Eric Thornton, Lancaster, OH (US)
- (73) Assignee: **Company Wrench, Ltd.**, Carroll, OH (US)
- (**) Term: **14 Years**
- (21) Appl. No.: **29/455,181**
- (22) Filed: **May 17, 2013**
- (51) **LOC (10) Cl.** **15-03**
- (52) **U.S. Cl.**
USPC **D15/28**
- (58) **Field of Classification Search**
USPC D15/10, 21, 28; 299/69, 70, 20, 2, 23;
37/403; 173/201, 90, 46, 171, 162.1,
173/119, 134, 135, 21, 78, 162.2, 211;
29/402.03; 175/293, 300, 306, 414,
175/415, 417
See application file for complete search history.

(56) **References Cited**

U.S. PATENT DOCUMENTS

| | | | | | |
|-----------|------|--------|-----------------|-------|-----------|
| 4,602,821 | A * | 7/1986 | Schaeff | | 299/67 |
| 4,724,912 | A * | 2/1988 | Miyazaki et al. | | 173/162.1 |
| D326,857 | S * | 6/1992 | Ikeda et al. | | D15/21 |
| 5,183,316 | A * | 2/1993 | Ottestad | | 299/69 |
| 5,419,404 | A * | 5/1995 | Niemi et al. | | 173/171 |
| 6,227,307 | B1 * | 5/2001 | Lee | | 173/78 |
| D457,534 | S * | 5/2002 | Kim | | D15/21 |
| 6,510,902 | B1 * | 1/2003 | Prokop et al. | | 173/1 |
| D547,775 | S * | 7/2007 | Tuscuoğlu | | D15/21 |
| 7,364,168 | B2 * | 4/2008 | Comarmond | | 279/19.3 |

(Continued)

Primary Examiner — Mark Goodwin

(74) *Attorney, Agent, or Firm* — Roger A. Gilcrest

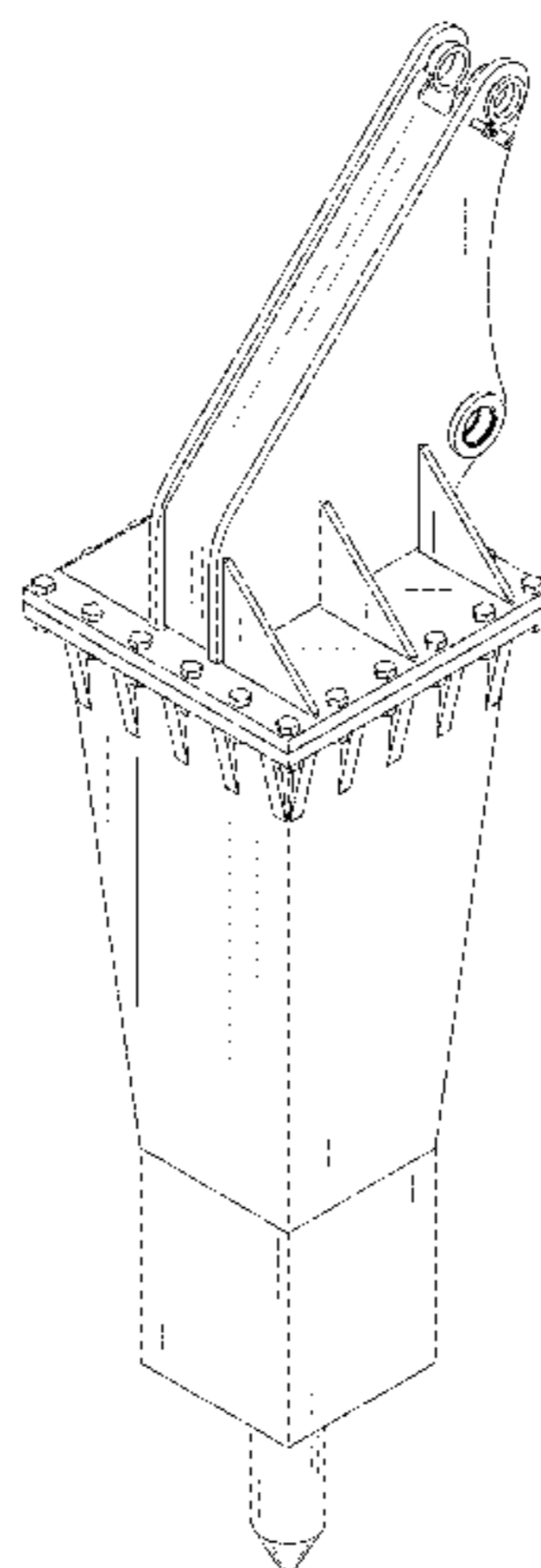
(57) **CLAIM**

The ornamental design for a hydraulic breaker vehicle tool and bracket assembly, as shown and described.

DESCRIPTION

FIG. 1 is an upper first side perspective view of a hydraulic breaker vehicle tool and bracket assembly;
 FIG. 2 is a first side elevation view of a hydraulic breaker vehicle tool and bracket assembly;
 FIG. 3 is a second side elevation view a hydraulic breaker vehicle bearing the subject tool and bracket, opposite said first side;
 FIG. 4 is a front side elevation view of a hydraulic breaker vehicle tool and bracket assembly;
 FIG. 5 is a rear side elevation view of a hydraulic breaker vehicle tool and bracket assembly, opposite said front side;
 FIG. 6 is a top plan elevation view of a hydraulic breaker vehicle tool and bracket assembly;
 FIG. 7 is a bottom plan elevation view of a hydraulic breaker vehicle tool and bracket assembly;
 FIG. 8 is an upper first side perspective view of the hydraulic breaker vehicle tool and bracket assembly;
 FIG. 9 is a first side elevation view of the hydraulic breaker vehicle tool and bracket assembly;
 FIG. 10 is a second side elevation view of the hydraulic breaker vehicle tool and bracket assembly, opposite said first side;
 FIG. 11 is a front side elevation view of the hydraulic breaker vehicle tool and bracket assembly;
 FIG. 12 is a rear side elevation view of the hydraulic breaker vehicle tool and bracket assembly, opposite said front side;
 FIG. 13 is a top plan elevation view of the hydraulic breaker vehicle tool and bracket assembly; and,
 FIG. 14 is a bottom plan elevation view of the hydraulic breaker vehicle tool and bracket assembly.
 The broken line showing of a hydraulic breaker vehicle tool and bracket assembly in FIGS. 1-7 is included for the purpose of illustrating environmental use only and forms no part of the claimed design.

1 Claim, 10 Drawing Sheets



(56)

References Cited

U.S. PATENT DOCUMENTS

| | | | | | | | | | | | |
|--------------|------|---------|------------------|-------|-----------|--------------|------|---------|------------------|-------|---------|
| 7,413,028 | B2 * | 8/2008 | Comarmond | | 173/132 | 2006/0012239 | A1 * | 1/2006 | Ko | | 299/70 |
| 7,523,997 | B2 * | 4/2009 | Jalabert et al. | | 299/100 | 2006/0272184 | A1 * | 12/2006 | Underwood | | 37/403 |
| 7,628,222 | B2 * | 12/2009 | Yoshimura et al. | | 173/162.1 | 2007/0295520 | A1 * | 12/2007 | Comarmond | | 173/90 |
| D645,480 | S * | 9/2011 | Pillers, et al. | | D15/28 | 2008/0047171 | A1 * | 2/2008 | Jalabert et al. | | 37/403 |
| D645,481 | S * | 9/2011 | Pillers, et al. | | D15/28 | 2009/0008116 | A1 * | 1/2009 | Jinnings et al. | | 173/195 |
| 8,146,677 | B2 * | 4/2012 | Kim | | 173/115 | 2009/0132131 | A1 * | 5/2009 | Takeda et al. | | 701/50 |
| 8,181,716 | B2 * | 5/2012 | Robson | | 173/210 | 2011/0315415 | A1 * | 12/2011 | Nishikawa et al. | | 173/47 |
| 2004/0244234 | A1 * | 12/2004 | Underwood | | 37/403 | 2012/0067606 | A1 * | 3/2012 | Lee et al. | | 173/201 |
| | | | | | | 2012/0145422 | A1 * | 6/2012 | Nickels et al. | | 173/46 |
| | | | | | | 2012/0145424 | A1 * | 6/2012 | Nickels et al. | | 173/90 |

* cited by examiner

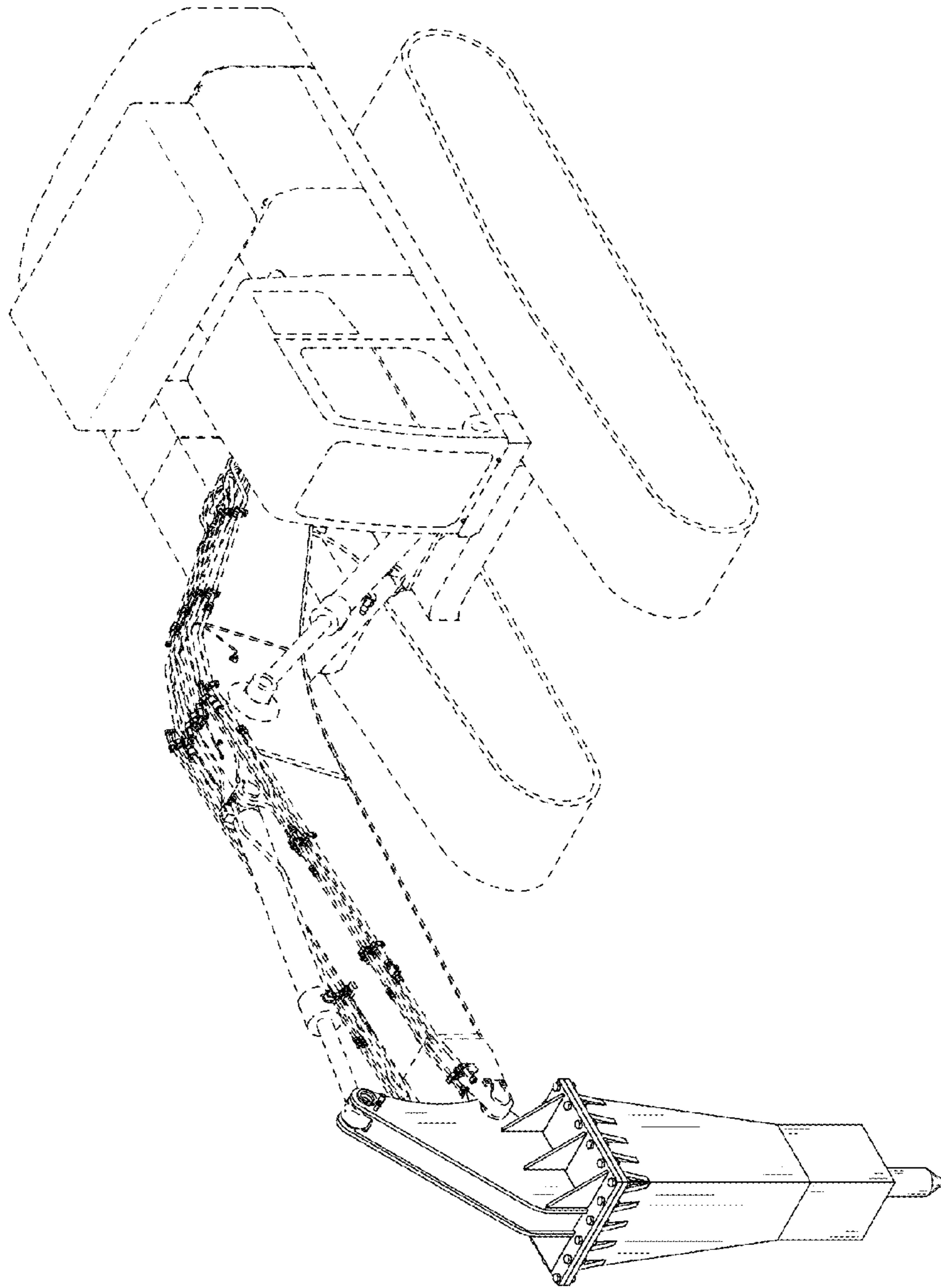


FIG. 1

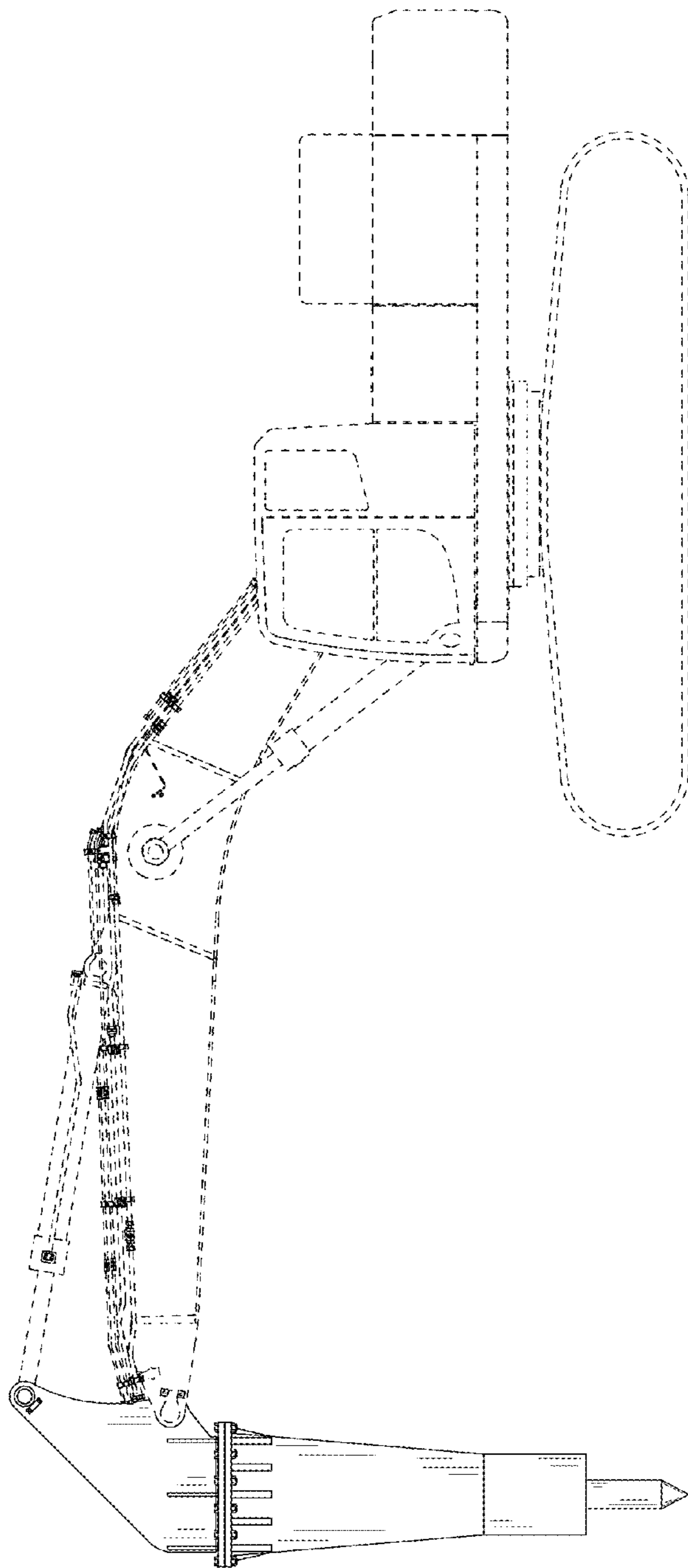


FIG. 2

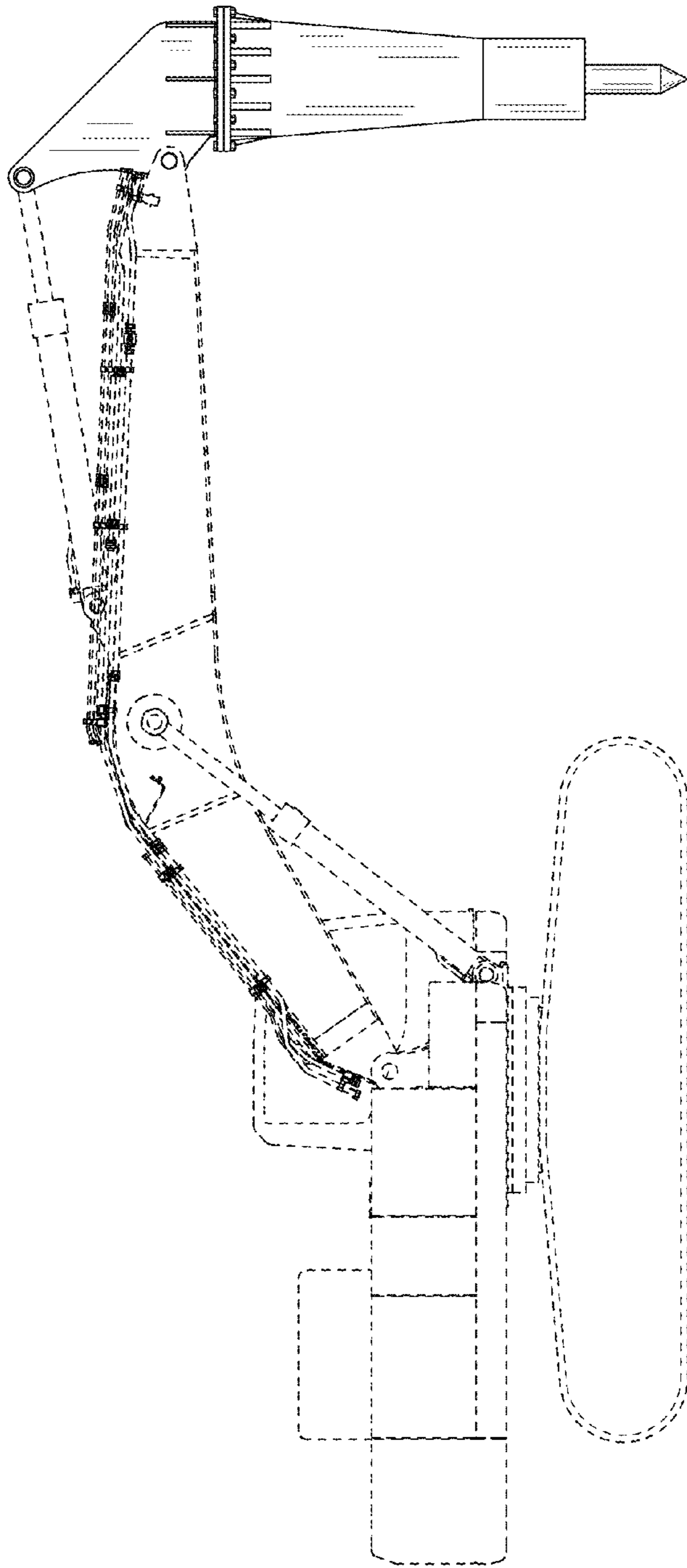


FIG. 3

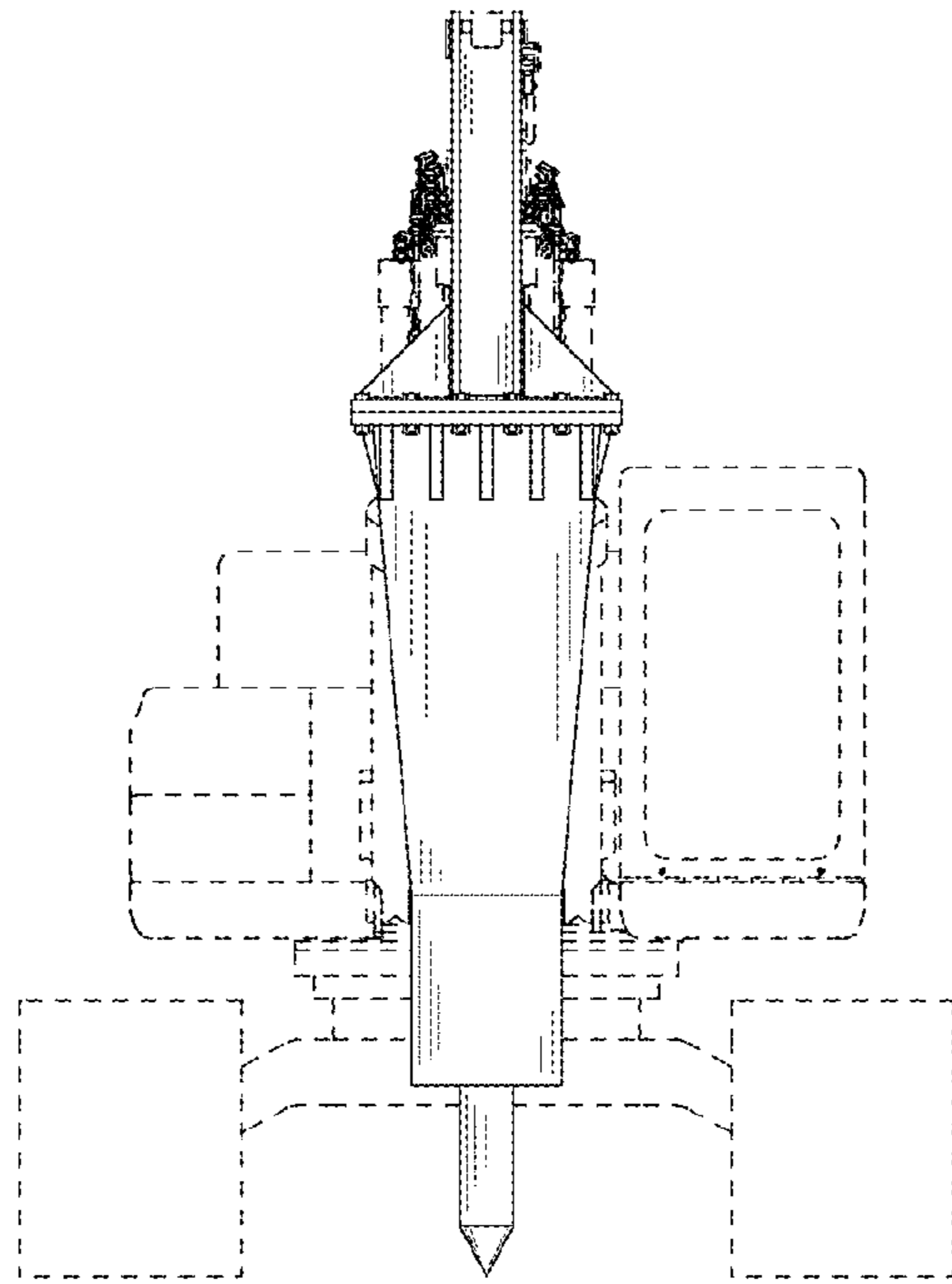


FIG. 4

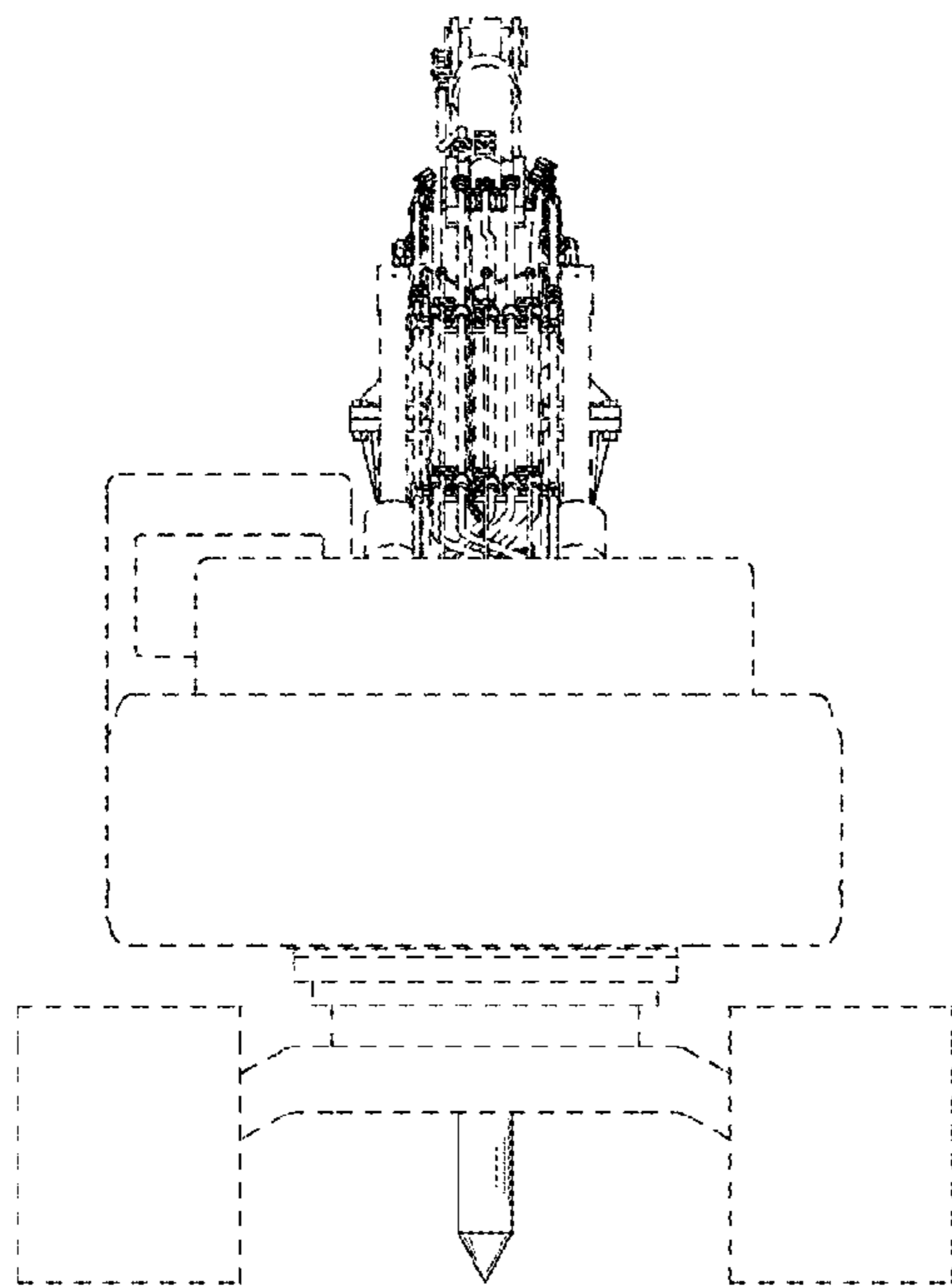


FIG. 5

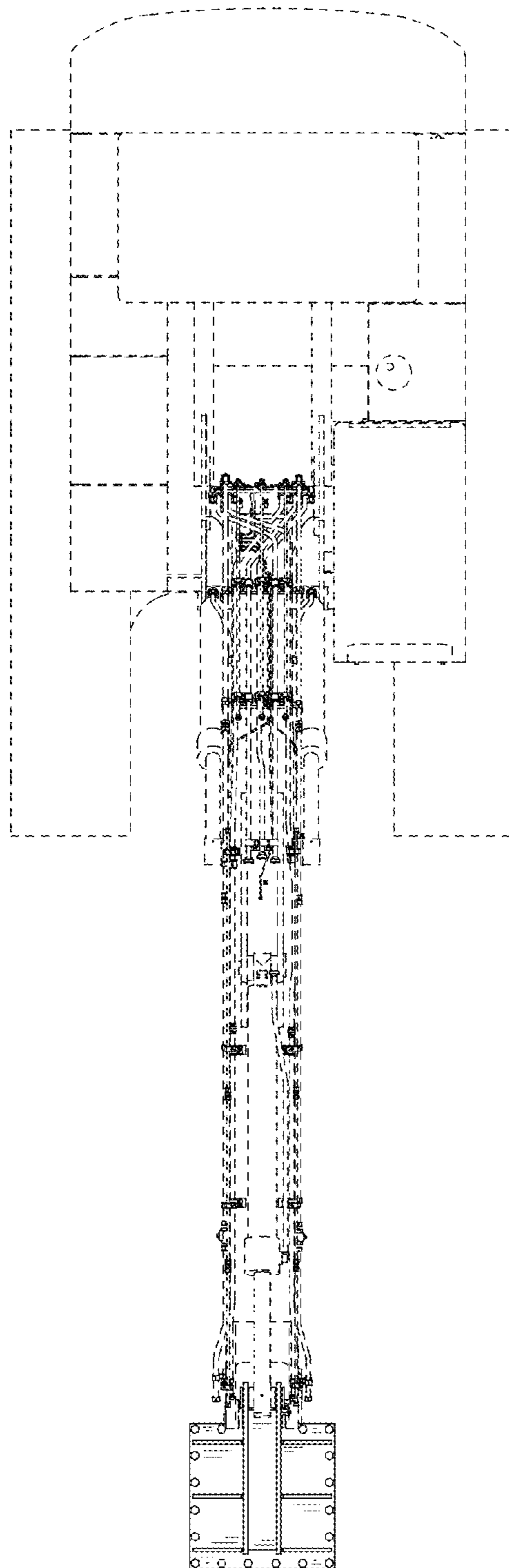


FIG. 6

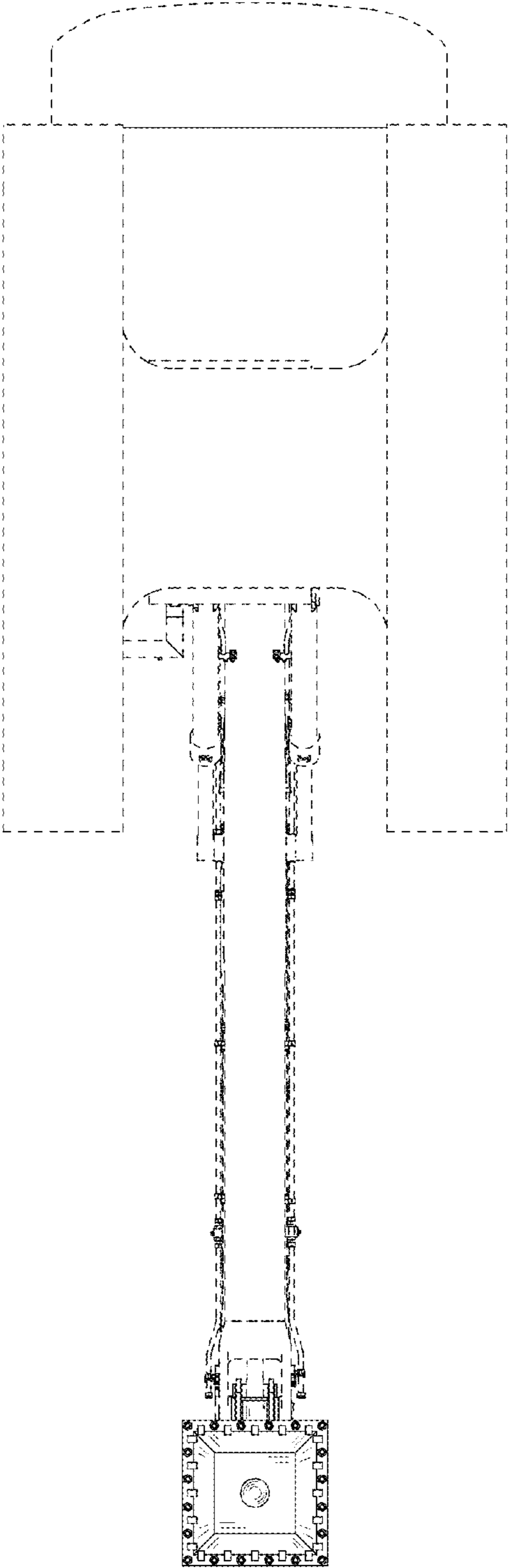


FIG. 7

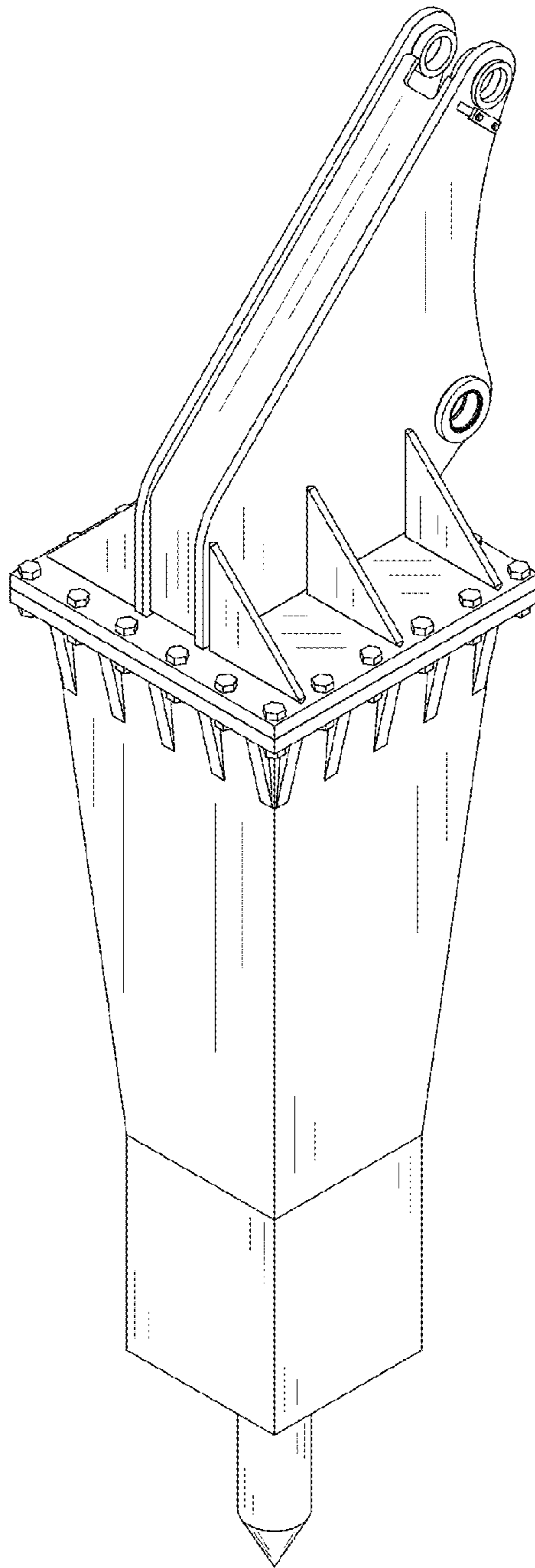


FIG. 8

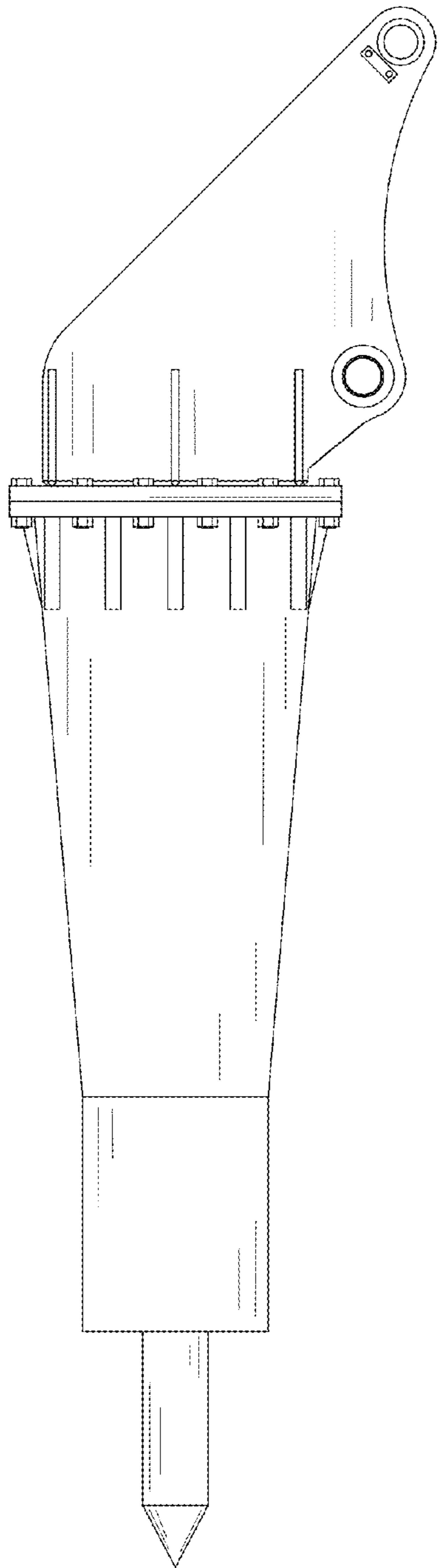


FIG. 9

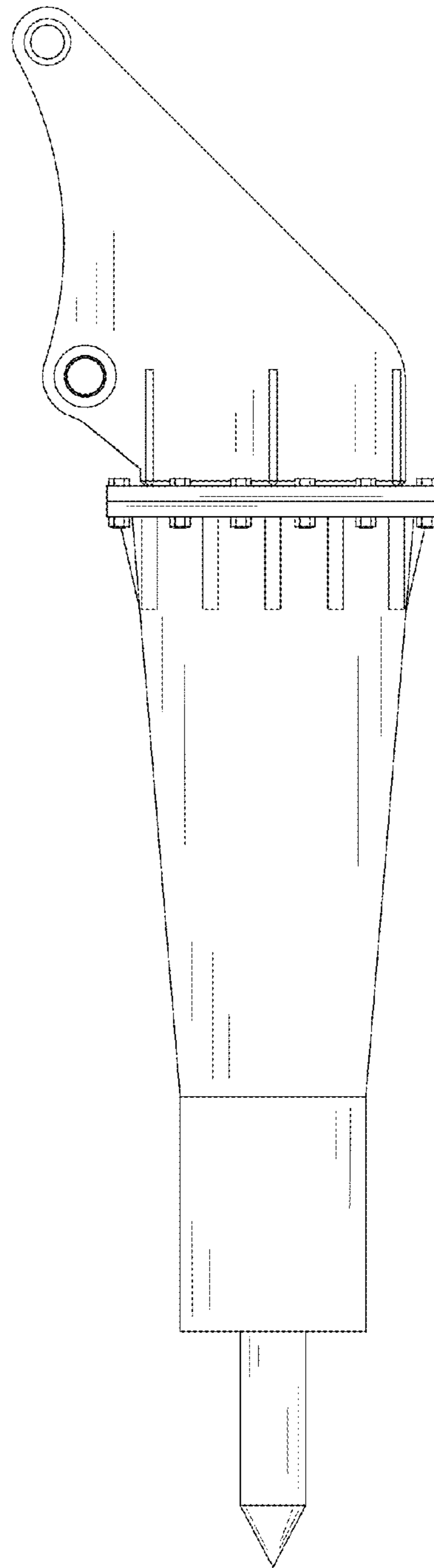


FIG. 10

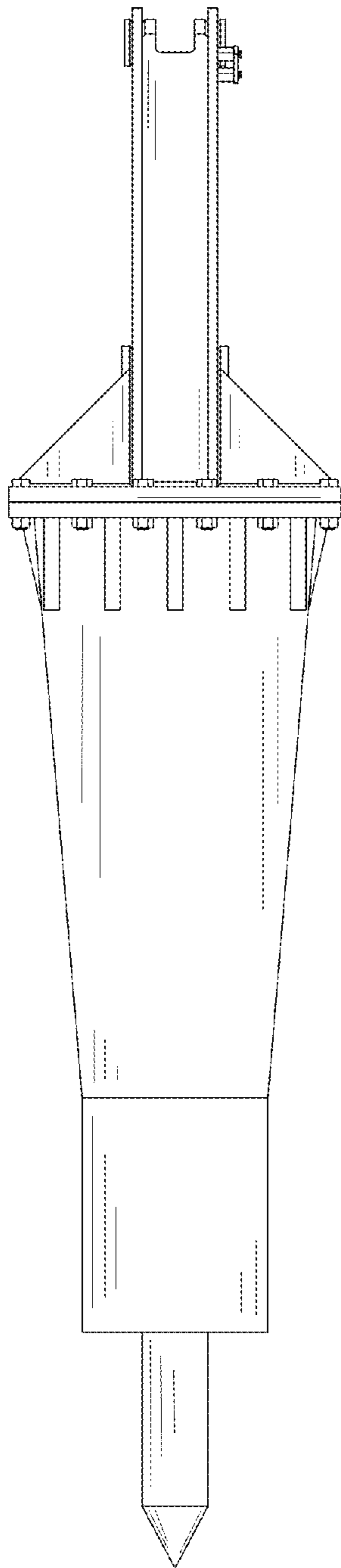


FIG. 11

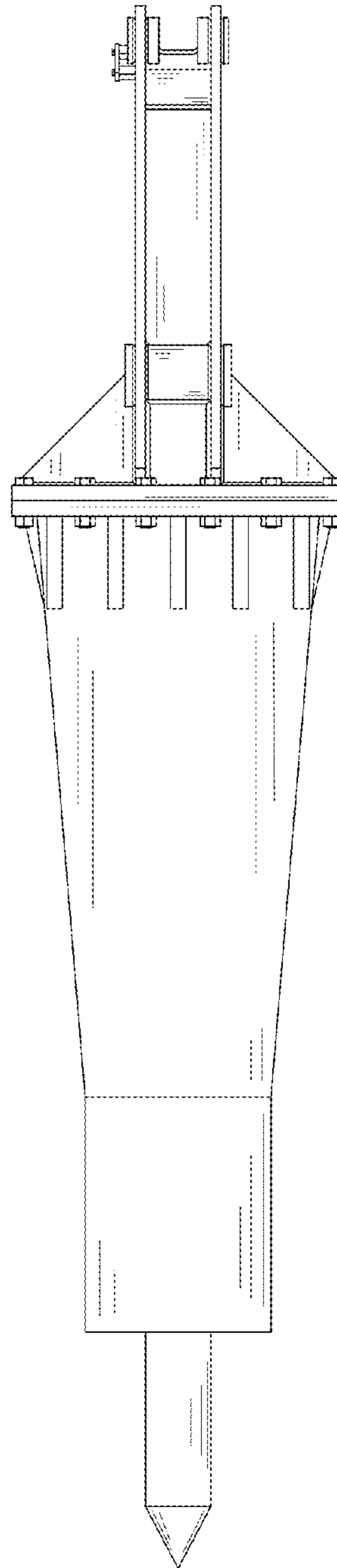


FIG. 12

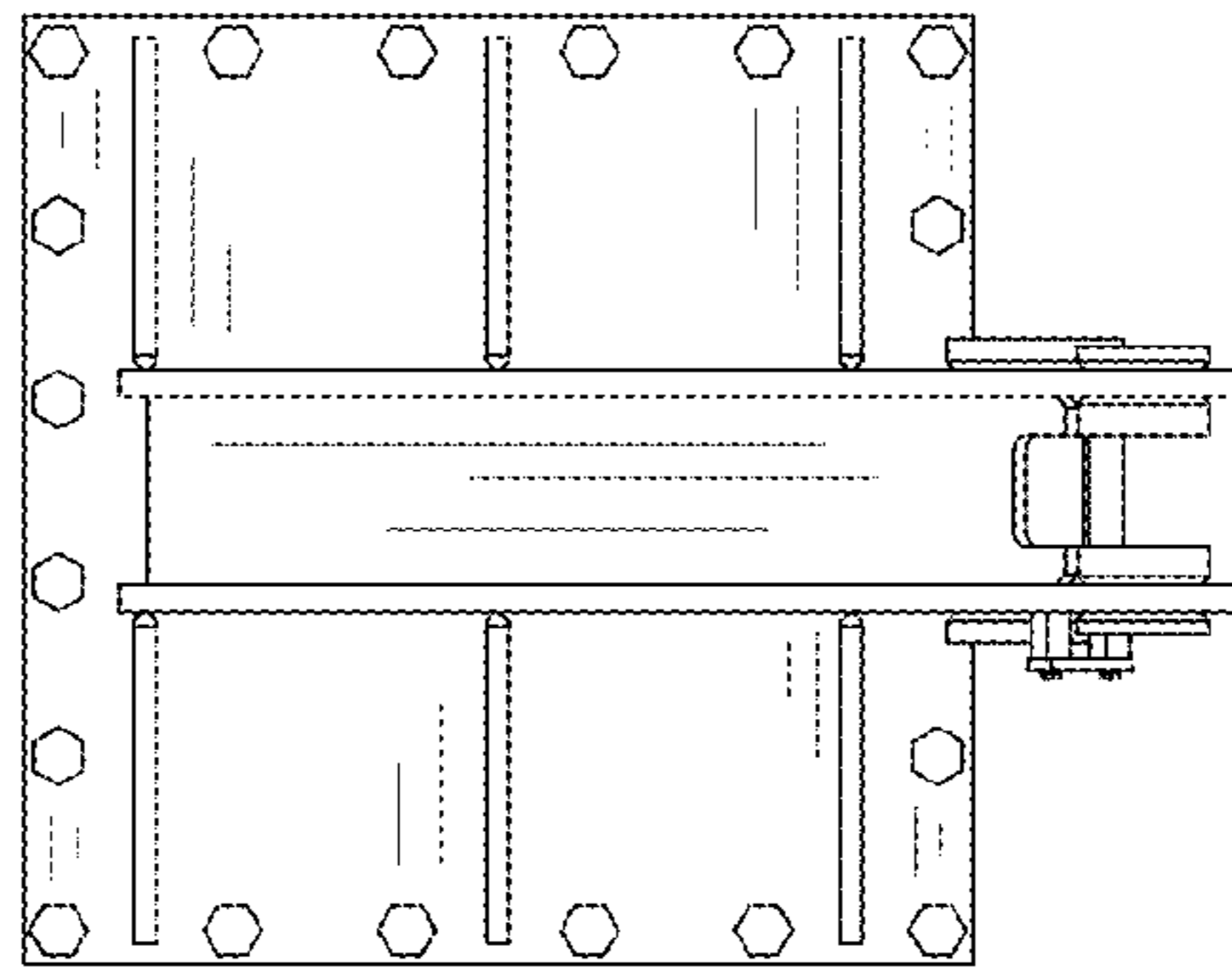


FIG. 13

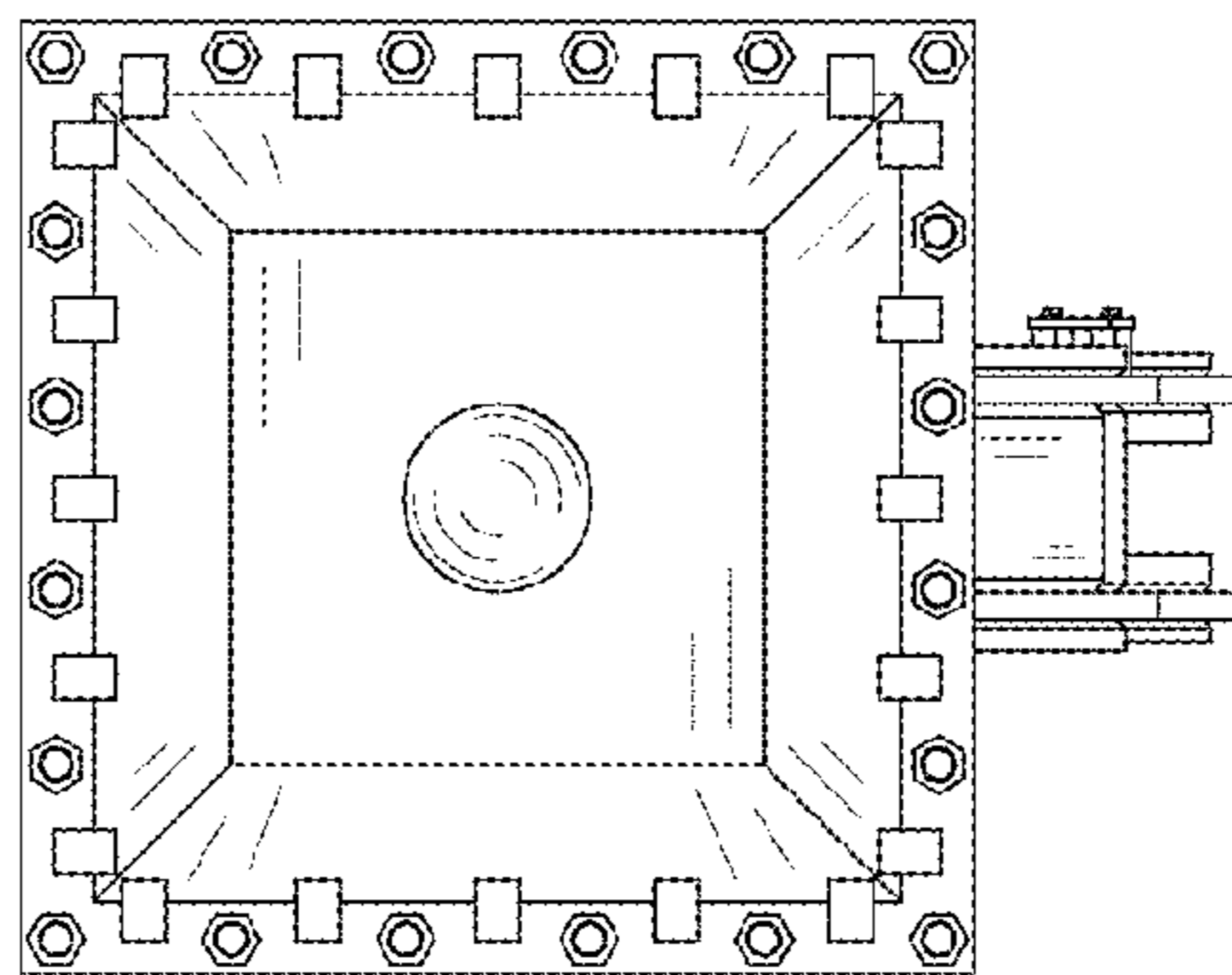


FIG. 14