



US00D709528S

(12) **United States Design Patent**
Shimomura et al.

(10) **Patent No.:** **US D709,528 S**
(45) **Date of Patent:** **** Jul. 22, 2014**

(54) **PORTION OF A TRACTOR**
(71) Applicant: **Kubota Corporation**, Osaka (JP)
(72) Inventors: **Takashi Shimomura**, Sakai (JP); **Junta Kuwae**, Sakai (JP); **Mamoru Kawaguchi**, Sakai (JP)
(73) Assignee: **Kubota Corporation**, Osaka (JP)
(**) Term: **14 Years**
(21) Appl. No.: **29/444,367**
(22) Filed: **Jan. 30, 2013**

D473,881 S * 4/2003 Kuwae D15/28
D474,206 S * 5/2003 Kuwae D15/31
D483,383 S * 12/2003 Crookes et al. D15/31
D488,488 S * 4/2004 Montgomery et al. D15/31
D488,489 S * 4/2004 Montgomery et al. D15/31
D498,485 S * 11/2004 Kuwae D15/31
D522,537 S * 6/2006 Higashikawa D15/31
D532,022 S * 11/2006 Kuwae D15/31
D554,669 S * 11/2007 Crookes et al. D15/31
D557,714 S * 12/2007 Higashikawa D15/31
D558,238 S * 12/2007 Kuwae D15/31
D558,799 S * 1/2008 Higashikawa D15/31
D560,693 S * 1/2008 Moen et al. D15/31
D570,382 S * 6/2008 Higashikawa D15/31
D581,955 S * 12/2008 Matsumoto et al. D15/31
D586,828 S * 2/2009 Staines et al. D15/31
D591,777 S * 5/2009 Kokitkar et al. D15/31

(Continued)

(30) **Foreign Application Priority Data**
Jul. 31, 2012 (JP) 2012-018236

Primary Examiner — Mark Goodwin
(74) *Attorney, Agent, or Firm* — The Webb Law Firm

(51) **LOC (10) Cl.** **15-03**
(52) **U.S. Cl.**
USPC **D15/28**

(57) **CLAIM**
The ornamental design for a portion of a tractor, as shown and described.

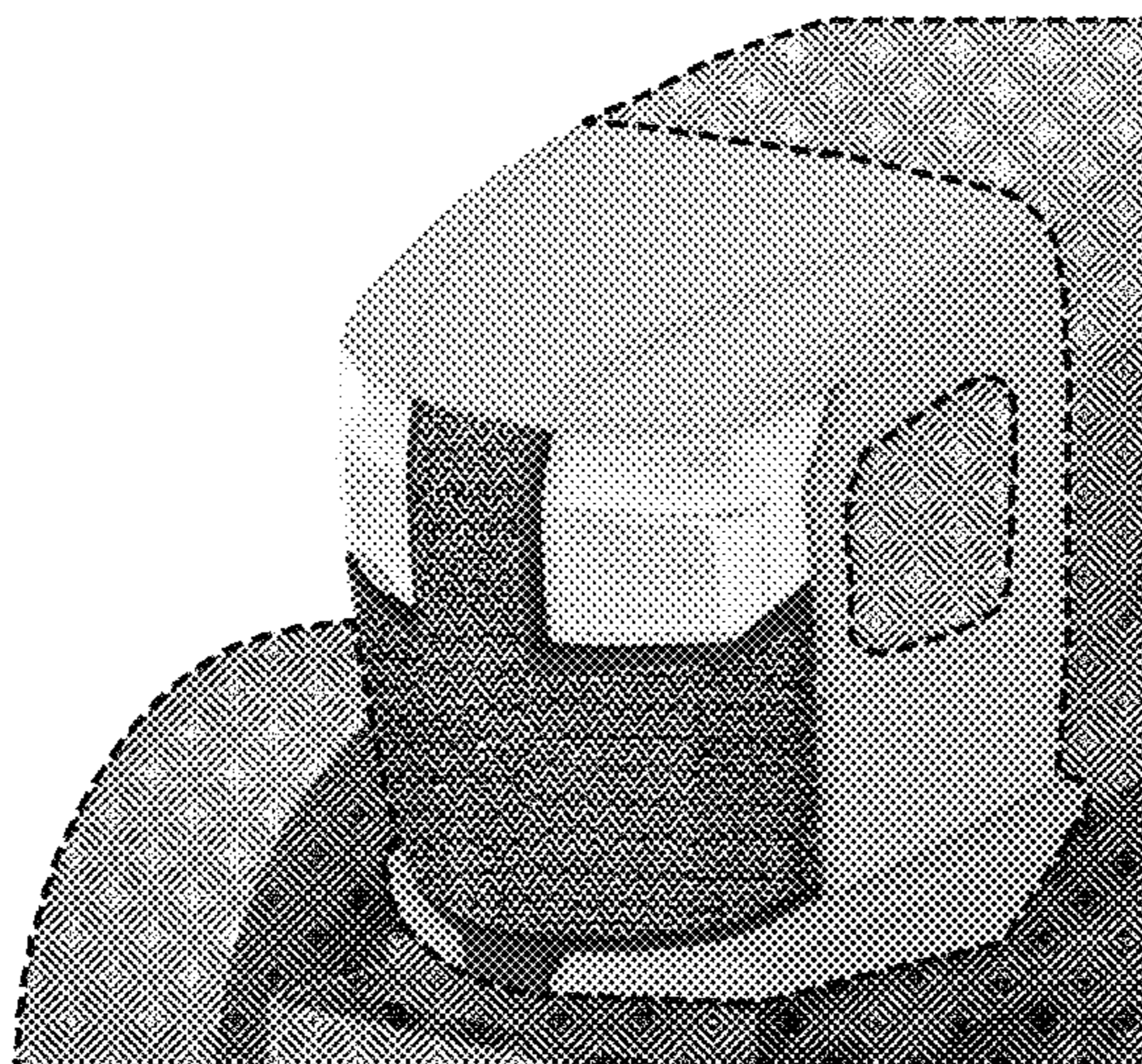
(58) **Field of Classification Search**
USPC D15/10, 11, 13-17, 28, 22-26, 31;
D12/173; 56/13.3, 13.4, 15.8, 15.9,
56/320.1; 180/89.1, 89.12, 900, 69.2,
180/68.1, 69.1
See application file for complete search history.

DESCRIPTION

FIG. 1 is a right side view of a portion of a tractor showing our new design;
FIG. 2 is a left side view thereof;
FIG. 3 is a front view thereof;
FIG. 4 is a top view thereof;
FIG. 5 is an upper right front perspective view thereof;
FIG. 6 is an enlarged front view thereof; and,
FIG. 7 is an enlarged upper right front perspective view thereof.
The portions of FIGS. 1-7 shown in coarse dot pattern and outlined in dashed lines form no part of the claimed design. A bottom view is omitted because it is plain and unornamental and forms no part of the subject matter of the claimed design.

(56) **References Cited**
U.S. PATENT DOCUMENTS
D246,370 S * 11/1977 Lorenz D15/31
D297,330 S * 8/1988 Monehaie et al. D15/31
5,490,574 A * 2/1996 Ishiizumi et al. 180/68.1
D371,372 S * 7/1996 Westimayer et al. D15/31
D381,025 S * 7/1997 Bataille D15/31
D383,470 S * 9/1997 Westimayer et al. D15/31
D389,492 S * 1/1998 Schmidt et al. D15/31
D413,905 S * 9/1999 Schmidt et al. D15/31
D448,037 S * 9/2001 Westimayer et al. D15/31
D460,087 S * 7/2002 Crookes et al. D15/28

1 Claim, 7 Drawing Sheets



(56)

References Cited

U.S. PATENT DOCUMENTS

D594,038 S * 6/2009 Shimomura D15/31
D596,205 S * 7/2009 Kawashiri et al. D15/31
D602,507 S * 10/2009 Kushita D15/31
D605,669 S * 12/2009 Matsumoto et al. D15/31
D611,963 S * 3/2010 Kuwae et al. D15/31

D642,597 S * 8/2011 Krogh et al. D15/31
D642,598 S * 8/2011 Wikner et al. D15/31
D655,317 S * 3/2012 Hagele et al. D15/31
D655,318 S * 3/2012 Hagele et al. D15/31
D655,319 S * 3/2012 Hagele et al. D15/31
D690,327 S * 9/2013 Kim et al. D15/31
D690,328 S * 9/2013 Cha et al. D15/31

* cited by examiner

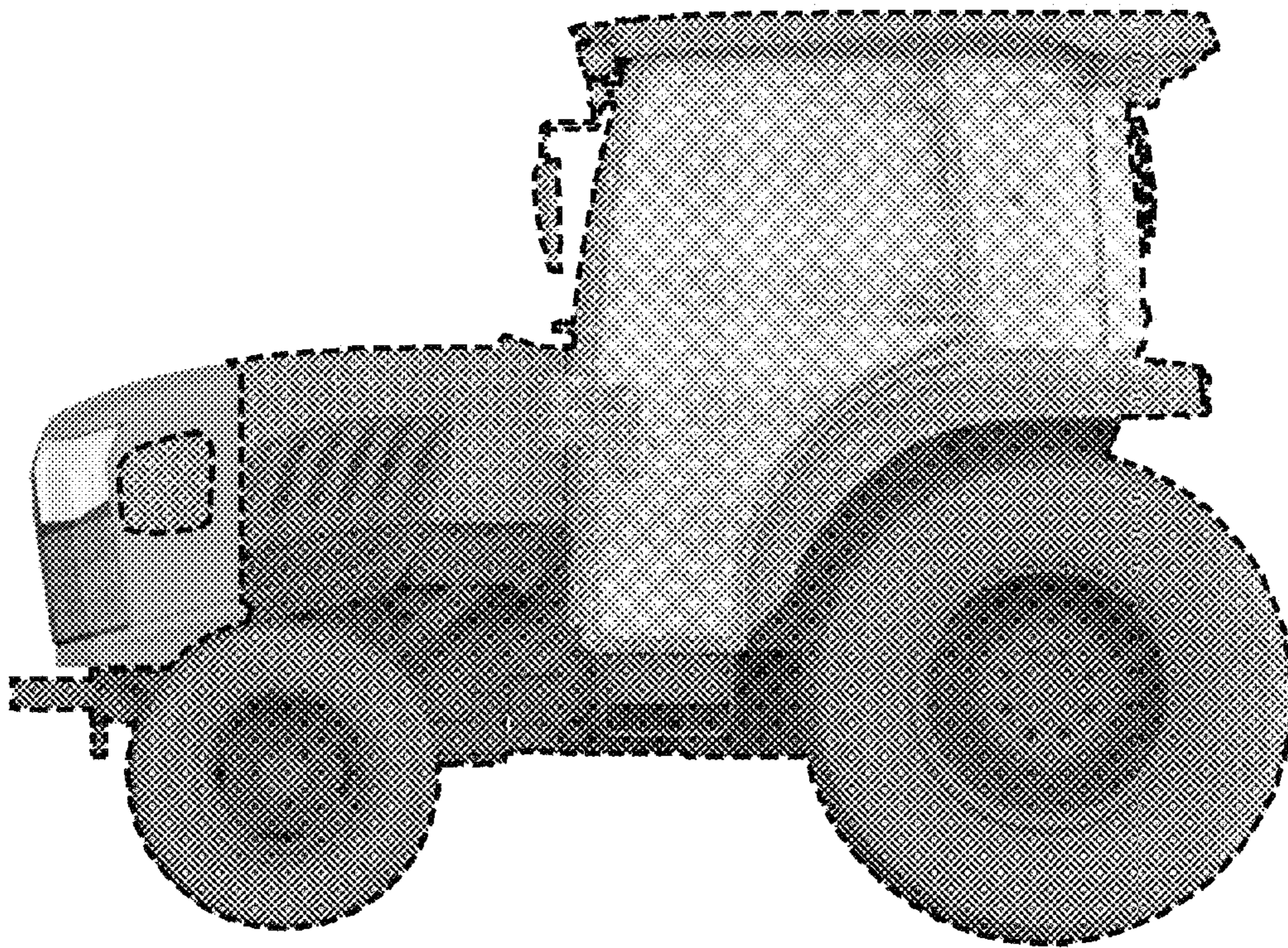


FIG. 1

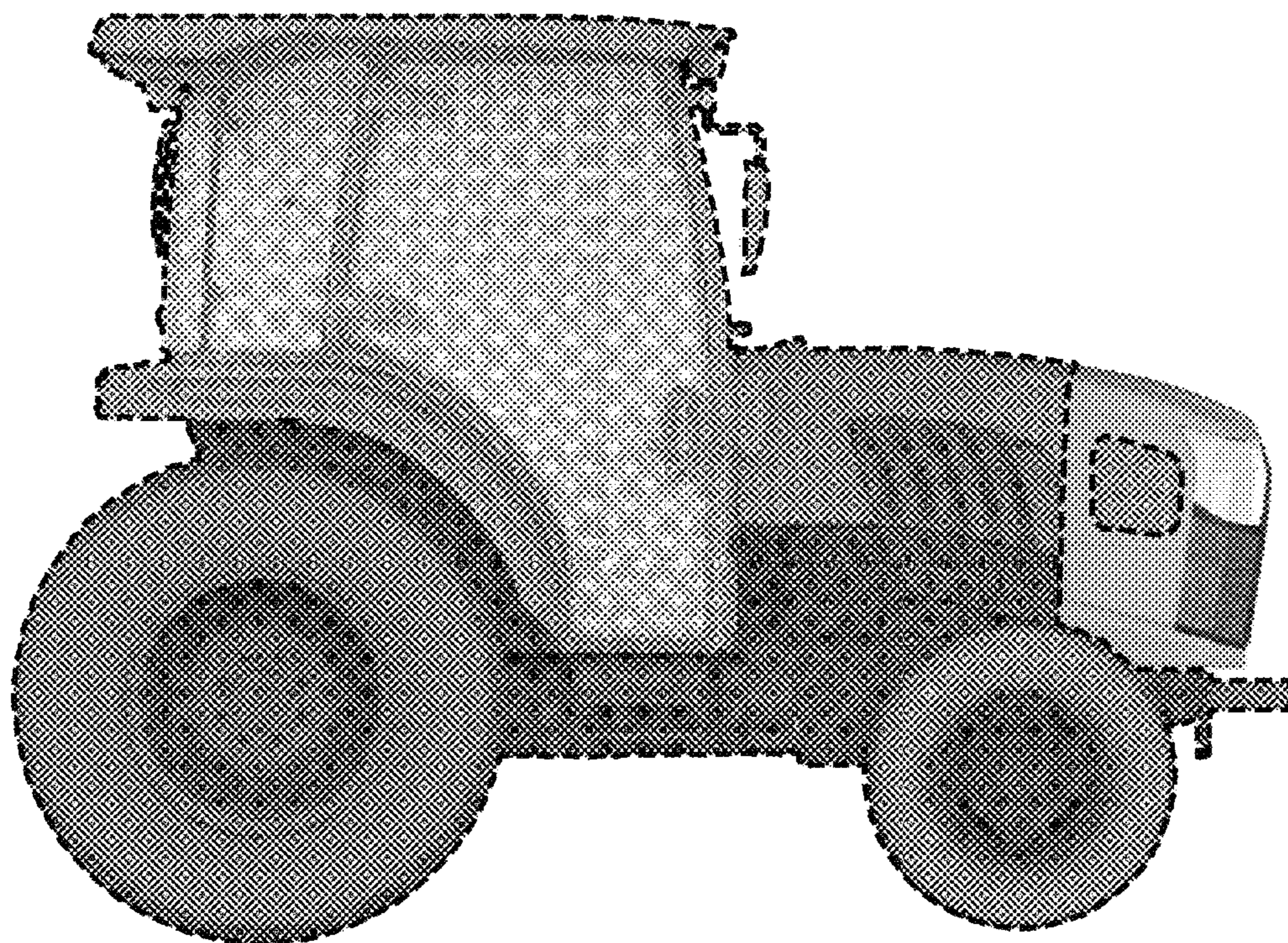


FIG. 2

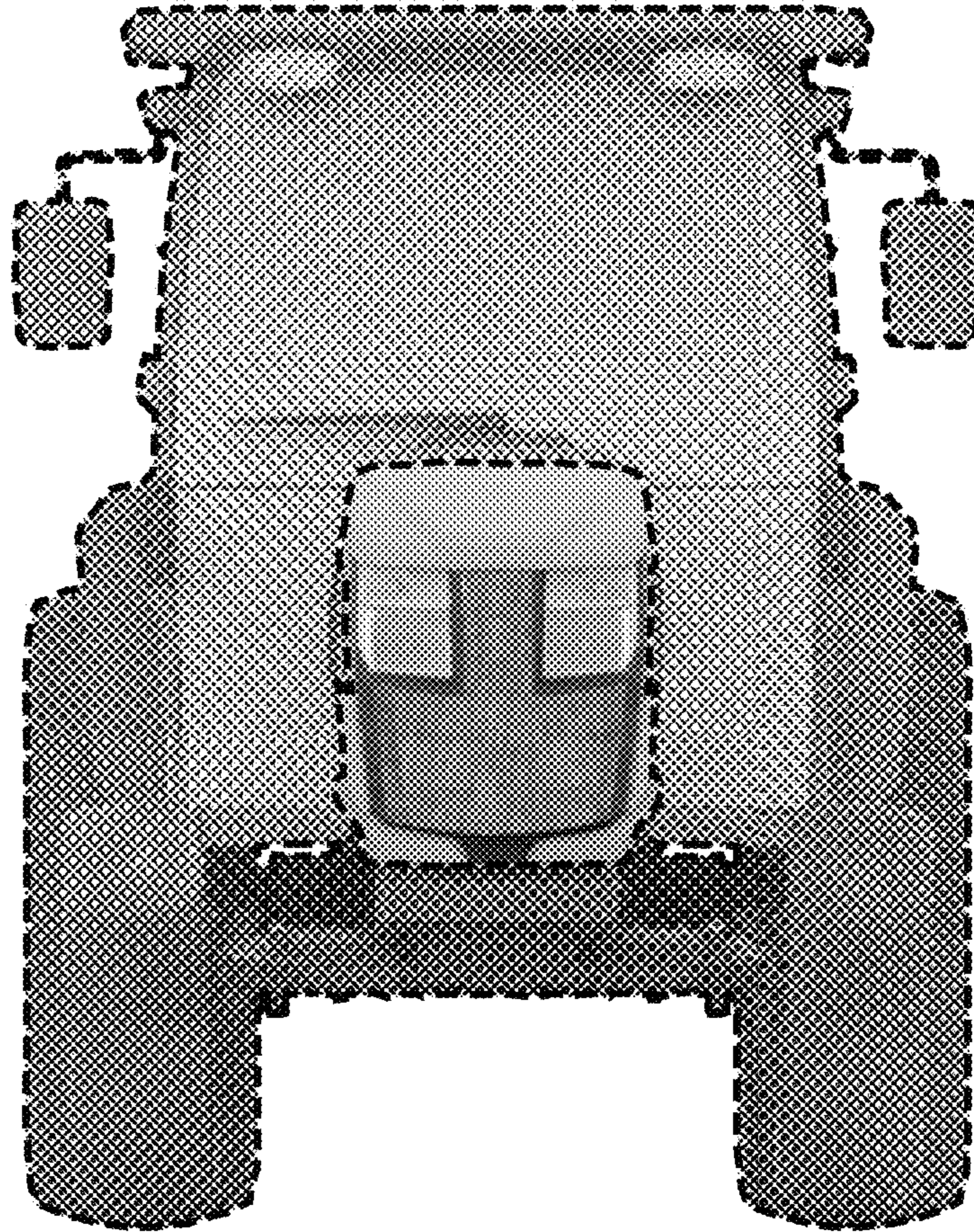


FIG. 3

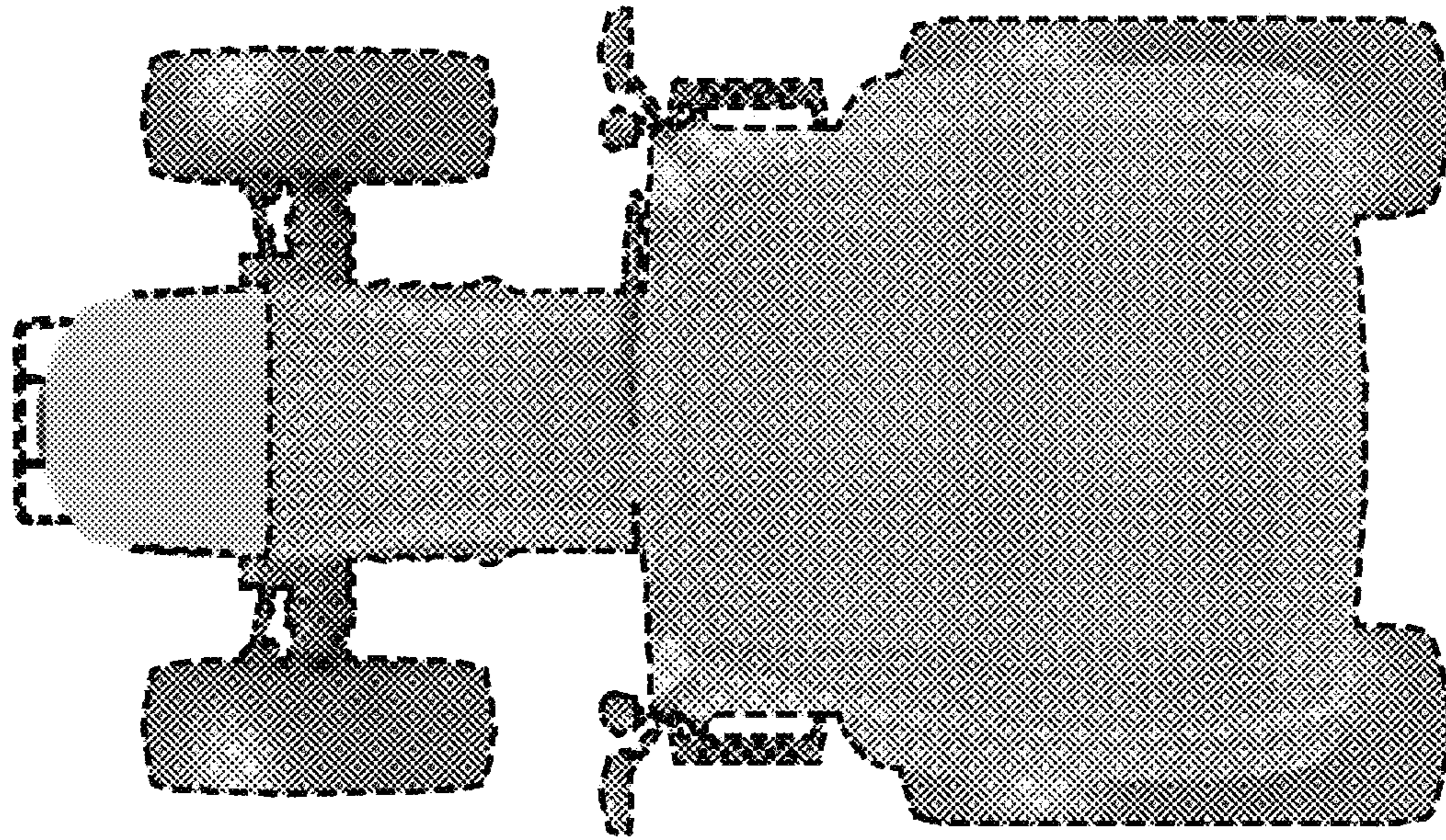


FIG. 4

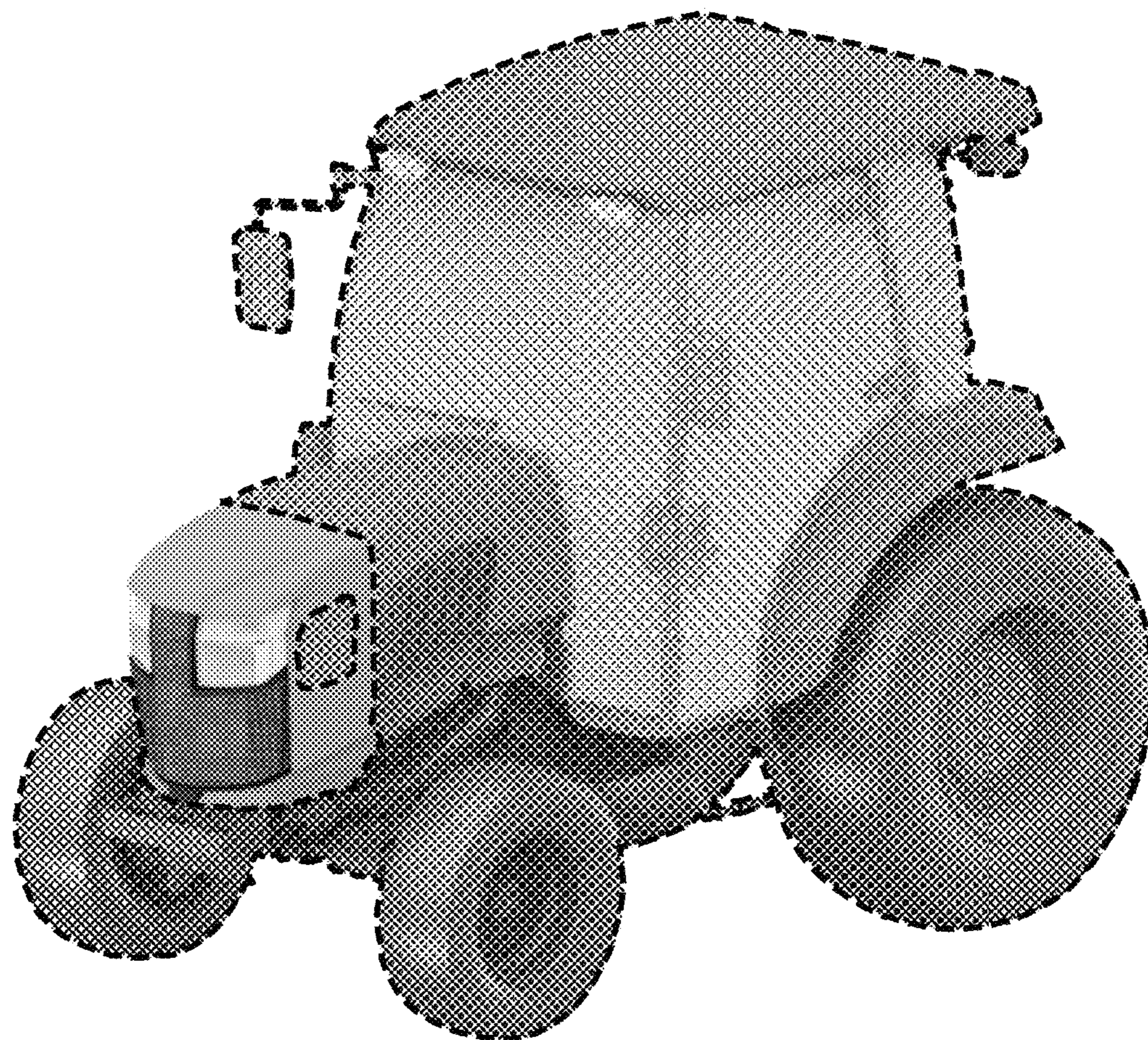


FIG. 5

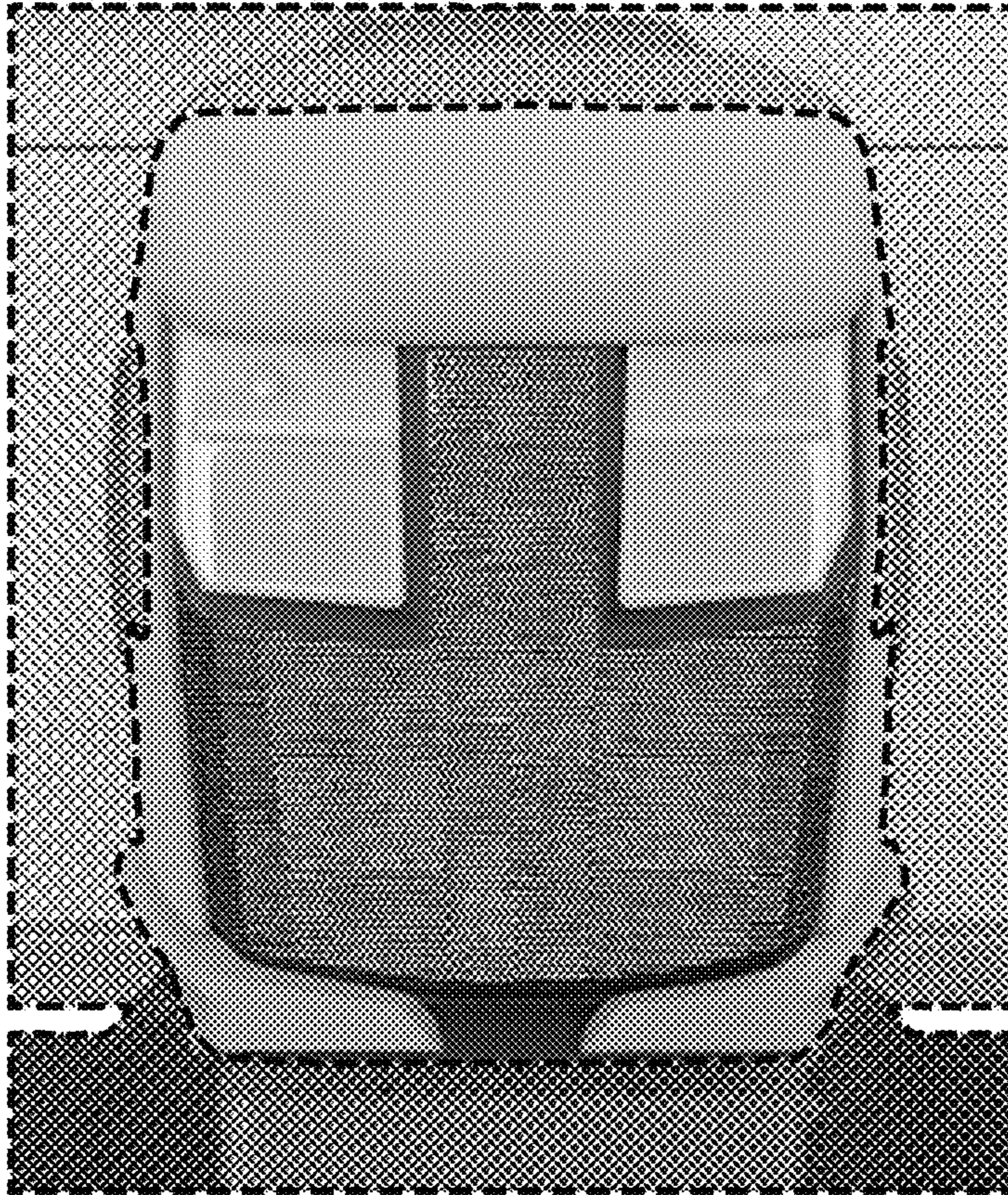


FIG. 6

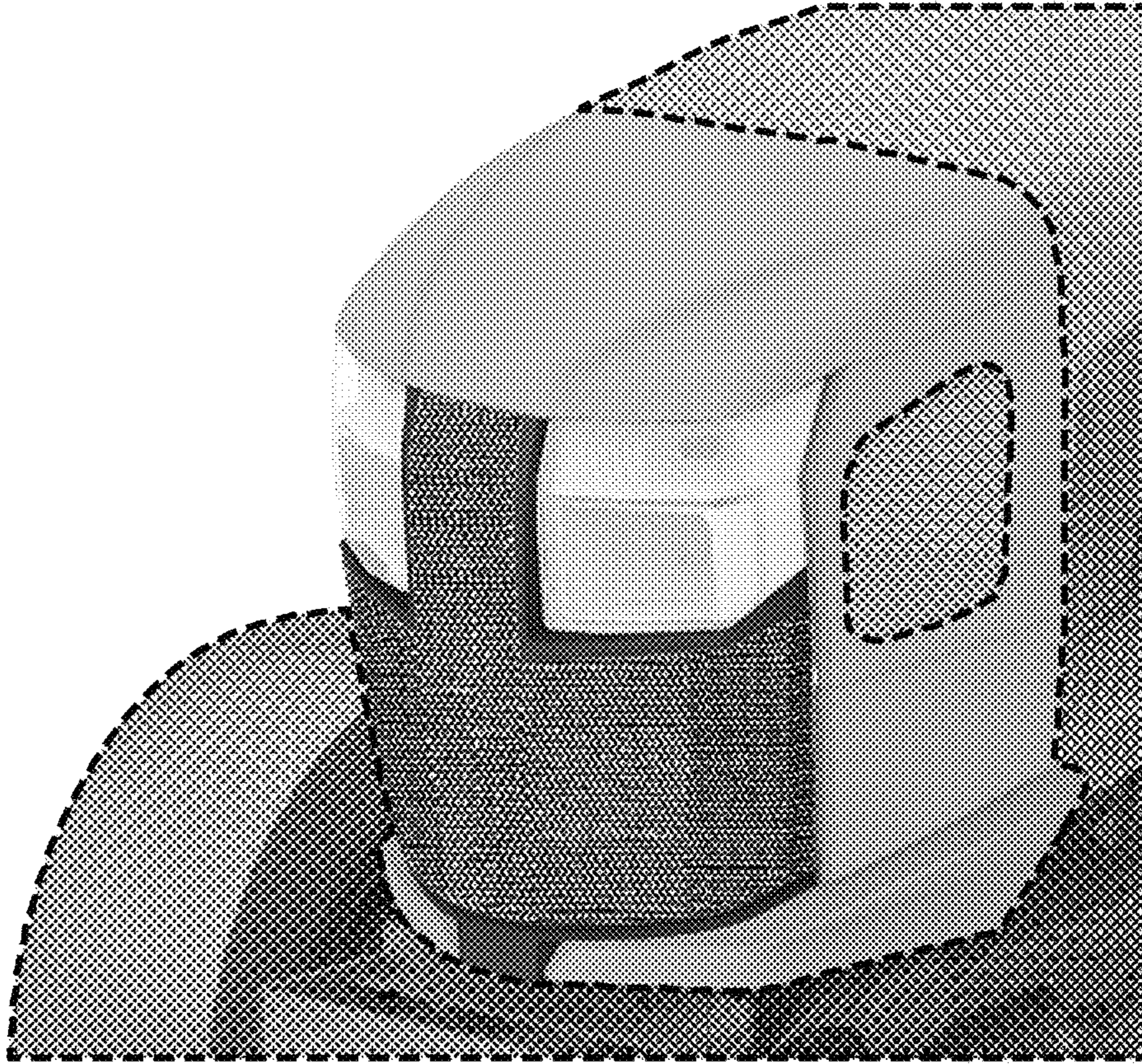


FIG. 7