



US00D709527S

(12) **United States Design Patent**
Meyer et al.

(10) **Patent No.:** **US D709,527 S**
(45) **Date of Patent:** **** Jul. 22, 2014**

(54) **UNDERCARRIAGE TRACK IDLER FOR MOBILE EARTHMOVING MACHINE**

(75) Inventors: **Robert L. Meyer**, Metamora, IL (US);
Gregory J. Kaufmann, Metamora, IL (US)

(73) Assignee: **Caterpillar Inc.**, Peoria, IL (US)

(**) Term: **14 Years**

(21) Appl. No.: **29/426,074**

(22) Filed: **Jun. 29, 2012**

(51) **LOC (10) Cl.** **15-03**

(52) **U.S. Cl.**
USPC **D15/28**

(58) **Field of Classification Search**
USPC D15/28; D12/210, 212; 152/453, 523,
152/28.1, 29 B, 29 R, 29 NT, 29 WT, 29 D;
305/136; 301/37 R, 37 P, 37 TC, 65
See application file for complete search history.

(56) **References Cited**

U.S. PATENT DOCUMENTS

2,463,226	A *	3/1949	Walden	152/47
2,911,252	A *	11/1959	Templeton	295/11
3,771,843	A *	11/1973	Clasper et al.	474/187
4,241,956	A *	12/1980	Meisel, Jr.	305/181
4,257,653	A	3/1981	Meisel, Jr. et al.	
4,514,014	A	4/1985	Balzer et al.	
D298,540	S *	11/1988	Grawey et al.	D15/28
D298,632	S	11/1988	Grawey et al.	
5,725,292	A	3/1998	Keedy et al.	
5,829,849	A	11/1998	Lawson	
6,012,784	A	1/2000	Oertley	
6,120,405	A	9/2000	Oertley et al.	
6,220,378	B1	4/2001	Oertley et al.	
6,250,726	B1	6/2001	Burdick et al.	
6,454,366	B1	9/2002	Egle	
6,527,347	B2	3/2003	Brawley et al.	
6,536,851	B2	3/2003	Grob et al.	

6,631,961	B1	10/2003	Bedford et al.	
6,669,312	B2 *	12/2003	Smith et al.	305/136
6,739,678	B2 *	5/2004	Moebs et al.	305/136
7,237,631	B2	7/2007	Livesay et al.	
7,252,348	B2 *	8/2007	Gingras	305/136
7,905,559	B2	3/2011	Angot et al.	
2009/0121542	A1	5/2009	Grawey et al.	
2010/0133898	A1	6/2010	Grawey et al.	
2010/0156169	A1	6/2010	Angot et al.	
2012/0153714	A1	6/2012	Yelistratov	
2012/0193980	A1	8/2012	Diekevers et al.	
2012/0228926	A1 *	9/2012	Bair	305/136

OTHER PUBLICATIONS

Caterpillar, "Cat® Enhanced Sealed and Lubricated Track (SALT) Undercarriage," © 2011.
Caterpillar, "Cat® Undercarriage Assurance Programs," © 2010.
Caterpillar, "Cat® Undercarriage," © 2011.
Caterpillar, "Cat® SystemOne™ Undercarriage for Cat® Machines," © 2009.
Caterpillar, "Undercarriage System and Components," © 2007.

(Continued)

Primary Examiner — Mark Goodwin

(74) *Attorney, Agent, or Firm* — SAIDMAN DesignLaw Group

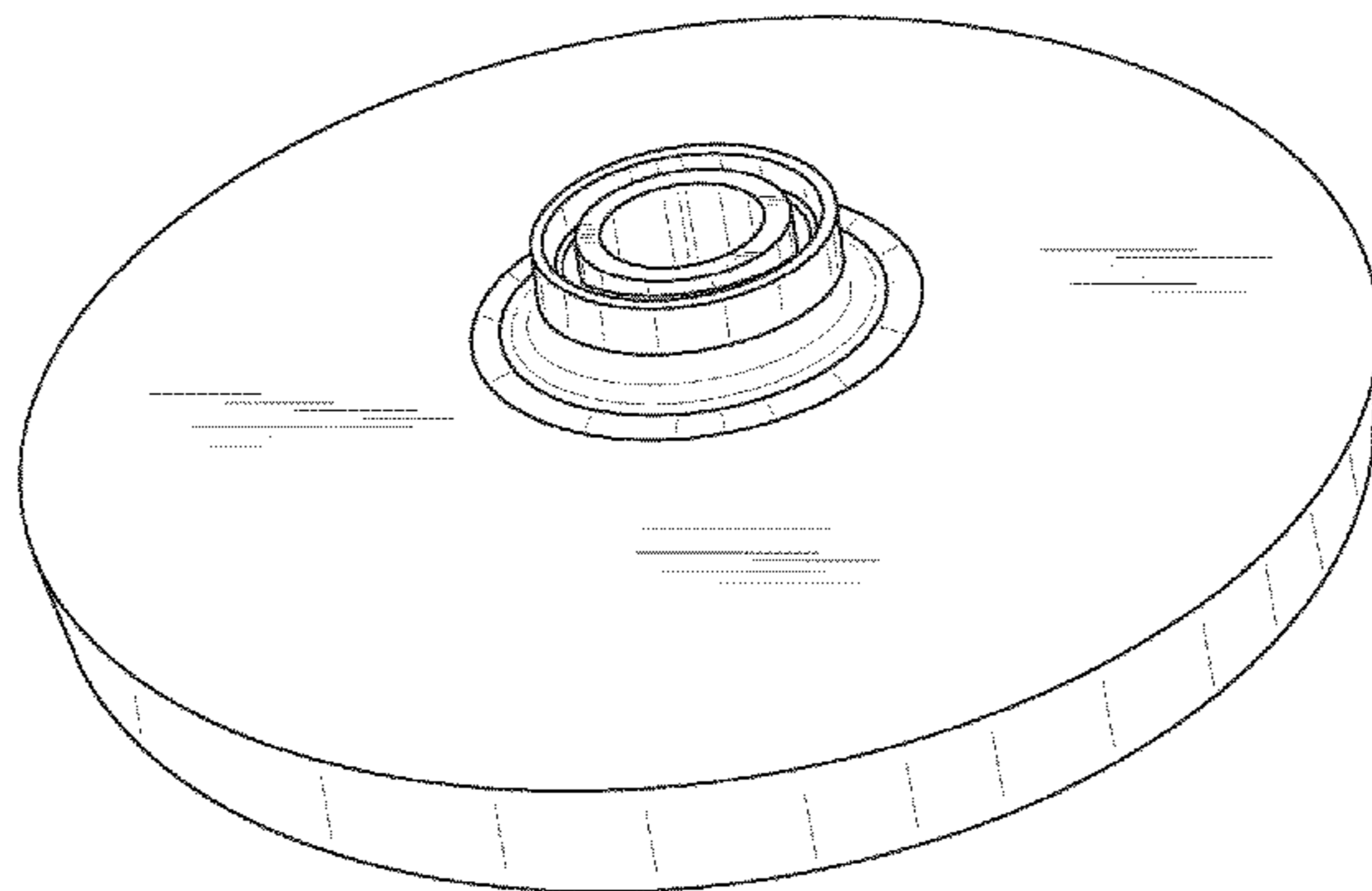
(57) **CLAIM**

The ornamental design for an undercarriage track idler for mobile earthmoving machine, as shown and described.

DESCRIPTION

FIG. 1 is a perspective view of an undercarriage track idler for mobile earthmoving machine showing our new design;
FIG. 2 is a front view thereof;
FIG. 3 is a right side view thereof, the top and bottom views being identical;
FIG. 4 is a left side view thereof; and,
FIG. 5 is a rear view thereof.

1 Claim, 4 Drawing Sheets



(56)

References Cited

OTHER PUBLICATIONS

U.S. Appl. No. 29/426,112, entitled "Undercarriage Track Component for Mobile Earthmoving Machine," filed Jun. 29, 2012.

U.S. Appl. No. 61/666,581, entitled "Dual Disk Idler for a Machine Undercarriage," filed Jun. 29, 2012.

U.S. Appl. No. 61/666,538, entitled "Track Idler," filed Jun. 29, 2012.

U.S. Appl. No. 61/666,575, entitled "Idler for a Machine Undercarriage," filed Jun. 29, 2012.

* cited by examiner

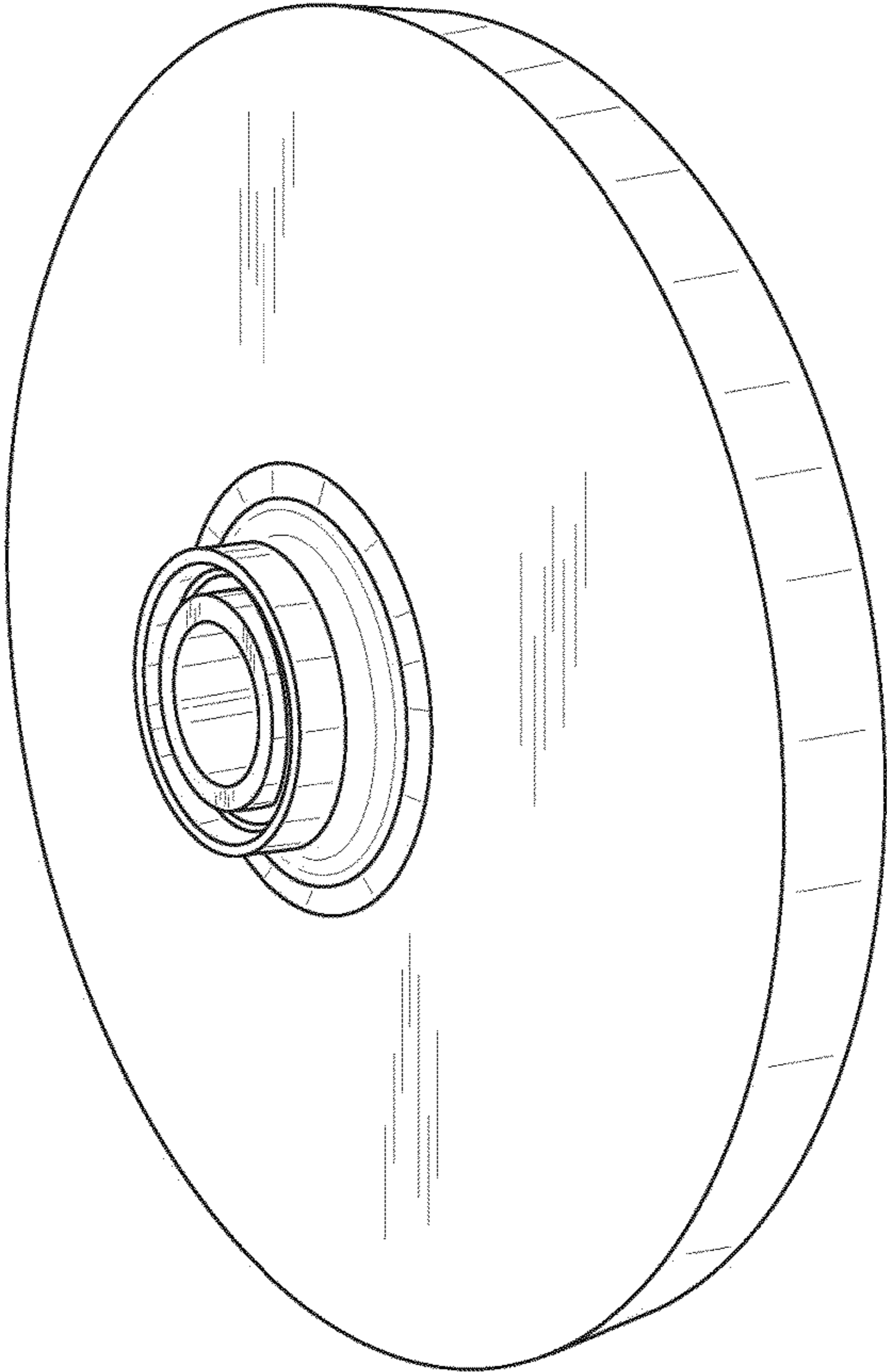


FIG. 1

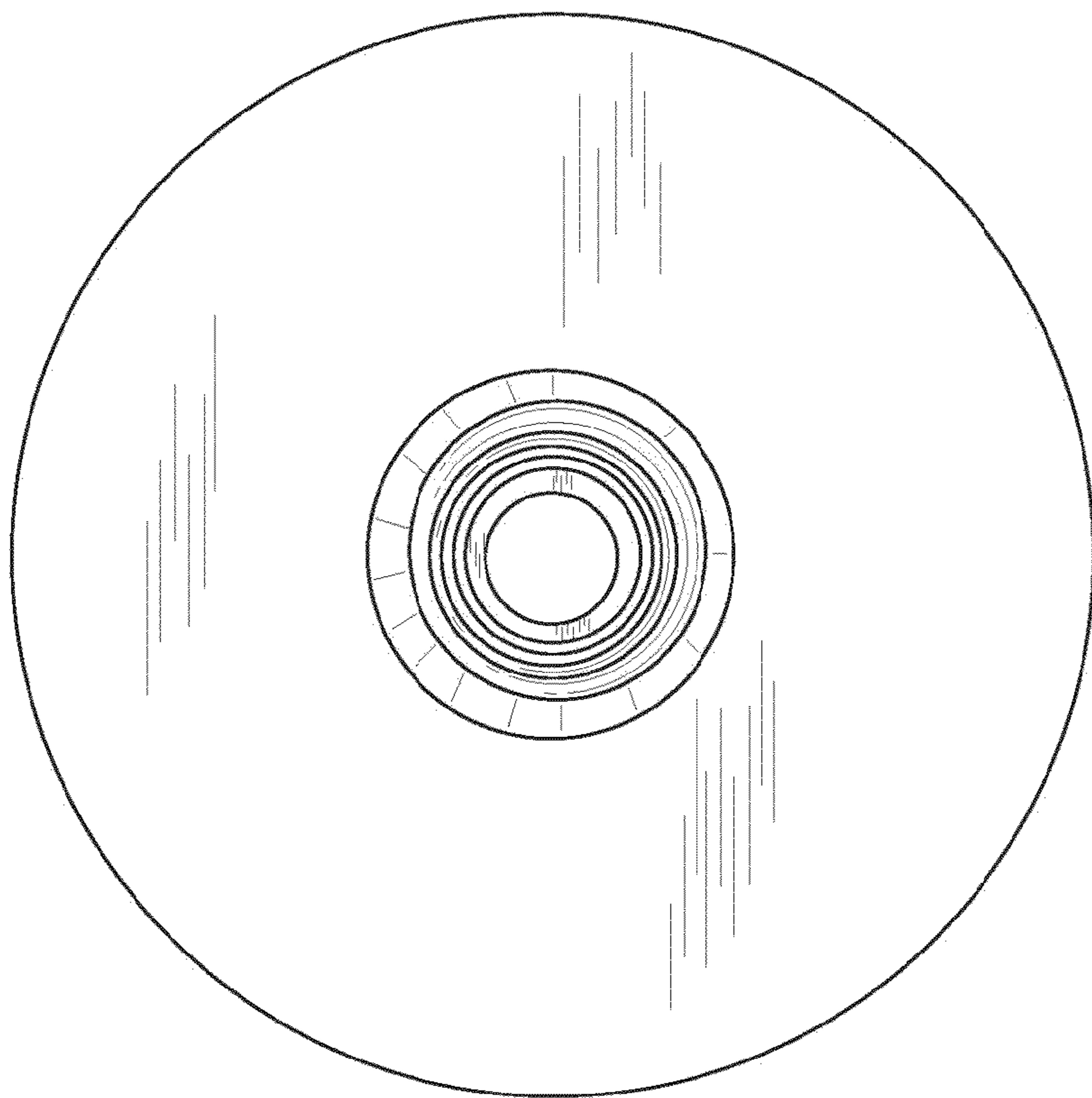


FIG. 2

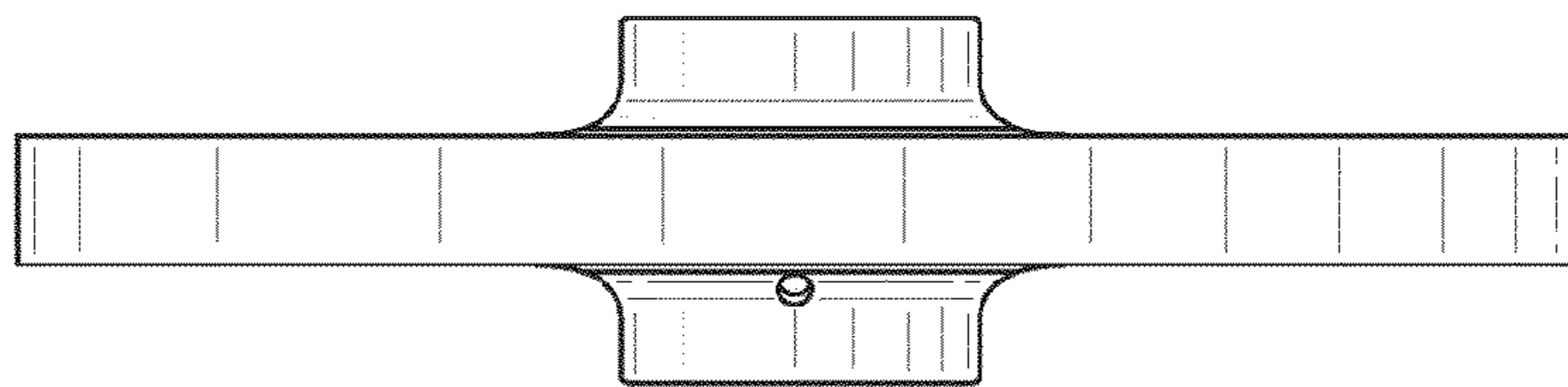


FIG. 4

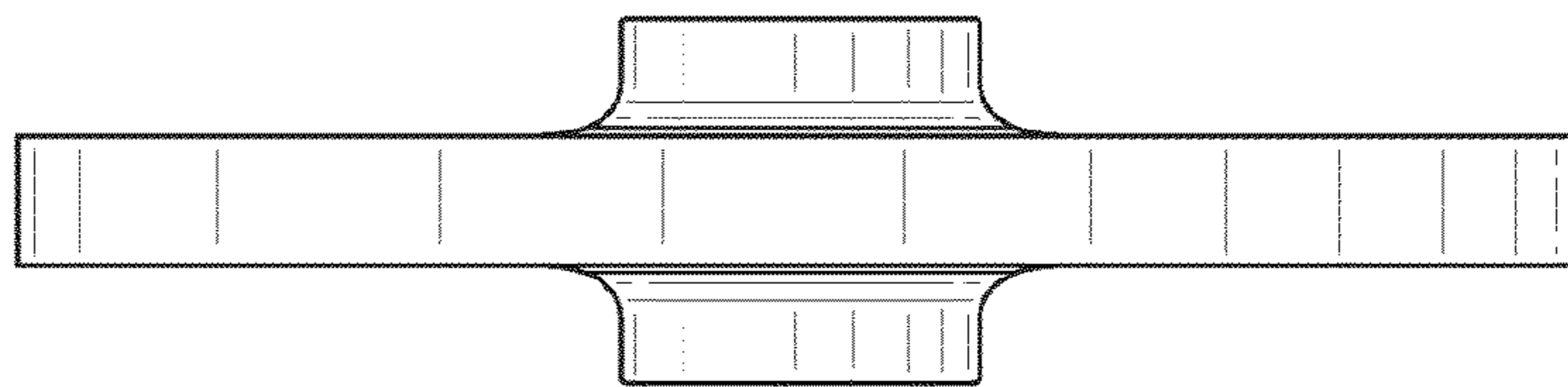


FIG. 3

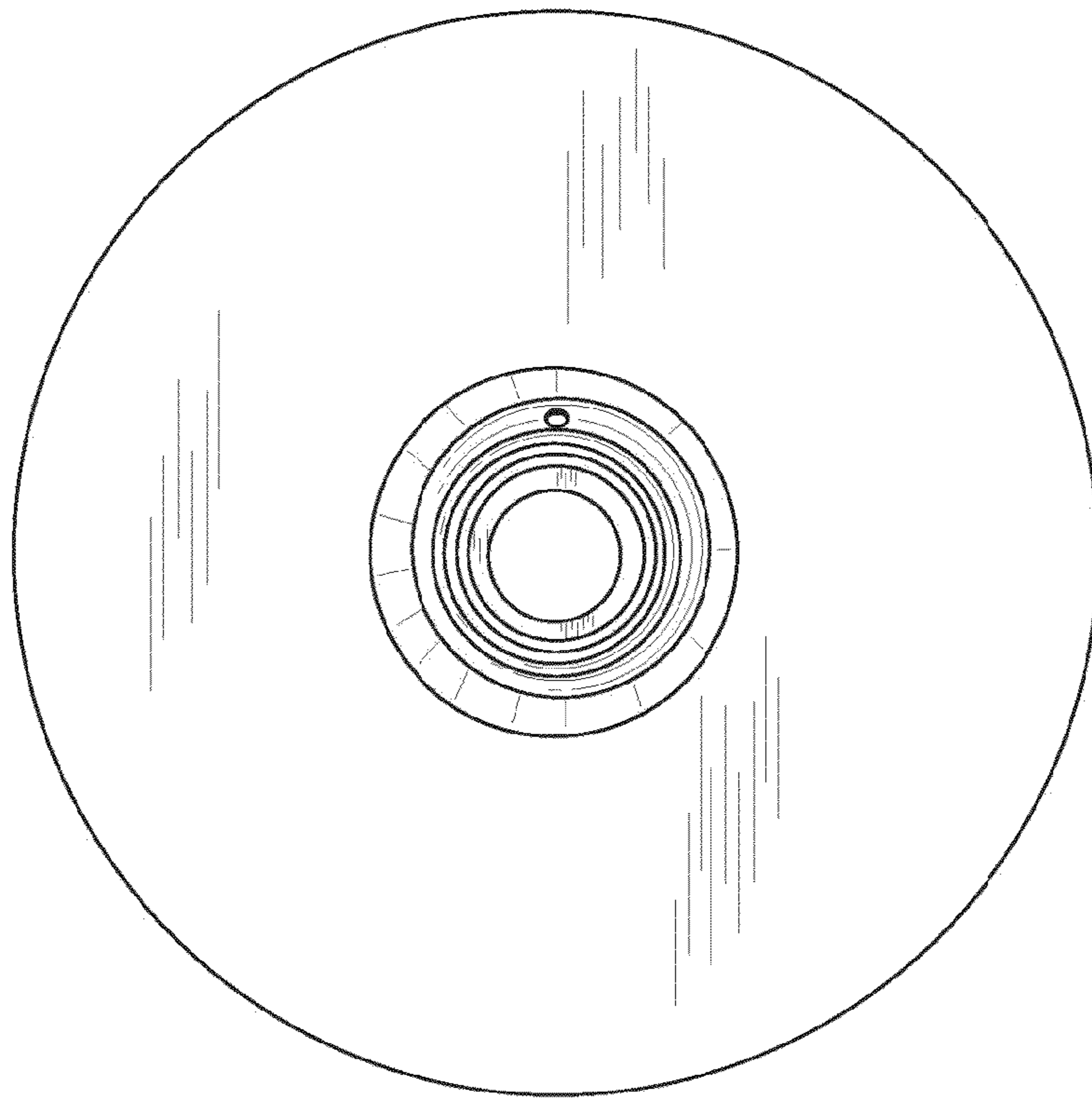


FIG. 5