



US00D709526S

(12) **United States Design Patent**  
**Hutchinson et al.**

(10) **Patent No.:** **US D709,526 S**  
(45) **Date of Patent:** **\*\* Jul. 22, 2014**

(54) **HYDRAULIC BREAKER VEHICLE**

(71) Applicant: **Company Wrench, Ltd.**, Carroll, OH (US)

(72) Inventors: **Brad Hutchinson**, Lancaster, OH (US);  
**Eric Thornton**, Lancaster, OH (US)

(73) Assignee: **Company Wrench, Ltd.**, Carroll, OH (US)

(\*\*) Term: **14 Years**

(21) Appl. No.: **29/455,172**

(22) Filed: **May 17, 2013**

(51) **LOC (10) Cl.** ..... **12-09**

(52) **U.S. Cl.**  
USPC ..... **D15/24; D15/22**

(58) **Field of Classification Search**  
CPC ..... E02F 3/966; E02F 3/2228; E02F 3/2296;  
E02F 3/2292; E02F 3/2285; E04G 23/08  
USPC ..... D15/10, 22-26; 37/403, 411, 443, 414,  
37/685, 686, 688; 180/89.13; 241/101.73,  
241/266; 173/43  
See application file for complete search history.

(56) **References Cited**

**U.S. PATENT DOCUMENTS**

D273,384	S *	4/1984	Nasu et al.	.....	D15/24
5,222,563	A *	6/1993	Van Horlick	.....	172/111
5,273,217	A *	12/1993	Bartels et al.	.....	241/30
D391,272	S *	2/1998	Jin et al.	.....	D15/25
D406,152	S *	2/1999	Miyaoka et al.	.....	D15/25
D437,602	S *	2/2001	Hiraoka et al.	.....	D15/25
6,227,307	B1 *	5/2001	Lee	.....	173/78
6,321,854	B1 *	11/2001	Bisutti	.....	173/206
6,430,849	B1 *	8/2002	Underwood	.....	37/403

D462,974	S *	9/2002	Yanagida et al.	.....	D15/25
6,568,615	B2 *	5/2003	Klemm	.....	241/101.73
7,257,910	B2 *	8/2007	Underwood	.....	37/403
D658,211	S *	4/2012	Hiraoka et al.	.....	D15/25
D663,324	S *	7/2012	Fuchita et al.	.....	D15/25
8,387,289	B2 *	3/2013	Hanakawa et al.	.....	37/348
D682,322	S *	5/2013	Suzuki	.....	D15/25
2002/0008169	A1 *	1/2002	Klemm	.....	241/101.73
2004/0244234	A1 *	12/2004	Underwood	.....	37/403
2006/0272184	A1 *	12/2006	Underwood	.....	37/403
2009/0132131	A1 *	5/2009	Takeda et al.	.....	701/50
2011/0315415	A1 *	12/2011	Nishikawa et al.	.....	173/47
2012/0067606	A1 *	3/2012	Lee et al.	.....	173/201
2012/0145422	A1 *	6/2012	Nickels et al.	.....	173/46
2012/0145424	A1 *	6/2012	Nickels et al.	.....	173/90

\* cited by examiner

*Primary Examiner* — Mark Goodwin

(74) *Attorney, Agent, or Firm* — Roger A. Gilcrest

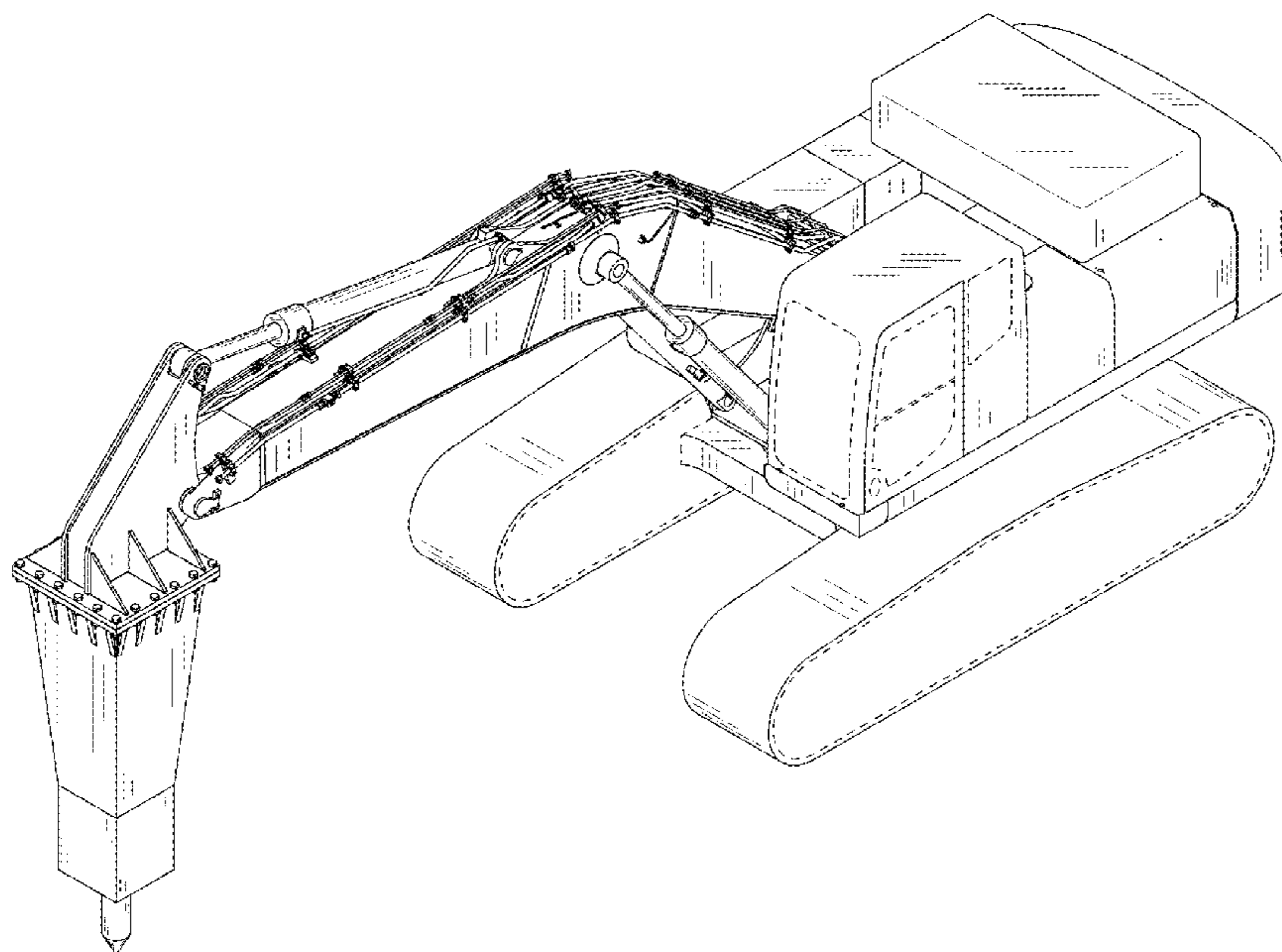
(57) **CLAIM**

The ornamental design for a hydraulic breaker vehicle, as shown and described.

**DESCRIPTION**

FIG. 1 is an upper first side perspective view of a hydraulic breaker vehicle showing our new design; FIG. 2 is a first side elevation view thereof; FIG. 3 is a second side elevation view thereof, opposite said first side; FIG. 4 is a front elevation view thereof; FIG. 5 is a rear elevation view thereof; FIG. 6 is a top plan view thereof; and, FIG. 7 is a bottom plan view thereof. The broken line showing of the windows and track features is included for the purpose of illustrating portions of the hydraulic breaker vehicle and forms no part of the claimed design.

**1 Claim, 6 Drawing Sheets**



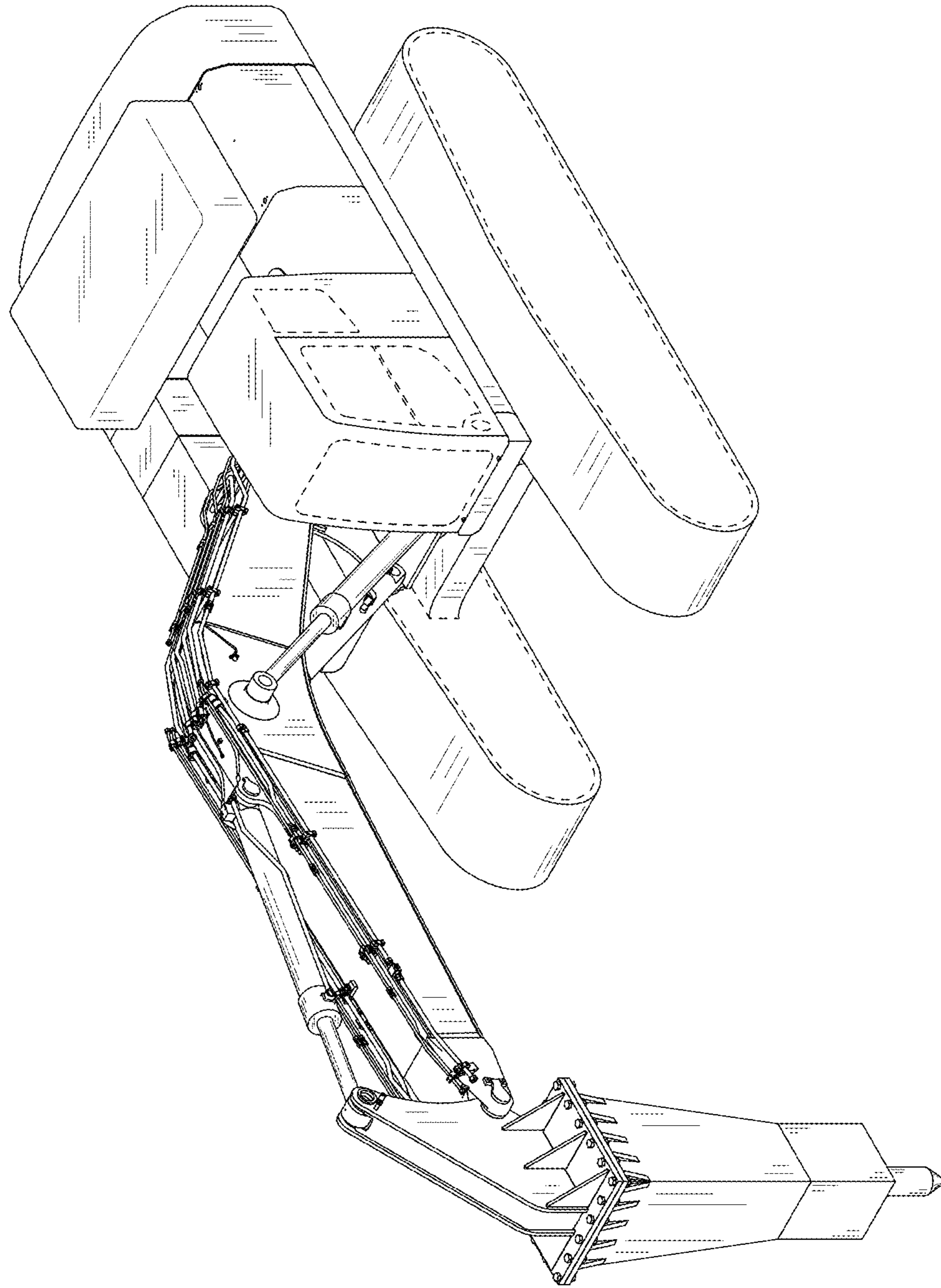


FIG. 1

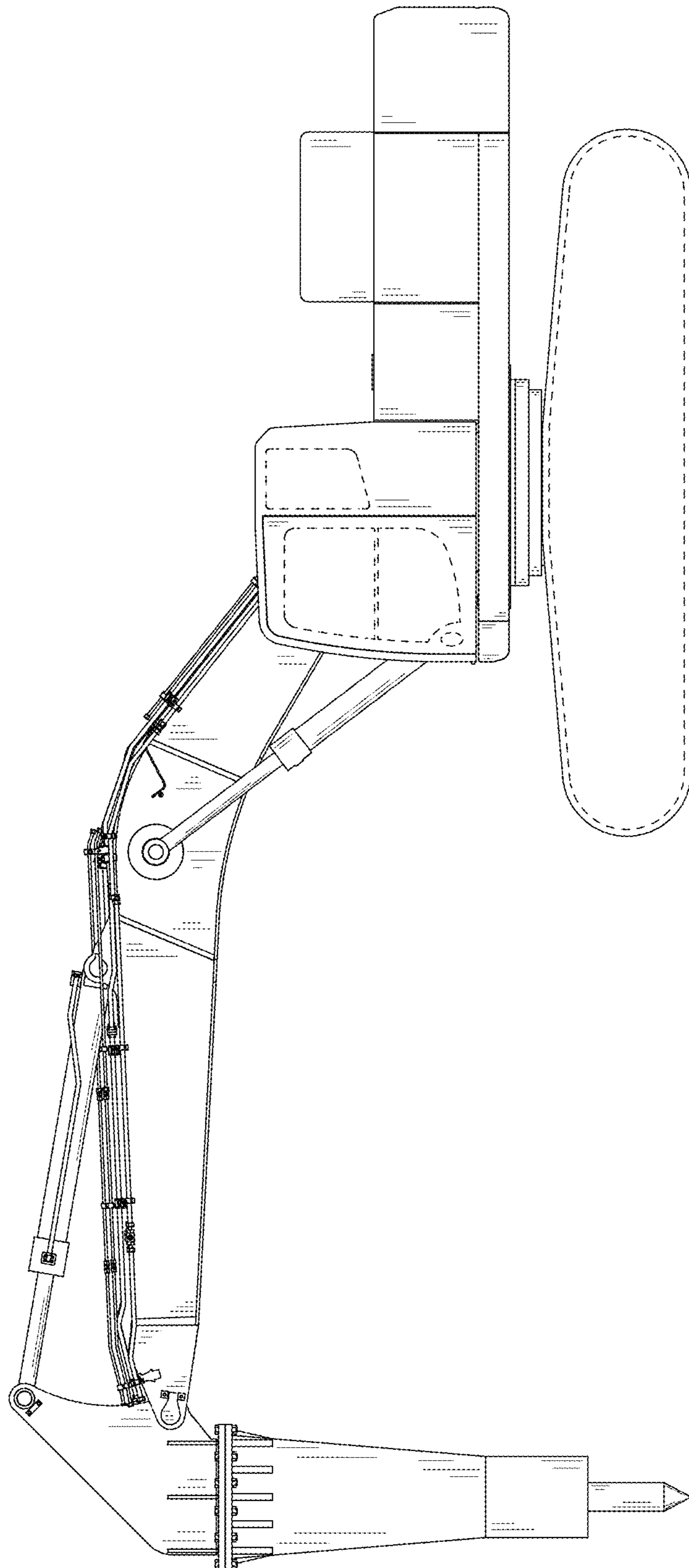


FIG. 2

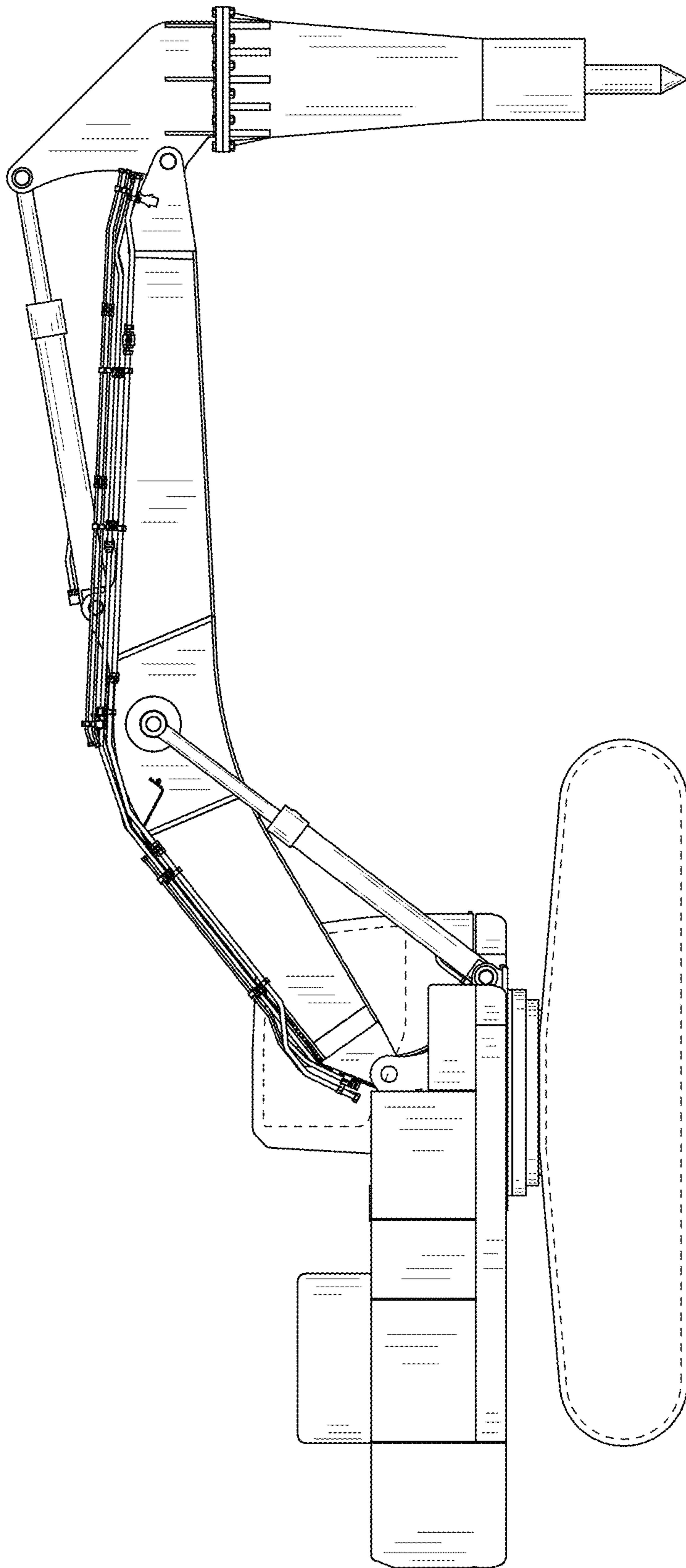


FIG. 3

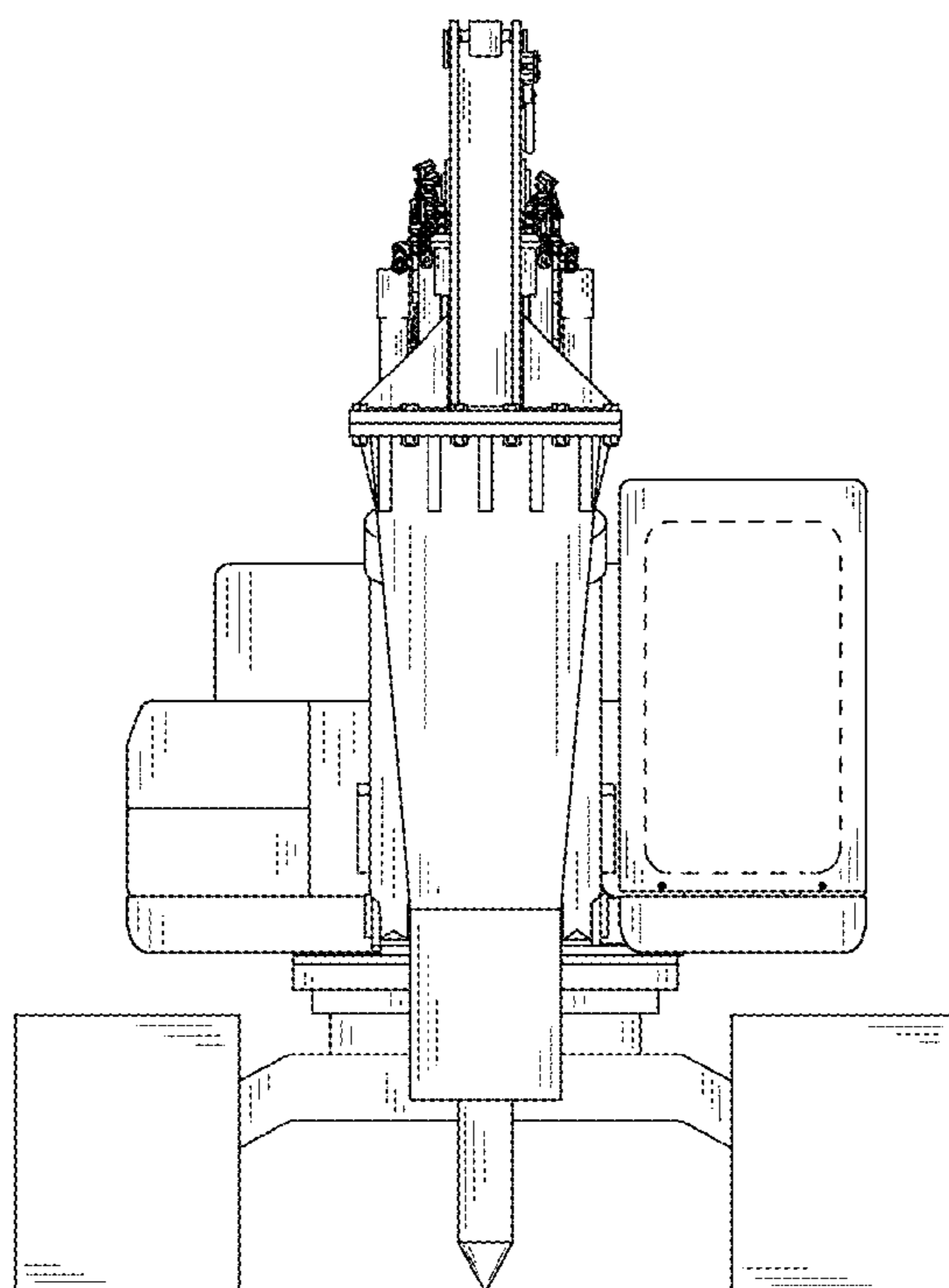


FIG. 4

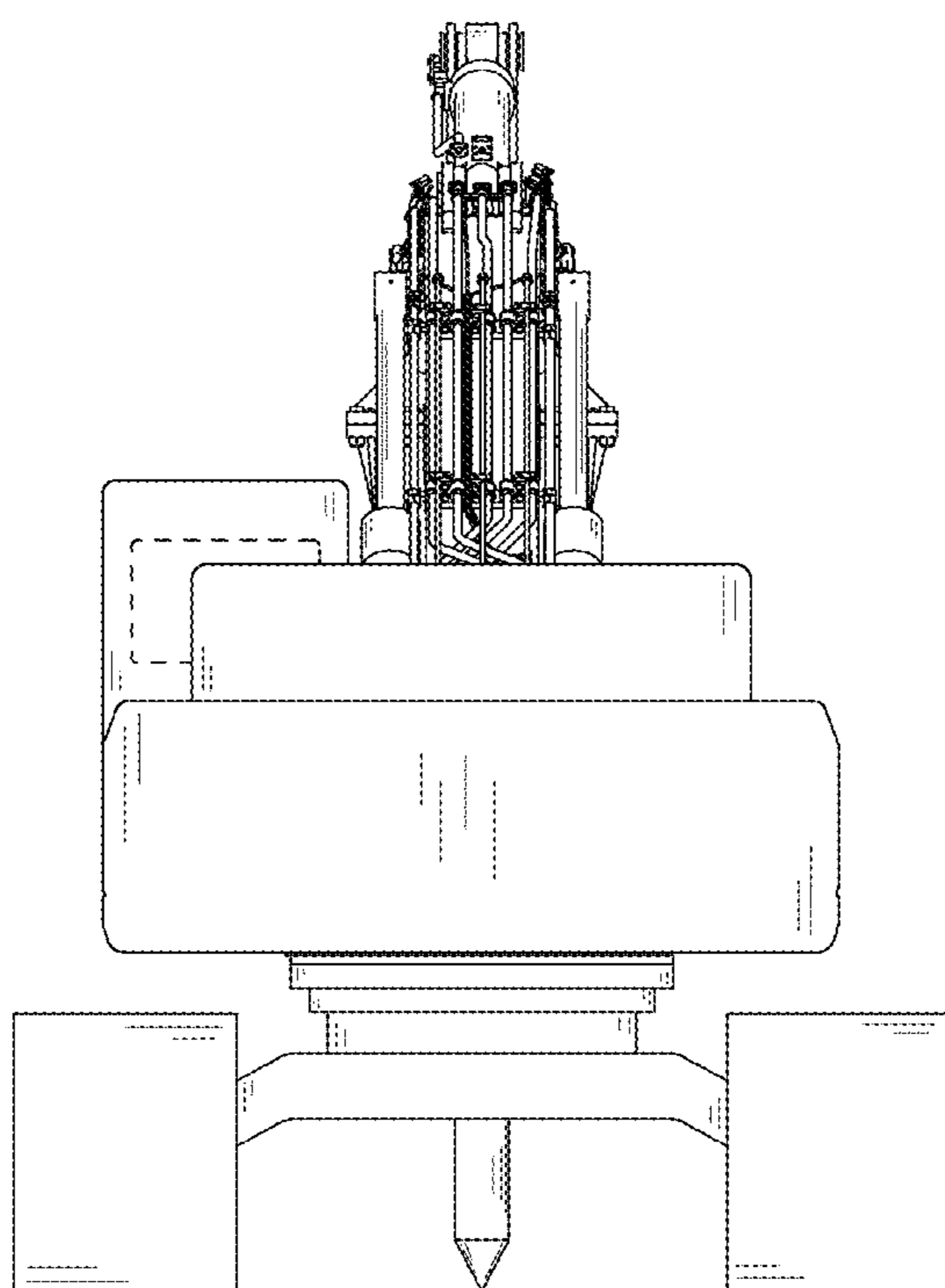


FIG. 5

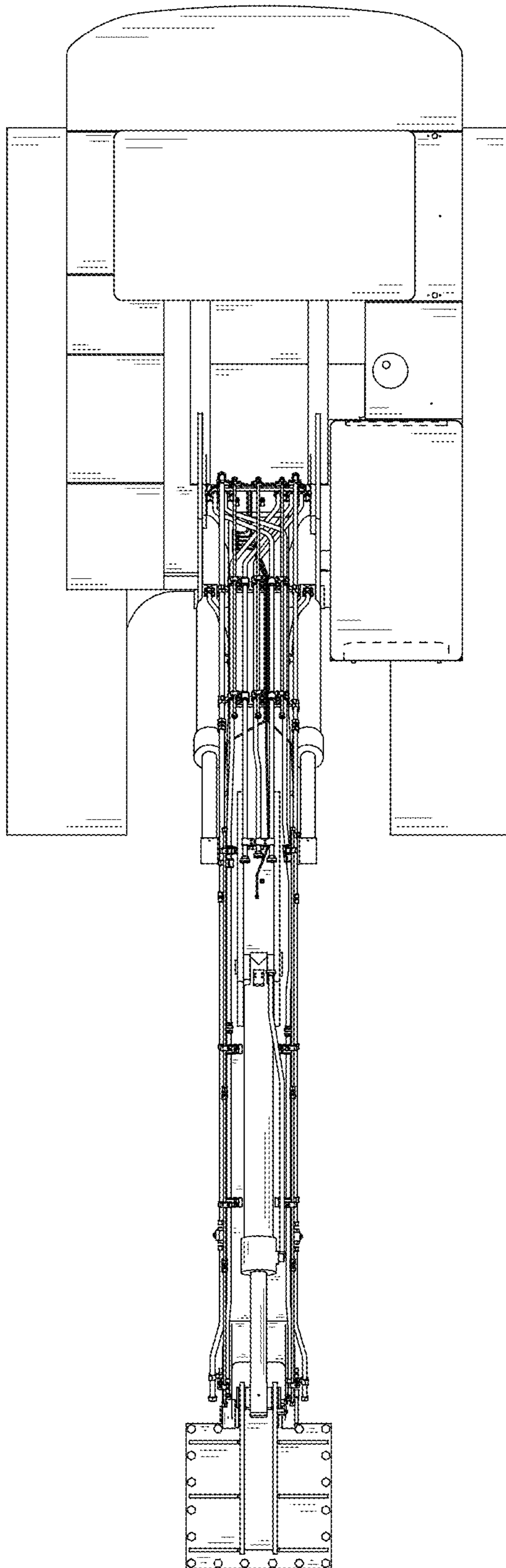


FIG. 6

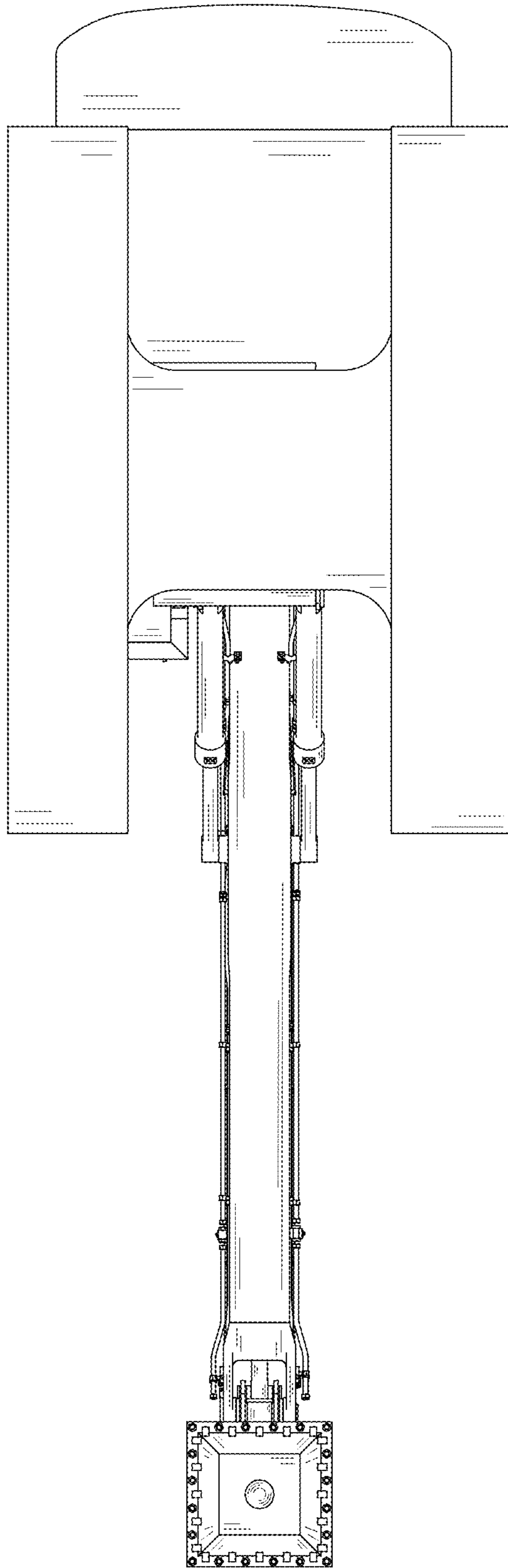


FIG. 7