



US00D709525S

(12) **United States Design Patent**
Poltorak

(10) **Patent No.:** **US D709,525 S**
(45) **Date of Patent:** **** Jul. 22, 2014**

- (54) **ADAPTABLE, DISPOSABLE GRASS CATCHING BAG FOR A LAWN MOWER**
- (71) Applicant: **Pawel A. Poltorak**, Franklin Park, IL (US)
- (72) Inventor: **Pawel A. Poltorak**, Franklin Park, IL (US)
- (**) Term: **14 Years**
- (21) Appl. No.: **29/447,239**
- (22) Filed: **Mar. 1, 2013**
- (51) **LOC (10) Cl.** **15-03**
- (52) **U.S. Cl.**
USPC **D15/17**
- (58) **Field of Classification Search**
USPC D15/17; D34/1, 5, 6; 248/97, 99, 100, 248/101
See application file for complete search history.

4,899,967 A *	2/1990	Johnson	248/97
4,901,959 A *	2/1990	Stage	248/97
D308,271 S *	5/1990	Vreeken	D34/6
D309,312 S *	7/1990	Hass	D15/17
4,989,400 A	2/1991	Wark		
D320,104 S *	9/1991	Allen	D34/5
D334,307 S *	3/1993	Lee	D6/462
D344,960 S *	3/1994	Patterson et al.	D15/17
D362,447 S *	9/1995	Lamb	D15/15
5,564,265 A	10/1996	Pitt		
5,673,544 A	10/1997	Voigt		
D392,981 S *	3/1998	Smith	D15/15
D434,538 S *	11/2000	Thompson	D32/37
D436,706 S *	1/2001	Clinton	D34/6
D447,491 S *	9/2001	Goebert et al.	D15/17
D450,716 S *	11/2001	Johnson et al.	D15/17
D489,768 S *	5/2004	Babineaux	D15/17
D494,985 S *	8/2004	Kim et al.	D15/17
6,810,652 B1	11/2004	Regalado		
D543,328 S *	5/2007	Kulkey	D34/6
D568,023 S *	4/2008	McConnell	D34/6
D644,669 S *	9/2011	Escobar	D15/28
D648,755 S *	11/2011	Lindmeyer	D15/17

(Continued)

Primary Examiner — Mark Goodwin

(74) *Attorney, Agent, or Firm* — Robert C. Montgomery; Montgomery Patent & Design

(56) **References Cited**
U.S. PATENT DOCUMENTS

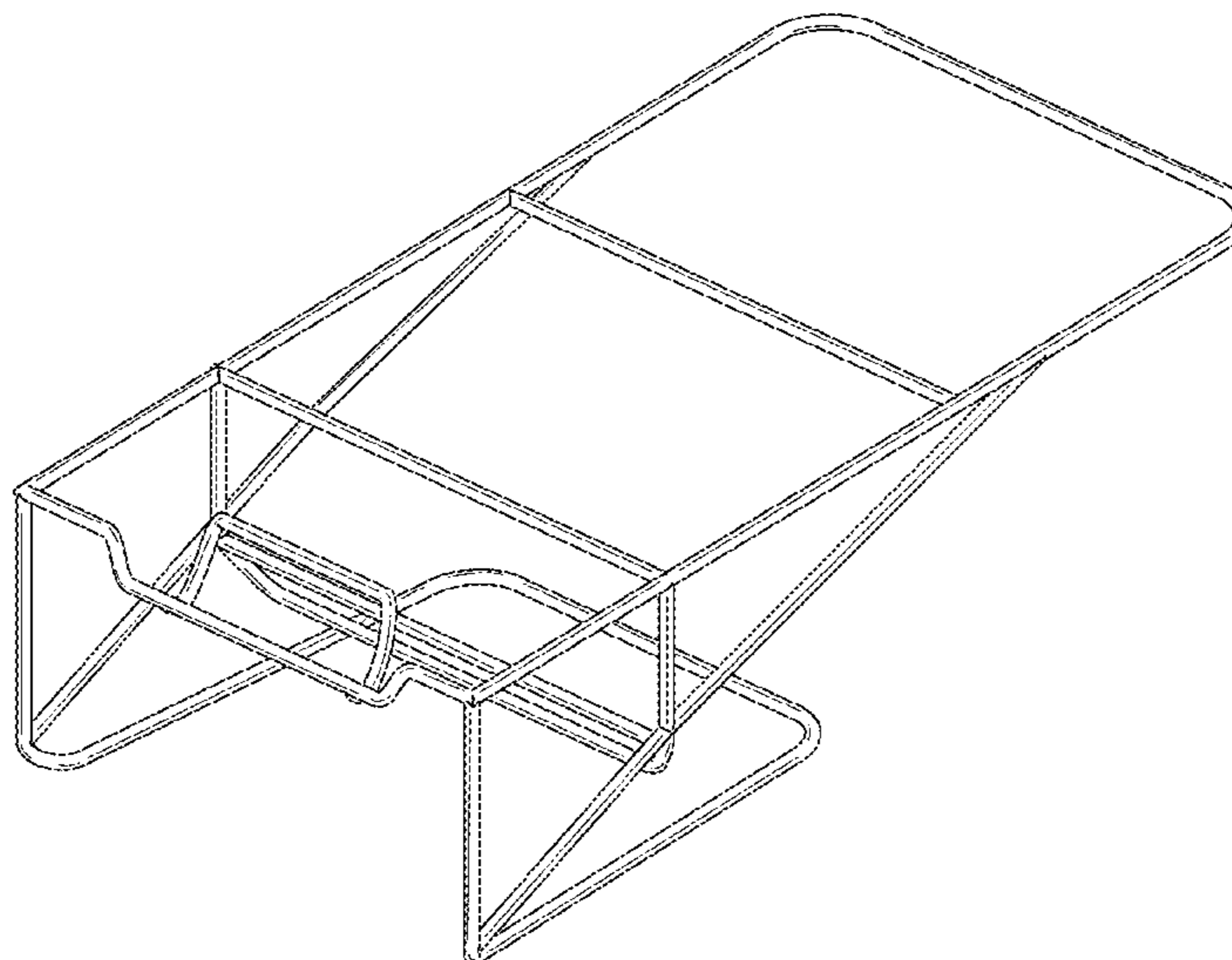
967,368 A *	8/1910	Grigsby	4/285
1,278,385 A *	9/1918	Rickard	248/94
1,550,708 A *	8/1925	Rozendal	47/47
2,496,757 A *	2/1950	Sieling	210/474
3,176,453 A *	4/1965	Booher et al.	56/202
3,212,248 A *	10/1965	Leader	56/202
D213,062 S *	12/1968	Leader	D15/17
D214,849 S *	8/1969	Barrett	D34/6
3,492,800 A	2/1970	Peterson et al.		
D228,009 S *	7/1973	Thorud	D15/17
3,777,461 A *	12/1973	Giraud	56/202
4,186,546 A	2/1980	Machado et al.		
D260,596 S *	9/1981	Vreeken	D34/6
D269,214 S *	5/1983	Martinez, Sr.	D34/6
4,598,536 A	7/1986	Langley		
D287,251 S *	12/1986	DiPaolo	D15/17
4,665,684 A *	5/1987	DiPaolo	56/202
4,760,983 A *	8/1988	McNerney	248/100
4,848,070 A	7/1989	Berglund		

(57) **CLAIM**
The ornamental design for an adaptable, disposable grass catching bag for a lawn mower, as shown and described.

DESCRIPTION

FIG. 1 is an isometric view of an adaptable, disposable grass catching bag for a lawn mower showing my new design;
FIG. 2 is a front view thereof;
FIG. 3 is a rear view thereof;
FIG. 4 is a left-hand side view thereof;
FIG. 5 is a right-hand sided view thereof;
FIG. 6 is a top view thereof; and,
FIG. 7 is bottom view thereof.

1 Claim, 6 Drawing Sheets



(56)

References Cited

U.S. PATENT DOCUMENTS

D656,965 S * 4/2012 Ortlund et al. D15/17
D657,520 S * 4/2012 Jachim D34/6
D665,550 S * 8/2012 Connor et al. D34/5

D668,828 S * 10/2012 Jachim D34/6
D681,688 S * 5/2013 Higashikawa D15/17
2007/0071365 A1 3/2007 Stevens et al.
2008/0264029 A1 10/2008 Sepaniak

* cited by examiner

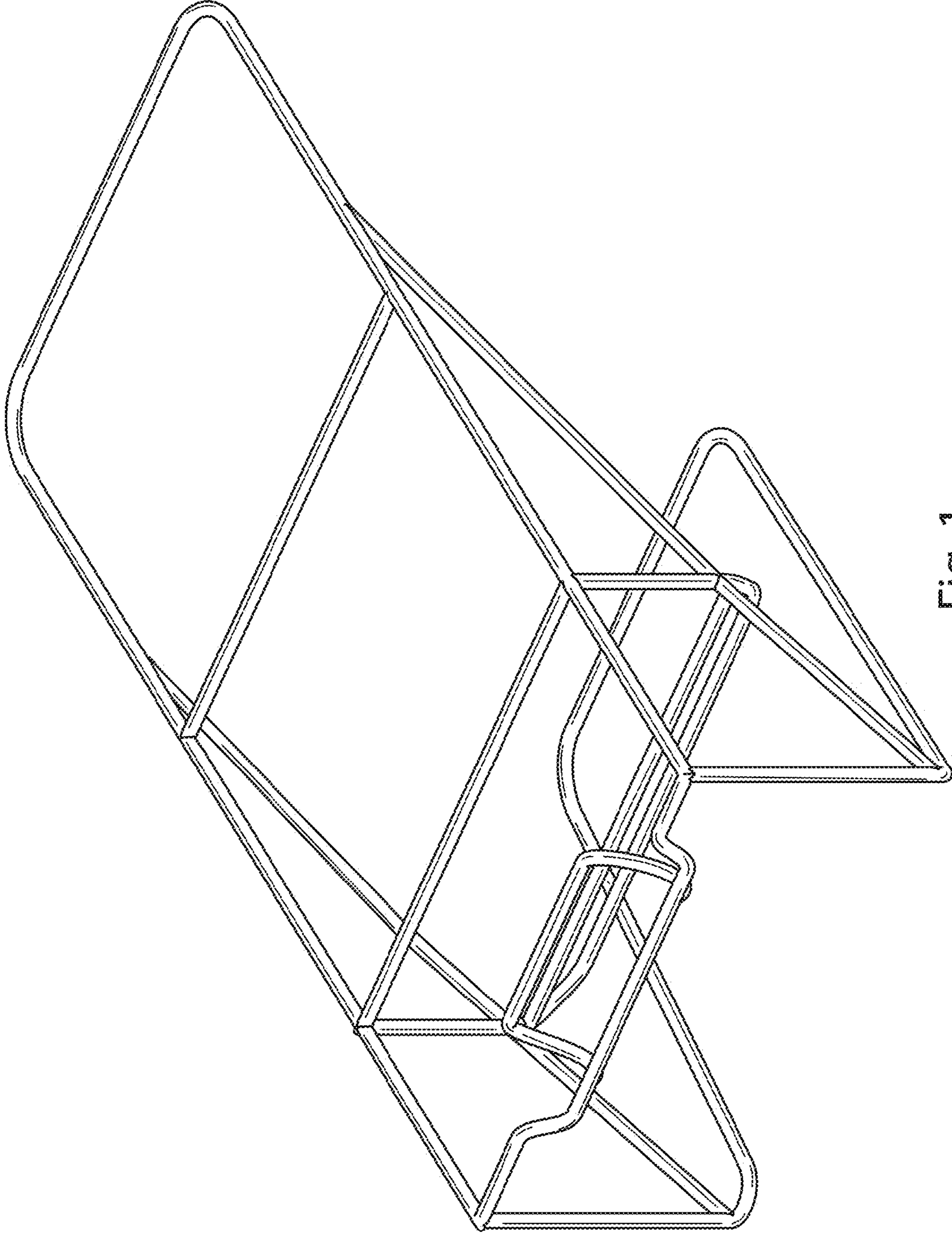


Fig. 1

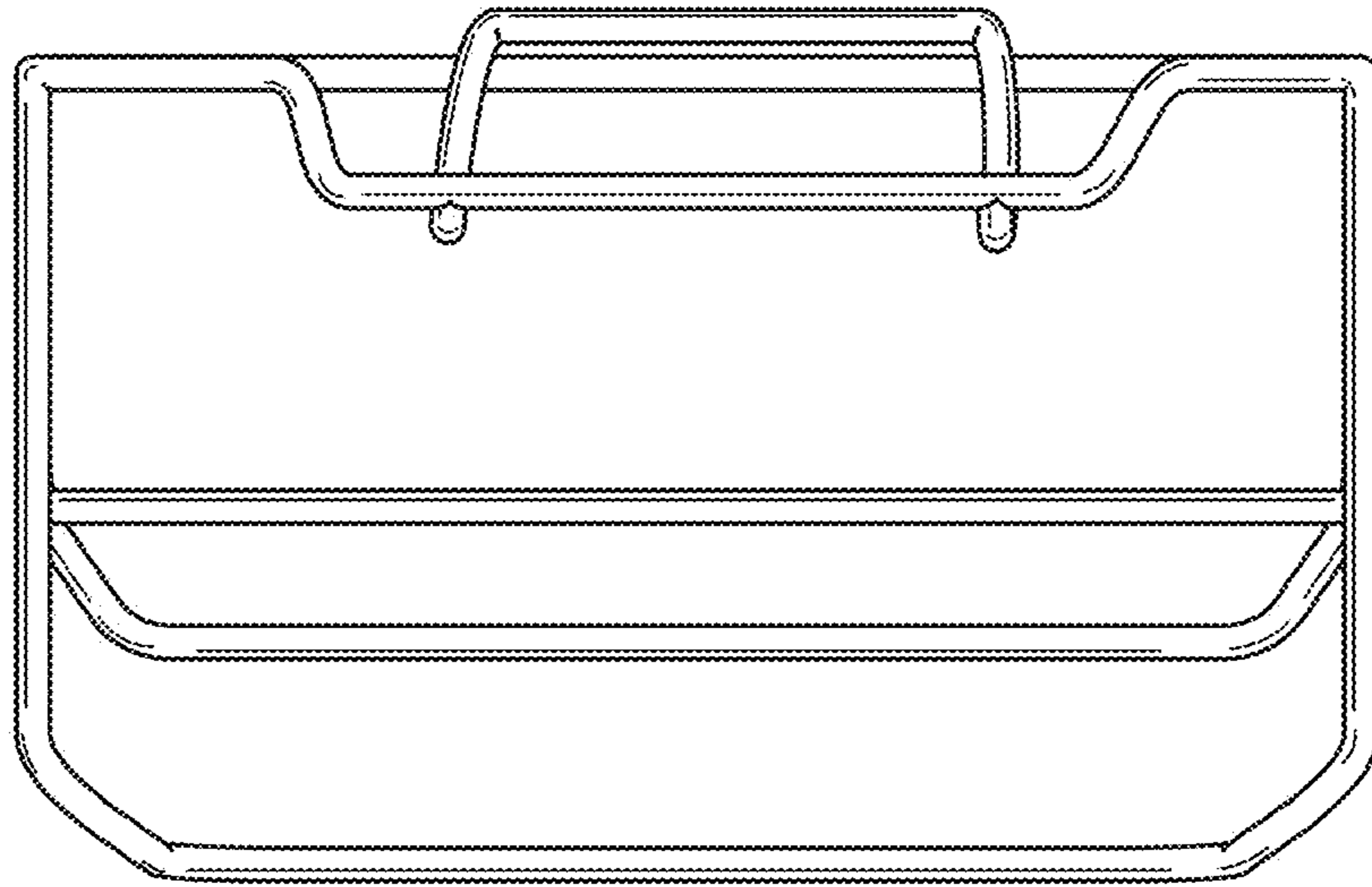


Fig. 2

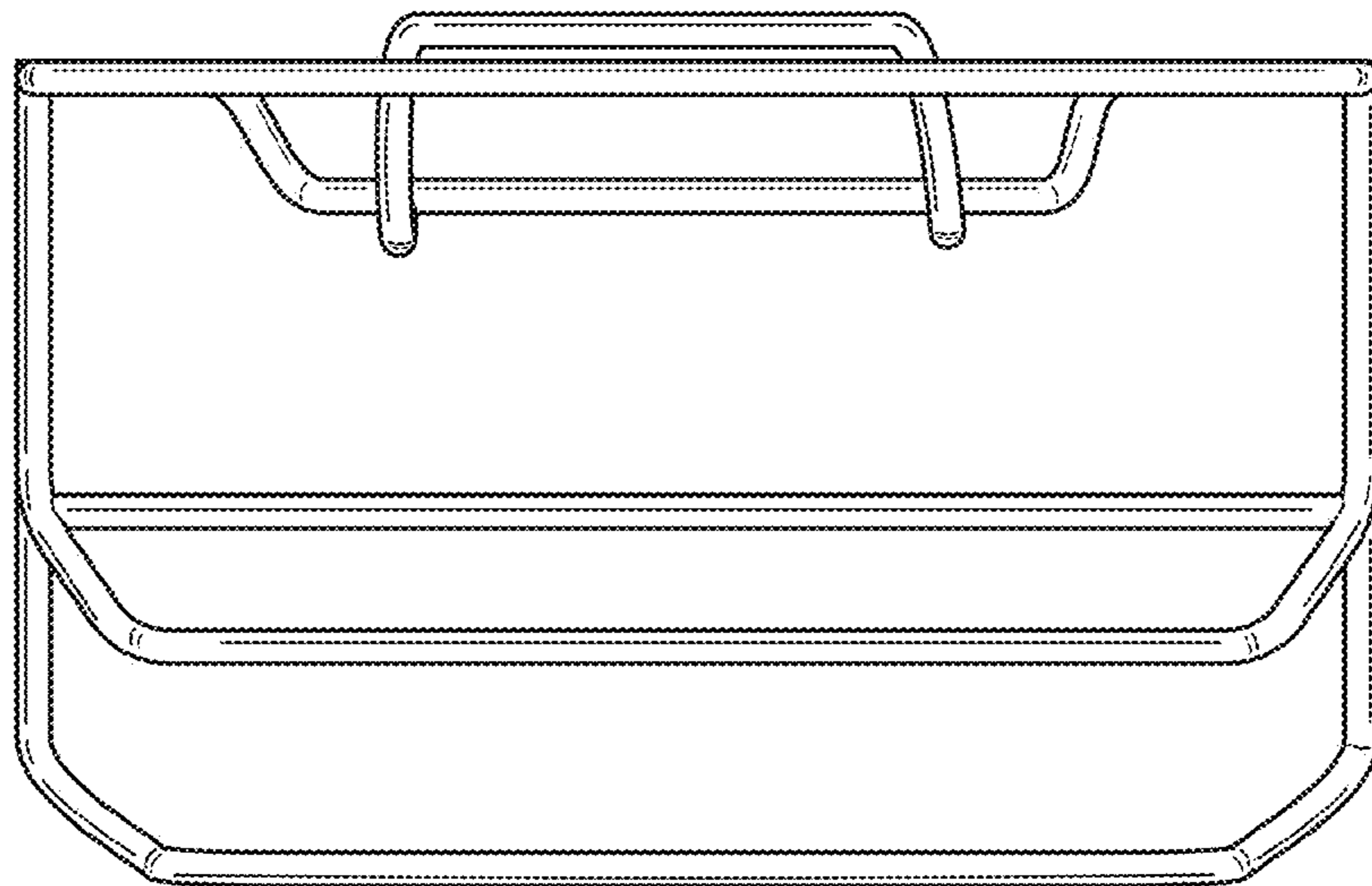


Fig. 3

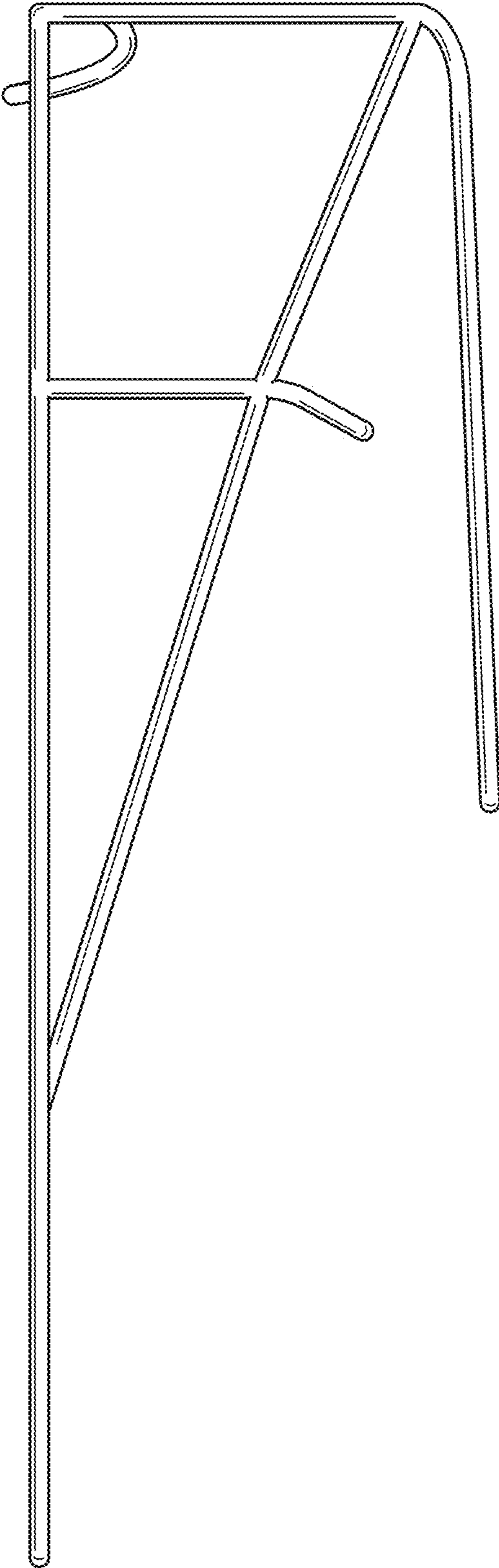


Fig. 4

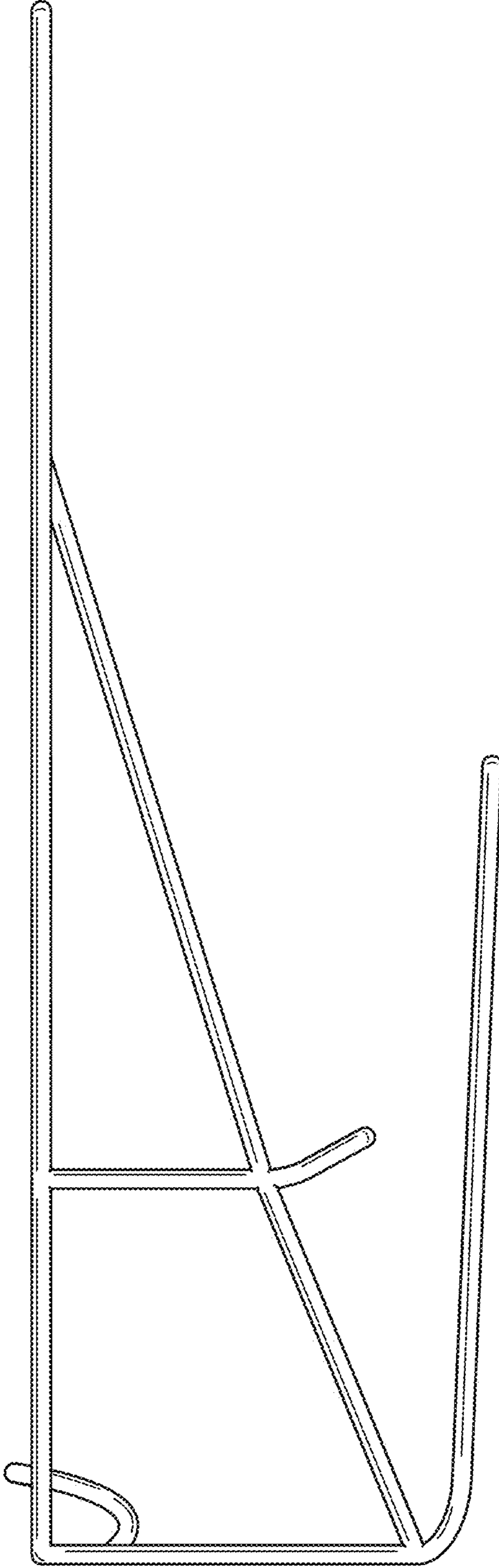


Fig. 5

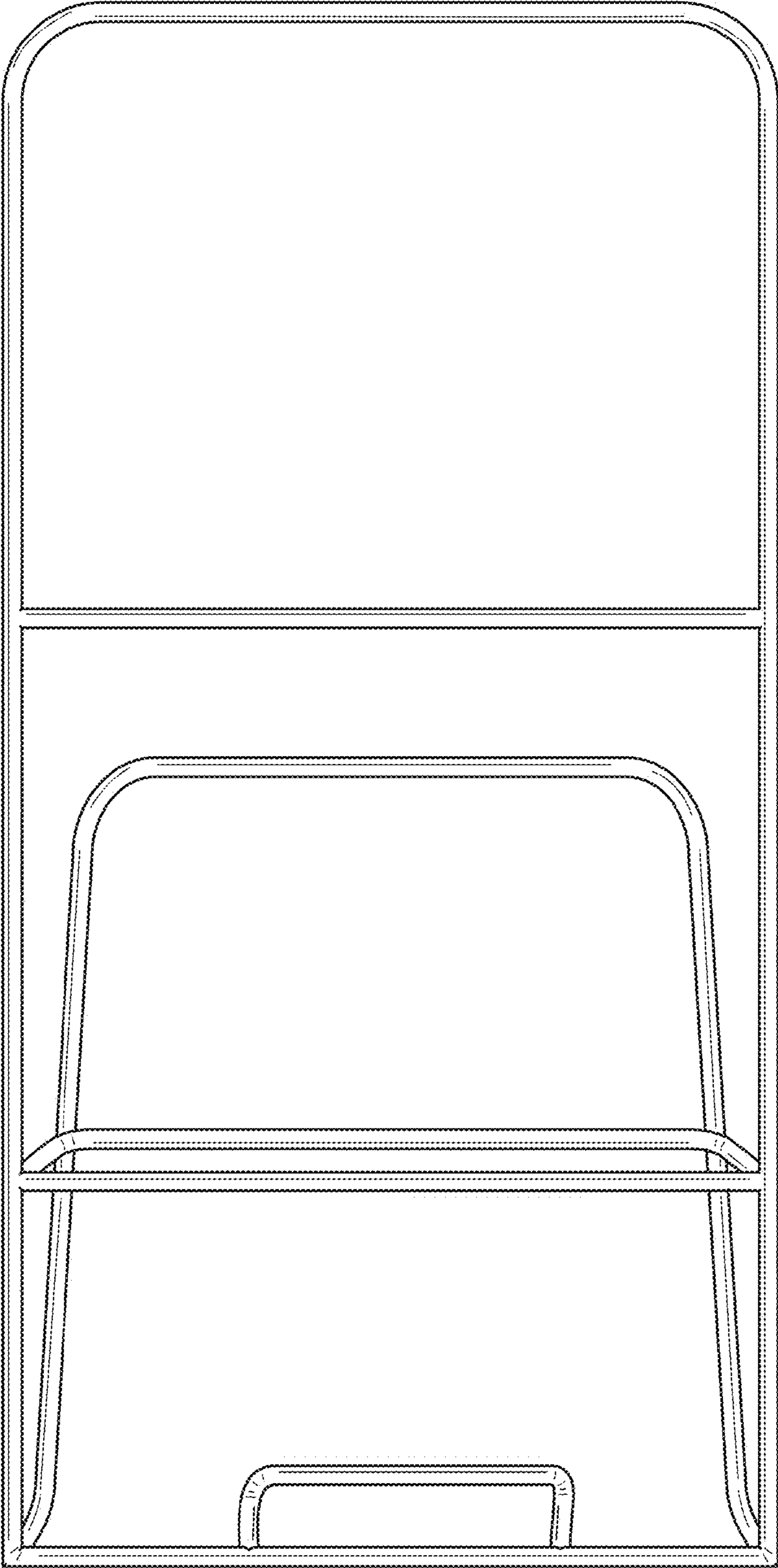


Fig. 6

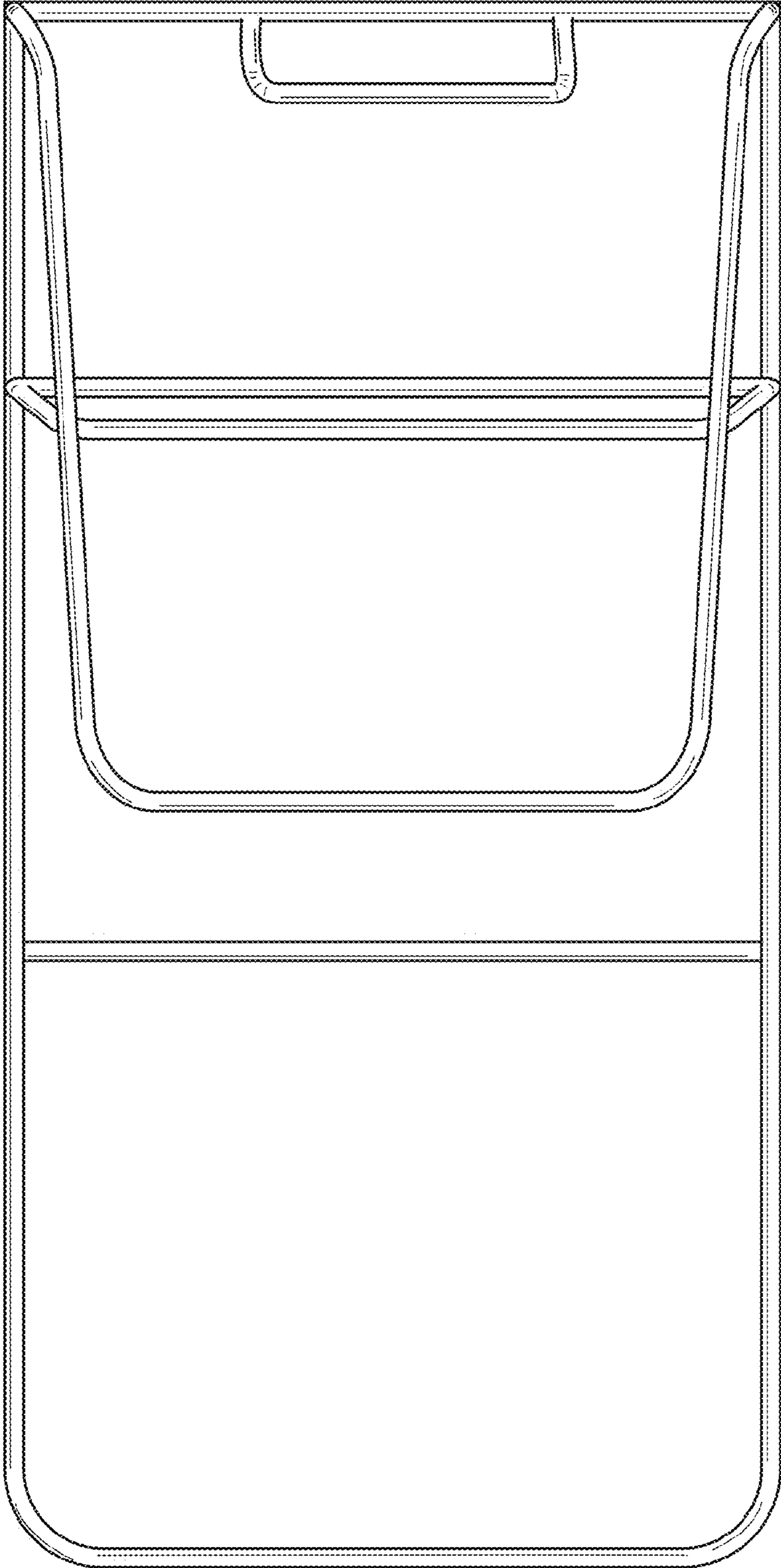


Fig. 7