



US00D709524S

(12) **United States Design Patent**
Ohser et al.

(10) **Patent No.:** **US D709,524 S**
(45) **Date of Patent:** **** Jul. 22, 2014**

(54) **COMPRESSOR**

D619,624 S * 7/2010 Iwagoshi et al. D15/7
D642,203 S * 7/2011 Yoshimura et al. D15/9
D684,197 S 6/2013 Kienzle et al.

(71) Applicants: **Klaus Ohser**, Wiedemar OT Kyhna
(DE); **Bertram Wipper**, Leipzig (DE)

(72) Inventors: **Klaus Ohser**, Wiedemar OT Kyhna
(DE); **Bertram Wipper**, Leipzig (DE)

(73) Assignee: **Bitzer Kuelmaschinenbau GmbH**,
Sindelfingen (DE)

(**) Term: **14 Years**

(21) Appl. No.: **29/455,498**

(22) Filed: **May 21, 2013**

(30) **Foreign Application Priority Data**

Nov. 27, 2012 (EM) 002143164
Nov. 27, 2012 (EM) 002143164-0001
Nov. 27, 2012 (EM) 002143164-0002

(51) **LOC (10) Cl.** **15-02**

(52) **U.S. Cl.**
USPC **D15/9**

(58) **Field of Classification Search**
USPC D15/7-9; D23/231, 232, 225; 417/60,
417/235, 265, 321, 355, 358, 363, 359,
417/410.1, 415-416, 405, 900; 60/408,
60/412; 184/26-37; 415/140-147;
123/495, 509

See application file for complete search history.

(56) **References Cited**

U.S. PATENT DOCUMENTS

D394,068 S 5/1998 Pollrich et al.
D464,063 S * 10/2002 Thomas et al. D15/9
D467,254 S 12/2002 Ullrich
D479,247 S 9/2003 Ullrich
D518,068 S * 3/2006 Rodopoulos D15/7
D531,194 S 10/2006 Hertenstein et al.
D538,826 S 3/2007 Kienzle
D595,748 S 7/2009 Kratschmer

OTHER PUBLICATIONS

U.S. Appl. No. 29/434,711, filed Oct. 16, 2012, Hermann.
U.S. Appl. No. 29/446,895, filed Feb. 28, 2013, Kienzle et al.
U.S. Appl. No. 29/458,423, filed Jun. 19, 2013, Ohser et al.

* cited by examiner

Primary Examiner — Ralf Seifert

(74) *Attorney, Agent, or Firm* — Reinhart Boerner Van
Deuren P.C.

(57) **CLAIM**

The ornamental design for a compressor, as shown and
described.

DESCRIPTION

The design application contains at least one drawing executed
in color. Copies of this design application publication with
color drawings will be provided by the Office upon request
and payment of the necessary fee.

FIG. 1 is a front and left hand side perspective view of a
compressor showing our new design;

FIG. 2 is a front view thereof;

FIG. 3 is a rear view thereof;

FIG. 4 is a left side view thereof;

FIG. 5 is a right side view thereof;

FIG. 6 is a top view thereof;

FIG. 7 is a bottom view thereof;

FIG. 8 is a front and left hand side perspective view of a
compressor showing the second embodiment of our new
design;

FIG. 9 is a front view of FIG. 8;

FIG. 10 is a rear view of FIG. 8;

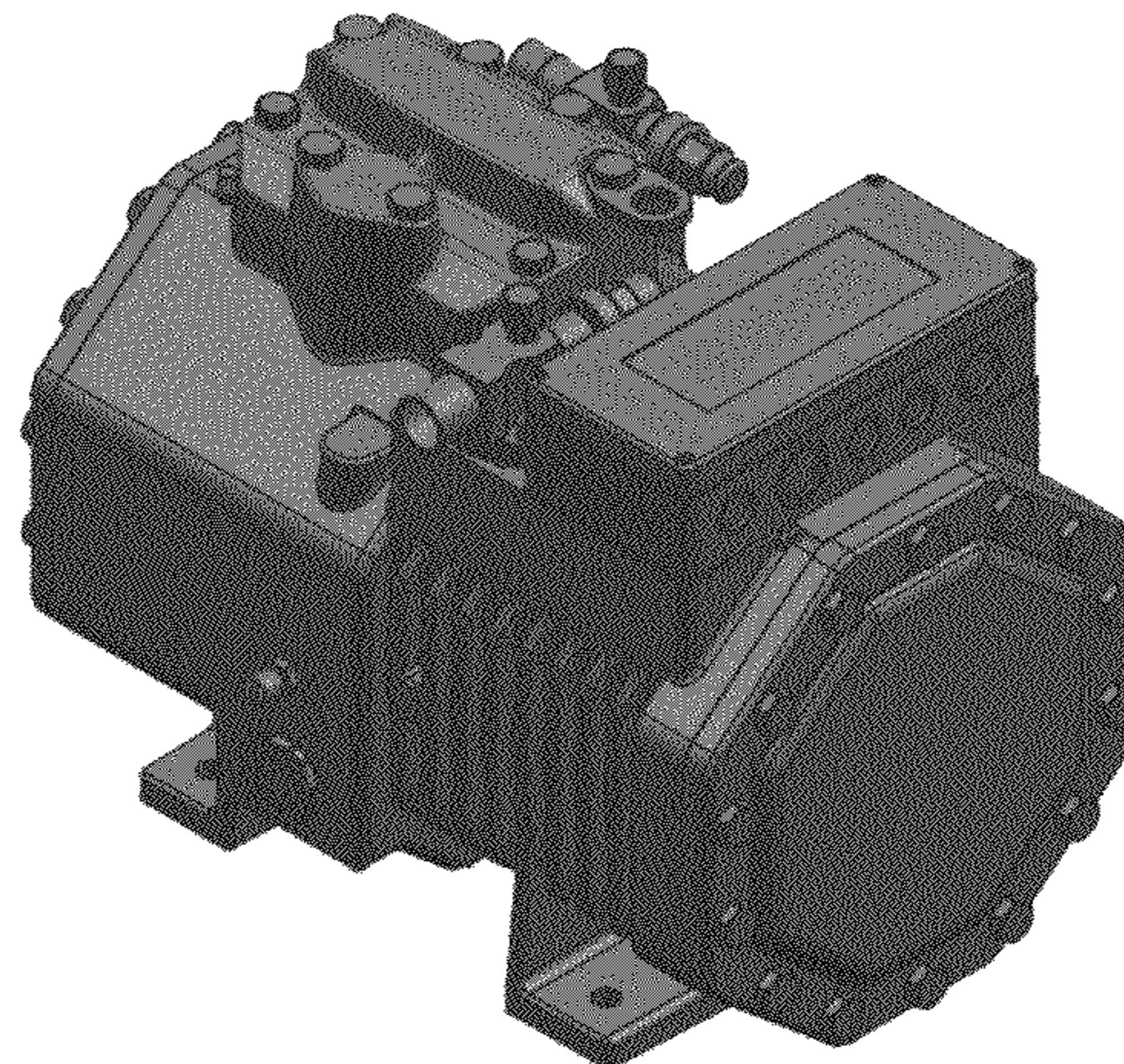
FIG. 11 is a left side view of FIG. 8;

FIG. 12 is a right side view of FIG. 8;

FIG. 13 is a top view of FIG. 8; and,

FIG. 14 is a bottom view of FIG. 8.

1 Claim, 14 Drawing Sheets



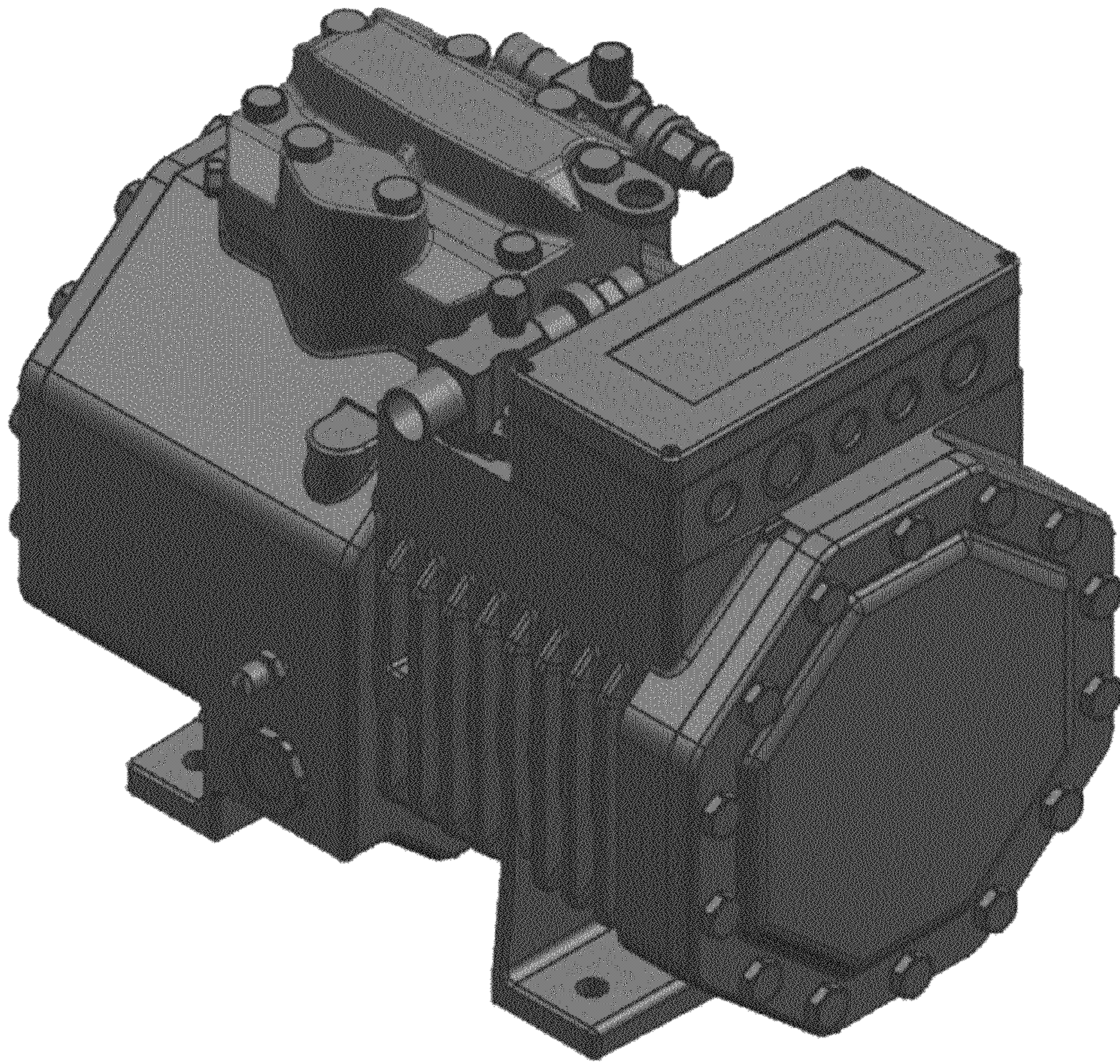


FIG. 1

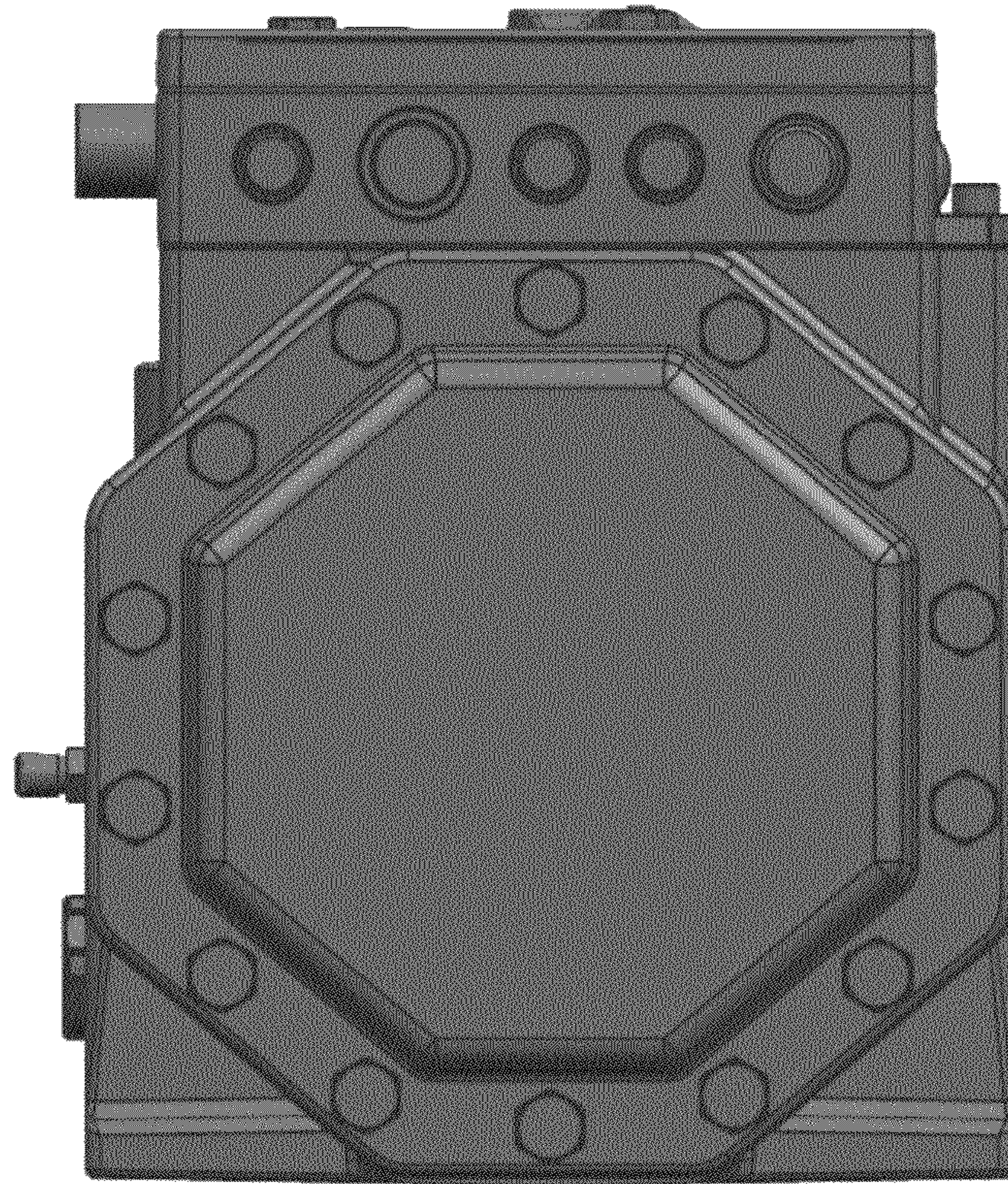


FIG. 2

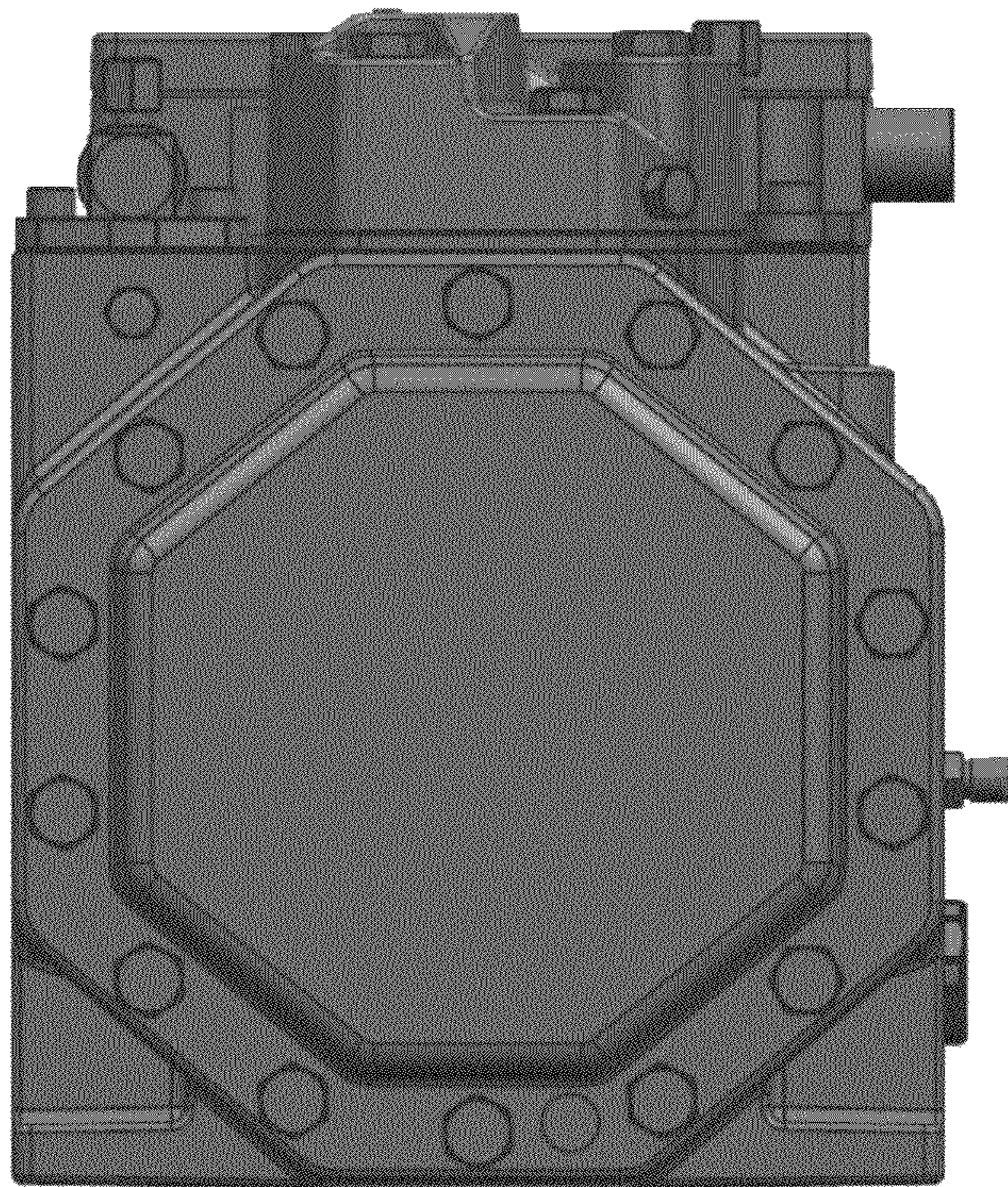


FIG. 3

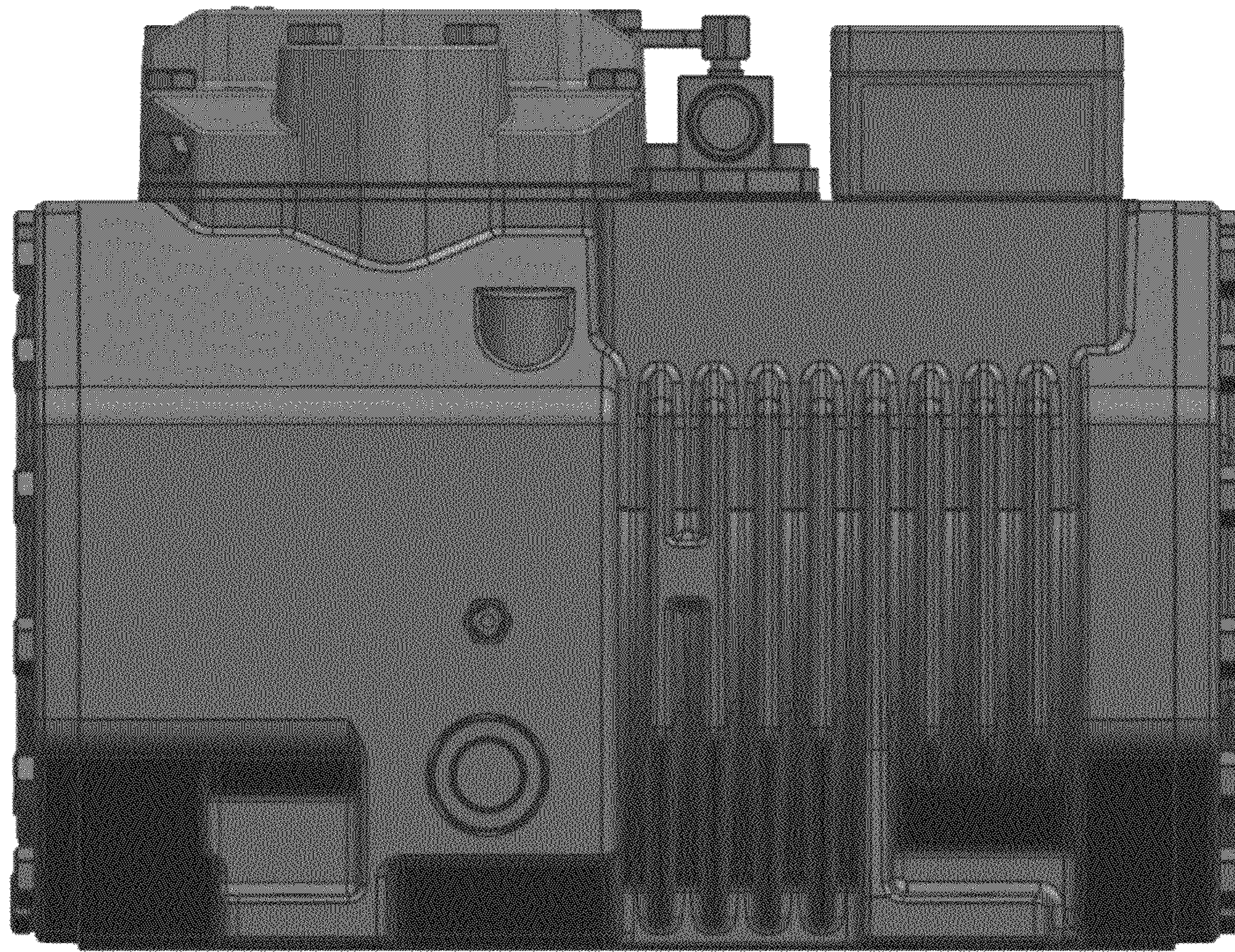


FIG. 4

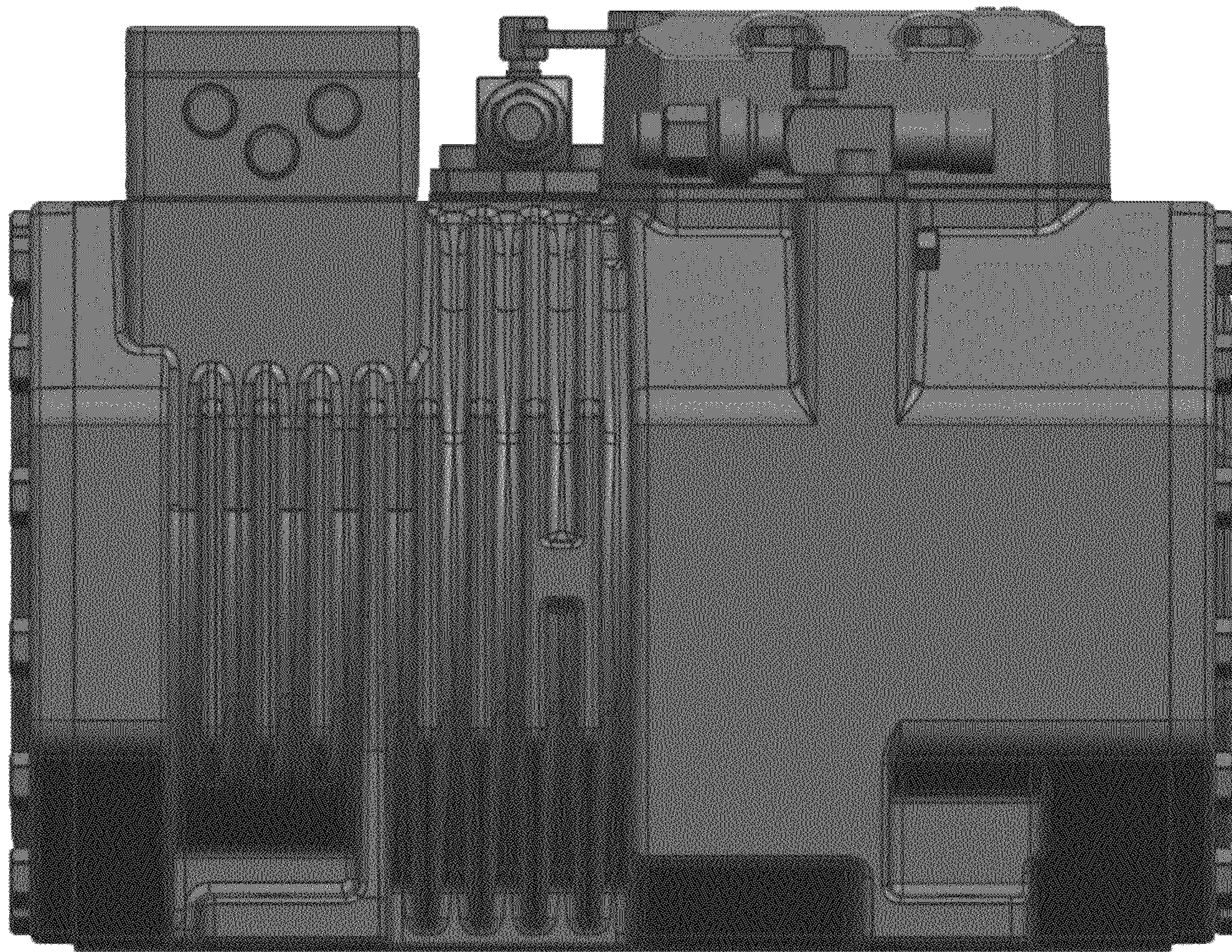


FIG. 5

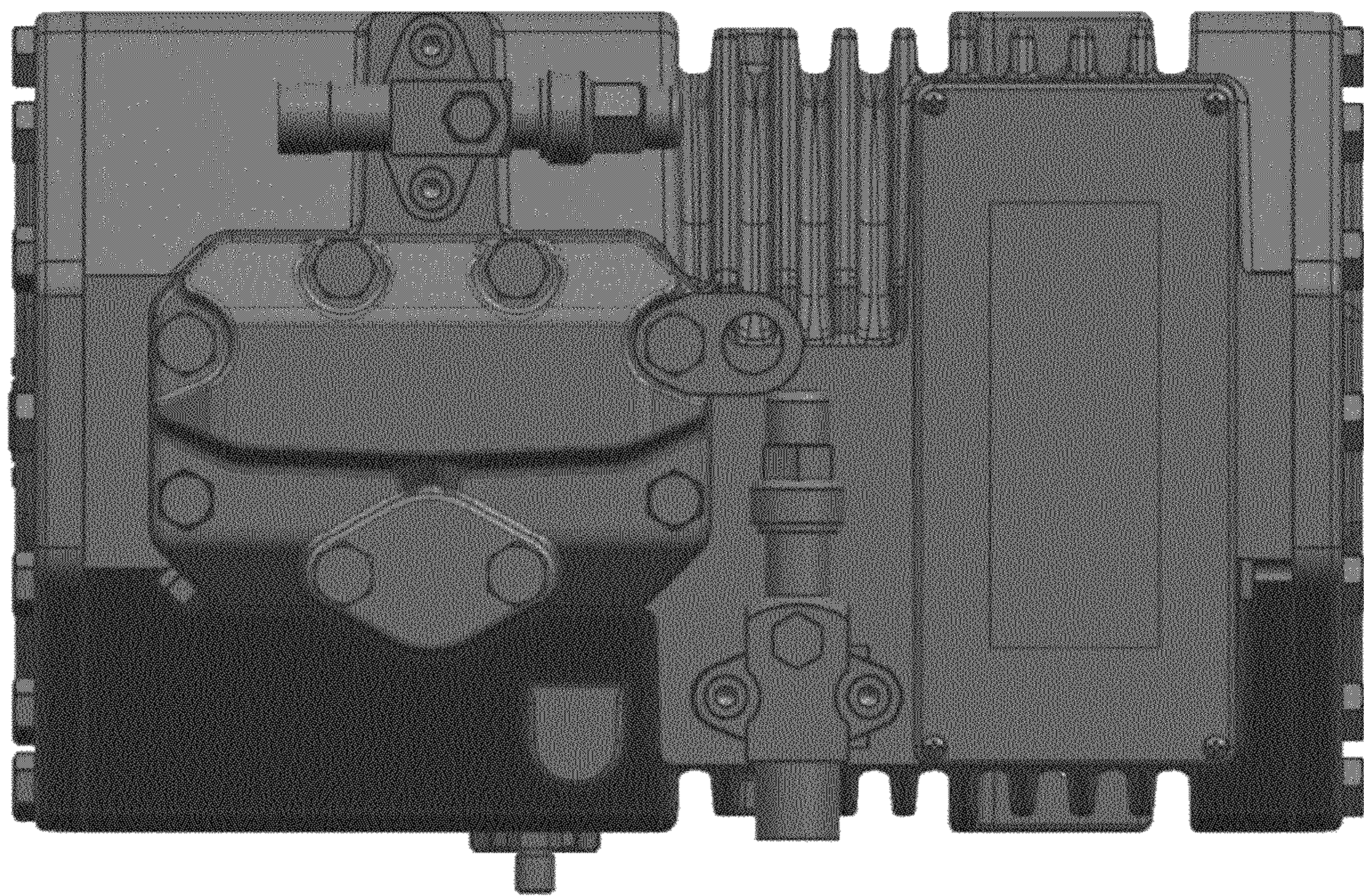


FIG. 6

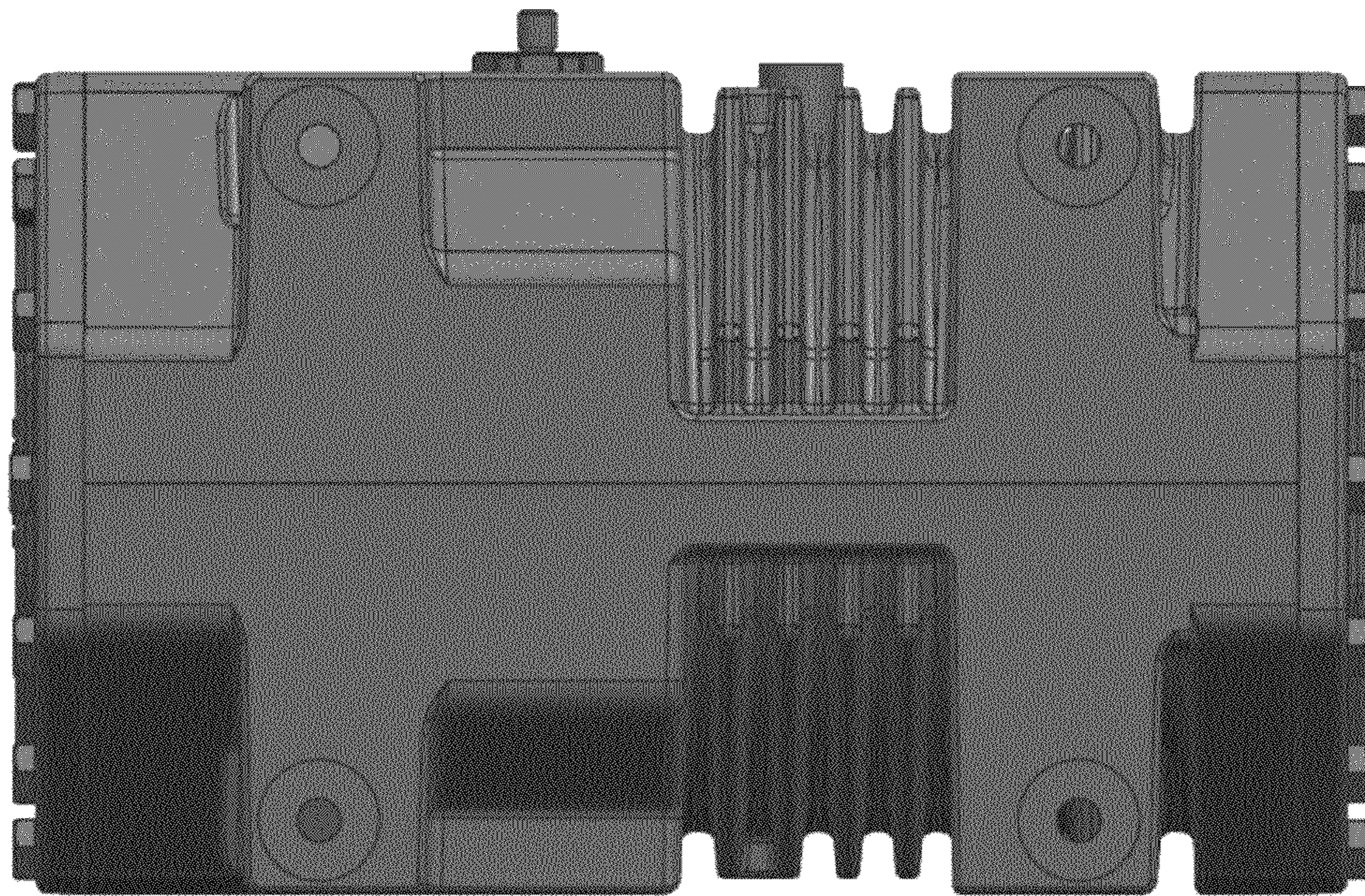


FIG. 7

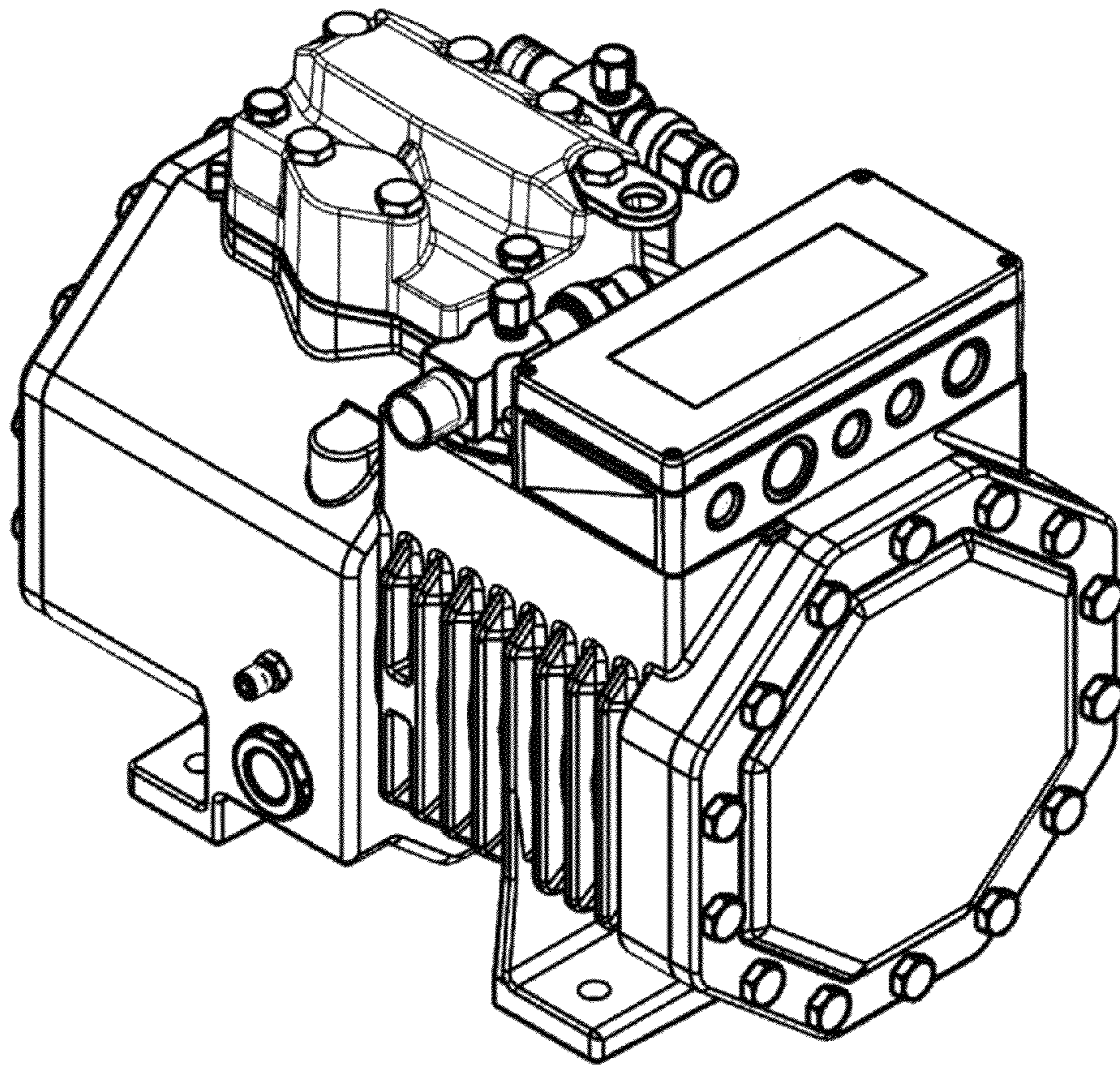


FIG. 8

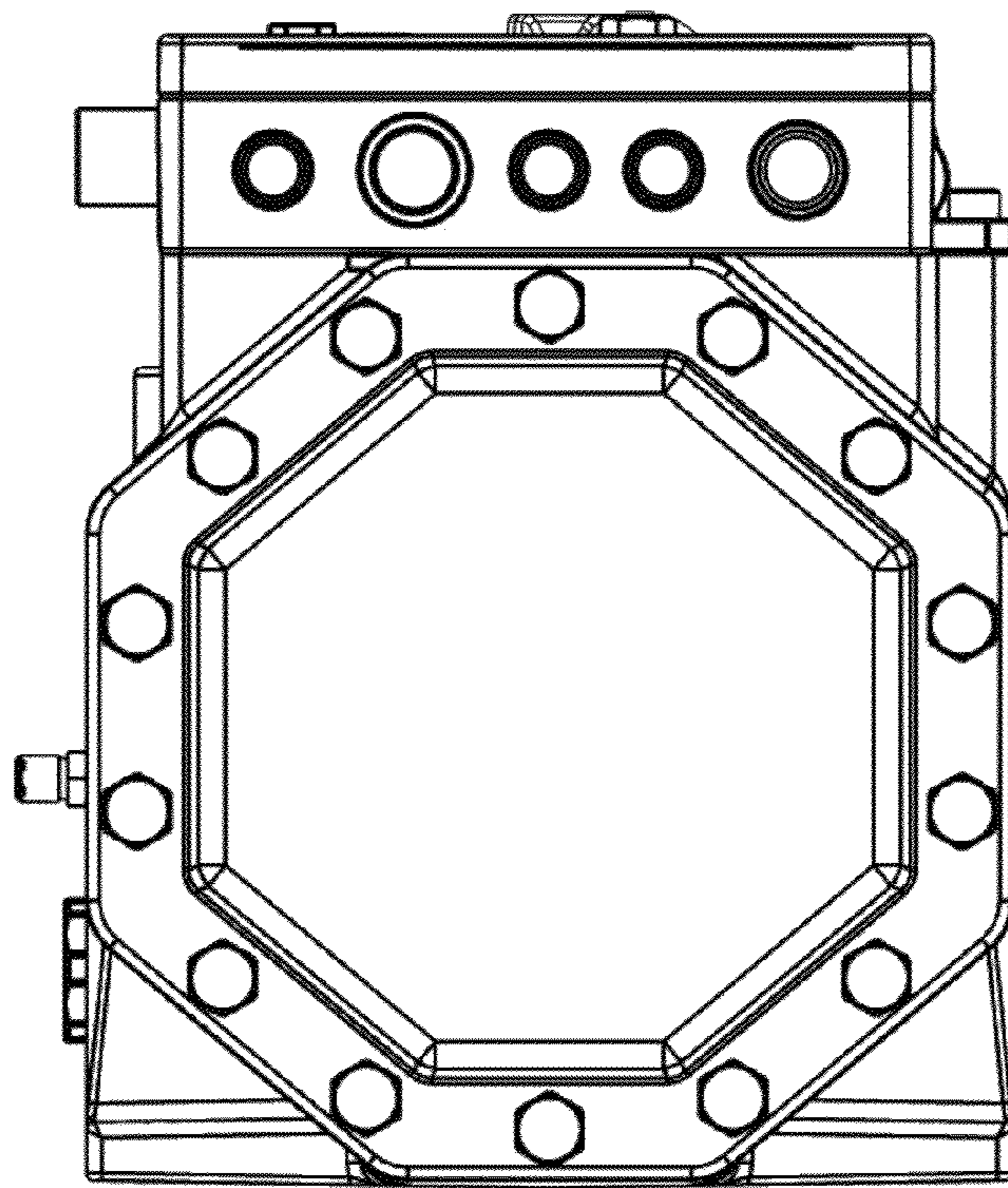


FIG. 9

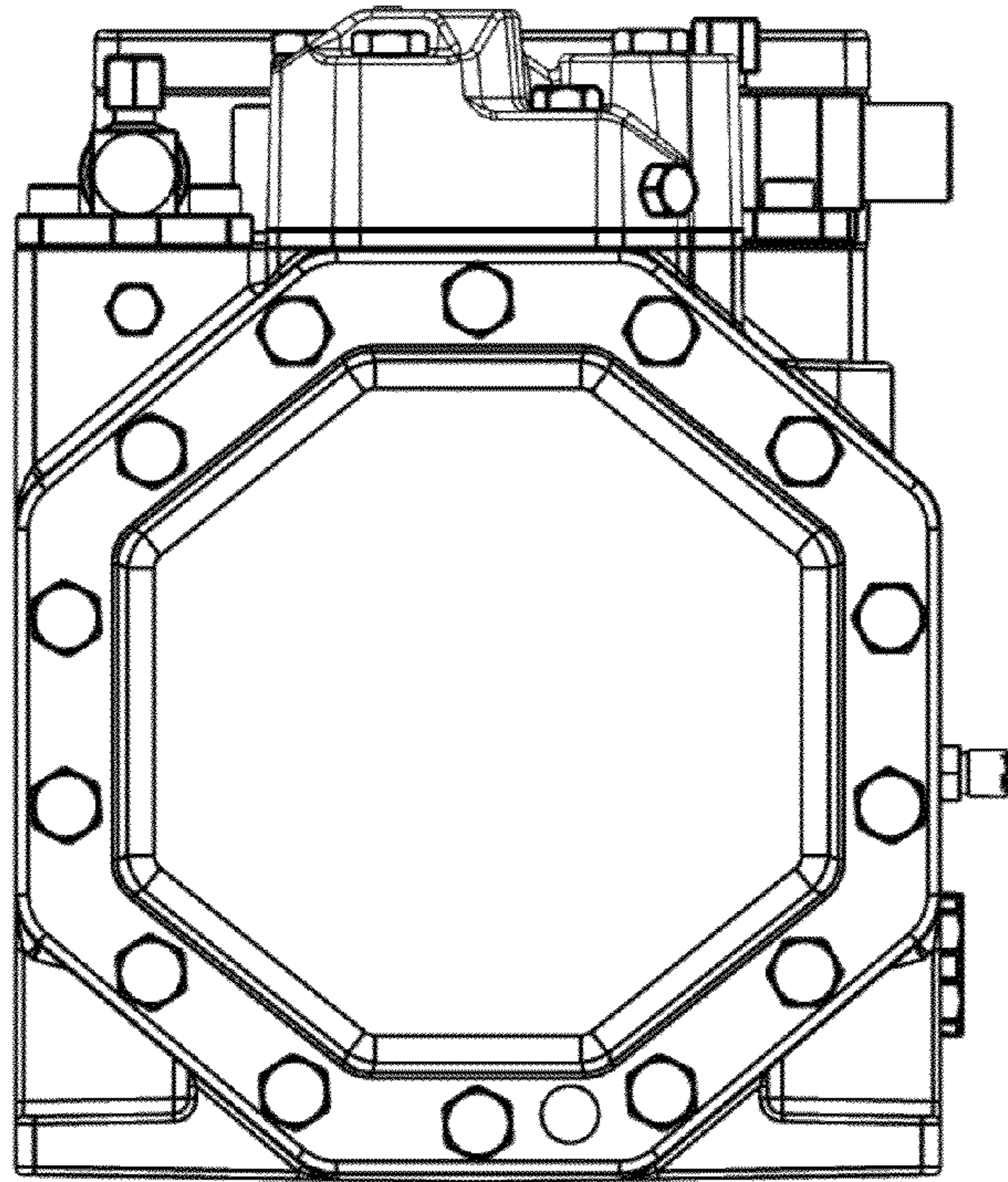


FIG. 10

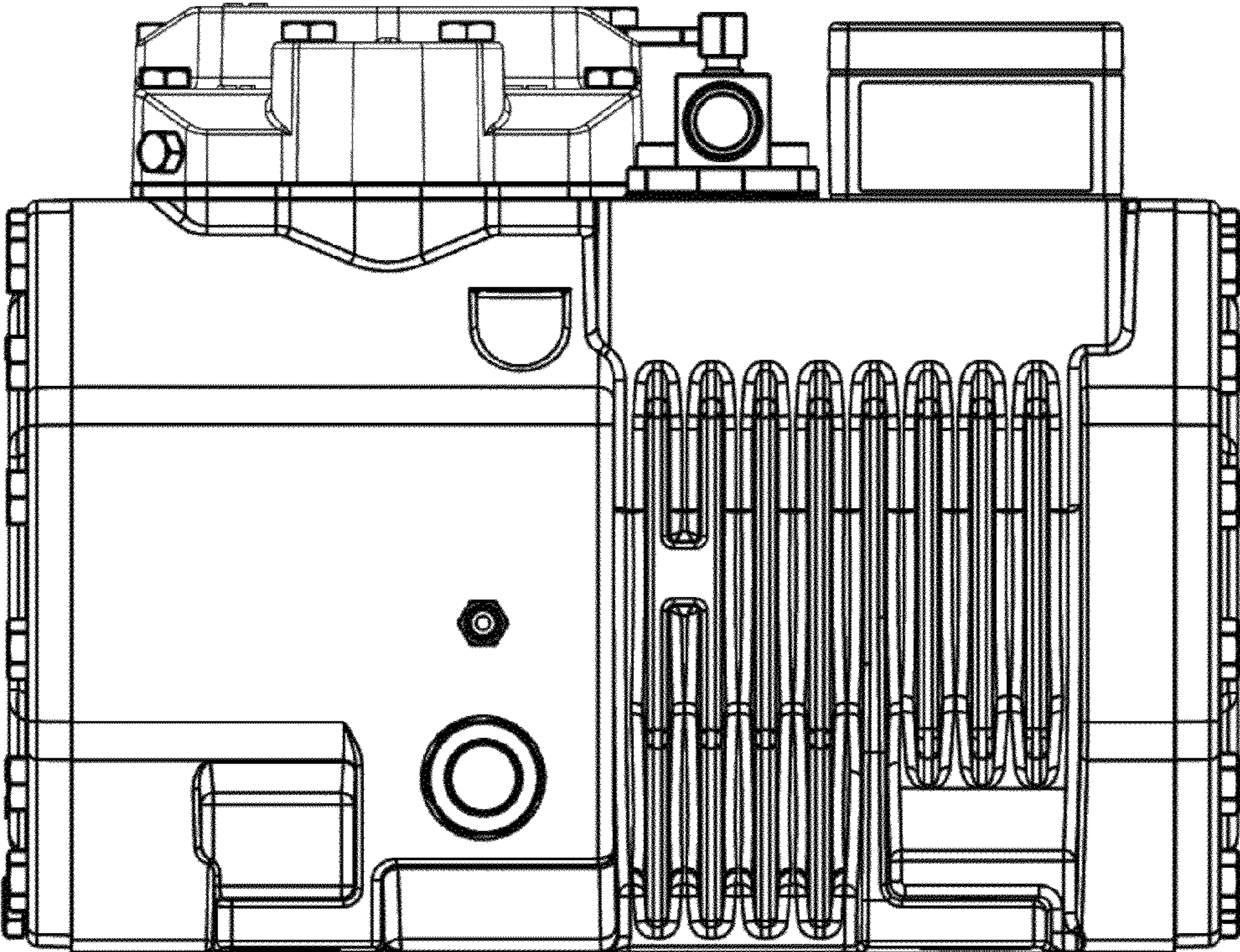


FIG. 11

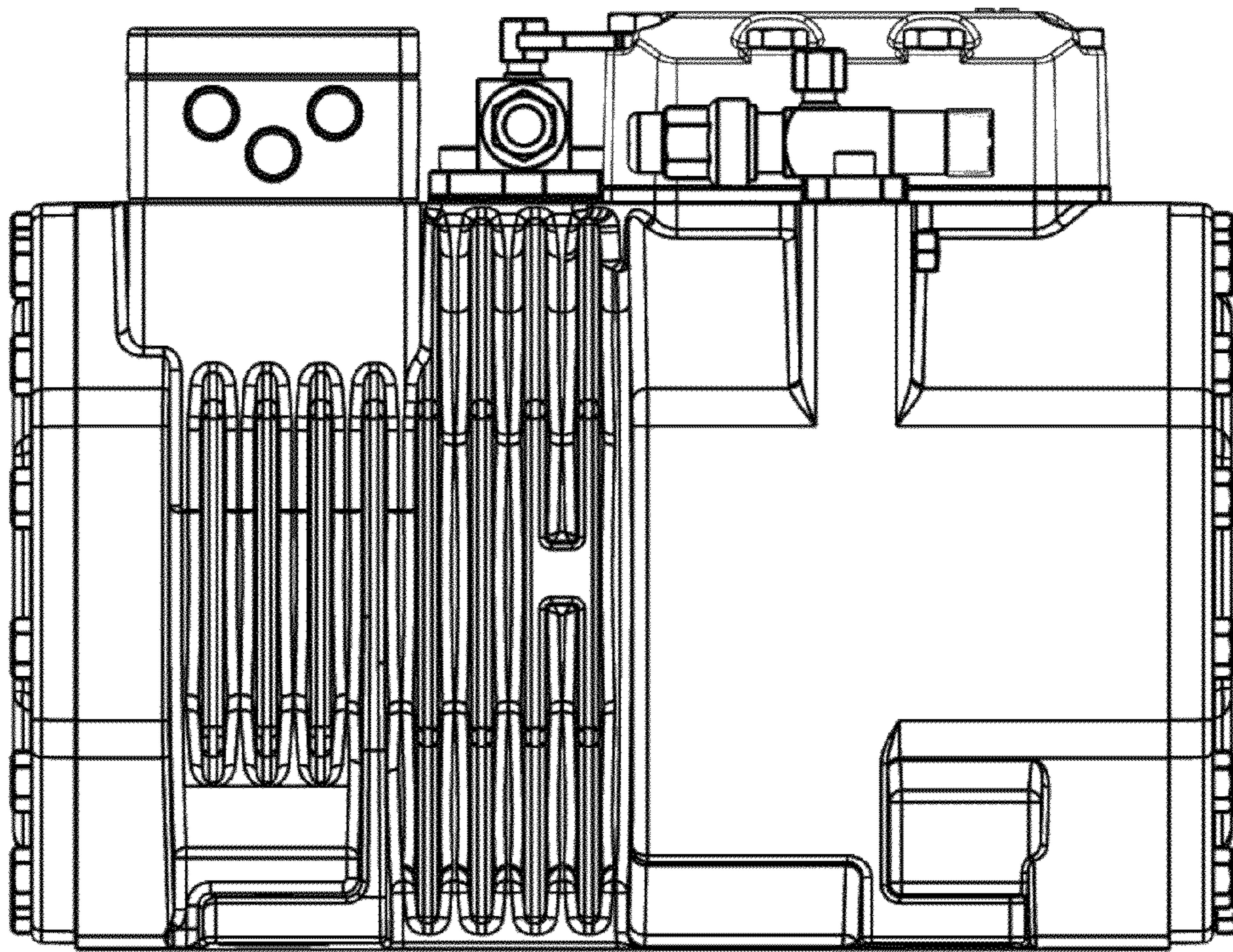


FIG. 12

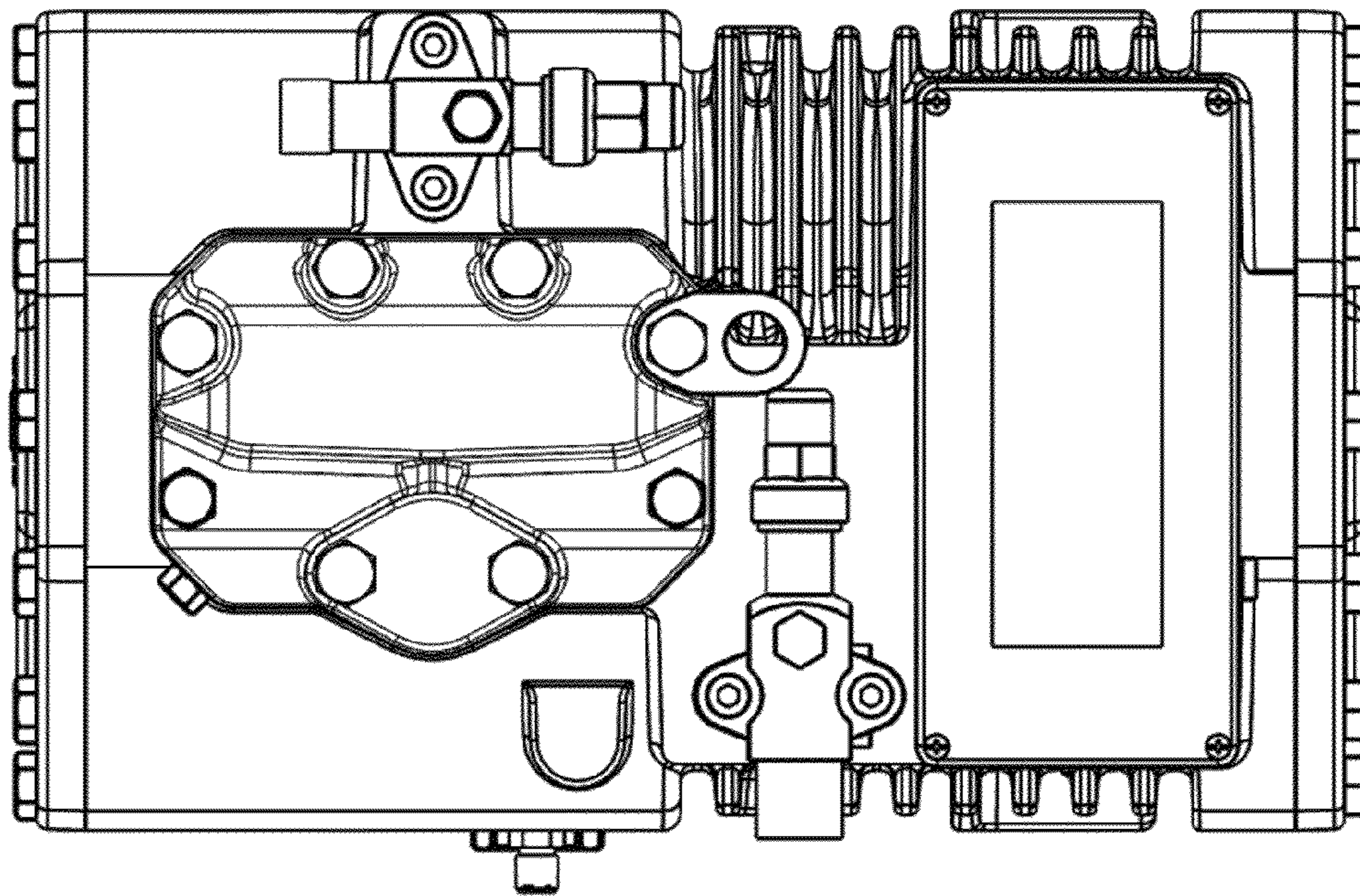


FIG. 13

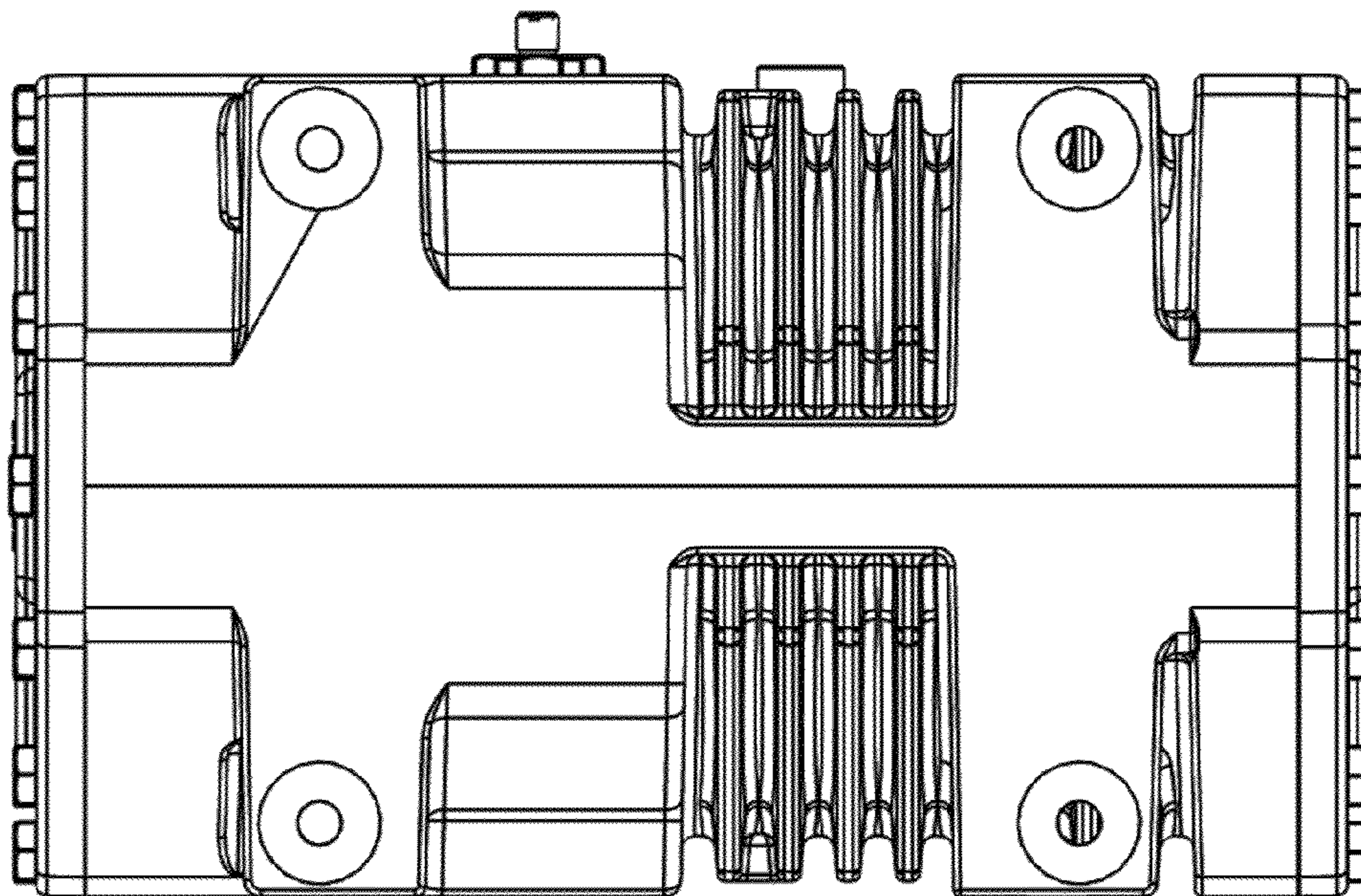


FIG. 14