



US00D709512S

(12) **United States Design Patent**
Wardlaw

(10) **Patent No.:** **US D709,512 S**
(45) **Date of Patent:** **** Jul. 22, 2014**

(54) **HOLDING DEVICE FOR TABLET-TYPE COMPUTER**

(71) Applicant: **Scot Wardlaw**, Bad Nauheim (DE)

(72) Inventor: **Scot Wardlaw**, Bad Nauheim (DE)

(**) Term: **14 Years**

(21) Appl. No.: **29/468,125**

(22) Filed: **Sep. 26, 2013**

(51) **LOC (10) Cl.** **08-07**

(52) **U.S. Cl.**
USPC **D14/447**

(58) **Field of Classification Search**

CPC A47B 2097/005; A47B 2097/006;
A47B 21/04; A47B 2021/00; A47B 23/00;
A47B 23/043; A47B 2021/0314; A47B
2021/0307; A47B 2023/005; A47B 2023/049;
F16M 13/00; F16M 2200/00; H04B 1/3888;
H04M 1/04; H04M 1/185; A45C 13/002;
A45C 2011/002; A45C 2011/003; A45C
2013/025; G06F 1/163
USPC D14/447, 432, 434, 439, 440, 451, 452,
D14/457, 460, 461, 238.1, 250, 251, 253;
D3/218; D6/406.3, 406.4, 406.5,
D6/406.6; 248/444, 441.1, 188.6,
248/917-924; 361/679.02, 679.03, 679.04,
361/679.09, 679.21, 679.26, 679.27, 679.3,
361/679.55, 679.56

See application file for complete search history.

(56) **References Cited**

U.S. PATENT DOCUMENTS

D447,144 S * 8/2001 Chen D14/439
D582,918 S * 12/2008 Scott D14/432
D586,206 S * 2/2009 Robbins et al. D8/380
D589,036 S * 3/2009 Unsworth D14/239
D598,919 S * 8/2009 Takemasa et al. D14/432
D635,143 S * 3/2011 Derry et al. D14/451
D664,602 S * 7/2012 Chiu et al. D21/333

D677,670 S * 3/2013 Vizcarra et al. D14/447
D685,376 S * 7/2013 Kim D14/439
D692,440 S * 10/2013 Tsai D14/447
D693,825 S * 11/2013 Weckert D14/447
2012/0091312 A1* 4/2012 Baker 248/682
2013/0270851 A1* 10/2013 Konyha 294/142

* cited by examiner

Primary Examiner — Angela J Lee

(74) *Attorney, Agent, or Firm* — Bryan Cave LLP

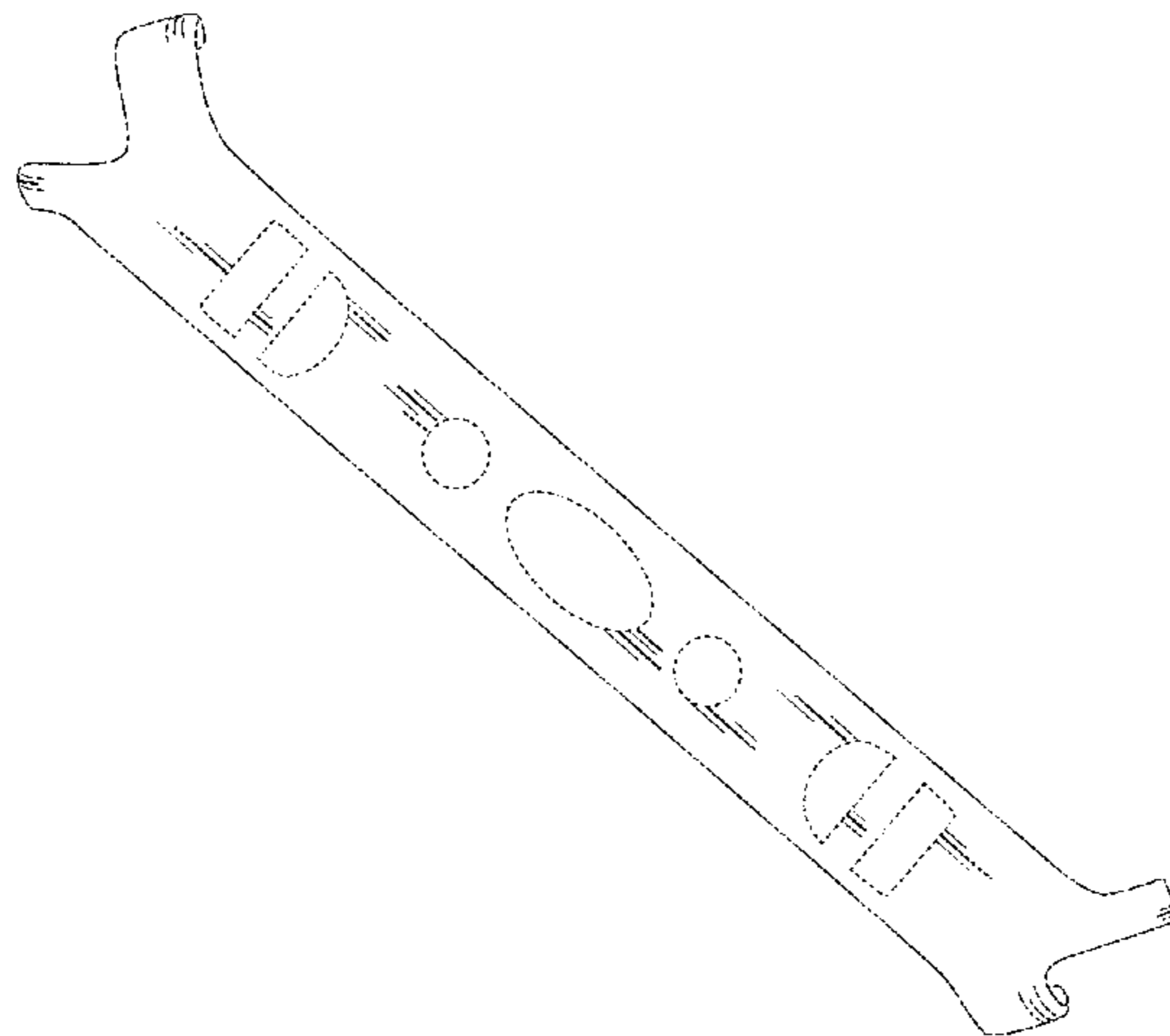
(57) **CLAIM**

The ornamental design for a holding device for tablet-type computer, as shown and described.

DESCRIPTION

FIG. 1 is a top perspective view showing the top of a holding device for tablet-type computer holding device;
FIG. 2 is a side view of the holding device for tablet-type computer holding device;
FIG. 3 is a bottom perspective view of the holding device for tablet-type computer holding device;
FIG. 4 is a bottom view of the holding device for tablet-type computer holding device;
FIG. 5 is front perspective view of the holding device for tablet-type computer holding device;
FIG. 6 is top perspective view showing the holding device for tablet-type computer holding device applied to a tablet-type computer;
FIG. 7 is bottom perspective view showing the holding device for tablet-type computer holding device applied to a tablet-type computer;
FIG. 8 is a top view of the holding device for tablet-type computer holding device with an optional strap; and,
FIG. 9 is a bottom view of the holding device for tablet-type computer with an optional strap.
The broken lines showing the tablet-type computer in FIGS. 6 and 7 represent environmental subject matter. All other broken lines in the drawings are for purposes of illustrating portions of the holding device for tablet-type computer that form no part of the claimed design.

1 Claim, 9 Drawing Sheets



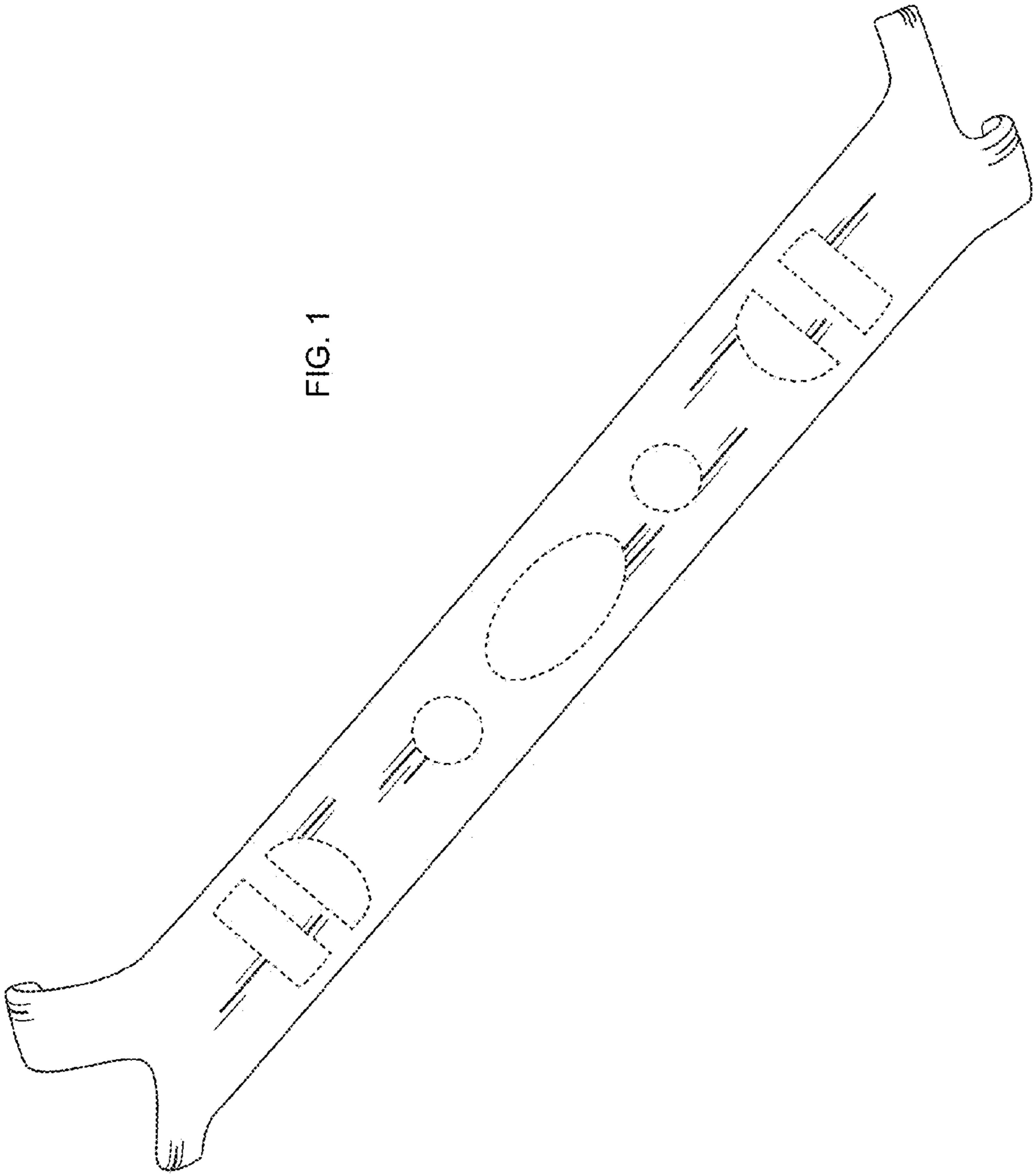


FIG. 1



FIG. 2

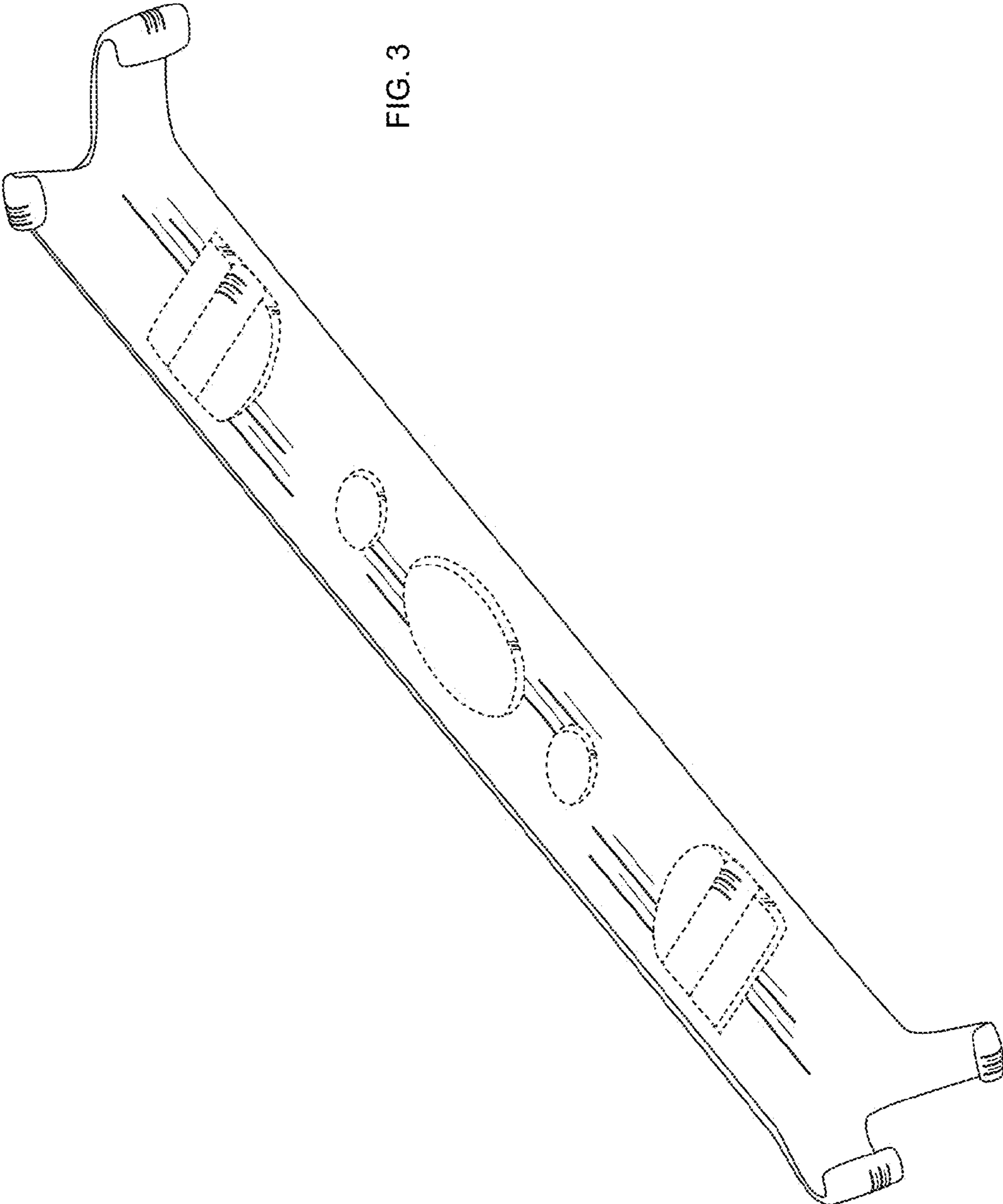


FIG. 3

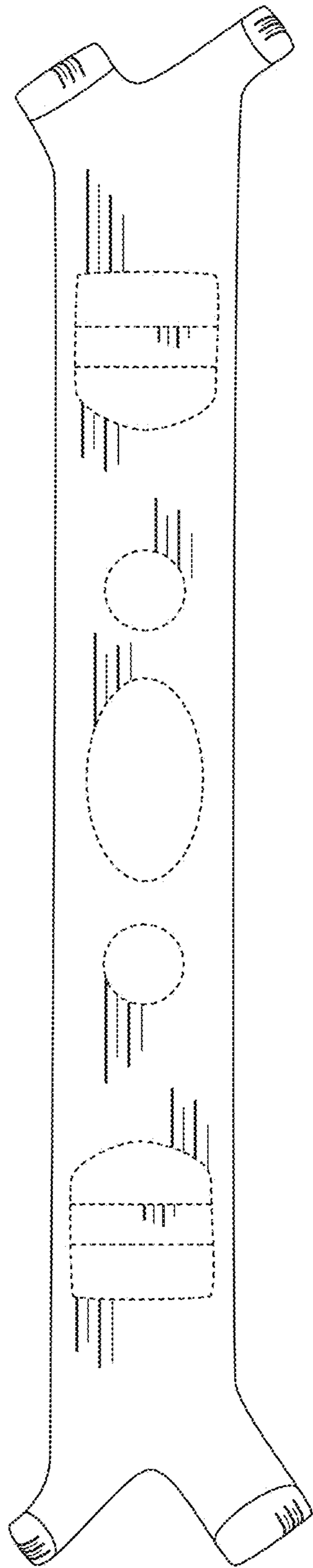


FIG. 4

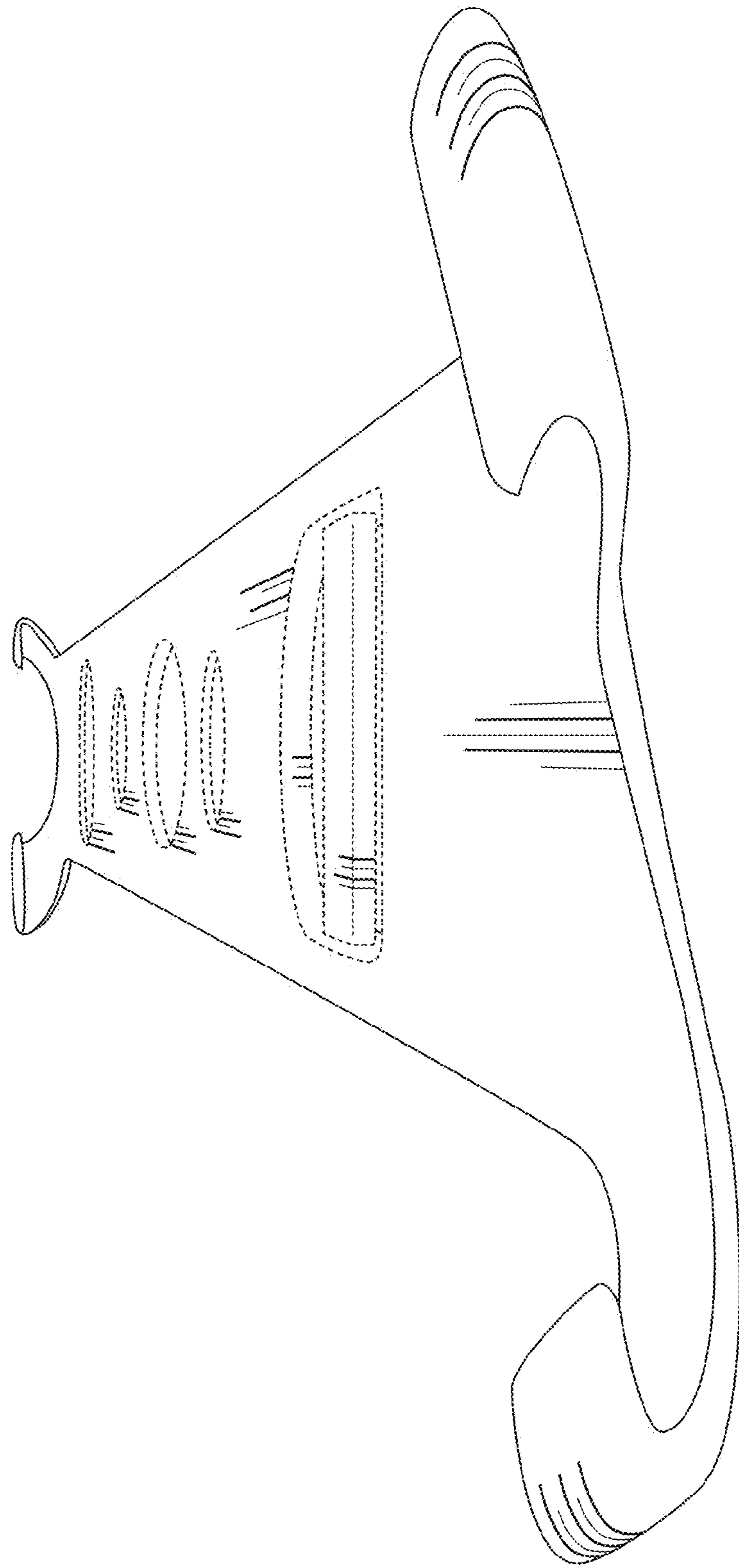


FIG. 5

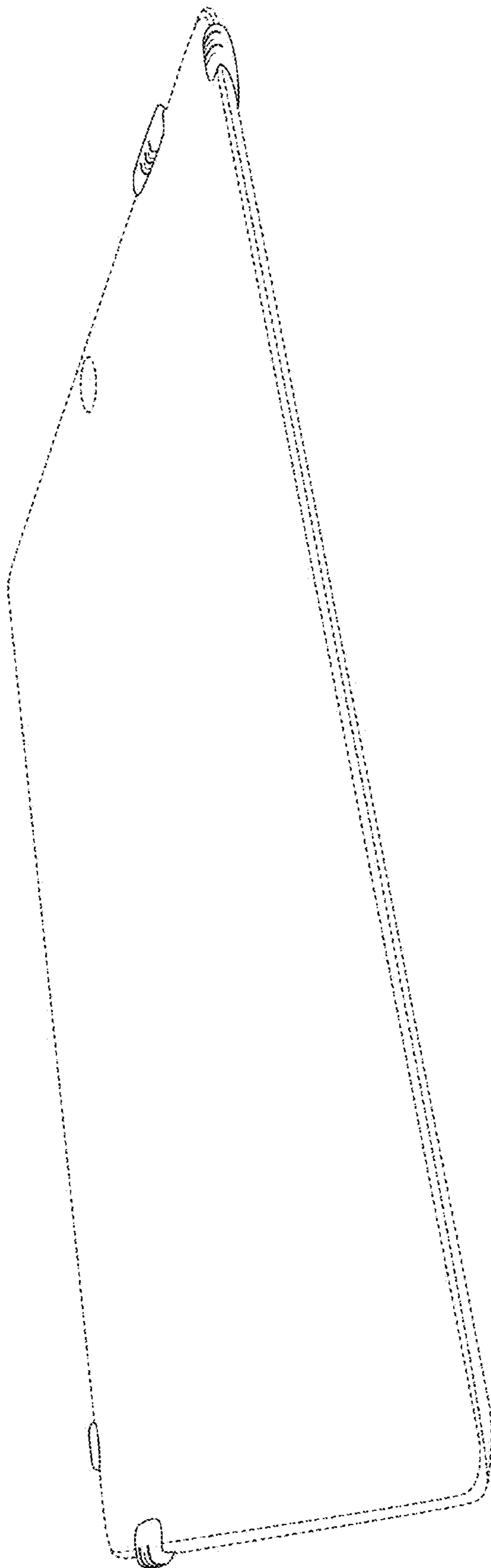


FIG. 6

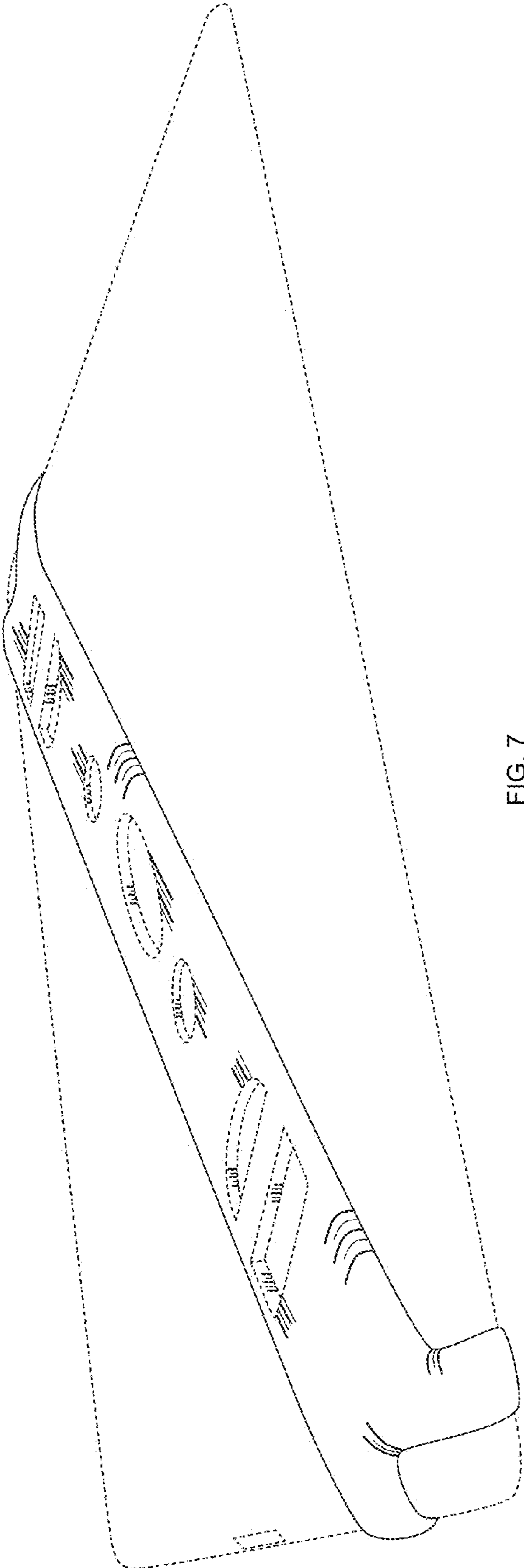


FIG. 7

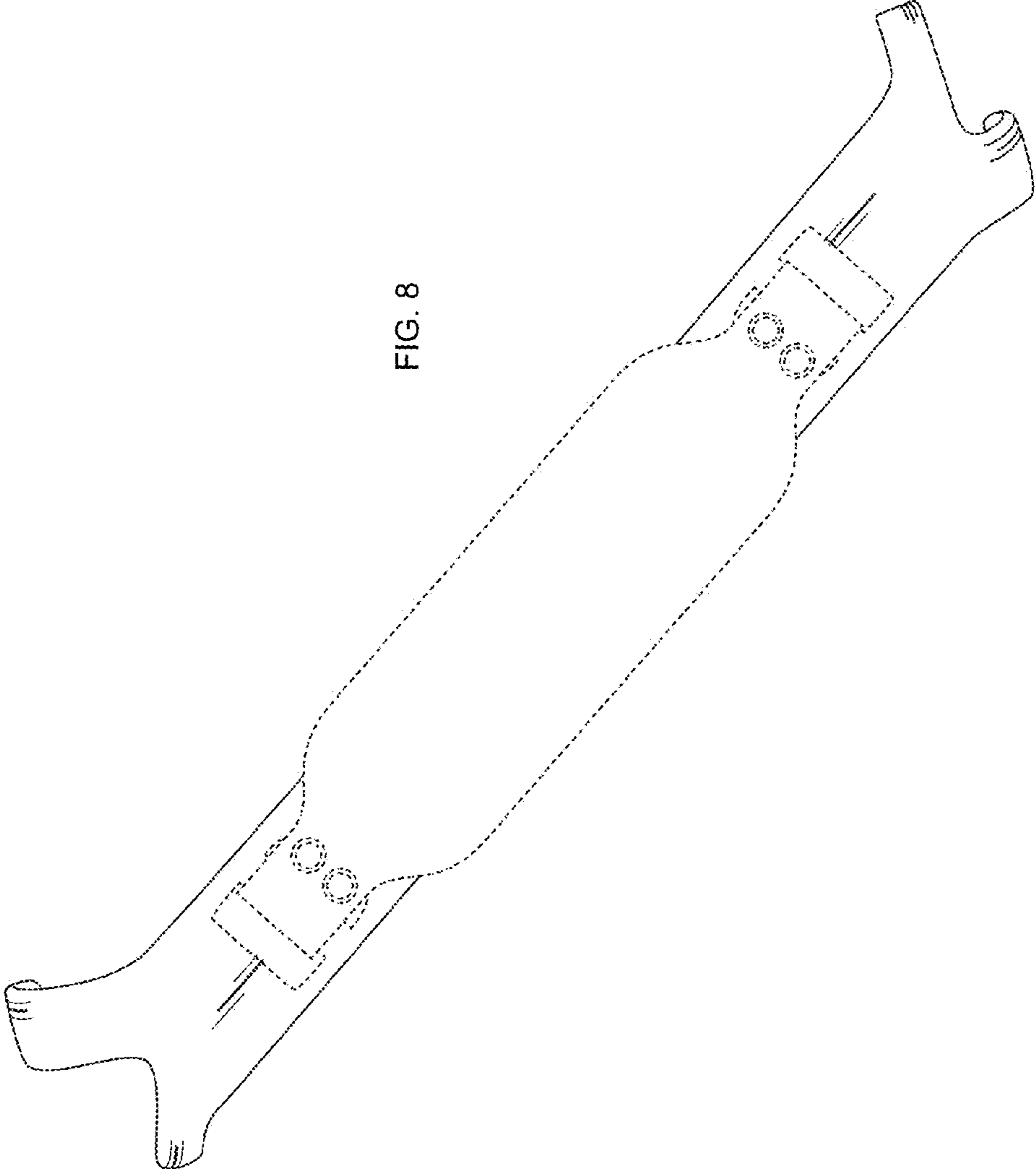


FIG. 8

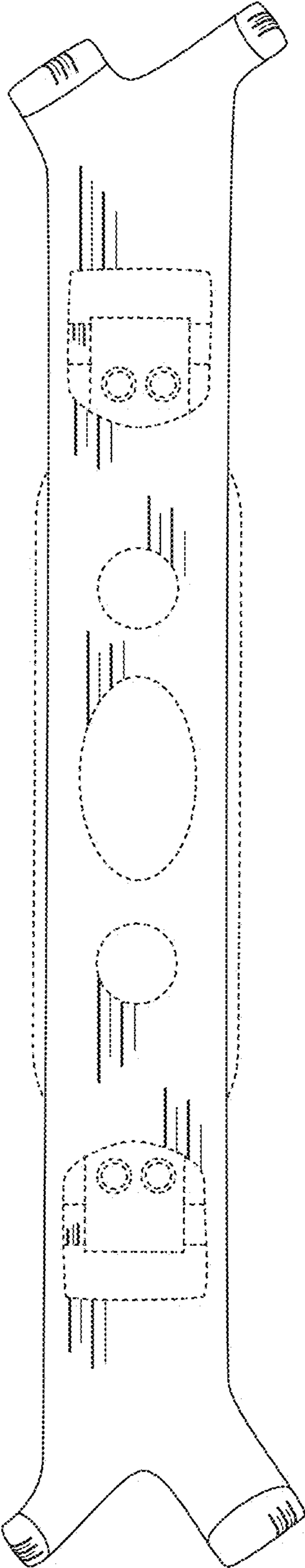


FIG. 9