



US00D709511S

(12) **United States Design Patent**  
**Sparks et al.**

(10) **Patent No.:** **US D709,511 S**

(45) **Date of Patent:** **\*\* Jul. 22, 2014**

(54) **BRACKET MOUNT FOR ELECTRONIC  
TABLET DEVICE**

(56) **References Cited**

U.S. PATENT DOCUMENTS

(71) Applicants: **Randy LaMar Sparks**, Greenbrae, CA  
(US); **Dustin Arthur Mendes**, San  
Francisco, CA (US); **Jestin Eugene  
Wolin**, San Francisco, CA (US); **Eric  
Michael Brown**, San Francisco, CA  
(US)

D486,492	S	*	2/2004	Sheu et al.	.....	D14/434
D671,544	S	*	11/2012	Chun et al.	.....	D14/447
D679,714	S	*	4/2013	Smith et al.	.....	D14/440
D687,441	S	*	8/2013	Janzen	.....	D14/447
D690,709	S	*	10/2013	Clementi	.....	D14/447
D692,008	S	*	10/2013	Feldstein et al.	.....	D14/447
D695,297	S	*	12/2013	Sun et al.	.....	D14/440
D696,670	S	*	12/2013	Schiller et al.	.....	D14/440
D696,671	S	*	12/2013	Carnevali	.....	D14/447
D697,514	S	*	1/2014	Davis et al.	.....	D14/447
D697,516	S	*	1/2014	Feldstein et al.	.....	D14/447
D700,185	S	*	2/2014	Fujioka	.....	D14/447
2012/0043236	A1	*	2/2012	Szucs et al.	.....	206/320

(72) Inventors: **Randy LaMar Sparks**, Greenbrae, CA  
(US); **Dustin Arthur Mendes**, San  
Francisco, CA (US); **Jestin Eugene  
Wolin**, San Francisco, CA (US); **Eric  
Michael Brown**, San Francisco, CA  
(US)

\* cited by examiner

*Primary Examiner* — Angela J Lee

(\*\*) Term: **14 Years**

(57) **CLAIM**

(21) Appl. No.: **29/463,235**

I claim the design for a bracket mount for electronic tablet device, as shown and described.

(22) Filed: **Sep. 16, 2013**

**DESCRIPTION**

(51) **LOC (10) Cl.** ..... **08-07**

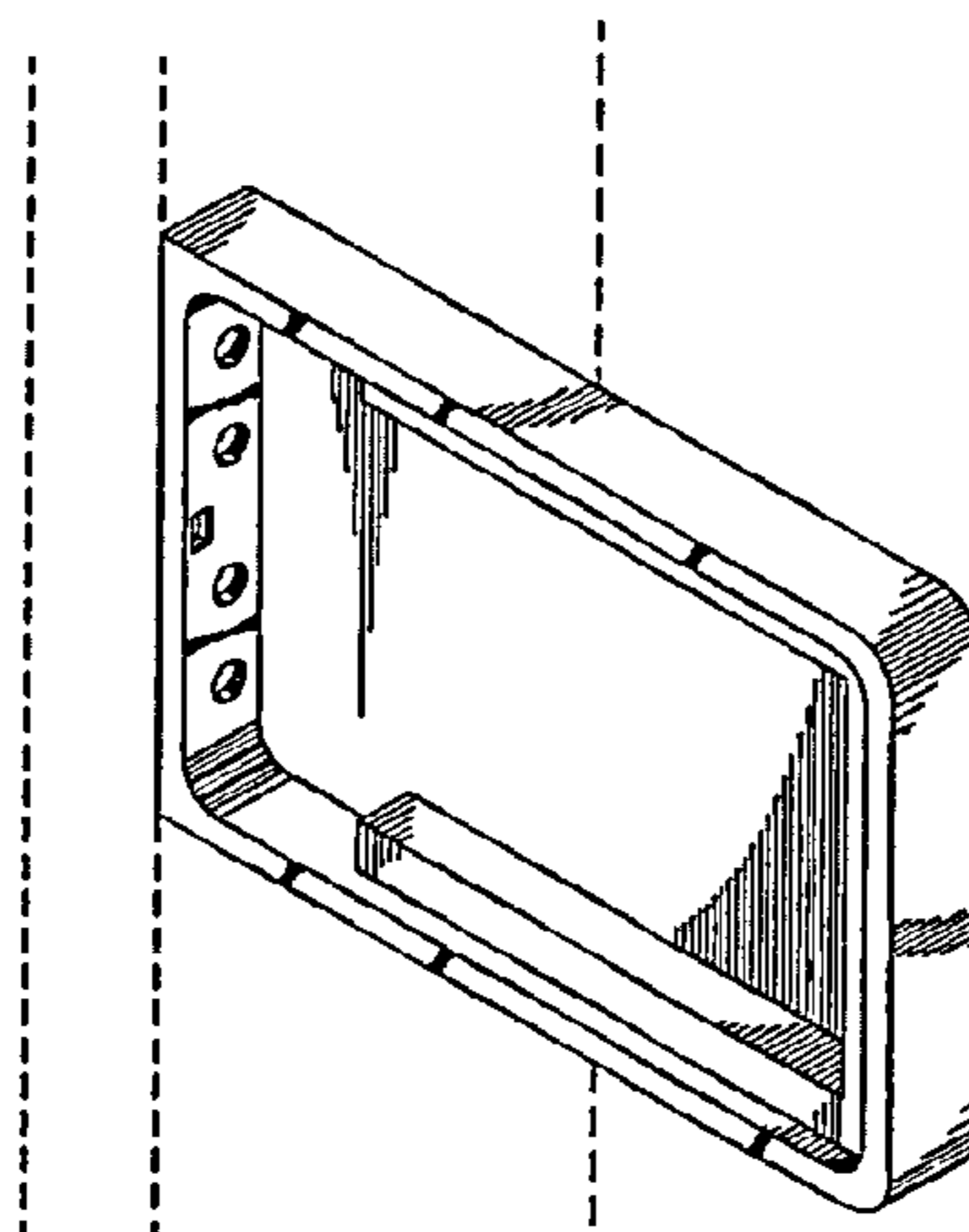
(52) **U.S. Cl.**  
USPC ..... **D14/447**

(58) **Field of Classification Search**  
USPC ..... D14/447, 432, 434, 439, 440, 451, 452,  
D14/457, 460, 461, 238.1, 250, 251, 253;  
D3/218; D6/406.3, 406.4, 406.5,  
D6/406.6; 248/444, 441.1, 188.6,  
248/917-924; 361/679.02, 679.03, 679.04,  
361/679.09, 679.21, 679.26, 679.27, 679.3,  
361/679.55, 679.56

FIG. 1 is an elevation view of the front of the bracket mount for electronic tablet device;  
FIG. 2 is a right side elevation view thereof;  
FIG. 3 is a left side elevation view thereof;  
FIG. 4 is a longitudinal sectional view thereof;  
FIG. 5 is a transverse sectional view thereof; and,  
FIG. 6 is an isometric view thereof.  
The broken line appearing within the figures indicates the vertical surface to which the bracket mount is attached. This vertical surface is shown for illustrative purposes only and is not part of the design.

See application file for complete search history.

**1 Claim, 1 Drawing Sheet**



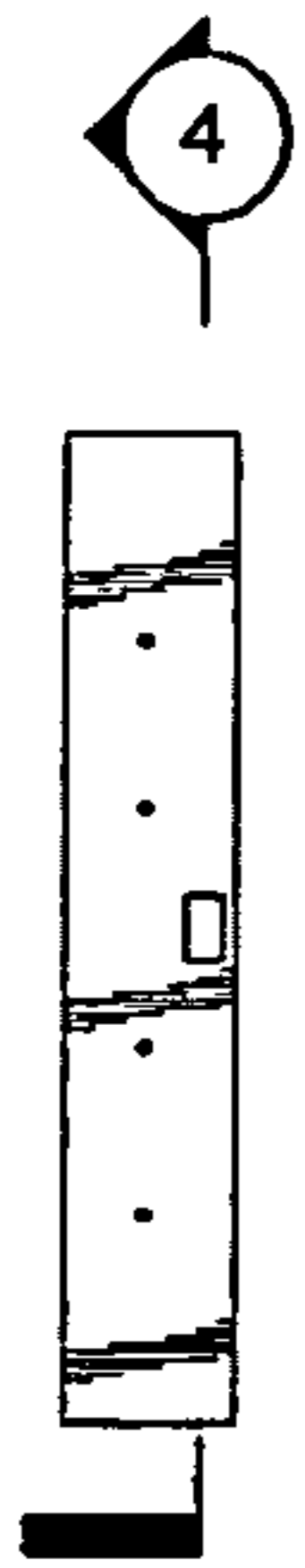


Fig. 3

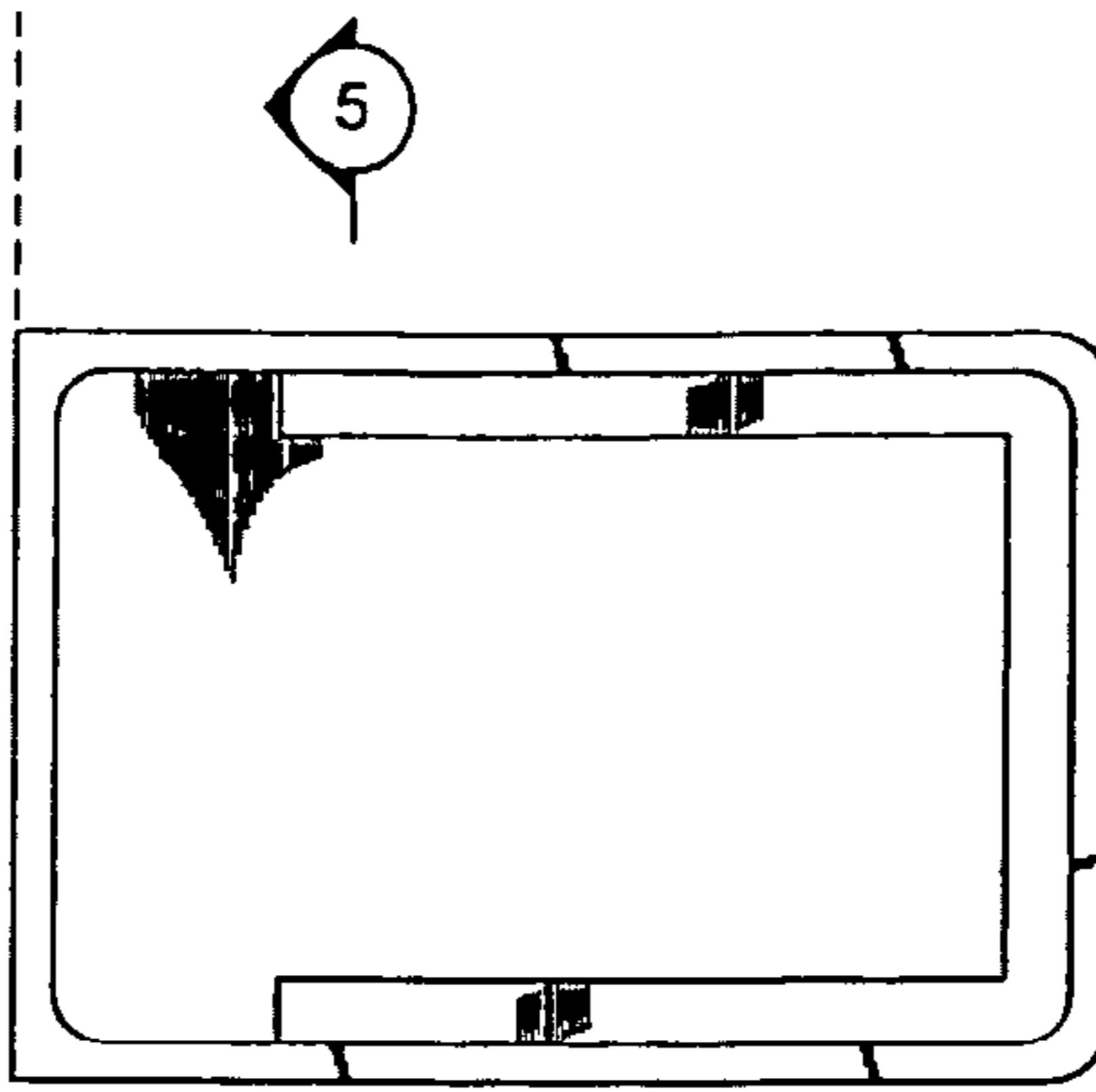


Fig. 1



Fig. 2

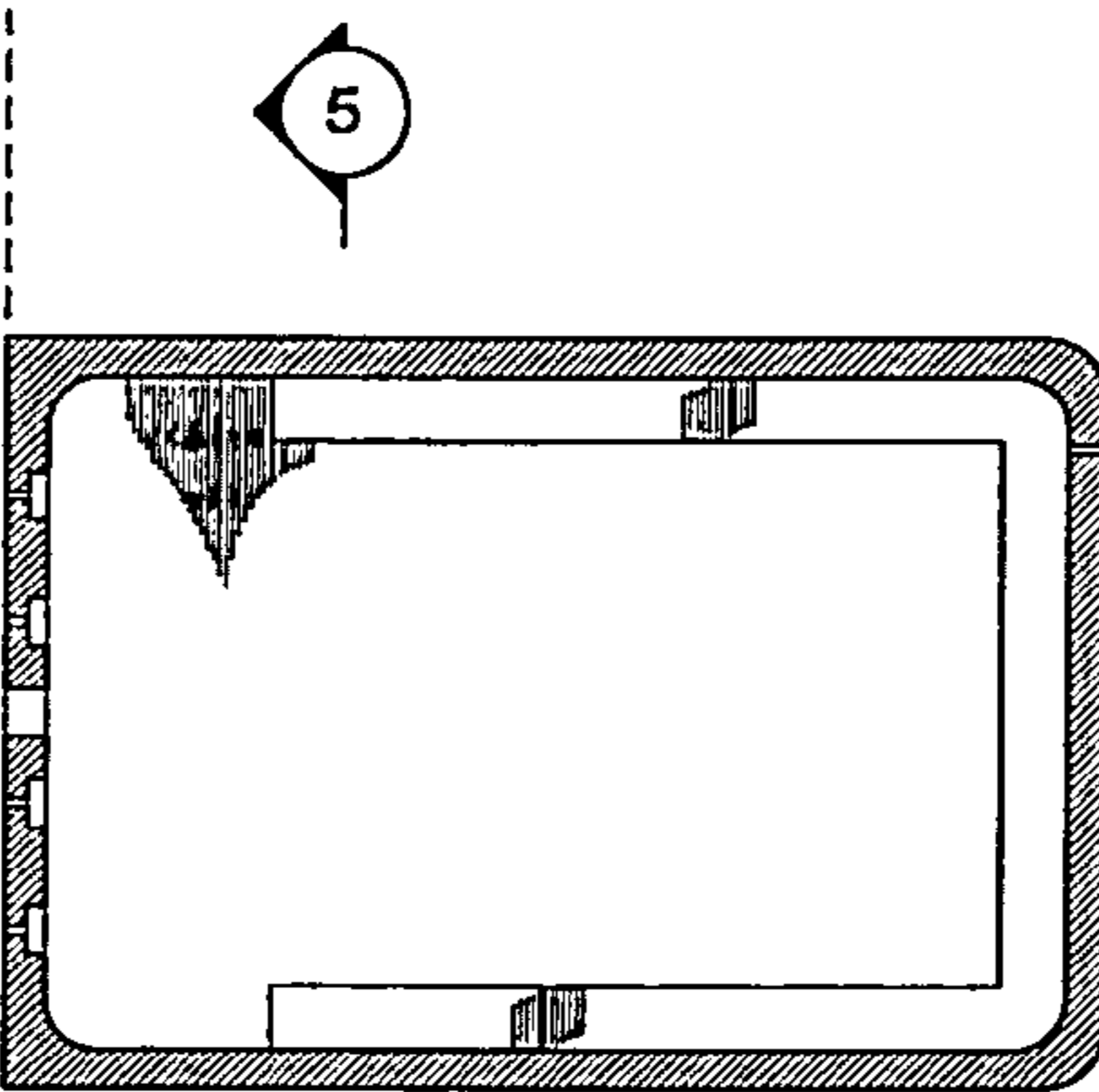


Fig. 4

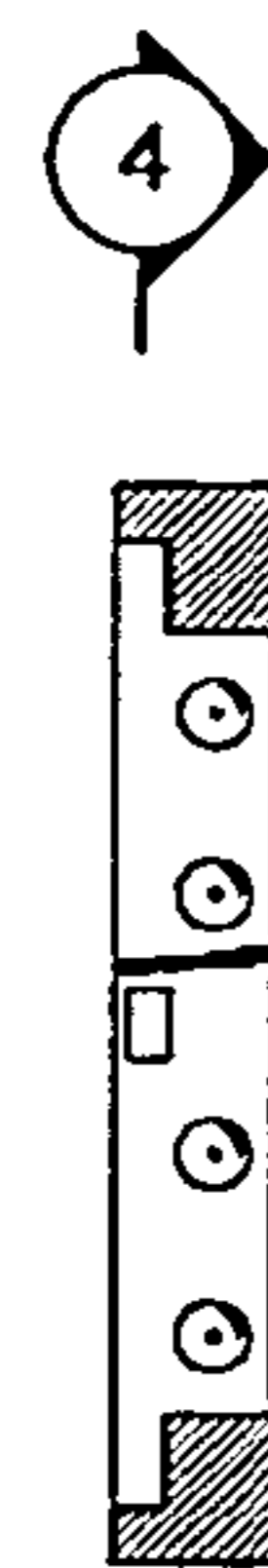


Fig. 5

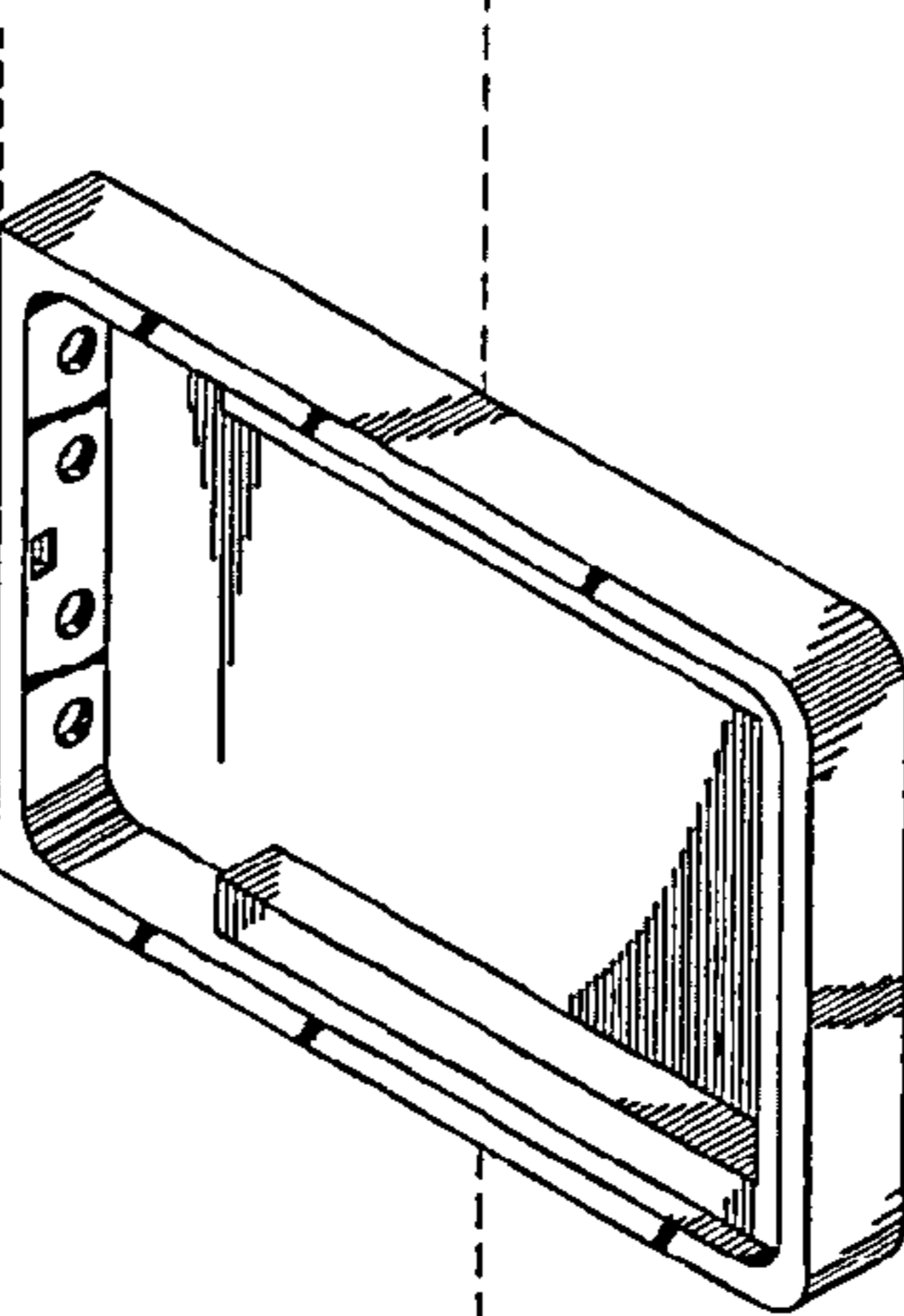


Fig. 6