



US00D709510S

(12) **United States Design Patent**
Soare

(10) **Patent No.:** **US D709,510 S**
(45) **Date of Patent:** **** Jul. 22, 2014**

(54) **TABLET COVER**
(75) Inventor: **Marian I. Soare**, Pilot Mountain, NC
(US)
(73) Assignee: **Hatch, Inc.**, Winston-Salem, NC (US)
(**) Term: **14 Years**
(21) Appl. No.: **29/414,553**
(22) Filed: **Feb. 29, 2012**
(51) **LOC (10) Cl.** **14-02**
(52) **U.S. Cl.**
USPC **D14/440**
(58) **Field of Classification Search**
USPC D14/250, 251, 253, 240, 217, 496, 440,
D14/203.3, 203.4, 203.5, 203.8, 341, 318;
D3/218, 215, 201, 294, 289, 900;
220/4.02; 248/309.1; 361/679.56;
379/426, 433.11, 455; 455/575.1,
455/575.8; 190/100; 206/305, 320;
D21/469

See application file for complete search history.

(56) **References Cited**

U.S. PATENT DOCUMENTS

D248,355 S * 7/1978 Tougas et al. D6/300
5,319,808 A 6/1994 Bishop et al.
D357,918 S * 5/1995 Doria D14/218
5,529,184 A 6/1996 Sadow
5,583,742 A * 12/1996 Noda et al. 361/679.21
5,641,074 A * 6/1997 Smed 211/11
5,648,757 A * 7/1997 Vernace et al. 340/539.32
D397,246 S * 8/1998 Hoofnagle et al. D3/201
5,888,813 A * 3/1999 Endl et al. 435/338
D435,726 S * 1/2001 Gomez D3/276
6,213,669 B1 * 4/2001 Yamamoto 402/73
6,498,719 B1 12/2002 Bridges
6,616,111 B1 * 9/2003 White 248/309.1
D510,316 S * 10/2005 Hayakawa D13/102

7,031,146 B2 * 4/2006 Tanaka et al. 361/679.06
7,106,580 B2 9/2006 Kugimiya et al.
D537,441 S * 2/2007 Bruker D14/341
D584,510 S * 1/2009 Lown et al. D3/301
D592,646 S * 5/2009 Sun et al. D14/218
D598,195 S * 8/2009 Lown et al. D3/301
D601,557 S * 10/2009 Wesolek D14/341
D624,615 S * 9/2010 Kusmierz D21/686
D634,313 S * 3/2011 Fitzpatrick et al. D14/250
D634,781 S * 3/2011 Hertrich, Jr. D19/26
7,938,260 B2 * 5/2011 Lin 206/320

(Continued)

OTHER PUBLICATIONS

Internet advertisement for Fuhu, Inc. Nabi, Nabi and Nabi2 android tablet with silicone bumper at <http://www.nabitablet.com>.

(Continued)

Primary Examiner — Cynthia Underwood
(74) *Attorney, Agent, or Firm* — Quarles & Brady, LLP

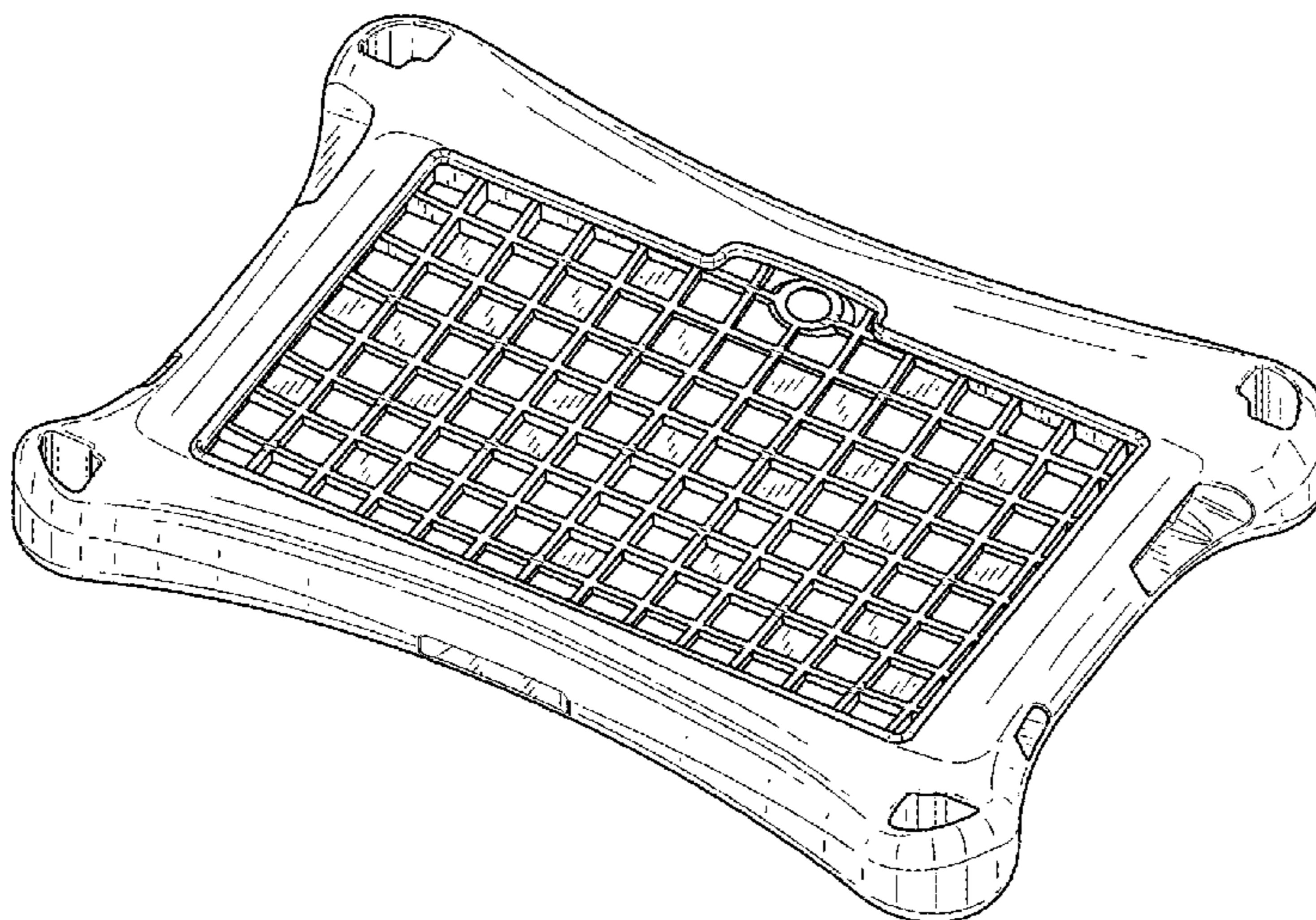
(57) **CLAIM**

The ornamental design for a tablet cover, as shown and described.

DESCRIPTION

FIG. 1 is an isometric view of a top, front, and right side of an ornamental design for a tablet cover;
FIG. 2 is a top plan view of the tablet cover of FIG. 1;
FIG. 3 is a bottom plan view of the tablet cover of FIG. 1;
FIG. 4 is a front elevational view of the tablet cover of FIG. 1;
FIG. 5 is a rear elevational view of the tablet cover of FIG. 1;
FIG. 6 is a right side elevational view of the tablet cover of FIG. 1; and,
FIG. 7 is a left side elevational view of the tablet cover of FIG. 1.
The broken lines in the drawings depict environmental subject matter only and form no part of the claimed design.

1 Claim, 3 Drawing Sheets



(56)

References Cited

U.S. PATENT DOCUMENTS

D649,144	S	*	11/2011	Fathollahi	D14/250
D652,214	S	*	1/2012	Swartz et al.	D3/301
D656,135	S	*	3/2012	Swartz et al.	D14/250
D668,245	S	*	10/2012	Bau	D14/250
D668,660	S	*	10/2012	Norfolk	D14/440
D668,661	S	*	10/2012	Norfolk	D14/440
D674,386	S	*	1/2013	Mak	D14/341
D674,801	S	*	1/2013	Wharram	D14/440
D681,327	S	*	5/2013	Lin	D3/269
D686,629	S	*	7/2013	Trinh et al.	D14/447
2011/0228459	A1		9/2011	Richardson et al.		

OTHER PUBLICATIONS

Internet advertisement of Fuhu, Inc. Nabi, Nabi2 Bumper, silicone bumper with name plate at <http://nabitablet.com>.
 Internet advertisement for Big Grips Frame iPad case for iPad and iPad2 at <http://biggrips.com>.
 Internet advertisement for Gumdrop Cases, Drop Tech Series cases for an iPhone 4s & 4 case at <http://www.gumdropcases.com>.
 Internet advertisement for Gumdrop Cases, Drop Tech Series cases for an iPad2 case at <http://www.gumdropcases.com>.
 Internet advertisement for Gumdrop Cases, Gumdrop Skin Soft iPhone 4s & 4 cases at <http://www.gumdropcases.com>.
 Internet advertisement for Gumdrop Cases, Air Shell iPhone 4 hard case—Skater Nation at <http://www.gumdropcases.com>.
 Internet advertisement for Gumdrop Cases, Drop Tech Series, Military Edition iPad2 case at <http://www.gumdropcases.com>.
 Internet advertisement for Hard Candy Cases, iPad Squish Skin a squishy air filled iPad case at <http://www.hardcandycases.com>.

Internet advertisement for Hard Candy Cases, Street Skin iPad case for iPad 2 at <http://www.hardcandycases.com>.
 Internet advertisement for Incipio, LG G-Slate Tablet Silicylic Kickstand Hard Shell Case with Silicone Core at <http://www.myincipio.com>.
 Internet advertisement for Incipio, iPad Hive Honeycomb dermaSHOT Silicone case at <http://www.myincipio.com>.
 Internet advertisement for Incipio, iPad 1337 Silicone Gaming case at <http://www.myincipio.com>.
 Internet Advertisement for Speck Products, iGuy tablet case for iPad & iPad2 a <http://www.speckproducts.com>.
 Internet advertisement for Speck Products, SmartShell tablet case for iPad2 at <http://www.speckproducts.com>.
 Internet advertisement for Speck Products, Pixel Skin case for iPhone 4S/4 and 3GS at <http://www.speckproducts.com>.
 Internet advertisement for Speck Products, Pixel Skin HD case for iPhone 4S/4 at <http://www.speckproducts.com>.
 Internet advertisement for Speck Products, HandyShell tablet case for iPad2 at <http://www.speckproducts.com>.
 Internet advertisement for Speck Products, Pixel Skin HD Wrap tablet case for iPad2 at <http://www.speckproducts.com>.
 Internet advertisement for Speck Products, Pixel Skin HD case for iPod touch at <http://www.speckproducts.com>.
 Internet advertisement for Speck Products, Pixel Skin case for iPod touch at <http://www.speckproducts.com>.
 Internet advertisement for Speck Products, GeoMetric case for iPhone 4S/4 at <http://www.speckproducts.com>.
 Internet review of American Industrial Systems RPDA37 ruggedized windows handheld computer similar to Newport Digital's N37B chunky handheld at <http://www.windowsfordevices.com>.

* cited by examiner

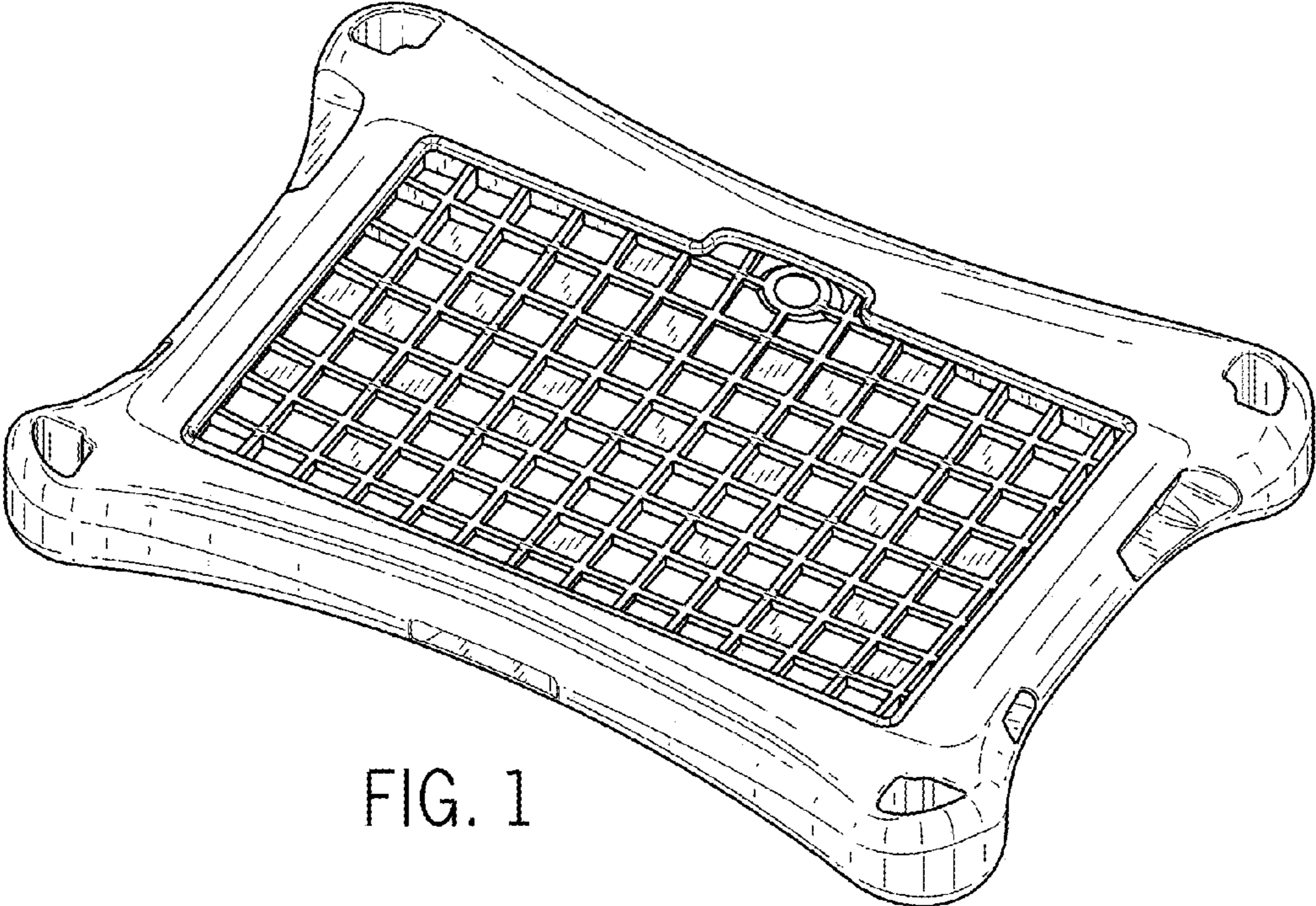


FIG. 1

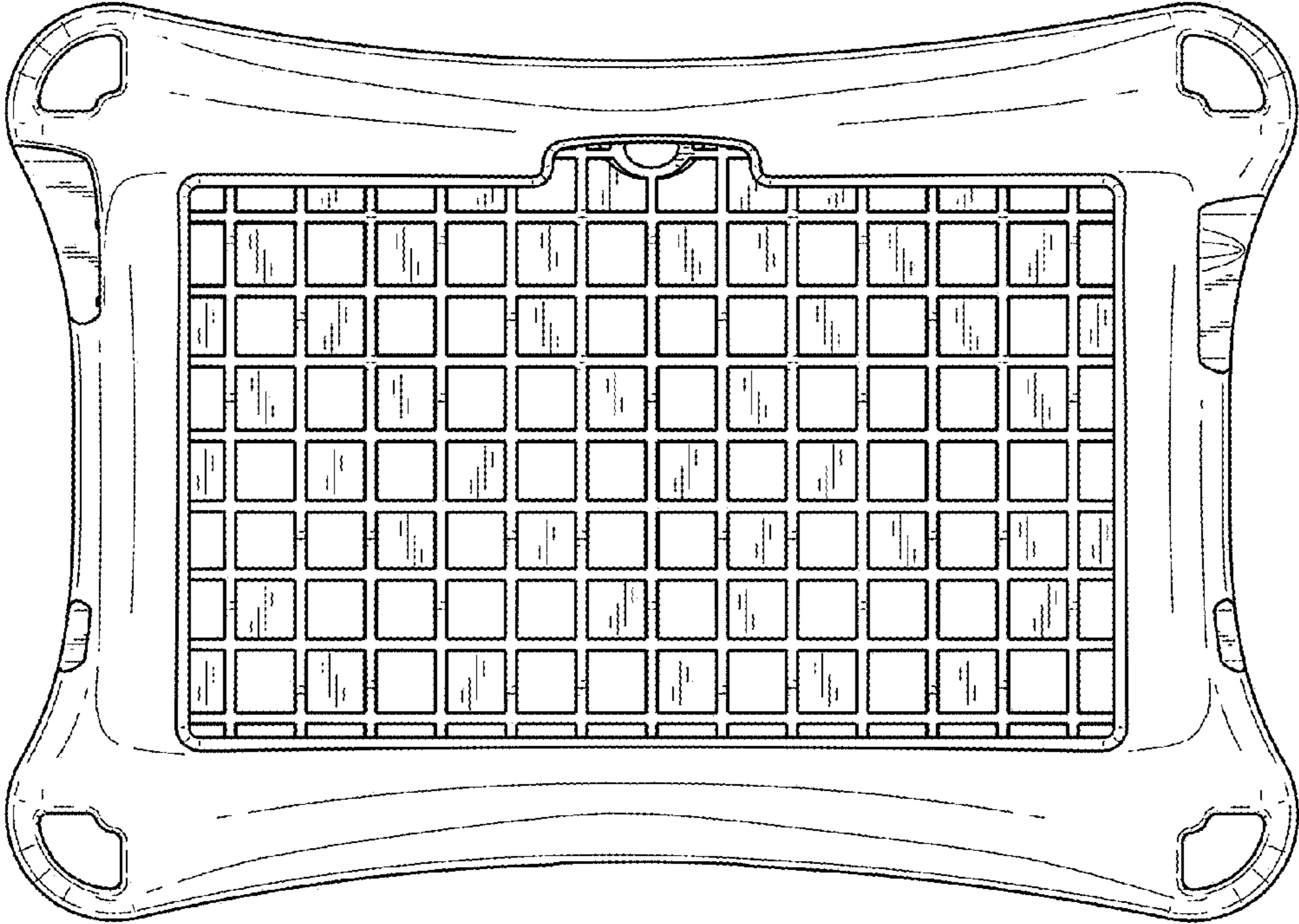


FIG. 2

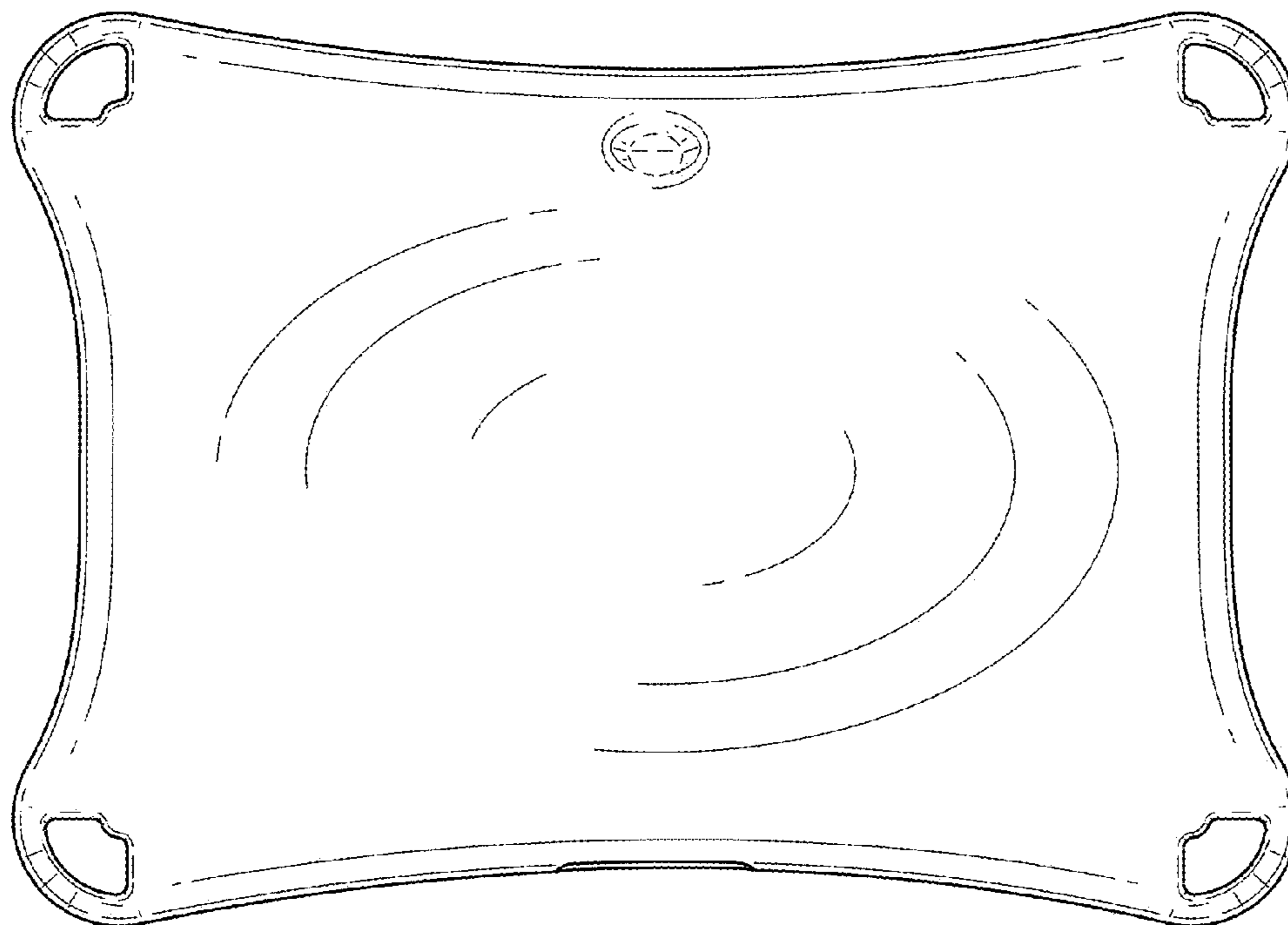


FIG. 3

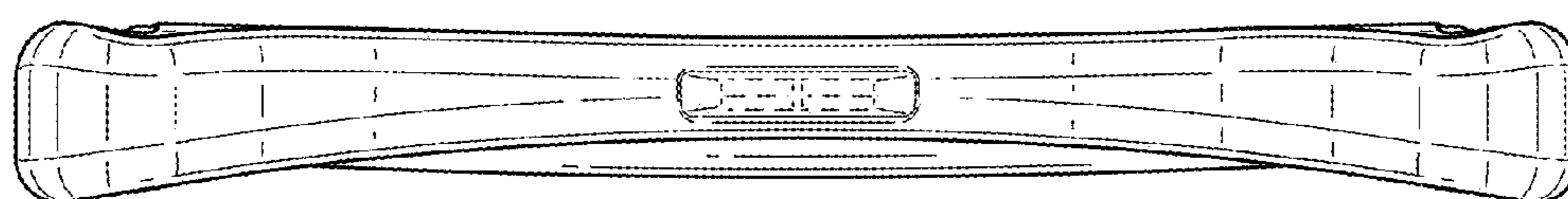


FIG. 4

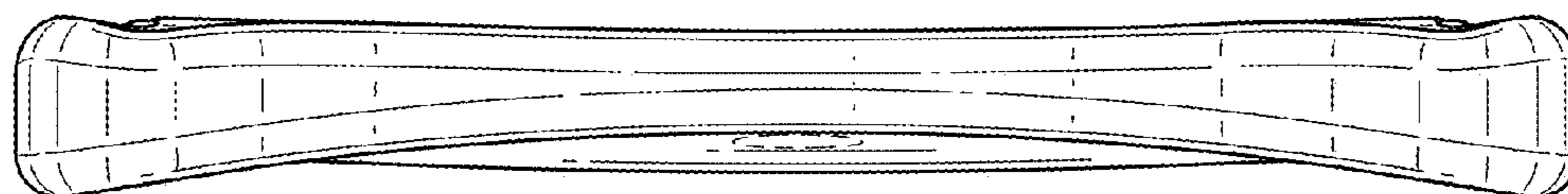


FIG. 5

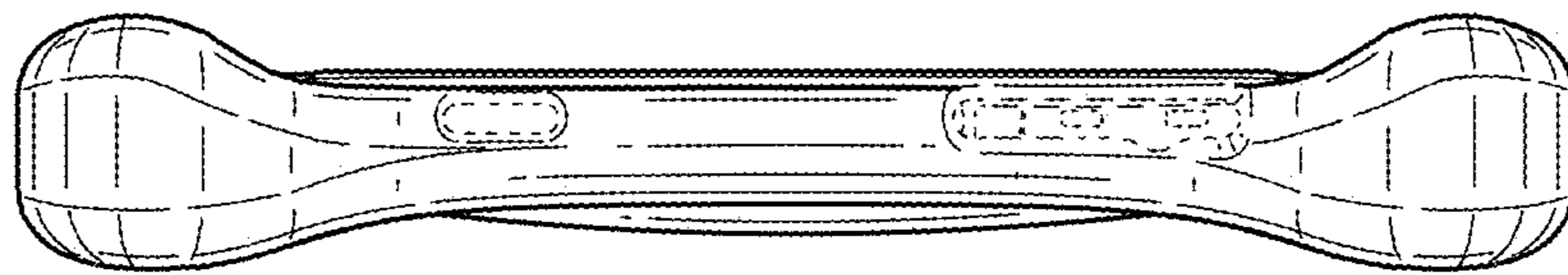


FIG. 6

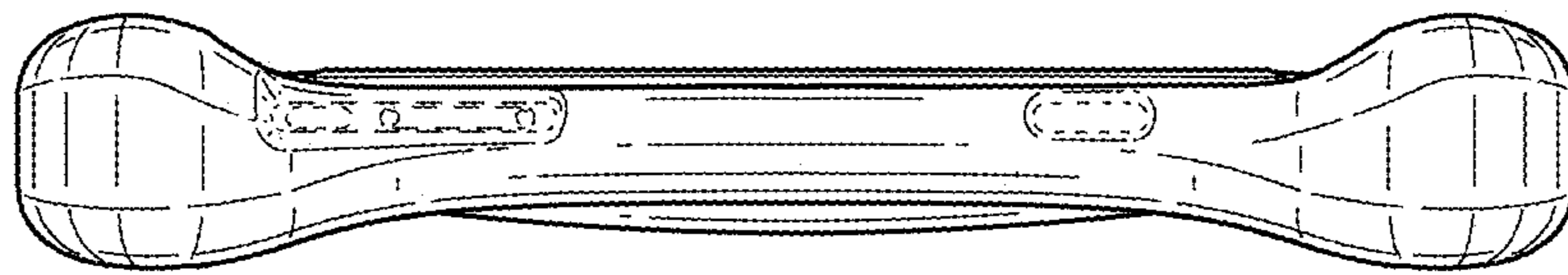


FIG. 7