



US00D709509S

(12) **United States Design Patent**
Kim

(10) **Patent No.:** **US D709,509 S**

(45) **Date of Patent:** **** Jul. 22, 2014**

(54) **MOBILE DISPLAY APPARATUS**

(76) Inventor: **Yong Sun Kim**, Gunsan-si (KR)

(**) Term: **14 Years**

(21) Appl. No.: **29/413,974**

(22) Filed: **Feb. 23, 2012**

(30) **Foreign Application Priority Data**

Aug. 23, 2011 (KR) 30-2011-0035101

(51) **LOC (10) CL.** **14-02**

(52) **U.S. Cl.**
USPC **D14/440**

(58) **Field of Classification Search**
USPC D14/447, 440, 439, 250, 251, 252, 432;
361/679.56; 220/4.02
See application file for complete search history.

(56) **References Cited**

U.S. PATENT DOCUMENTS

D469,438	S *	1/2003	Corrales	D14/432
D473,562	S *	4/2003	Russell	D14/447
7,542,052	B2 *	6/2009	Solomon et al.	345/659
D609,226	S *	2/2010	Hofer et al.	D14/248
D615,078	S *	5/2010	Bradley	D14/250
D625,303	S *	10/2010	Kim	D14/250
D641,756	S *	7/2011	Hsieh et al.	D14/440
8,016,107	B2 *	9/2011	Emsky	206/320
D646,266	S *	10/2011	Kim et al.	D14/250
D651,606	S *	1/2012	Luijben	D14/447
D654,069	S *	2/2012	Kwon et al.	D14/250
8,132,670	B1 *	3/2012	Chen	206/320
D659,139	S *	5/2012	Gengler	D14/392
D662,503	S *	6/2012	Akana et al.	D14/439
D665,809	S *	8/2012	Wang et al.	D14/439
8,245,843	B1 *	8/2012	Wu	206/320
D673,569	S *	1/2013	Smith et al.	D14/440
D673,958	S *	1/2013	Fathollahi	D14/440
D674,803	S *	1/2013	Westrup	D14/440

D674,804	S *	1/2013	Cote	D14/447
D675,210	S *	1/2013	Kim	D14/440
D678,290	S *	3/2013	Smith et al.	D14/440
2010/0289390	A1 *	11/2010	Kenney	312/223.1

* cited by examiner

Primary Examiner — Cynthia Underwood
(74) *Attorney, Agent, or Firm* — Stein IP, LLC

(57) **CLAIM**

The ornamental design for a mobile display apparatus, as shown and described.

DESCRIPTION

FIG. 1 is a perspective view of a mobile display apparatus showing my new design;
 FIG. 2 is a front view thereof;
 FIG. 3 is a rear view thereof;
 FIG. 4 is a left side view thereof;
 FIG. 5 is a right side view thereof;
 FIG. 6 is a top plan view thereof;
 FIG. 7 is a bottom plan view thereof;
 FIG. 8 is a front view thereof shown in an environment of use wherein a user holds the mobile display apparatus by inserting his index finger, middle finger, and ring finger into a center opening;
 FIG. 9 is a front view thereof shown in an environment of use wherein the user holds the mobile display apparatus by inserting his index finger into a side opening;
 FIG. 10 is a front view thereof shown in an environment of use wherein the user holds the mobile display apparatus by inserting his thumb into the center opening; and,
 FIG. 11 is a right side view thereof shown in an environment of use.
 The broken lines are included for illustrative purposes only and form no part of the claimed design.

1 Claim, 9 Drawing Sheets

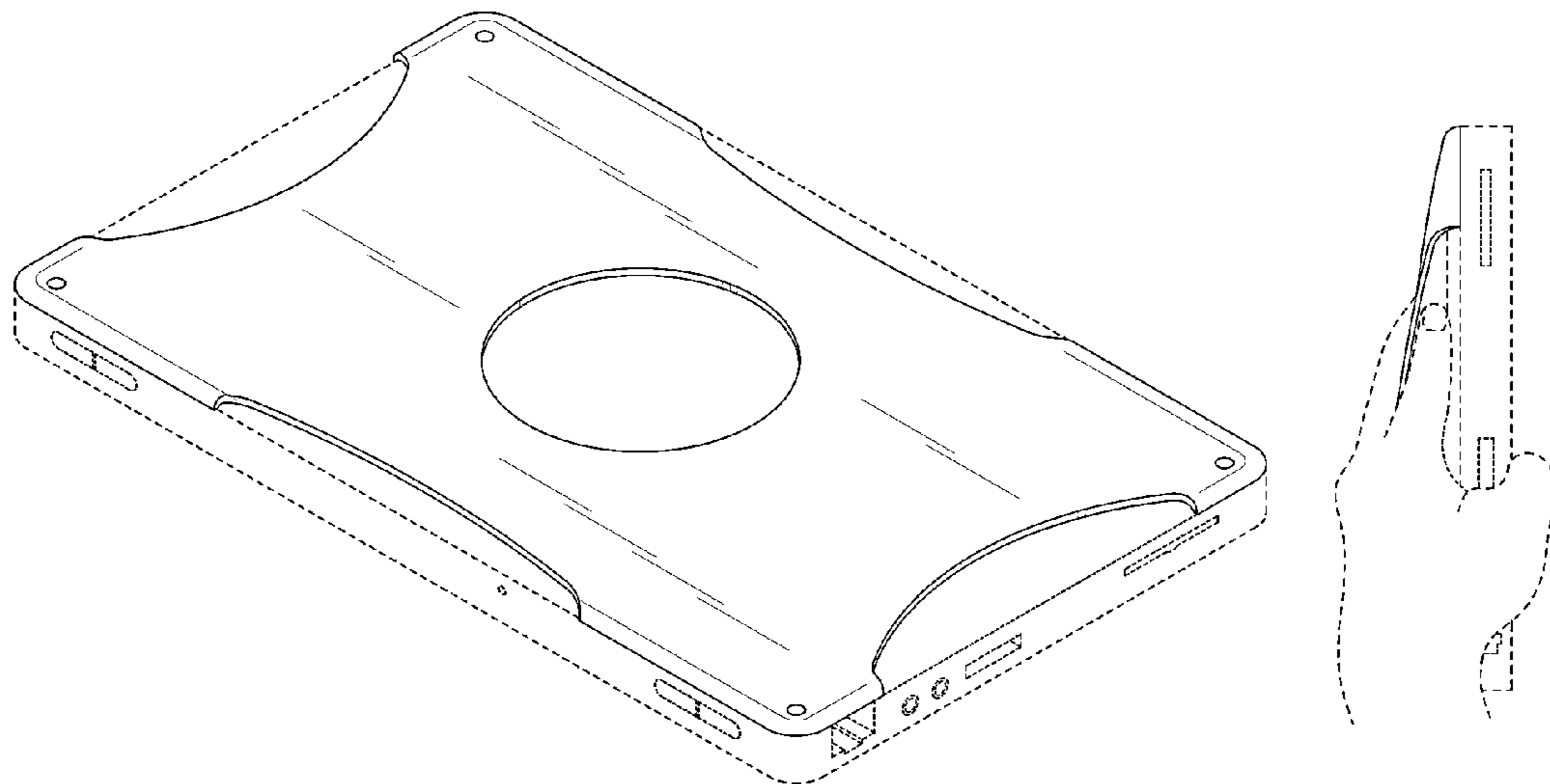


FIG. 1

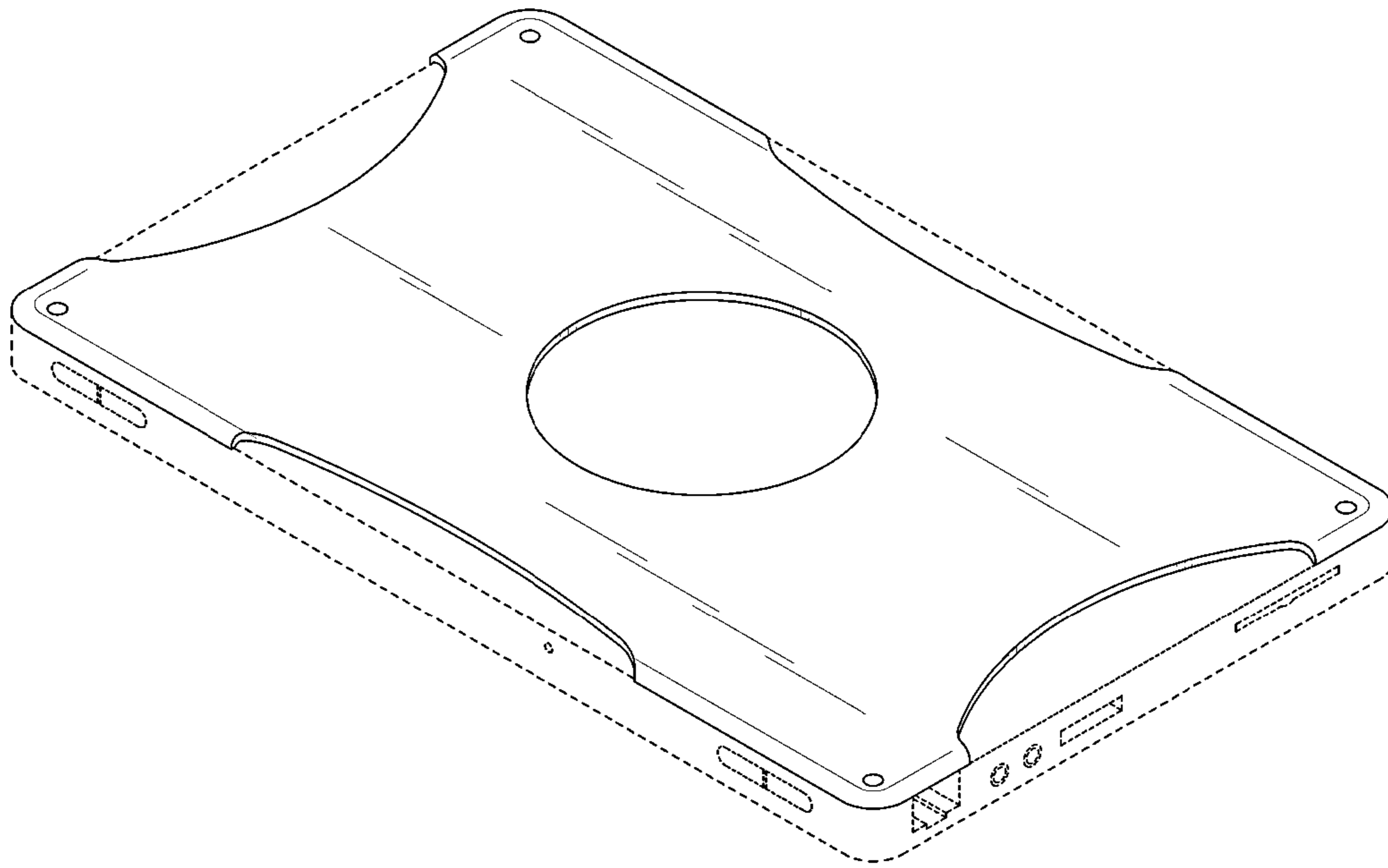


FIG. 2

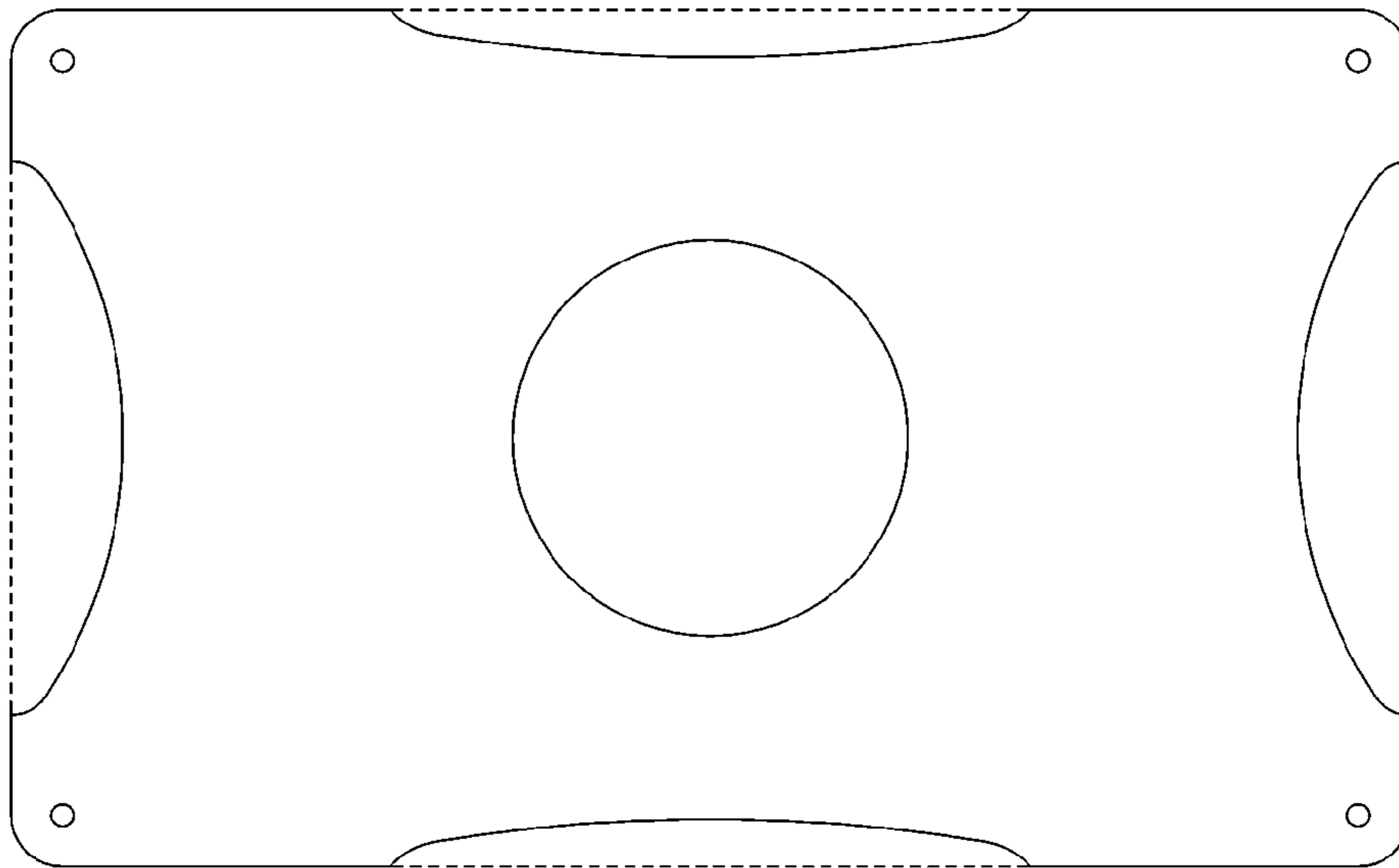


FIG. 3



FIG. 4

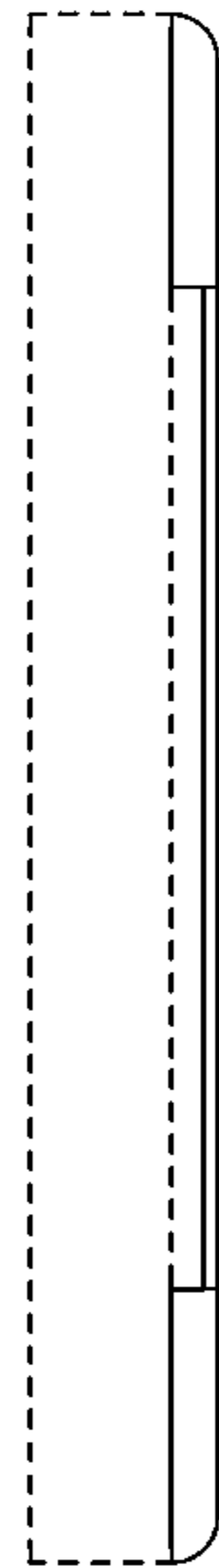


FIG. 5

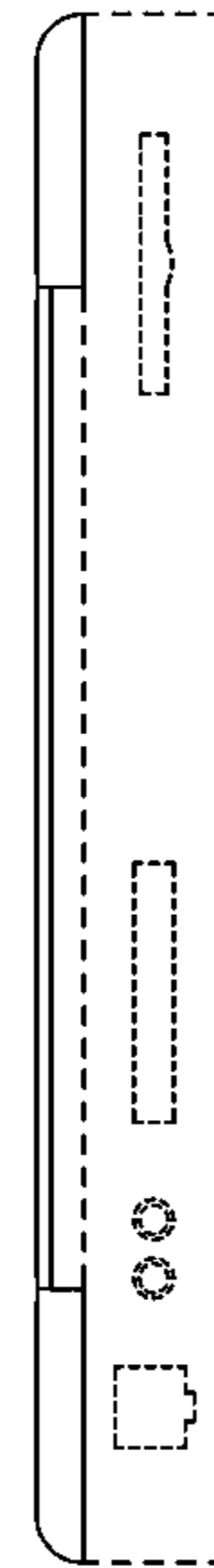


FIG. 6



FIG. 7

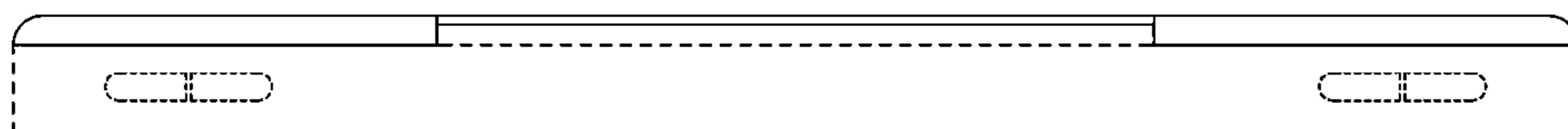


FIG. 8

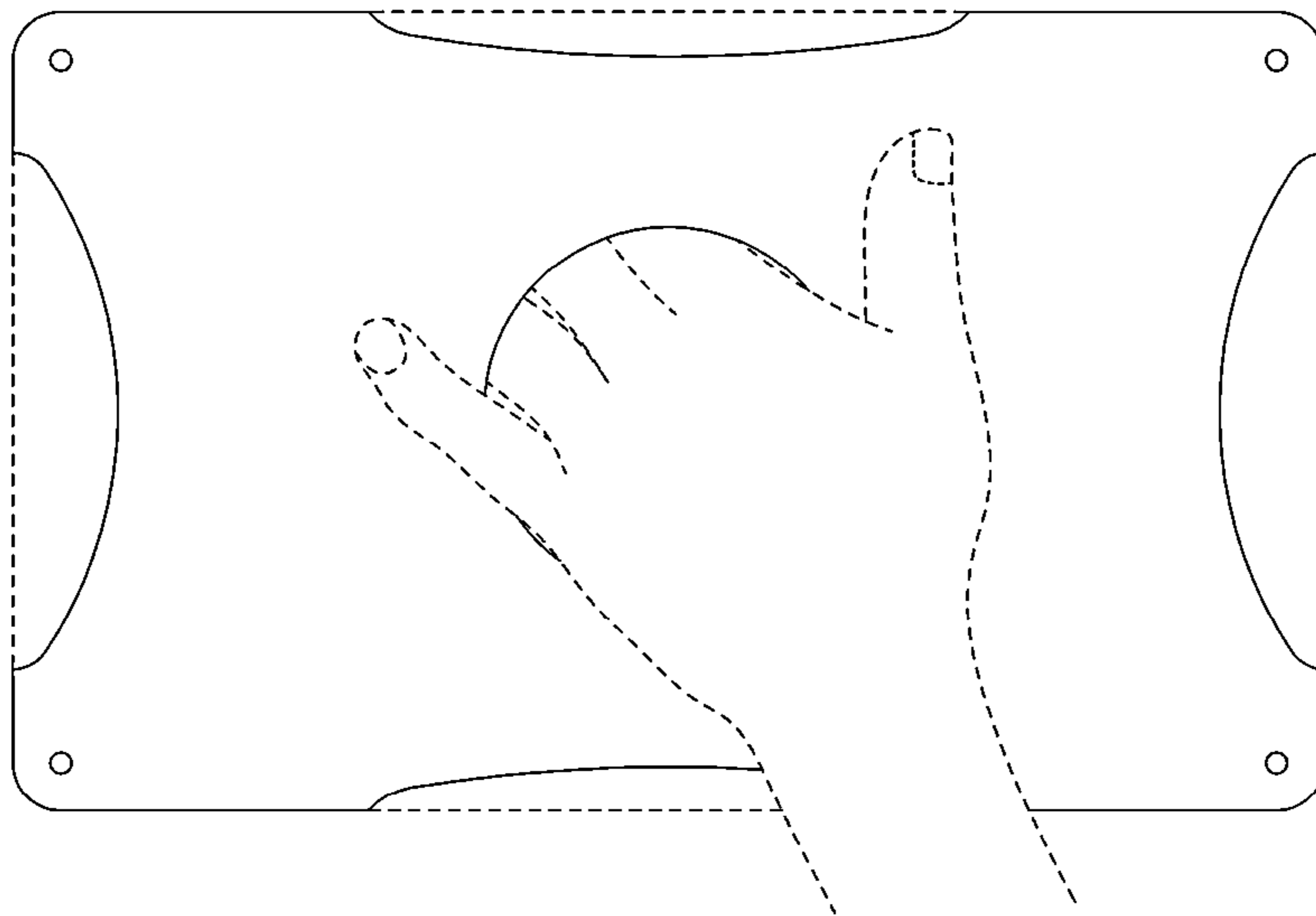


FIG. 9

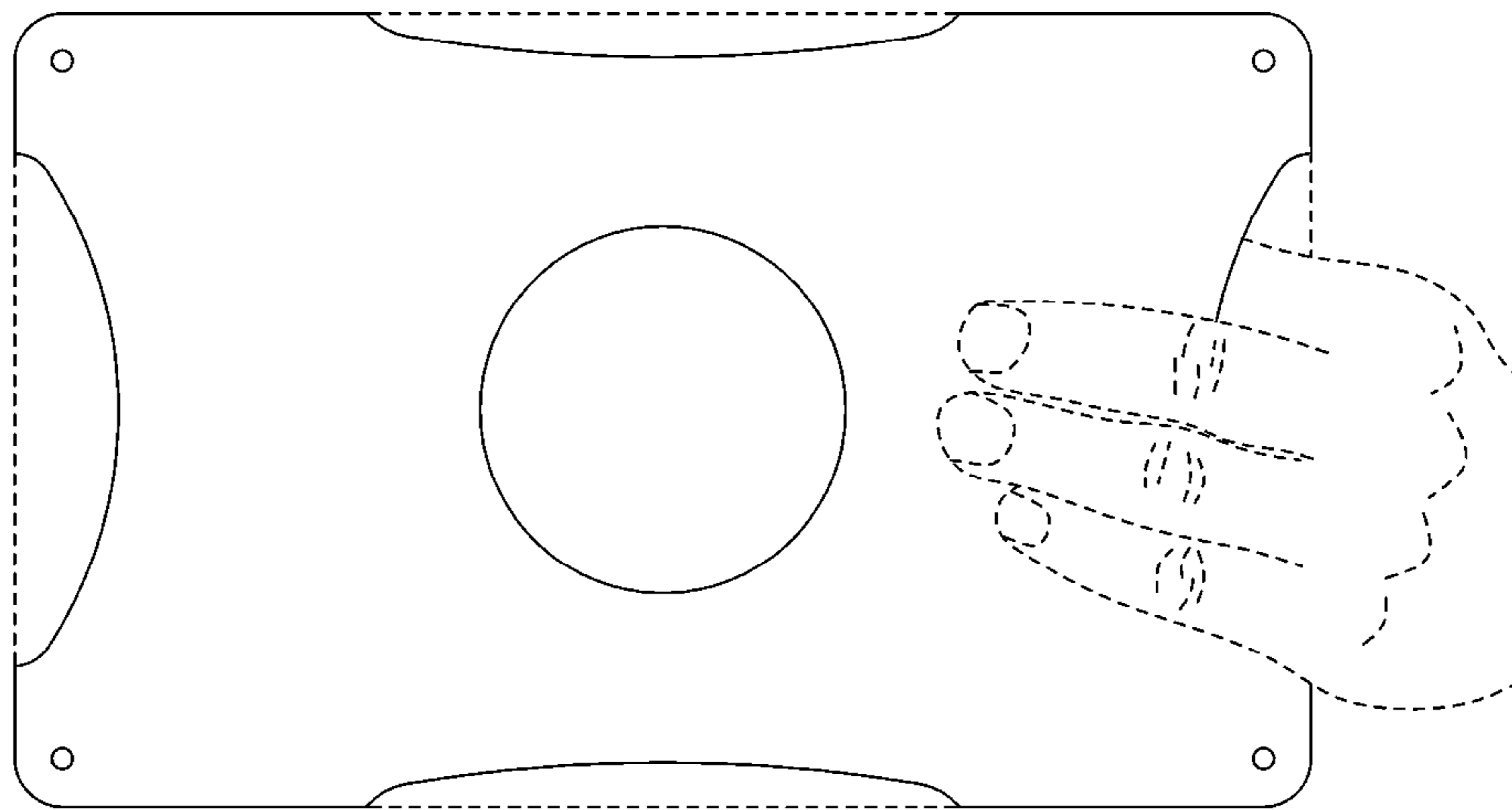


FIG. 10

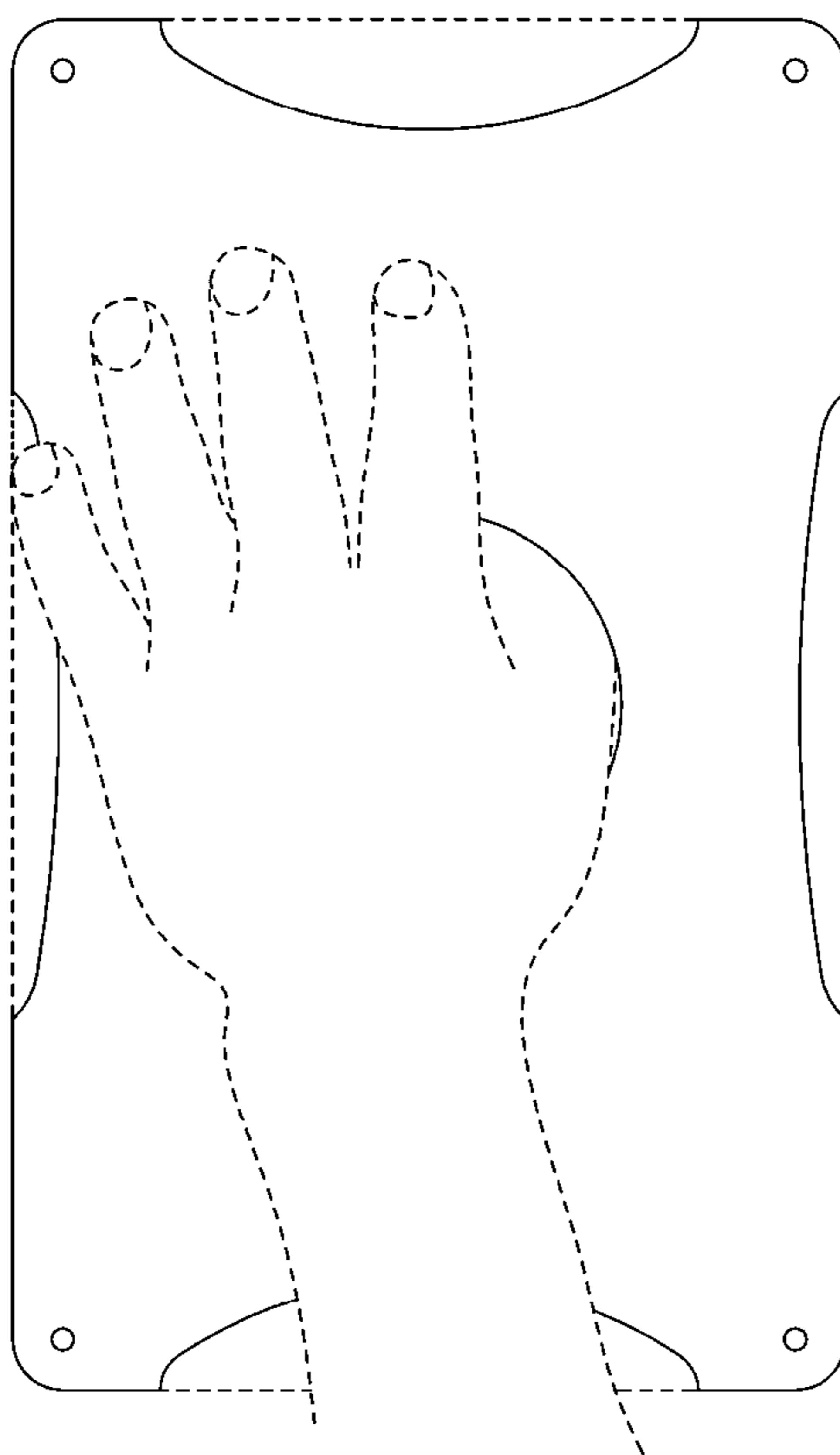


FIG. 11

