



US00D709506S

(12) **United States Design Patent**
Lee

(10) **Patent No.:** **US D709,506 S**
(45) **Date of Patent:** **** Jul. 22, 2014**

(54) **DOCKING STATION FOR PORTABLE MEDIA PLAYER**

(71) Applicant: **Coby Electronics Corp.**, Lake Success, NY (US)

(72) Inventor: **Johann Lee**, Syosset, NY (US)

(73) Assignee: **CBY Holdings, LLC**, Boston, MA (US)

(**) Term: **14 Years**

(21) Appl. No.: **29/450,911**

(22) Filed: **Mar. 26, 2013**

Related U.S. Application Data

(63) Continuation of application No. 29/417,976, filed on Apr. 11, 2012, now Pat. No. Des. 680,540.

(51) **LOC (10) Cl.** **14-02**

(52) **U.S. Cl.**
USPC **D14/434**; D14/217

(58) **Field of Classification Search**
USPC D14/217, 432, 434; D8/373; D13/107, D13/108, 146; 248/176.1; 320/109, 320/112-115; 361/679.4, 679.31-679.33, 361/679.41, 679.43, 679.55; 455/557; 710/15, 303

See application file for complete search history.

(56) **References Cited**

U.S. PATENT DOCUMENTS

D331,573 S	12/1992	Iino	
D505,958 S	6/2005	Cheng	
D510,091 S	9/2005	Mori et al.	
D625,729 S	10/2010	McNames et al.	
D633,503 S	3/2011	Bo et al.	
D680,540 S *	4/2013	Lee	D14/434
2003/0048599 A1	3/2003	Martin	
2008/0219488 A1	9/2008	Crooijmans et al.	

* cited by examiner

Primary Examiner — Freda S Nunn

(74) *Attorney, Agent, or Firm* — Neal Gerber & Eisenberg LLP

(57) **CLAIM**

The ornamental design for a docking station for portable media player, as shown and described.

DESCRIPTION

A portion of the disclosure of this patent document contains material to which a claim for copyright is made. The copyright owner has no objection to the facsimile reproduction by anyone of the patent document or the patent disclosure, as it appears in the Patent and Trademark Office patent file or records, but reserves all other copyright rights whatsoever.

FIG. 1 is a top front perspective view of a docking station for portable media player according to an first embodiment of my new design;

FIG. 2 is a top front perspective view thereof;

FIG. 3 is a front view thereof;

FIG. 4 is a top view thereof;

FIG. 5 is a rear view thereof;

FIG. 6 is a bottom view thereof;

FIG. 7 is a left side view thereof; and

FIG. 8 is a right side view thereof.

FIG. 9 is a top front perspective view of a docking station for portable media player according to an second embodiment of my new design;

FIG. 10 is a top front perspective view thereof;

FIG. 11 is a front view thereof;

FIG. 12 is a top view thereof;

FIG. 13 is a rear view thereof;

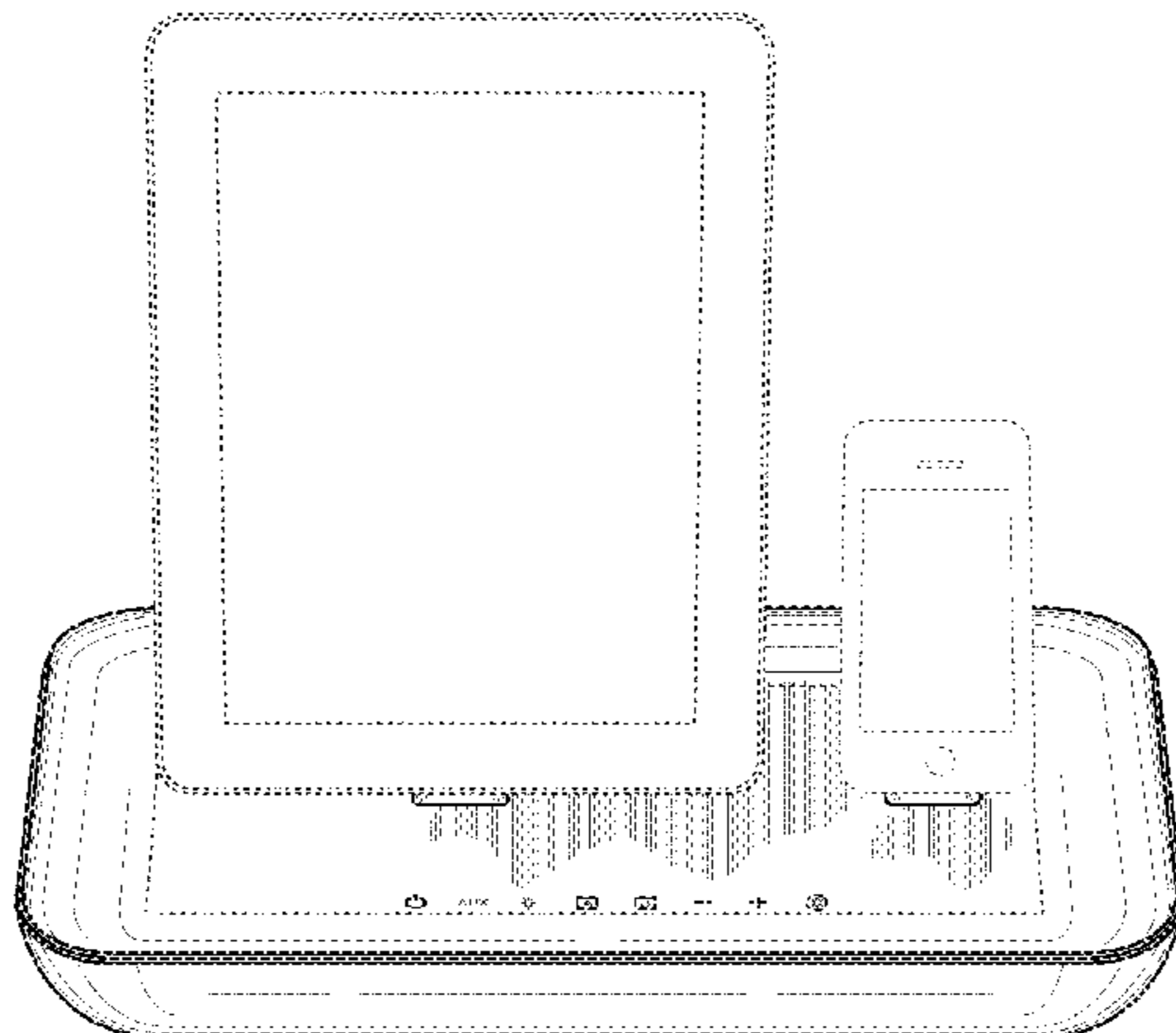
FIG. 14 is a bottom view thereof;

FIG. 15 is a left side view thereof; and,

FIG. 16 is a right side view thereof.

The broken lines shown in the drawings illustrate portions of the docking station and form no part of the claimed design, and the shade lines shown throughout are understood to represent contour only.

1 Claim, 8 Drawing Sheets



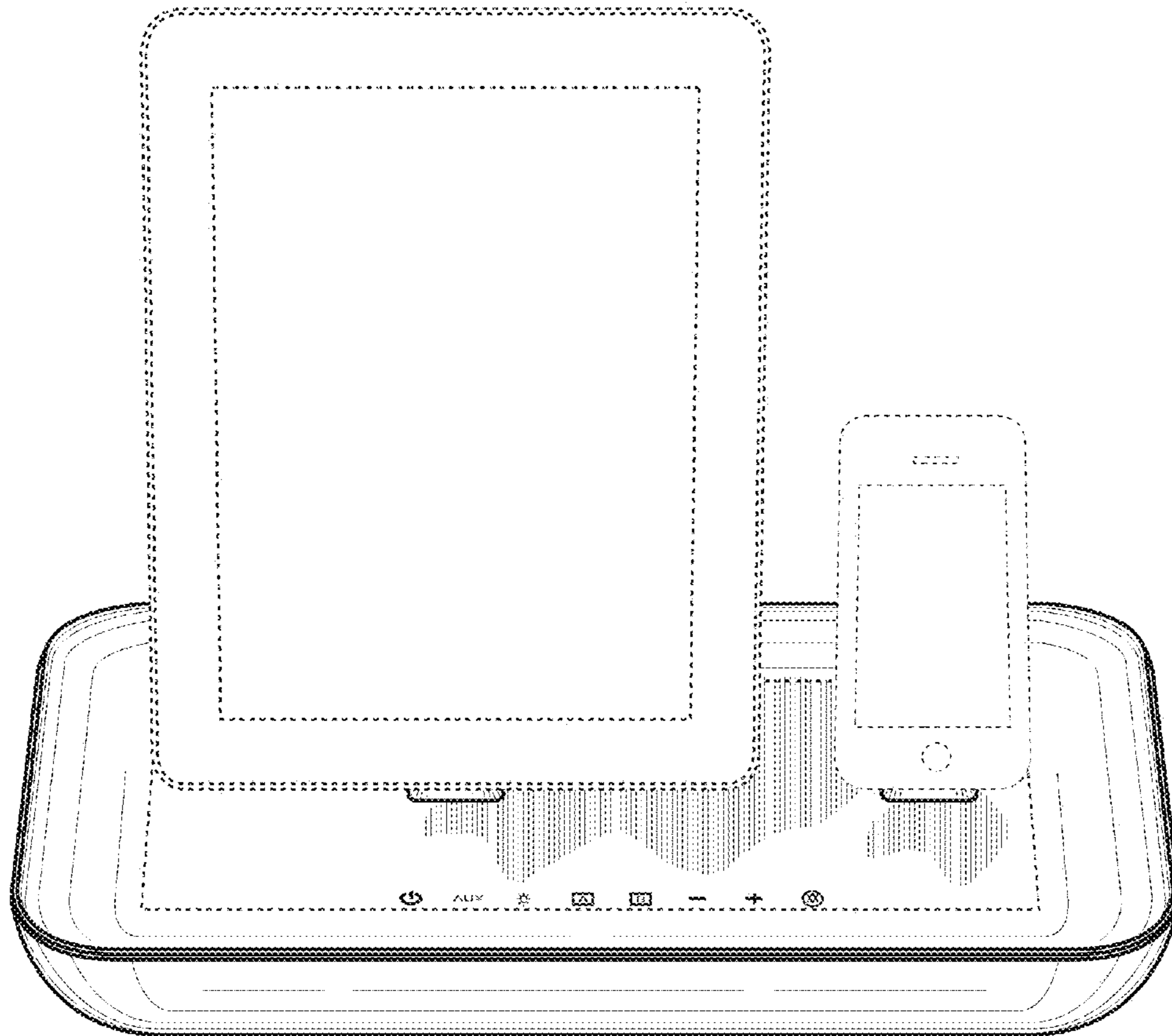


FIG. 1

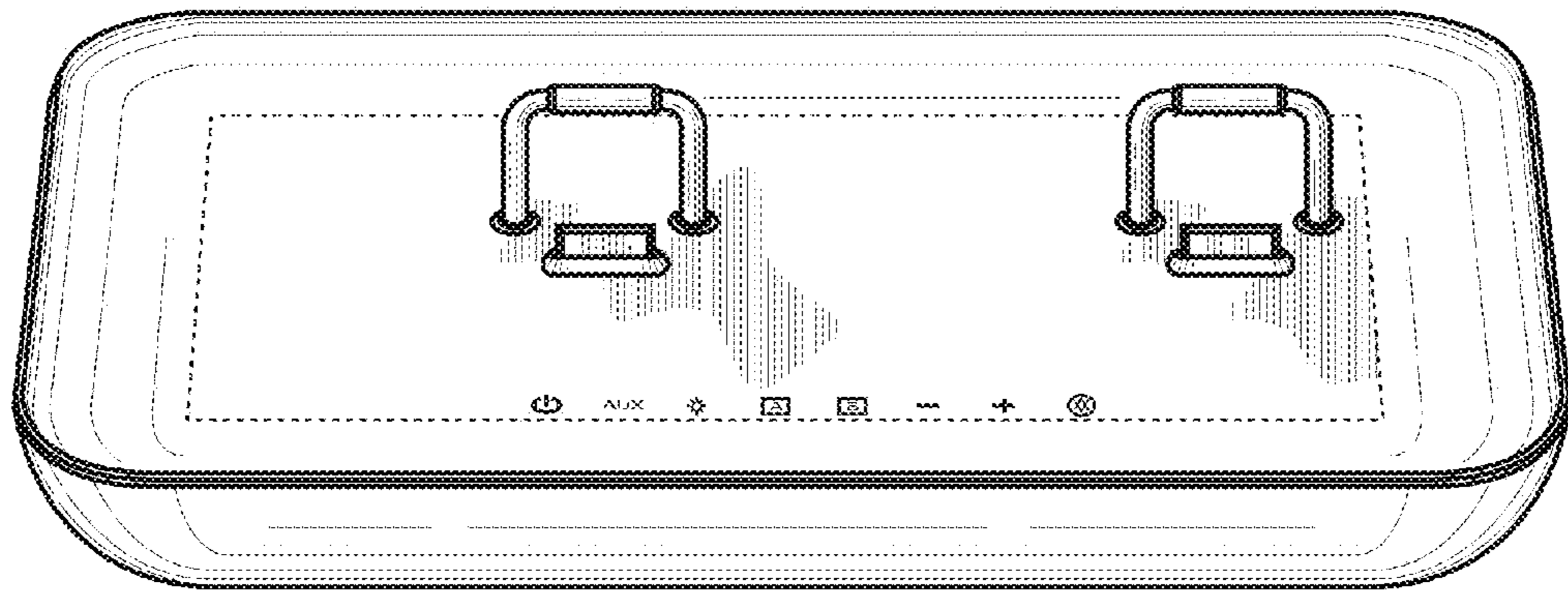


FIG. 2

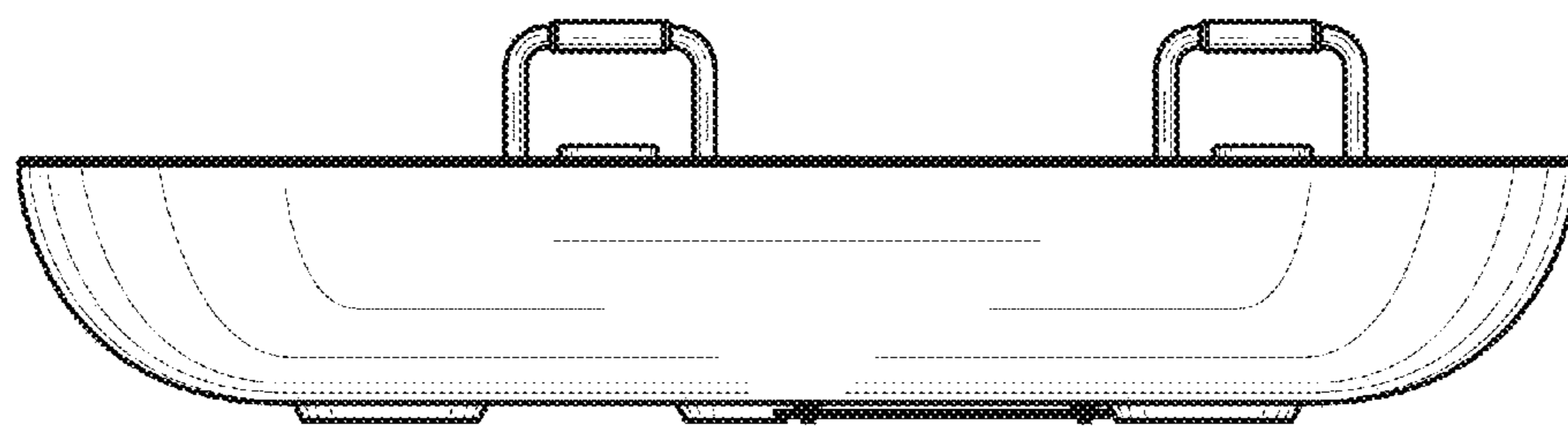


FIG. 3

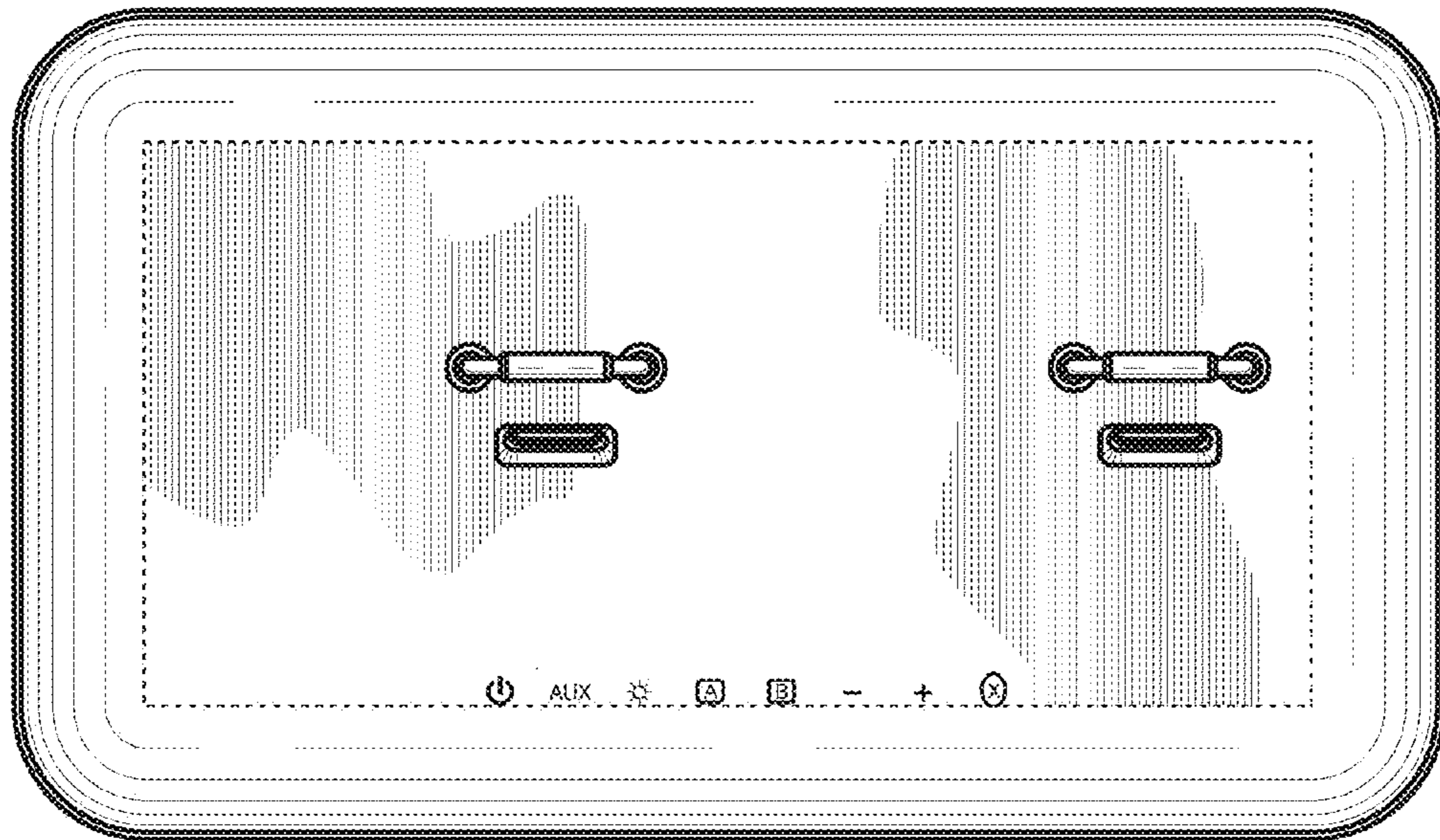


FIG. 4

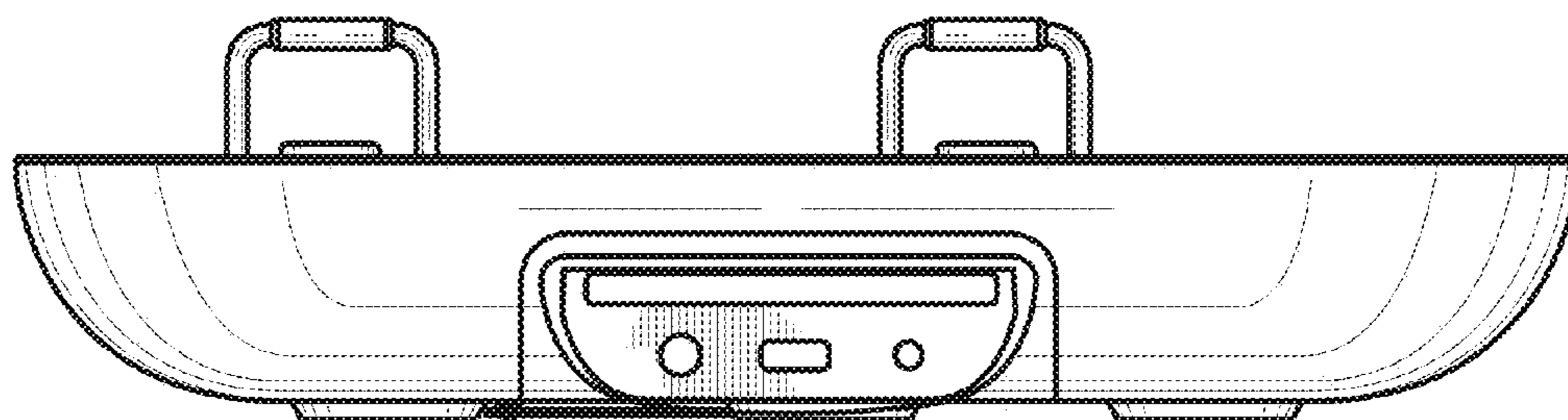


FIG. 5

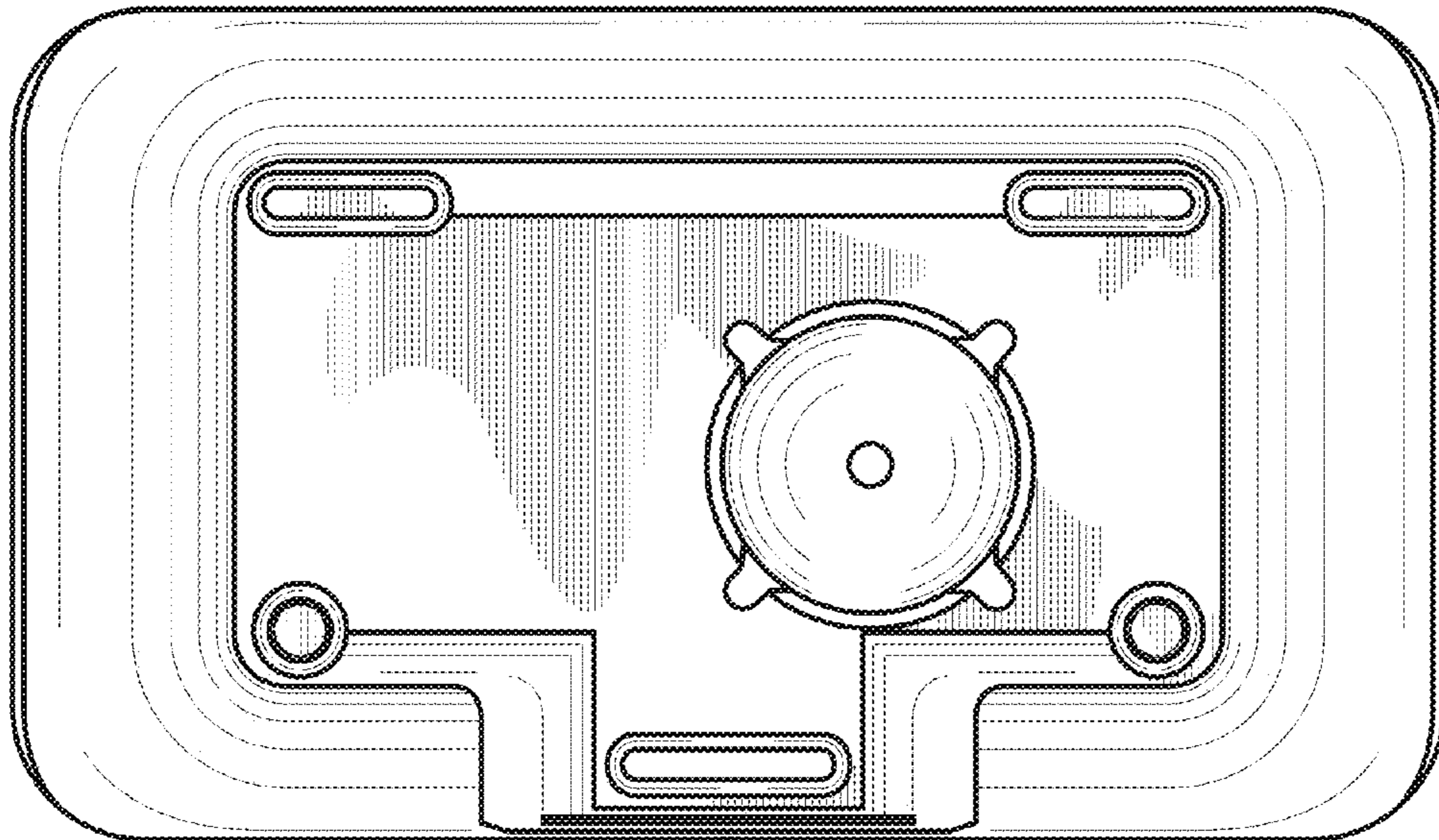


FIG. 6

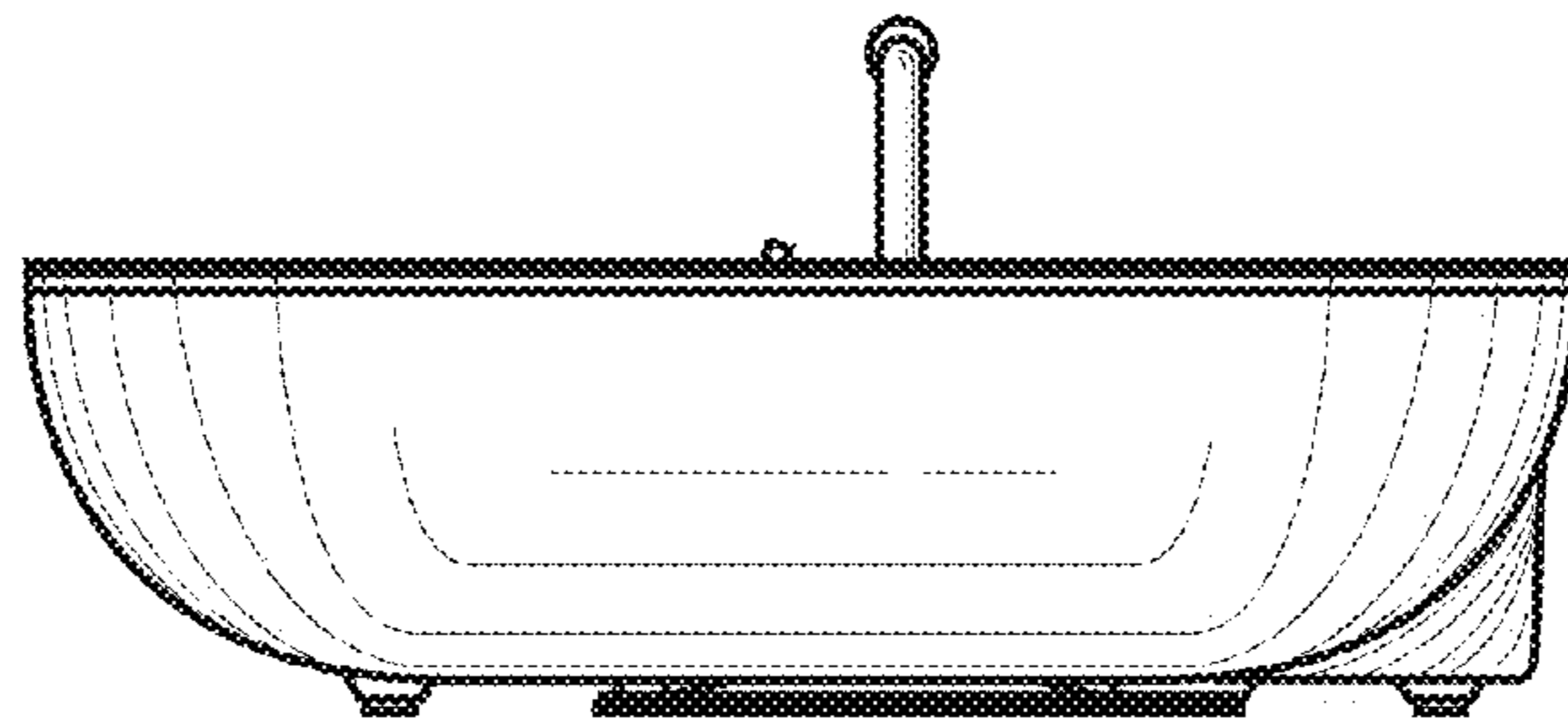


FIG. 7

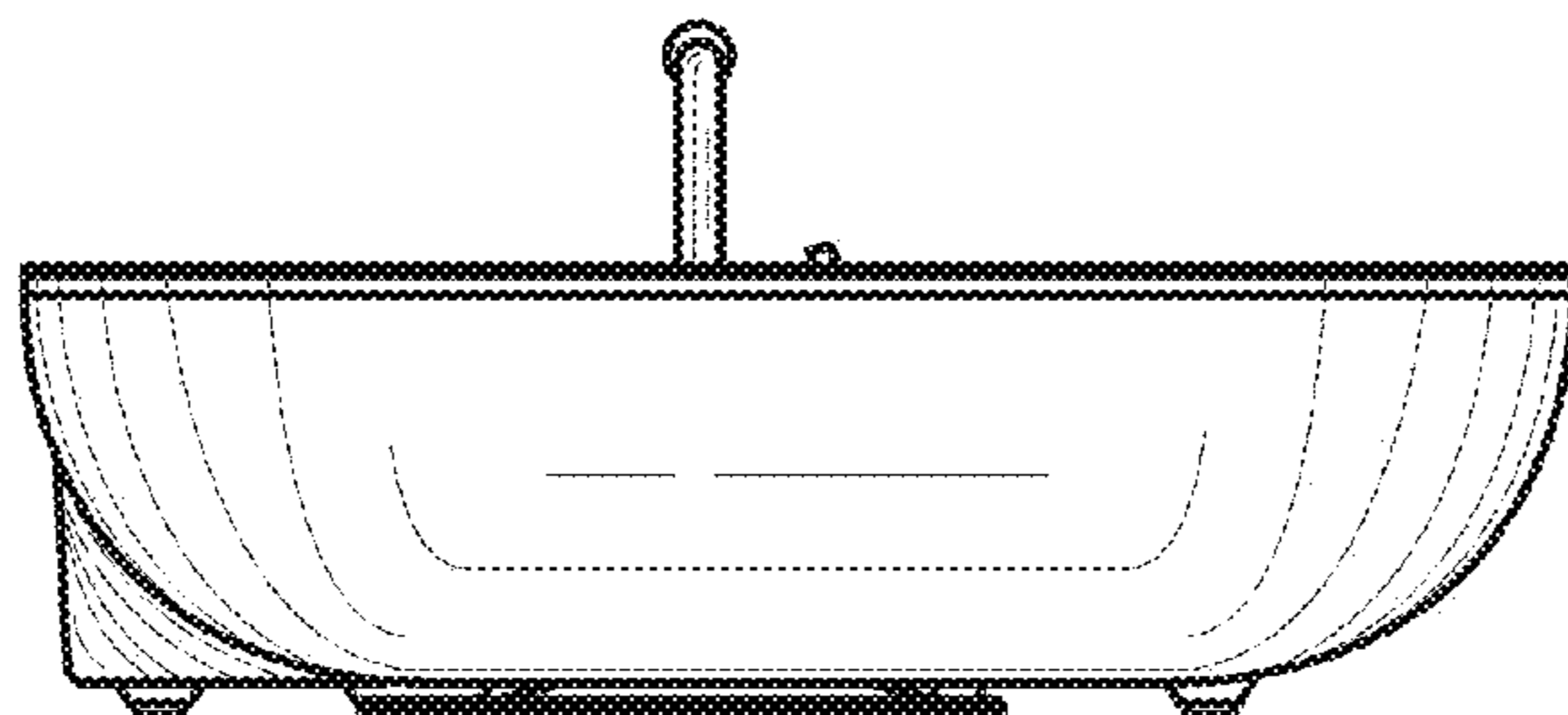


FIG. 8

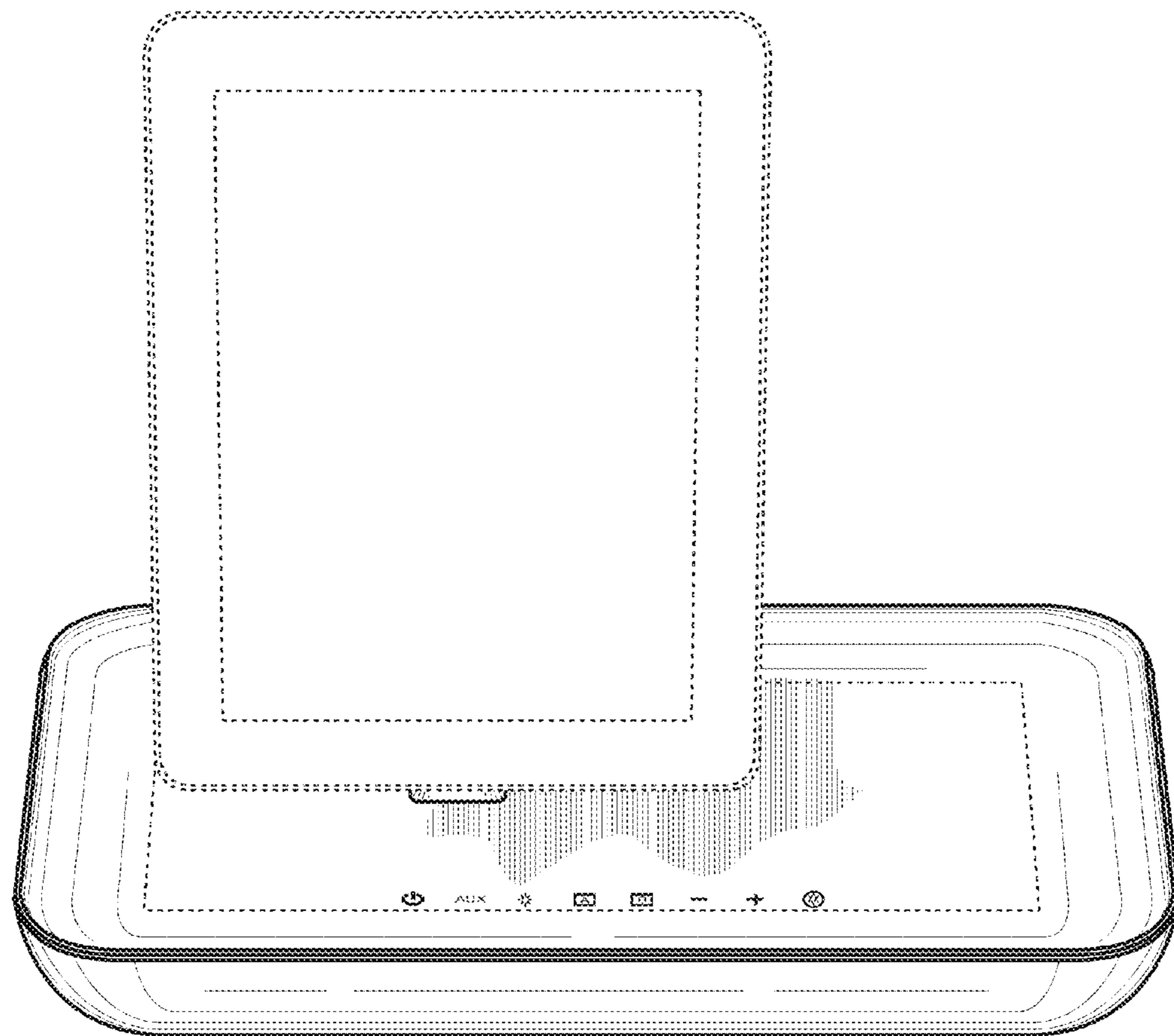


FIG. 9

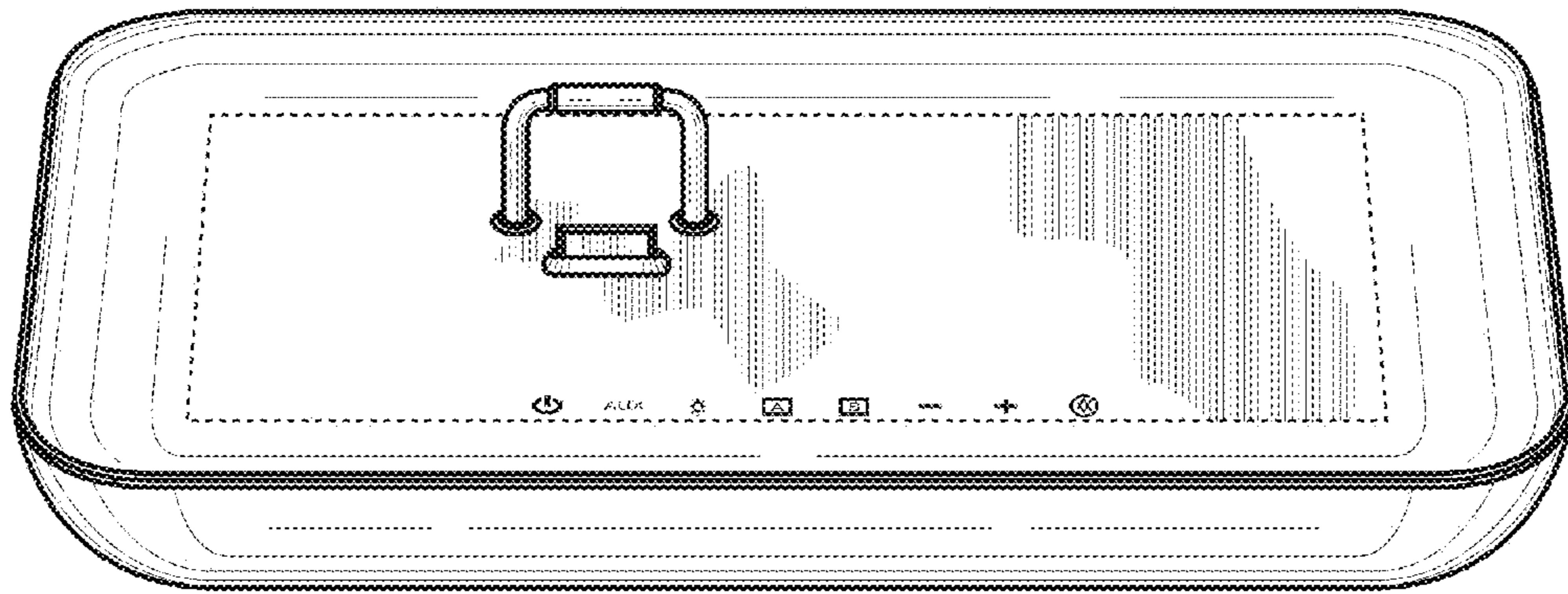


FIG. 10

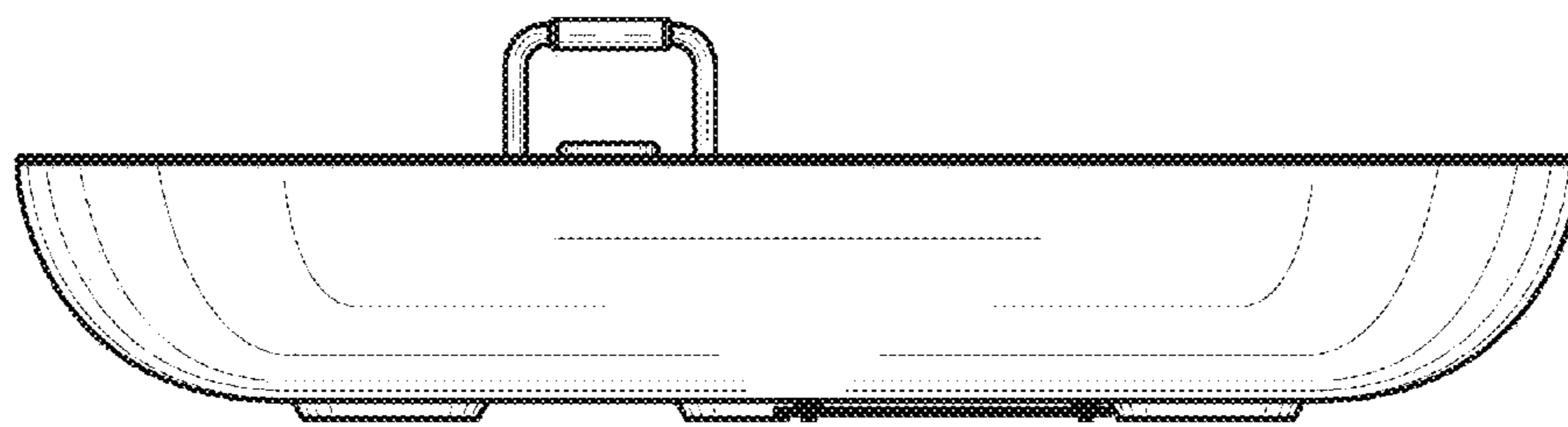


FIG. 11

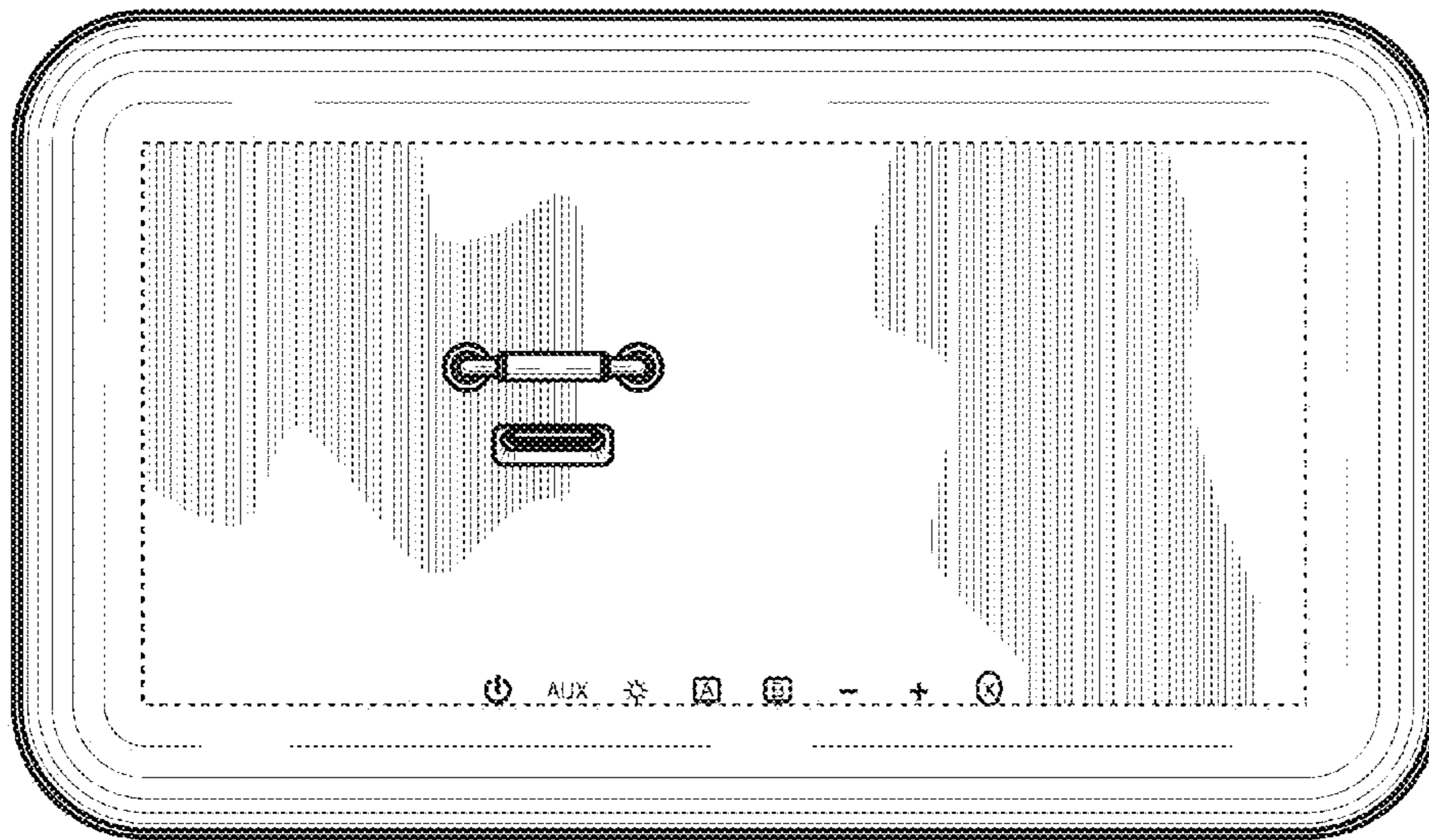


FIG. 12

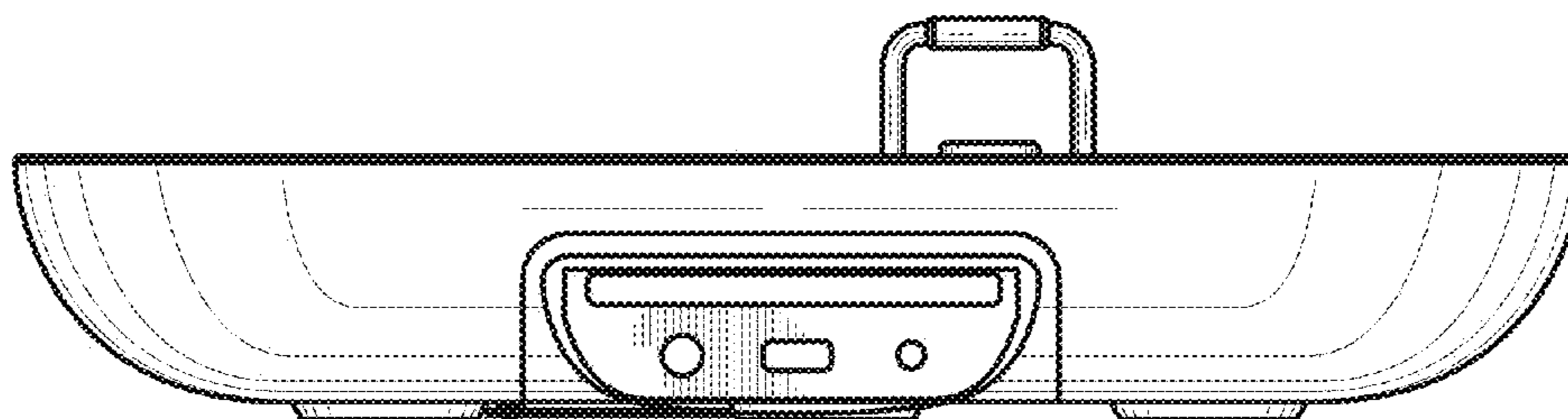


FIG. 13

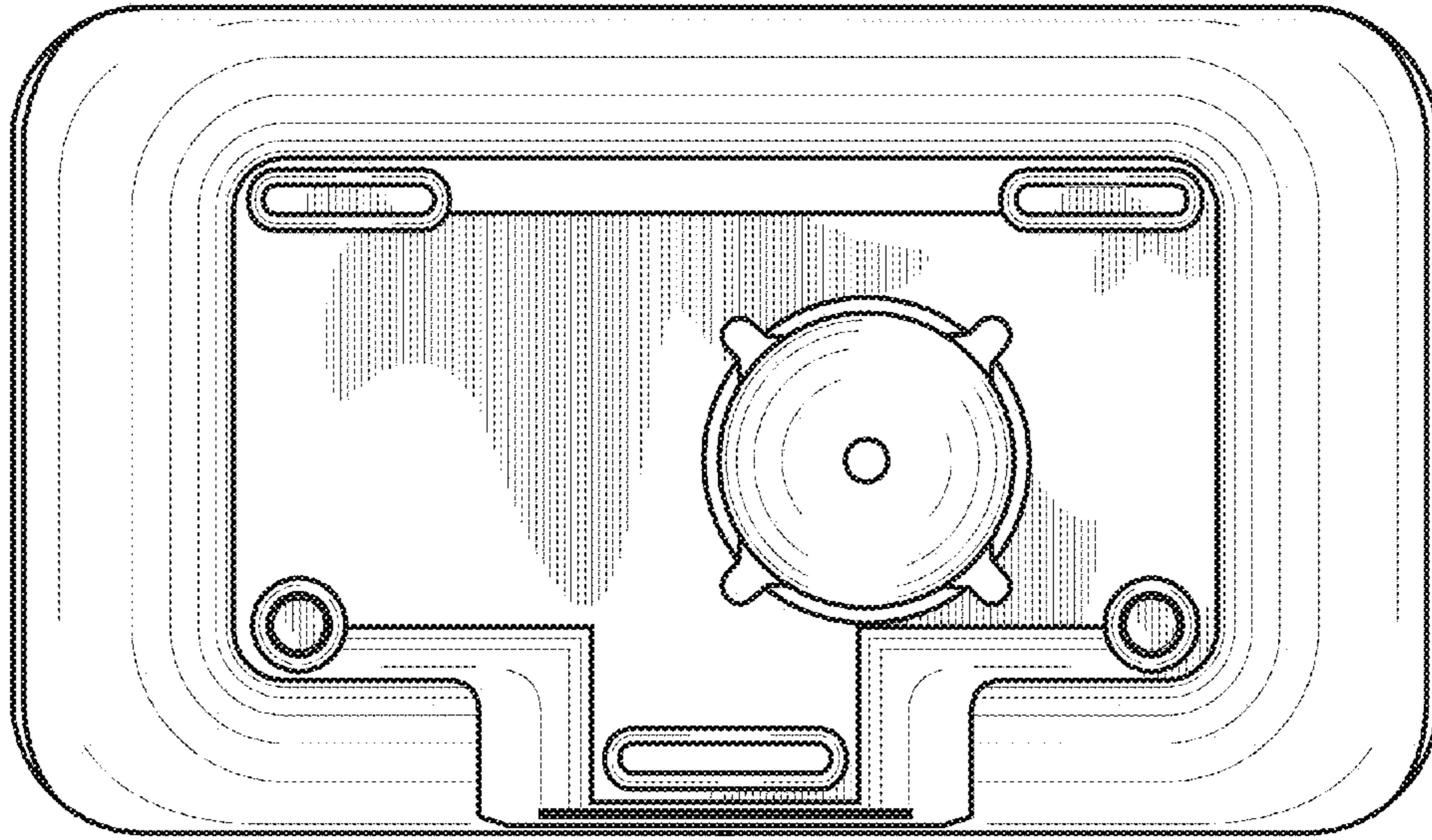


FIG. 14

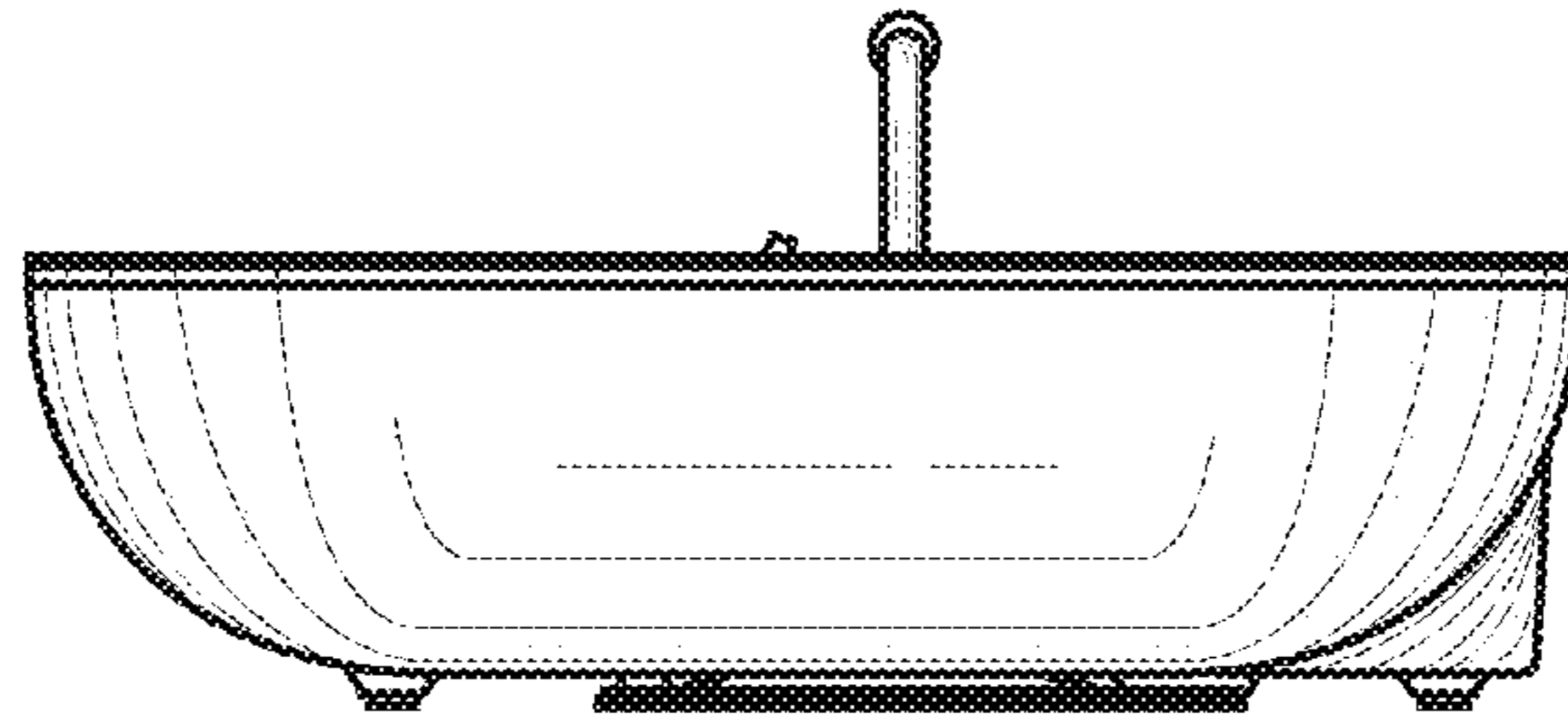


FIG. 15

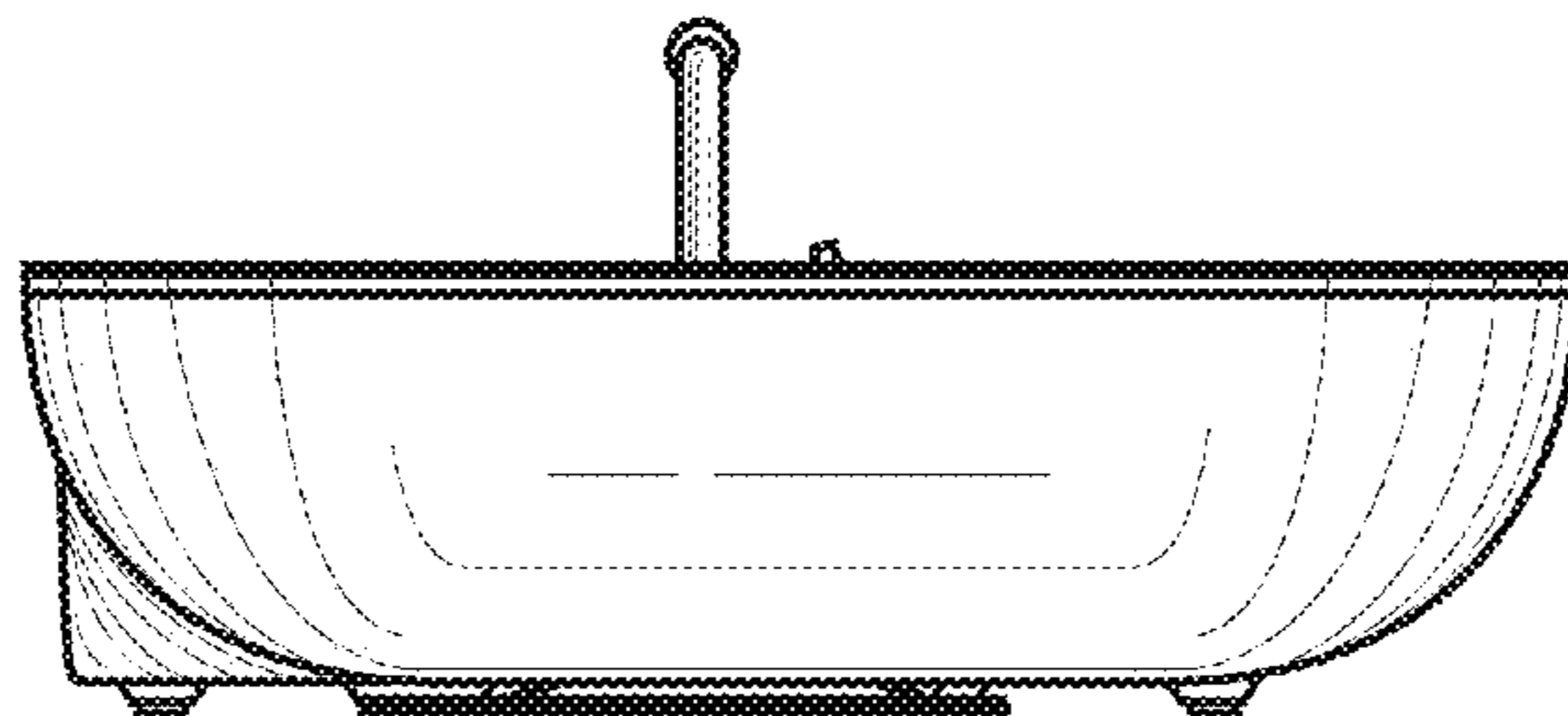


FIG. 16