



US00D709505S

(12) **United States Design Patent**
Kim

(10) **Patent No.:** **US D709,505 S**

(45) **Date of Patent:** **** Jul. 22, 2014**

(54) **DOCKING STATION**

(75) Inventor: **Ji-Gwang Kim**, Seoul (KR)

(73) Assignee: **Samsung Electronics Co., Ltd.**,
Suwon-si, Gyeonggi-do (KR)

(**) Term: **14 Years**

(21) Appl. No.: **29/430,092**

(22) Filed: **Aug. 21, 2012**

(30) **Foreign Application Priority Data**

Apr. 23, 2012 (KR) 30-2012-0019161

(51) **LOC (10) Cl.** **14-02**

(52) **U.S. Cl.**
USPC **D14/434**

(58) **Field of Classification Search**
CPC H02J 7/0042; F16M 11/10
USPC D14/217, 432, 434; D8/373; D13/107,
D13/108, 146; 248/176.1; 320/109,
320/112-115; 361/679.4, 679.31-679.33,
361/679.41, 679.43, 679.55; 455/557;
710/15, 303; 439/159

See application file for complete search history.

(56) **References Cited**

U.S. PATENT DOCUMENTS

6,042,414 A * 3/2000 Kunert 439/374
6,644,611 B1 * 11/2003 Tai 248/292.13

D517,557 S * 3/2006 Brassard D14/434
D575,786 S * 8/2008 Solomon et al. D14/434
D584,732 S * 1/2009 Cho et al. D14/434
2008/0106232 A1 * 5/2008 Idzik et al. 320/103

* cited by examiner

Primary Examiner — Freda S Nunn

(74) *Attorney, Agent, or Firm* — Flynn, Thiel, Boutell &
Tanis, P.C.

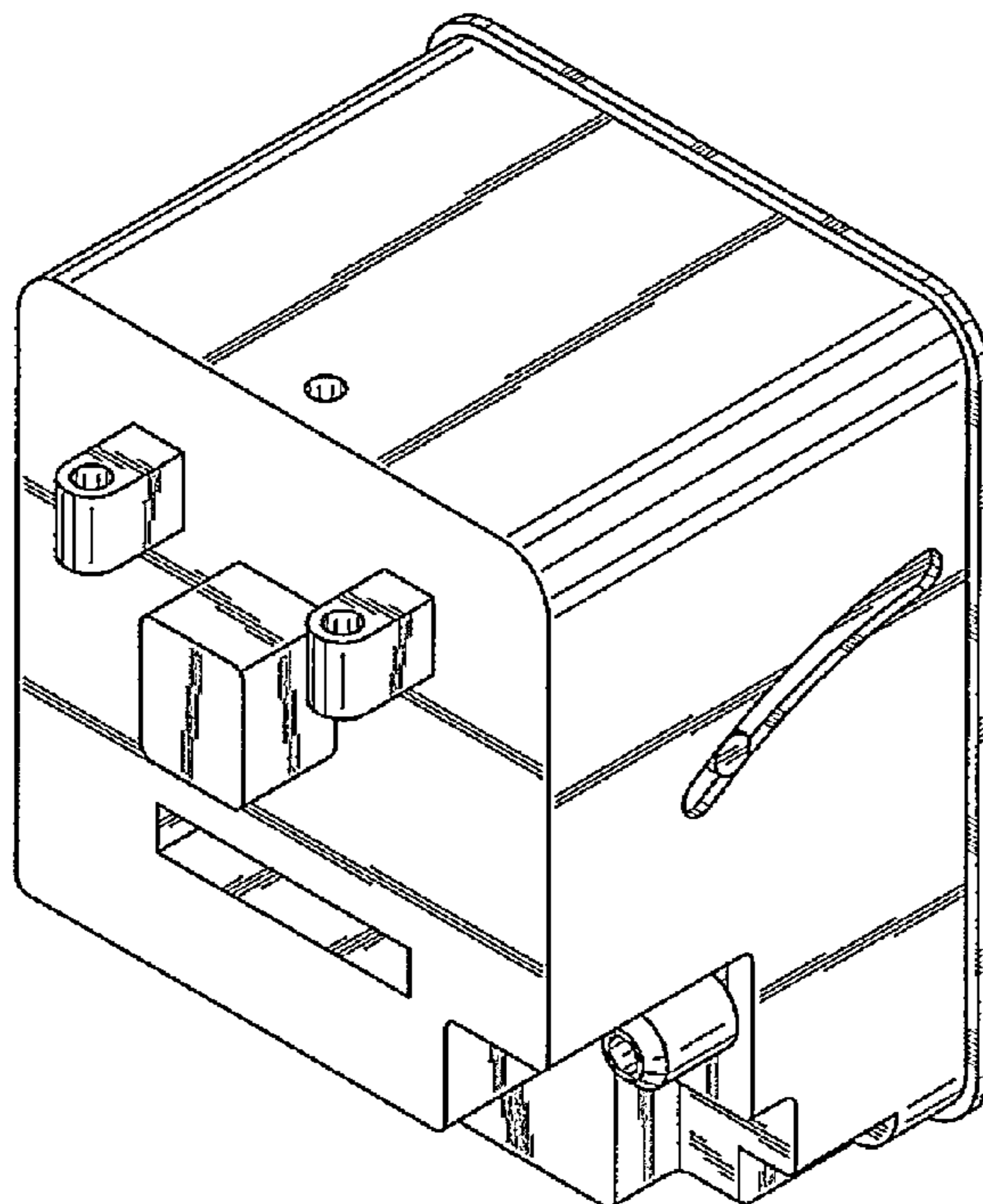
(57) **CLAIM**

The ornamental design for a docking station, as shown and described.

DESCRIPTION

FIG. 1 is a top front perspective view of a docking station showing my new design;
FIG. 2 is a front elevational view thereof;
FIG. 3 is a rear elevational view thereof;
FIG. 4 is a left side elevational view thereof;
FIG. 5 is a right side elevational view thereof;
FIG. 6 is a top plan view thereof;
FIG. 7 is a bottom plan view thereof;
FIG. 8 is a right side view thereof when connection terminals of the present docking station are exposed; and,
FIG. 9 is a right side view thereof when a portable terminal is connected to the present docking station.
Broken lines shown in the drawings illustrate portions of the docking station and audio device, and form no part of the claimed design.

1 Claim, 6 Drawing Sheets



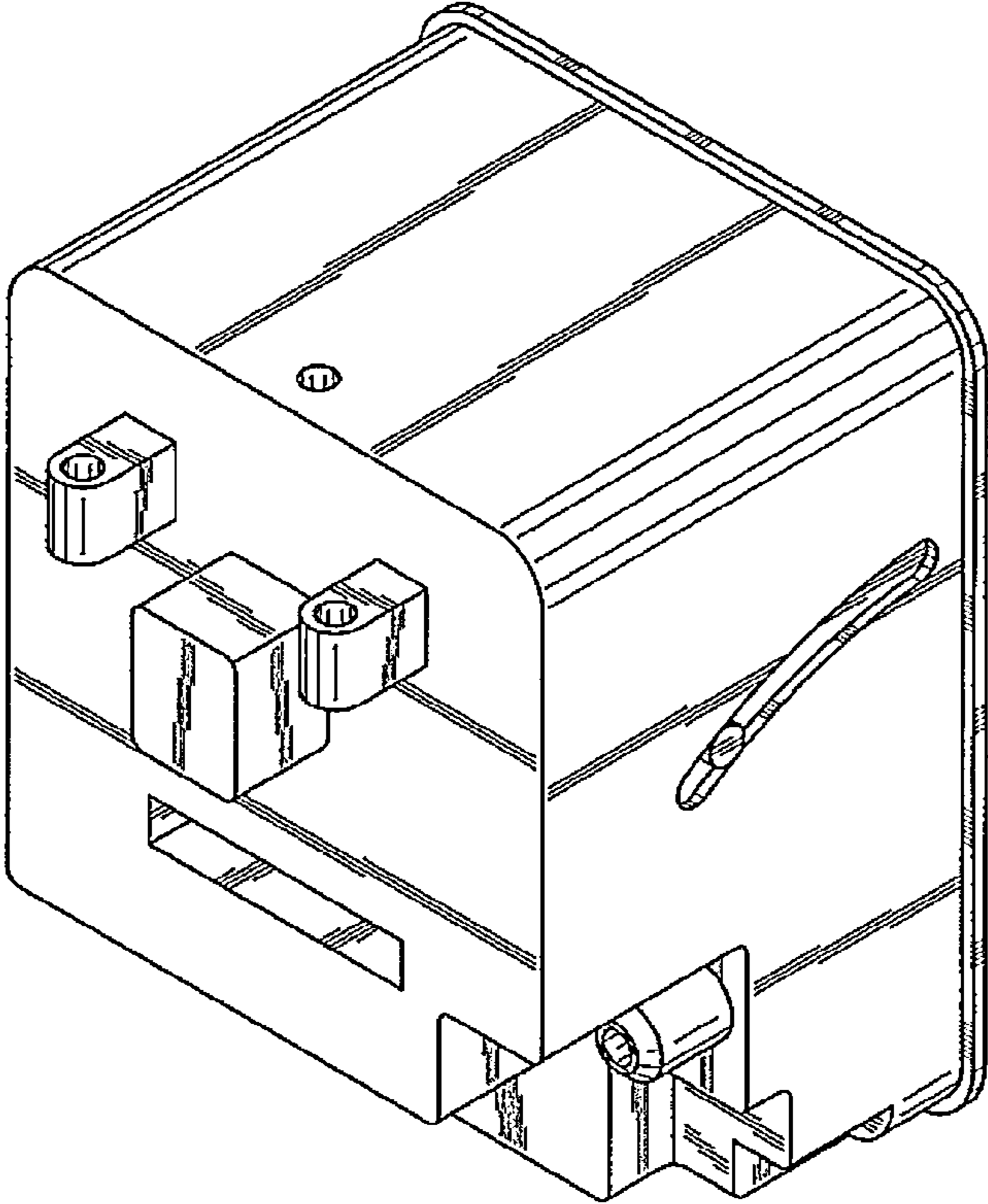


FIG. 1

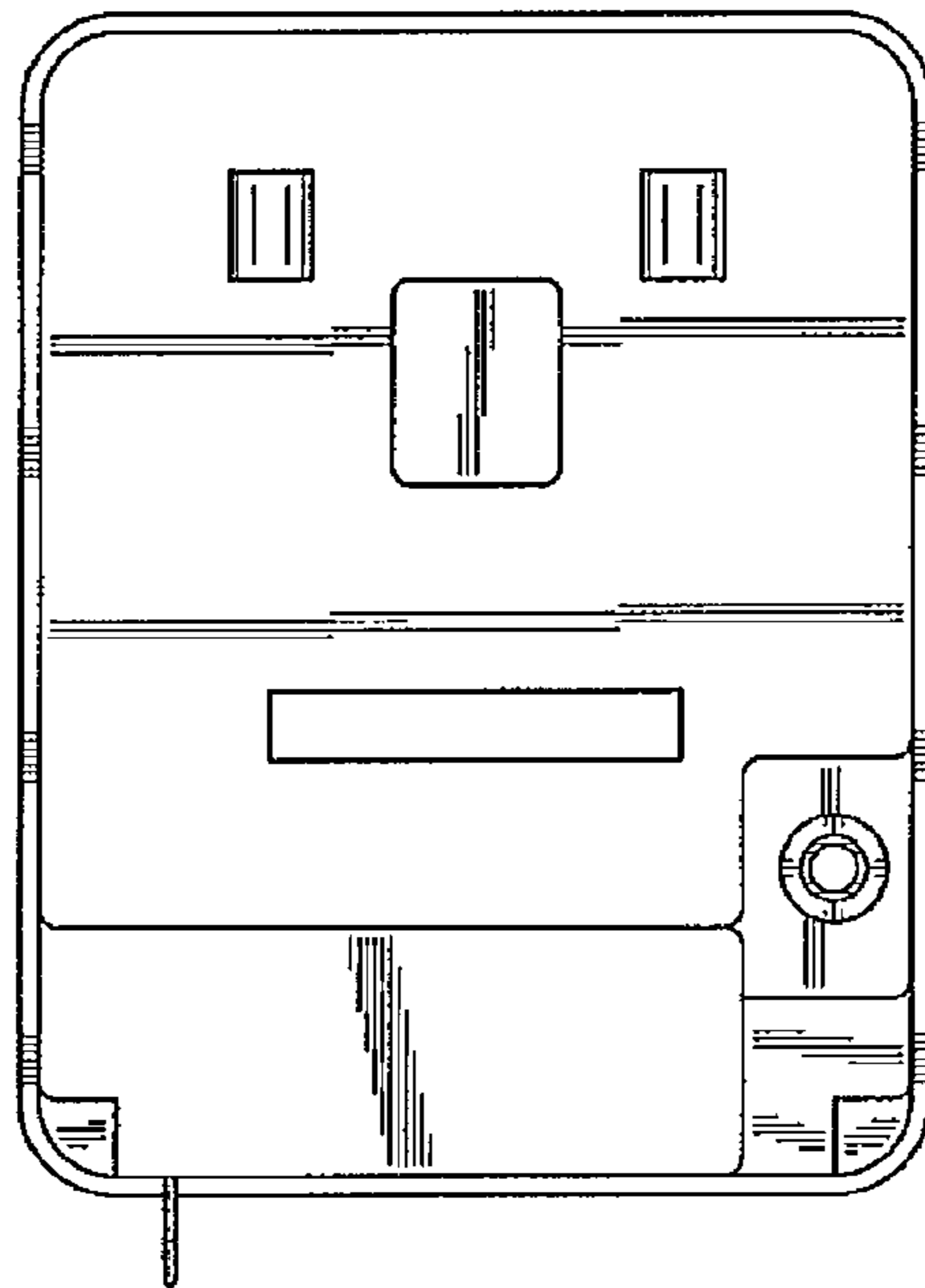


FIG. 2

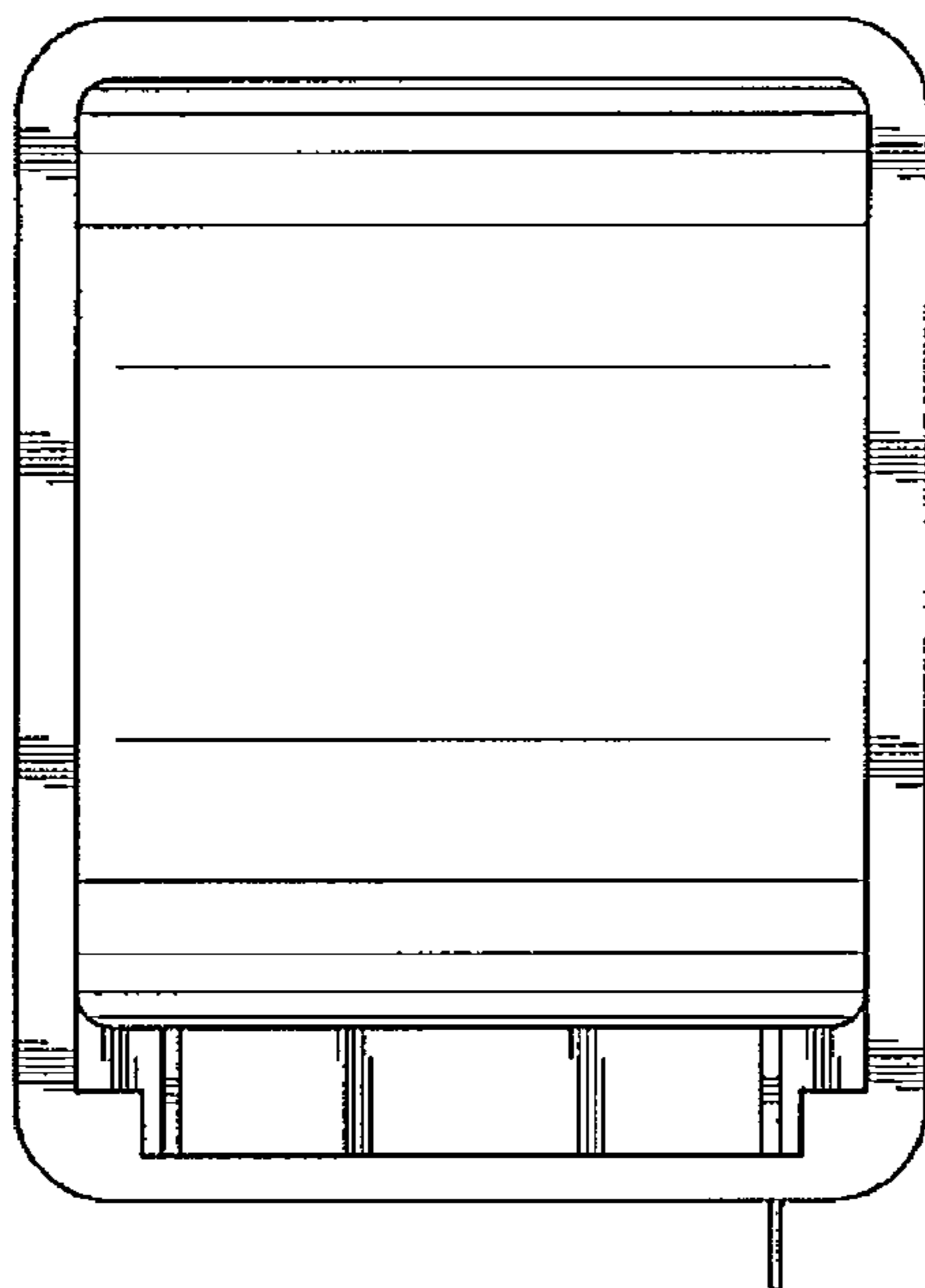


FIG. 3

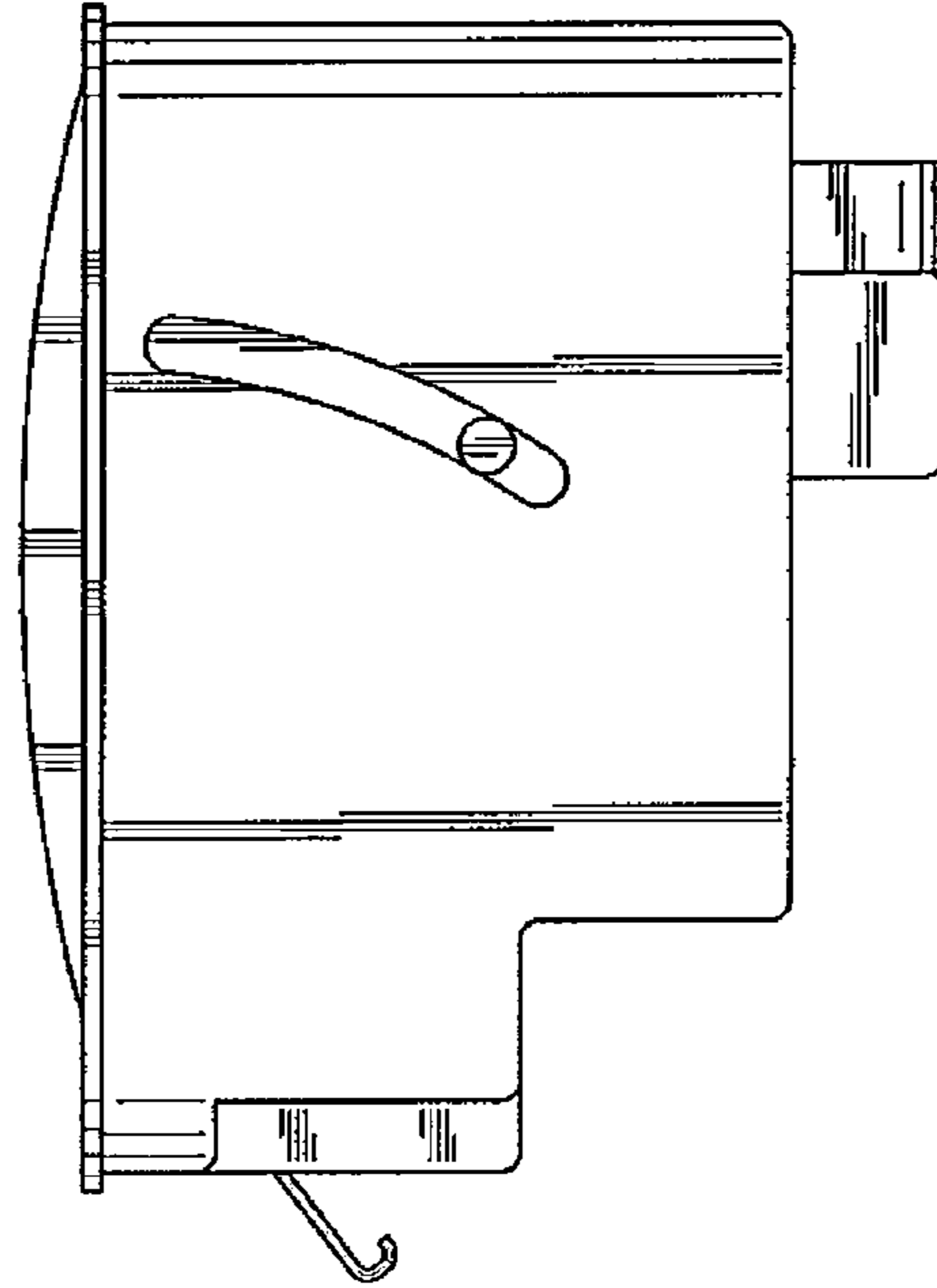


FIG. 4

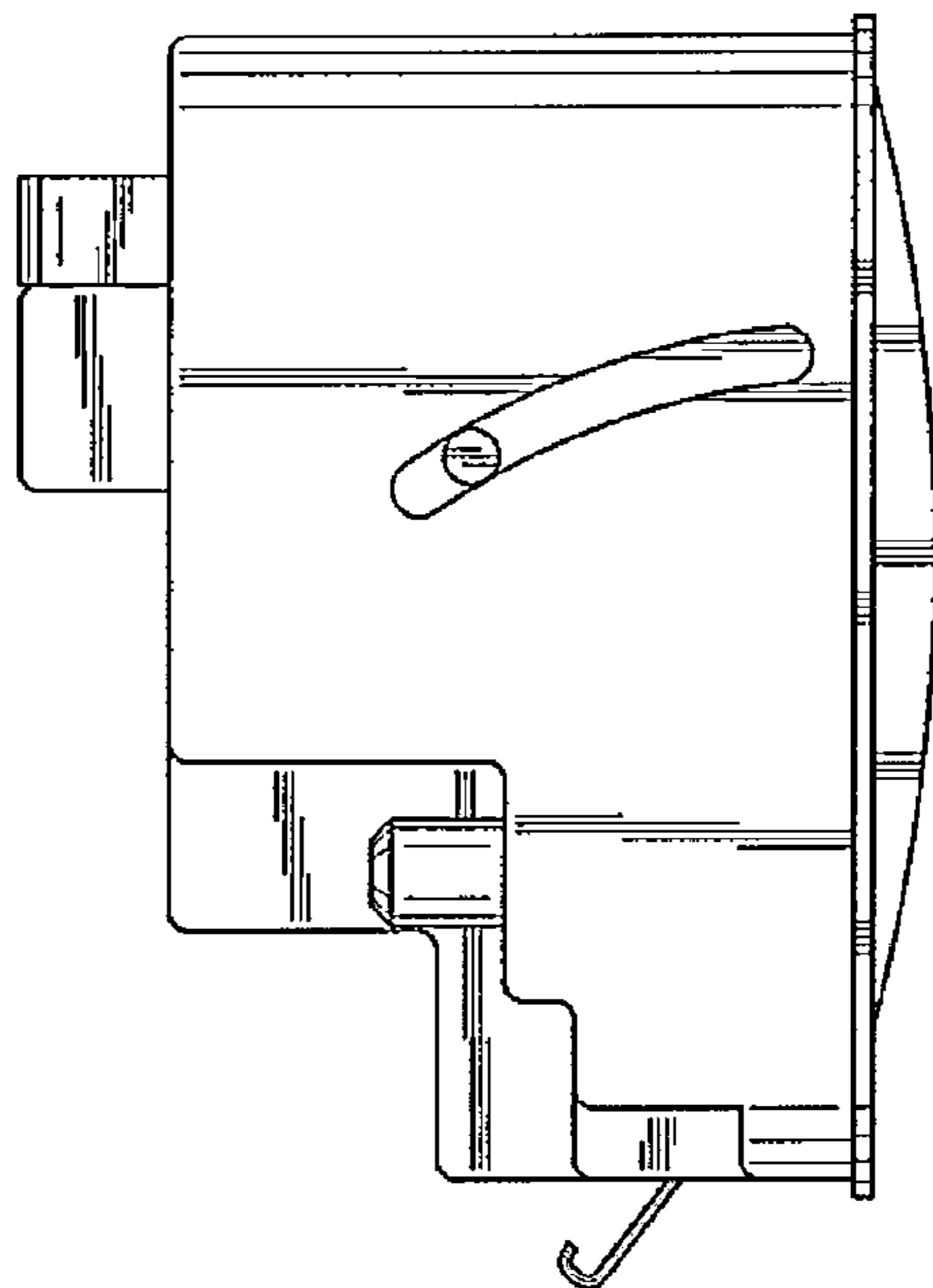


FIG. 5

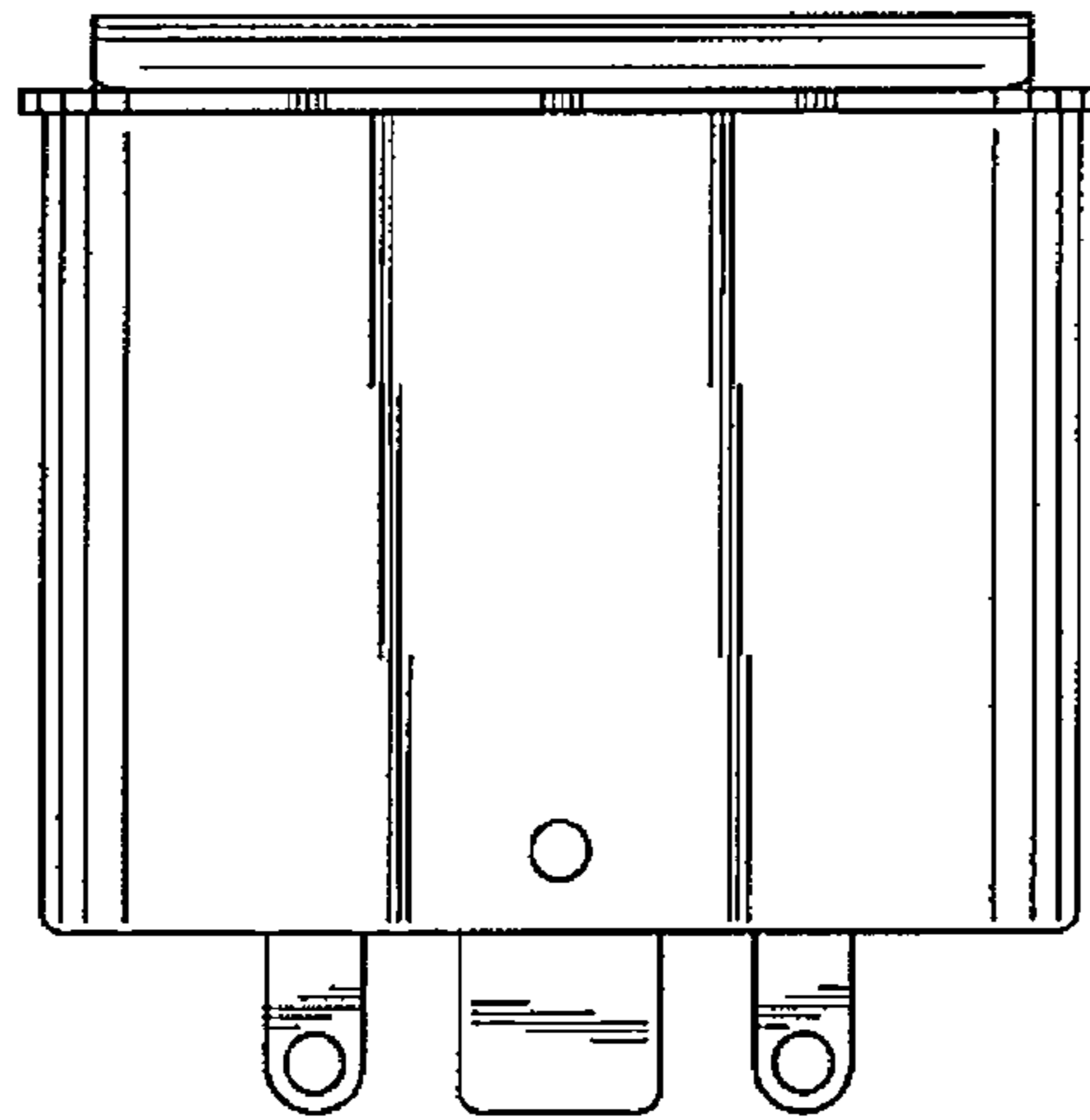


FIG. 6

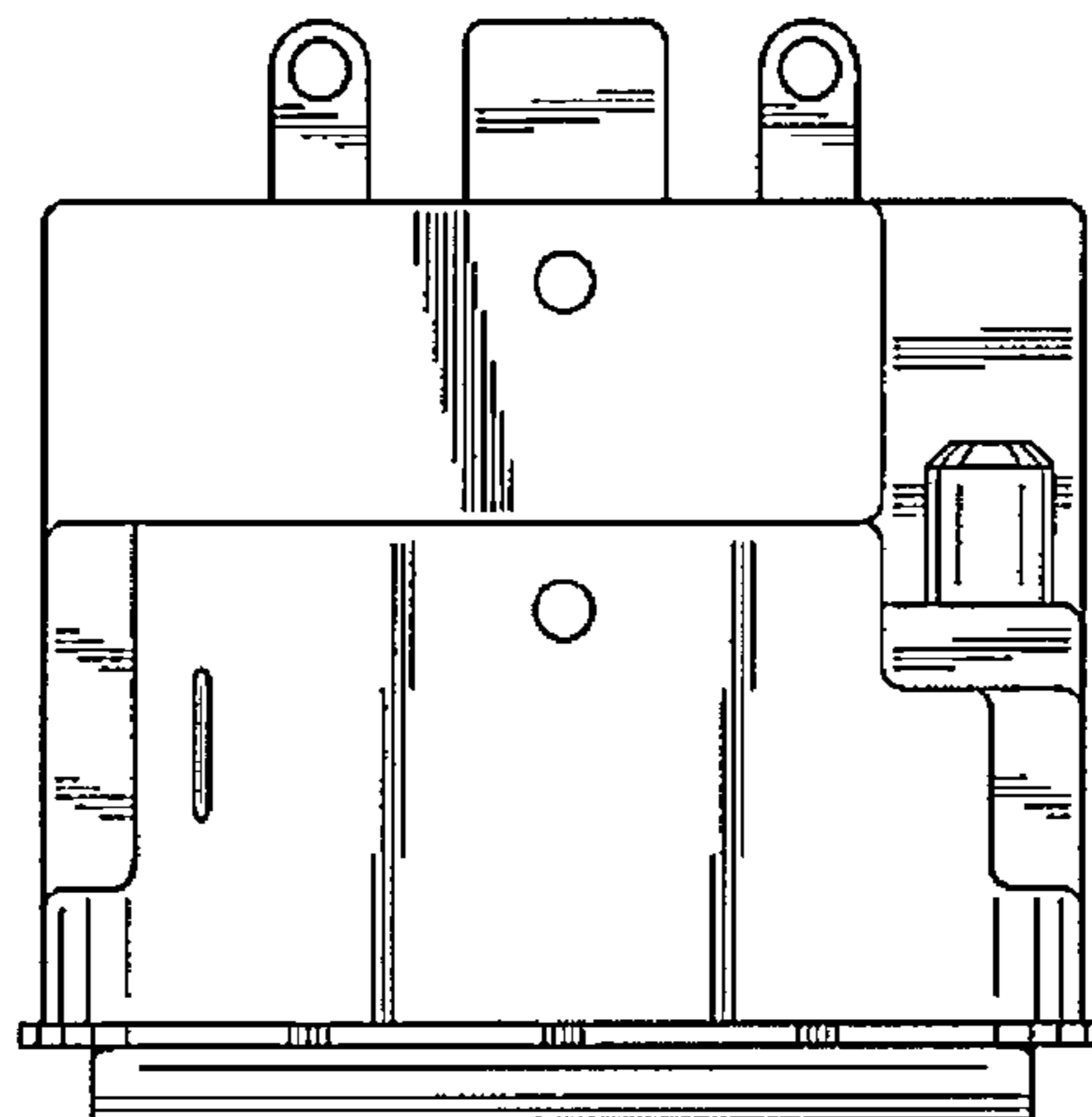


FIG. 7

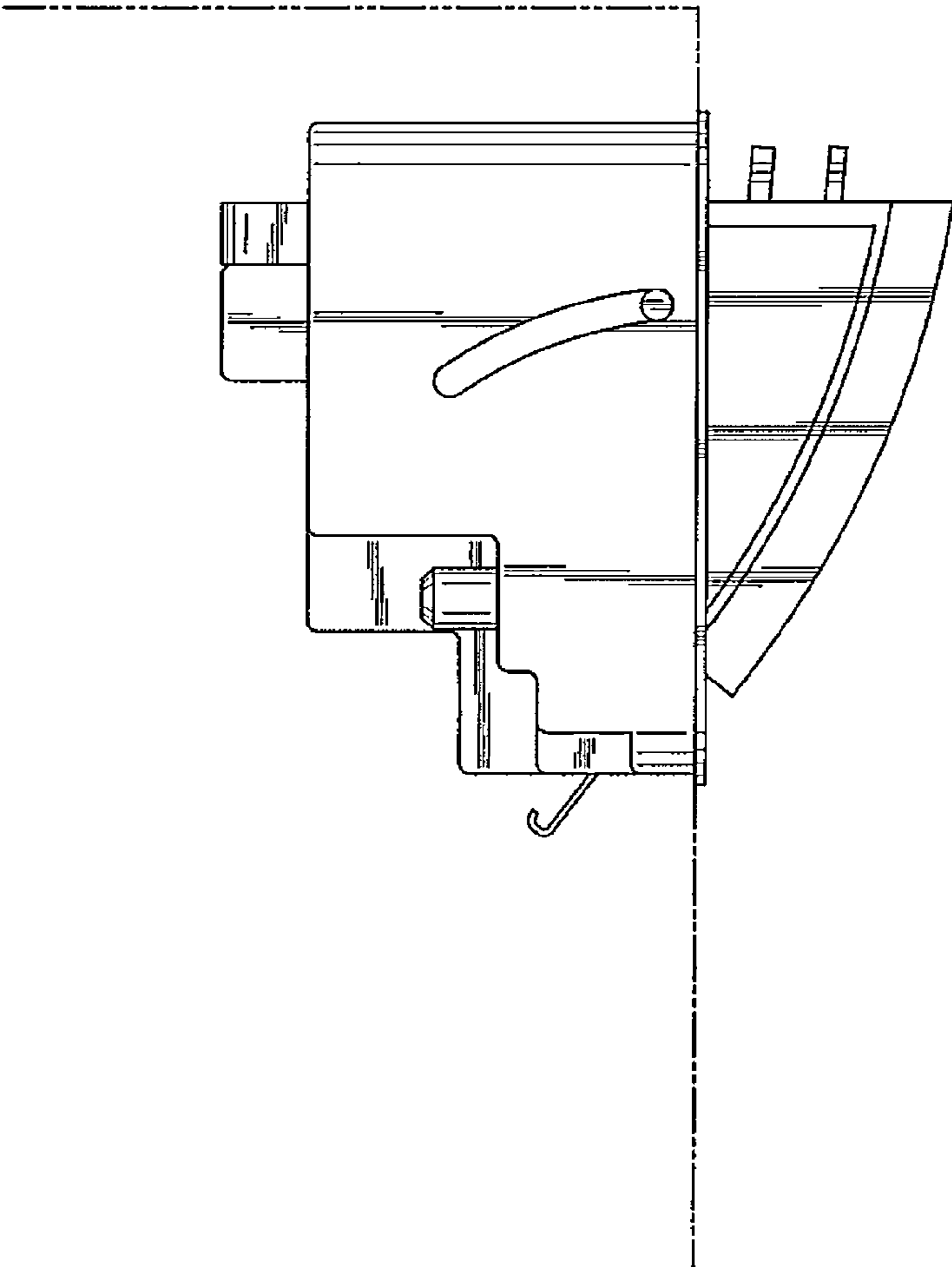


FIG. 8

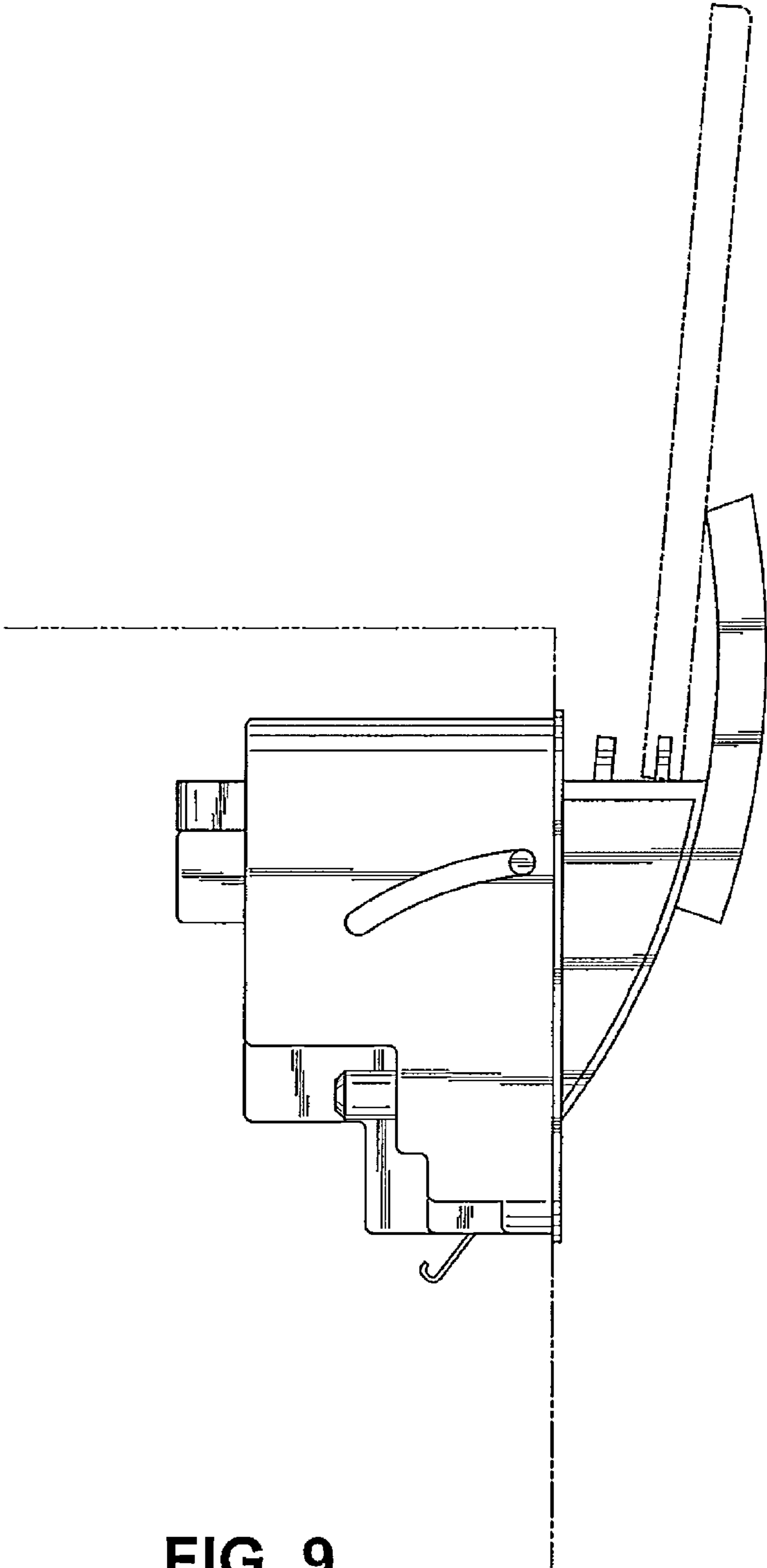


FIG. 9