



US00D709504S

(12) **United States Design Patent**
Breines

(10) **Patent No.:** **US D709,504 S**
(45) **Date of Patent:** **** Jul. 22, 2014**

(54) **AUDIO ADAPTER**

(71) Applicant: **Robert Breines**, Westlake Village, CA
(US)

(72) Inventor: **Robert Breines**, Westlake Village, CA
(US)

(73) Assignee: **AP Global Inc.**

(**) Term: **14 Years**

(21) Appl. No.: **29/473,137**

(22) Filed: **Nov. 19, 2013**

(51) **LOC (10) Cl.** **14-02**

(52) **U.S. Cl.**
USPC **D14/433**

(58) **Field of Classification Search**
USPC D14/432-435, 435.1, 436-439,
D14/356-358, 480.1-480.7, 483, 484.1,
D14/240; D13/107, 108, 110, 118, 123,
D13/133, 147, 154; 439/131, 500, 501, 445,
439/446, 296, 284, 286, 288; 361/679.4,
361/679.41, 679.44; D1/127
See application file for complete search history.

(56) **References Cited**

U.S. PATENT DOCUMENTS

D363,700 S * 10/1995 Buongervino et al. D13/147
D409,150 S * 5/1999 Davis et al. D13/153

D416,233 S * 11/1999 Tsai D13/153
D456,509 S * 4/2002 Schultz D24/133
D574,834 S * 8/2008 Chen D14/432
D585,835 S * 2/2009 Jaqua et al. D13/154
D587,205 S * 2/2009 Wu et al. D13/133
D599,800 S * 9/2009 Klein et al. D14/433
D600,652 S * 9/2009 Hong et al. D13/154
D605,650 S * 12/2009 Ribeiro D14/433
D613,249 S * 4/2010 Nagata et al. D13/147
D621,362 S * 8/2010 Huang et al. D13/147
D628,537 S * 12/2010 Nagata et al. D13/147
D676,389 S * 2/2013 Worth et al. D13/147
D680,539 S * 4/2013 Kim D14/433
D682,835 S * 5/2013 Daniel D14/433
2007/0123106 A1 * 5/2007 Zhang 439/610

* cited by examiner

Primary Examiner — Austin Murphy

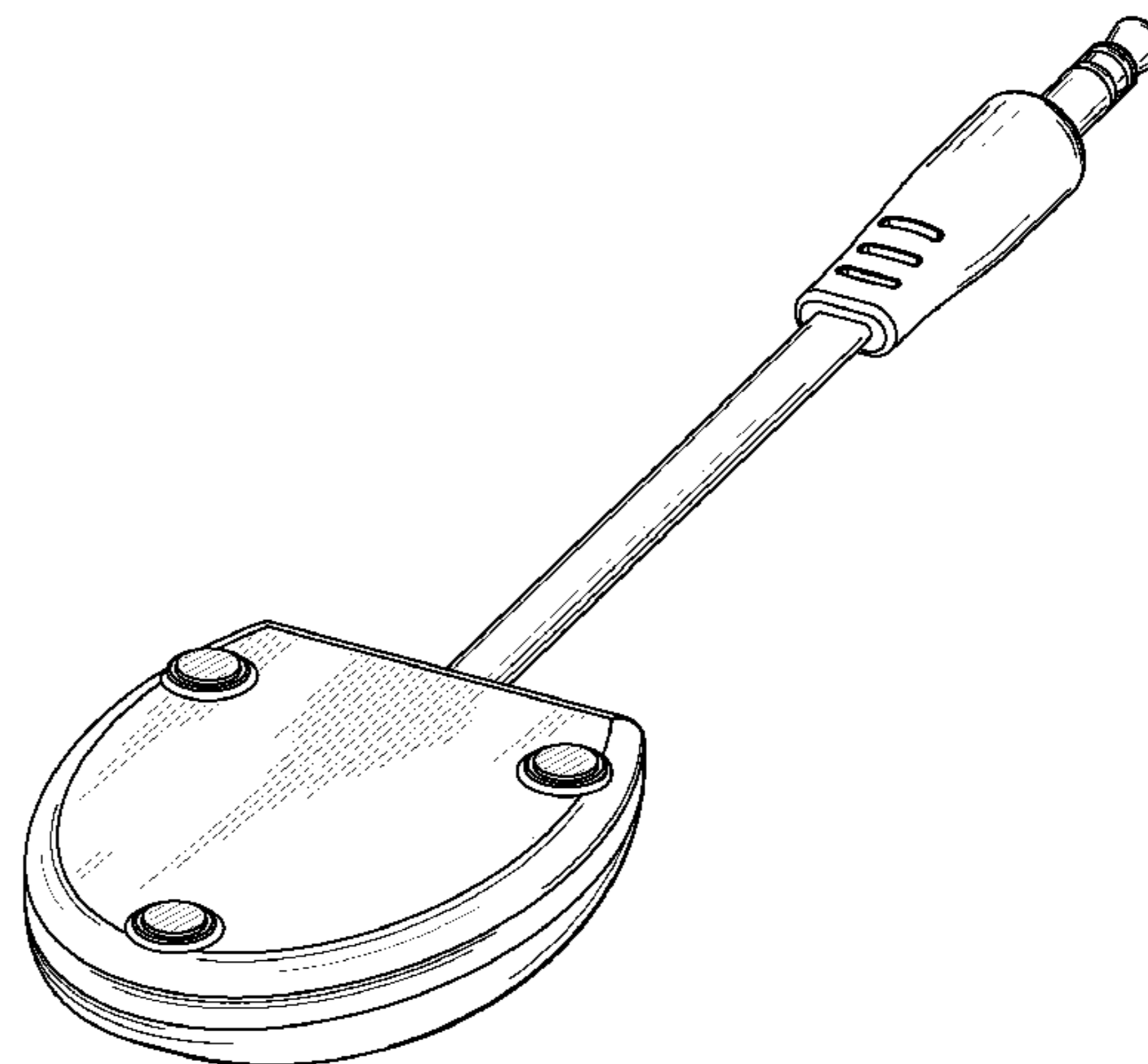
(57) **CLAIM**

I claim the ornamental design for an audio adapter, as shown and described.

DESCRIPTION

FIG. 1 is a top perspective view of a an audio adapter, showing the new design;
FIG. 2 is a bottom perspective view of FIG. 1;
FIG. 3 is a front elevational view of FIG. 1;
FIG. 4 is a rear elevational view of FIG. 1;
FIG. 5 is a left-side elevational view of FIG. 1, the right-side elevational view being a mirror image thereof;
FIG. 6 is a top plan view of FIG. 1; and,
FIG. 7 is a bottom plan view of FIG. 1.

1 Claim, 3 Drawing Sheets



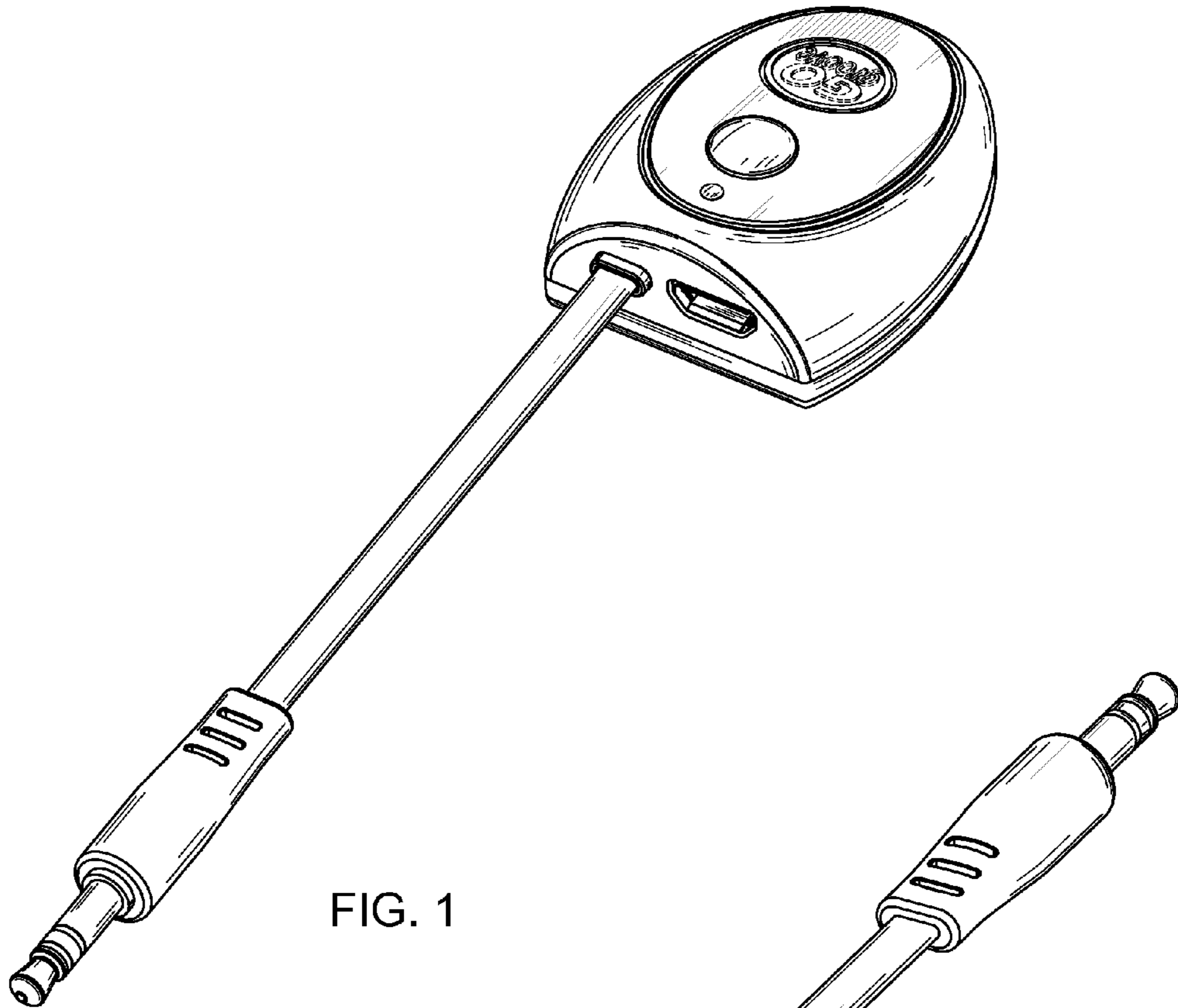


FIG. 1

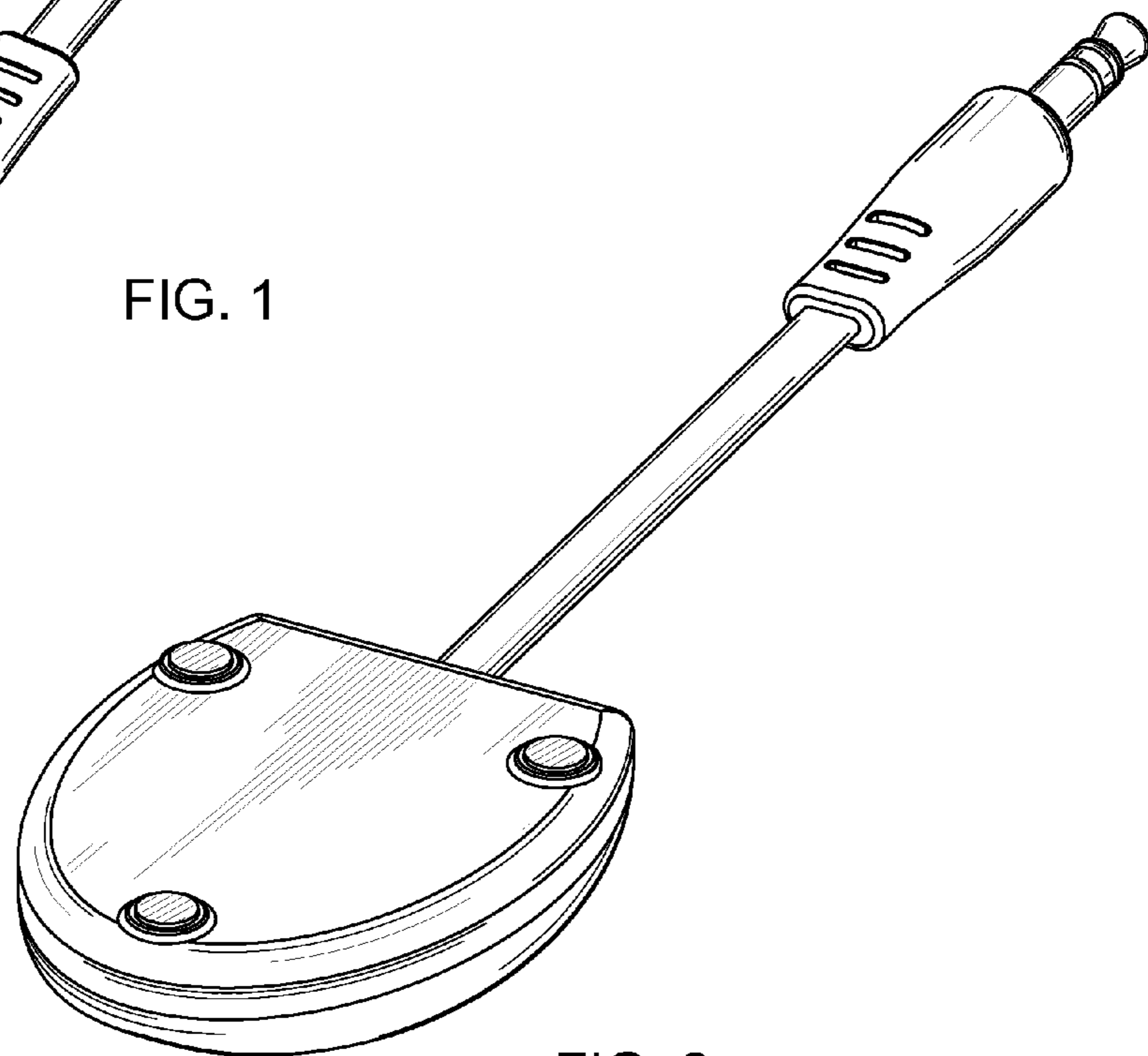


FIG. 2

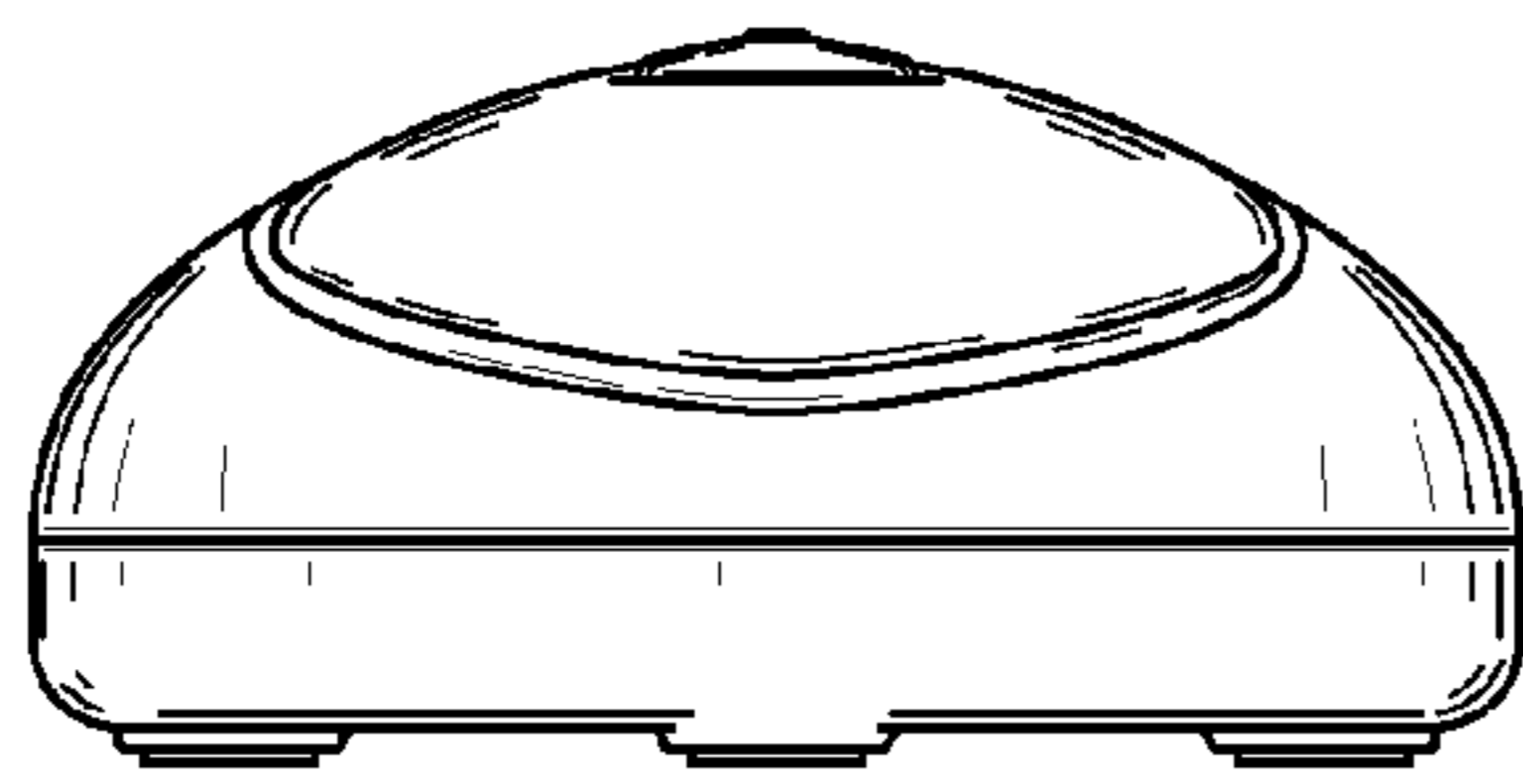


FIG. 3

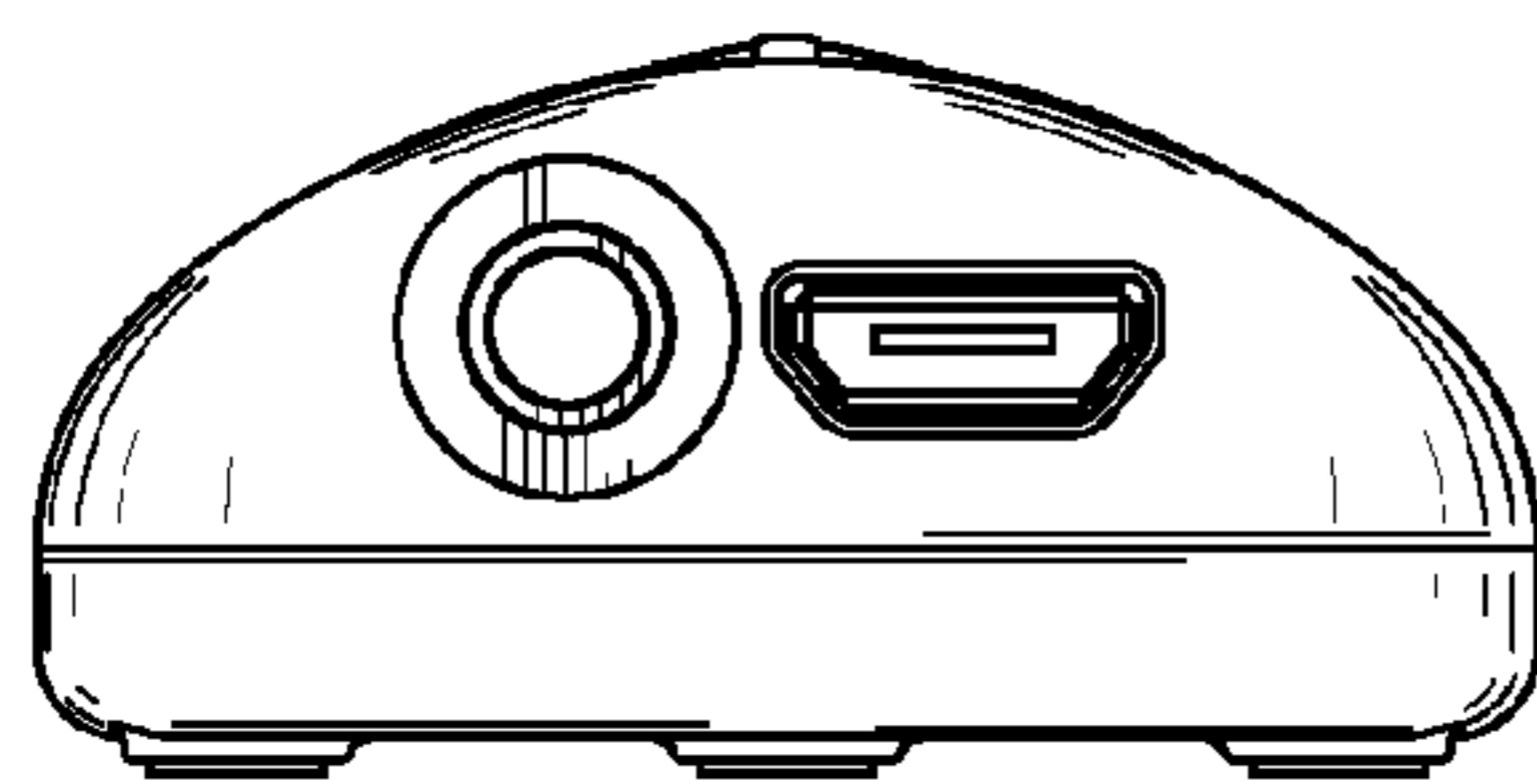


FIG. 4

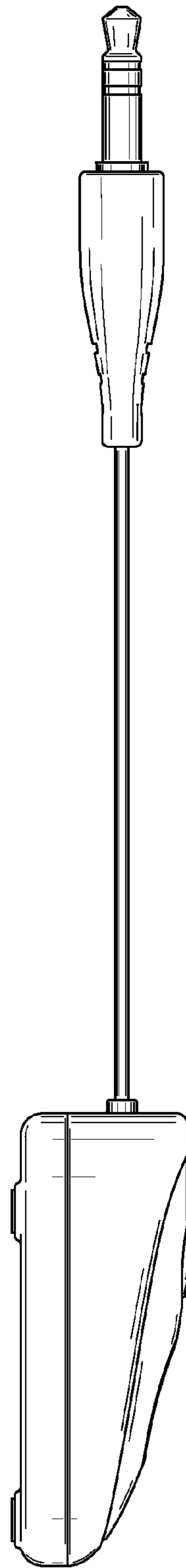


FIG. 5

