



US00D709501S

(12) **United States Design Patent**  
**Lee et al.**

(10) **Patent No.:** **US D709,501 S**  
(45) **Date of Patent:** **\*\* Jul. 22, 2014**

- (54) **DIGITAL CLIPBOARD READER**
- (71) Applicant: **Samsung Electronics Co., Ltd.**,  
Suwon-si (KR)
- (72) Inventors: **Eui-Ju Lee**, Seoul (KR); **Sung-Jin Park**, Seoul (KR)
- (73) Assignee: **Samsung Electronics Co., Ltd.**,  
Suwon-si (KR)
- (\*\*) Term: **14 Years**
- (21) Appl. No.: **29/448,969**
- (22) Filed: **Mar. 14, 2013**
- (30) **Foreign Application Priority Data**  
Oct. 23, 2012 (KR) ..... 30-2012-0050280
- (51) **LOC (10) Cl.** ..... **14-02**
- (52) **U.S. Cl.**  
USPC ..... **D14/422**
- (58) **Field of Classification Search**  
USPC ..... D14/420–425, 462–470, 389, 125, 399;  
D18/50, 54, 55, 53, 36–39, 14, 18–21,  
D18/49, 52, 51, 54.4; 358/400, 401, 448,  
358/474, 486–488, 496; 382/312, 317, 321,  
382/315; 400/613, 613.1–613.4,  
400/690.1–690.4, 691–694, 88, 175;  
399/107, 379, 380, 211, 212;  
235/462.11, 462.41, 472.01, 470,  
235/462.43; 361/680, 681  
See application file for complete search history.
- (56) **References Cited**  
**U.S. PATENT DOCUMENTS**  
3,597,587 A \* 8/1971 Baum ..... 219/243  
D228,545 S \* 10/1973 Beddick ..... D8/99  
D233,066 S \* 10/1974 Bair ..... D15/146

- D249,325 S \* 9/1978 Rollband ..... D8/99
- D295,416 S \* 4/1988 Glaberson ..... D14/422
- D301,238 S \* 5/1989 Makihara ..... D15/146
- D339,362 S \* 9/1993 Hoover ..... D15/146
- D342,532 S \* 12/1993 Deni ..... D15/146
- D345,353 S \* 3/1994 Dietrich ..... D14/462
- D361,084 S \* 8/1995 Yamanaka et al. .... D18/50
- D366,883 S \* 2/1996 Reinders ..... D15/146
- D370,008 S \* 5/1996 Cheng ..... D14/422
- D372,037 S \* 7/1996 Lane et al. .... D15/146
- D407,712 S \* 4/1999 Hasegawa ..... D14/422
- D415,128 S \* 10/1999 Kitera ..... D14/422
- D416,921 S \* 11/1999 Cheng ..... D15/146
- D426,240 S \* 6/2000 Senda ..... D14/420
- D435,849 S \* 1/2001 Tasi ..... D14/422

(Continued)

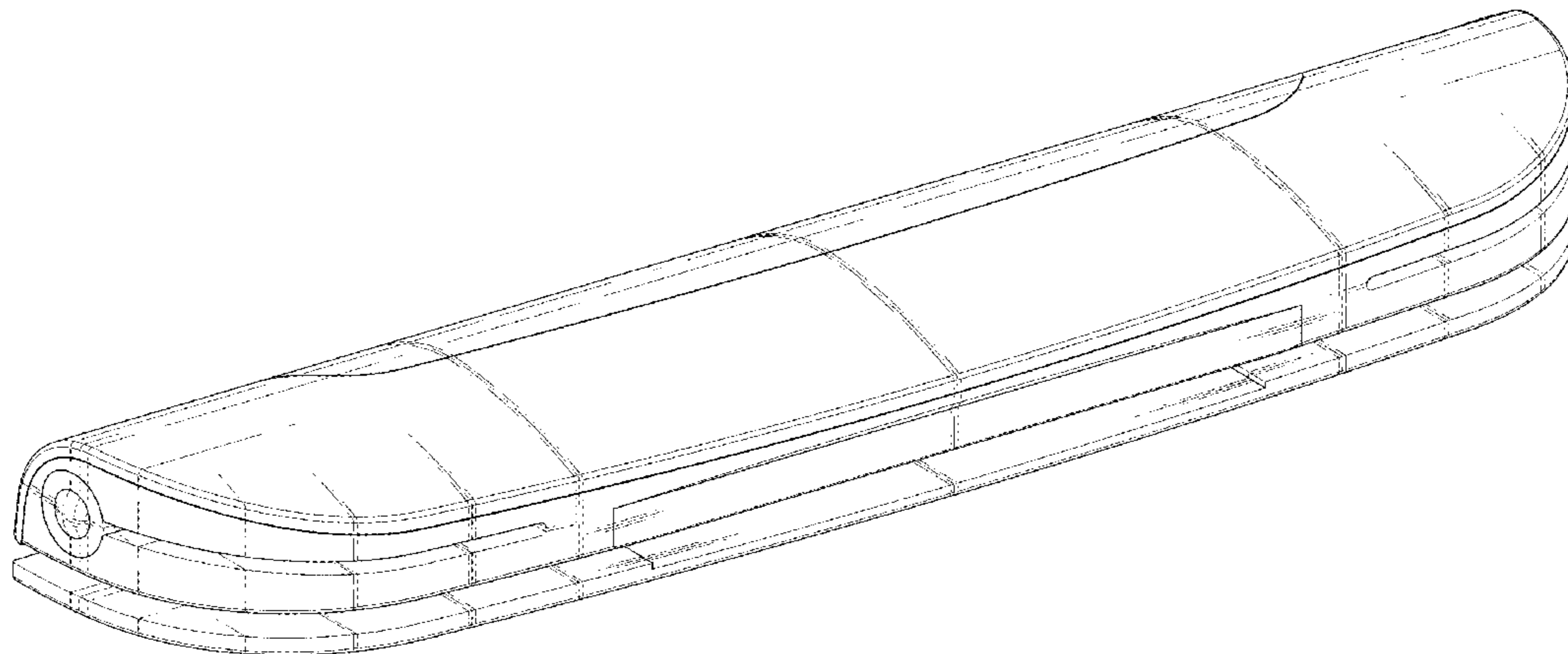
*Primary Examiner* — Susan Moon Lee  
(74) *Attorney, Agent, or Firm* — NSIP Law

(57) **CLAIM**  
The ornamental design for a digital clipboard reader, as shown and described.

**DESCRIPTION**

FIG. 1 is a front perspective view of a digital clipboard reader; FIG. 2 is a front view of the digital clipboard reader of FIG. 1; FIG. 3 is a rear view of the digital clipboard reader of FIG. 1; FIG. 4 is a left-side view of the digital clipboard reader of FIG. 1; FIG. 5 is a right-side view of the digital clipboard reader of FIG. 1; FIG. 6 is a top plan view of the digital clipboard reader of FIG. 1; FIG. 7 is a bottom plan view of the digital clipboard reader of FIG. 1; and, FIG. 8 is a rear perspective view of the digital clipboard reader of FIG. 1. Features shown in broken lines in FIGS. 1, 2, 3, 5, 6, and 8 form no part of the claimed design.

**1 Claim, 5 Drawing Sheets**



(56)

**References Cited**

U.S. PATENT DOCUMENTS

D441,776 S *	5/2001	Cheng	.....	D15/146	D618,716 S *	6/2010	Huang	.....	D15/146
D442,199 S *	5/2001	Cheng	.....	D15/146	D620,492 S *	7/2010	Tang et al.	.....	D14/422
D443,883 S *	6/2001	Reuter	.....	D15/146	D624,545 S *	9/2010	Kuroda et al.	.....	D14/422
D453,171 S *	1/2002	Cheng	.....	D15/146	D631,479 S *	1/2011	Komuro et al.	.....	D14/422
D483,059 S *	12/2003	Goh et al.	.....	D18/50	D633,118 S *	2/2011	Beatty et al.	.....	D15/146
D506,214 S *	6/2005	Zepter	.....	D15/146	D636,776 S *	4/2011	Kuroda et al.	.....	D14/422
D510,369 S *	10/2005	Presta	.....	D15/146	D656,180 S *	3/2012	Corcoran et al.	.....	D18/34.3
D515,601 S *	2/2006	Sholzberg et al.	.....	D15/146	D667,858 S *	9/2012	Crutchley et al.	.....	D15/146
6,994,142 B2 *	2/2006	Murphy et al.	.....	156/359	D679,739 S *	4/2013	Crutchley et al.	.....	D15/146
D534,192 S *	12/2006	Kiple et al.	.....	D15/145	D682,834 S *	5/2013	Ishikawa et al.	.....	D14/422
D544,508 S *	6/2007	Beno et al.	.....	D15/146	D686,212 S *	7/2013	Yamano et al.	.....	D14/422
D579,034 S *	10/2008	Chang	.....	D15/146	D687,079 S *	7/2013	Mueller et al.	.....	D15/146
D579,938 S *	11/2008	Romanoff et al.	.....	D14/422	D690,304 S *	9/2013	Lim	.....	D14/422
D595,556 S *	7/2009	Goodrich	.....	D8/99	D694,793 S *	12/2013	Cumming et al.	.....	D15/146
D597,572 S *	8/2009	Tsai	.....	D15/146	D694,794 S *	12/2013	Cumming	.....	D15/146
D602,966 S *	10/2009	Kiple et al.	.....	D15/146	D699,726 S *	2/2014	Seki et al.	.....	D14/422
D609,237 S *	2/2010	Romanoff et al.	.....	D14/422	2004/0250958 A1 *	12/2004	Cheng	.....	156/555
					2006/0151120 A1 *	7/2006	Matlin et al.	.....	156/583.1
					2007/0193230 A1 *	8/2007	Bapista	.....	53/510

\* cited by examiner

FIG. 1

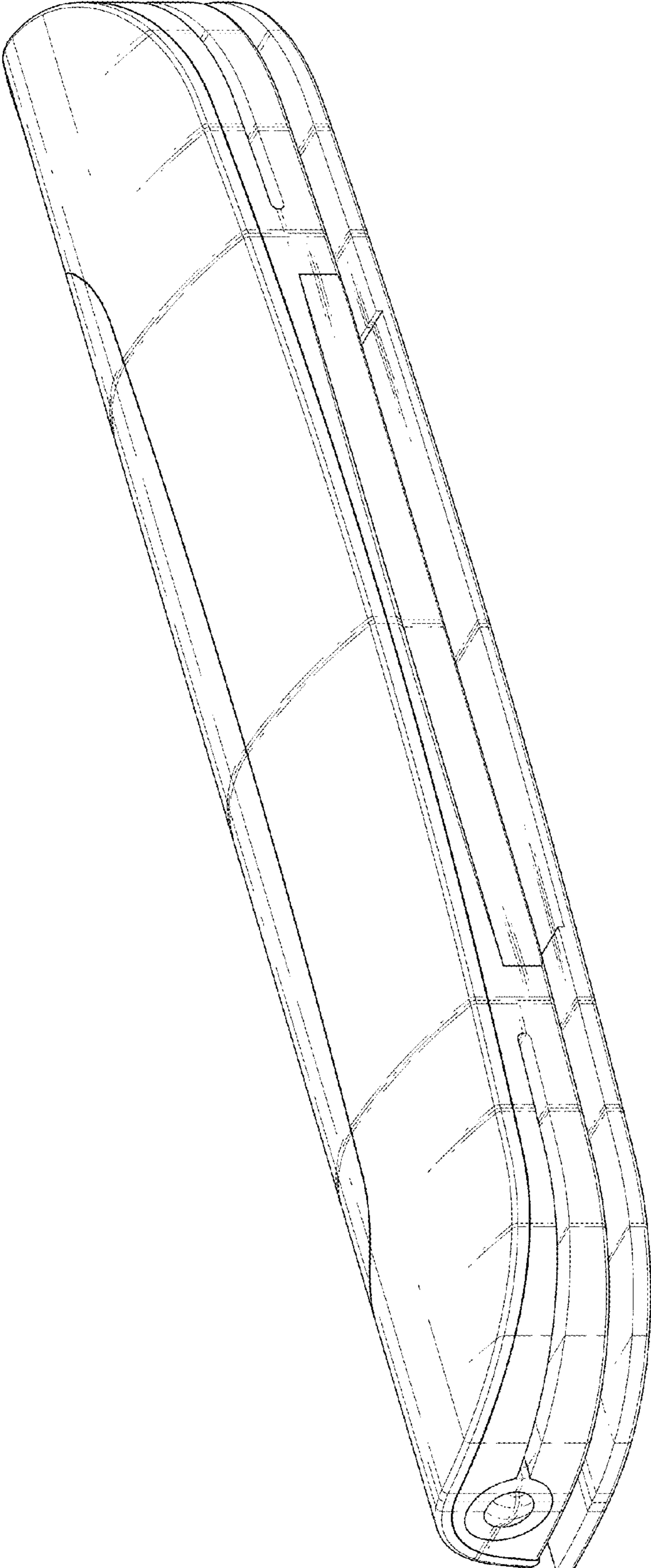


FIG. 2

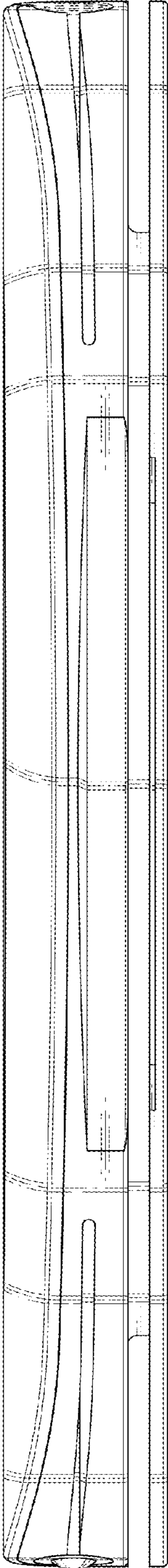


FIG. 3

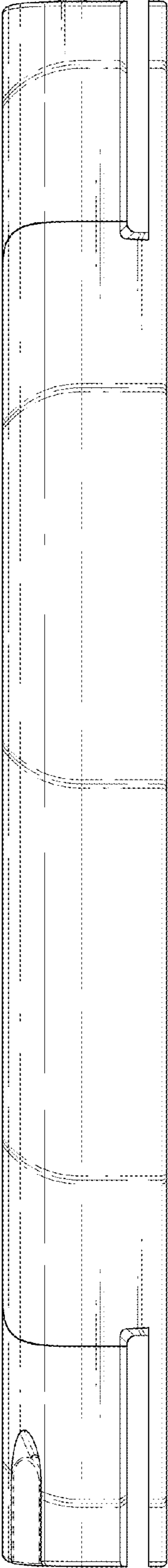


FIG. 4

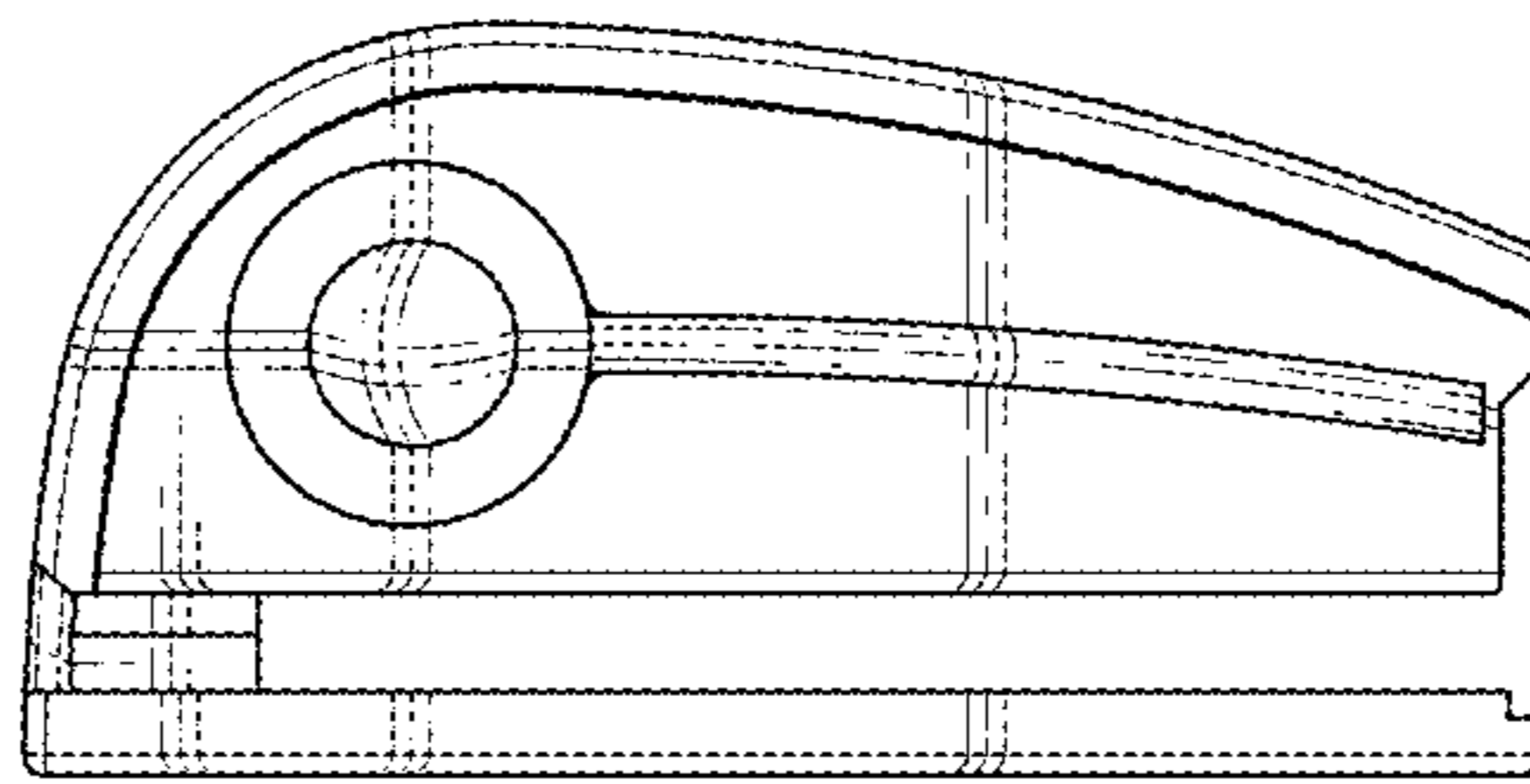


FIG. 5

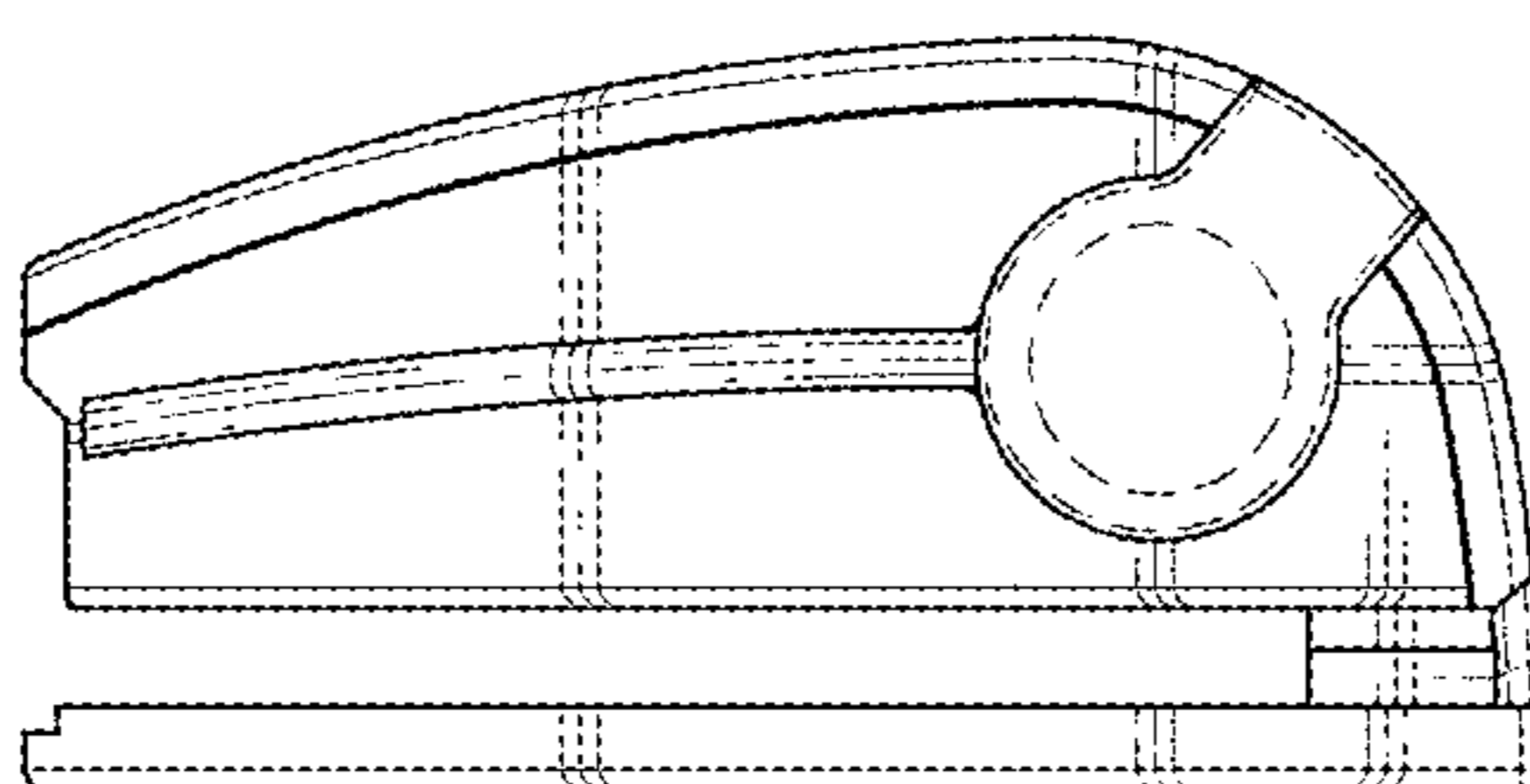


FIG. 6

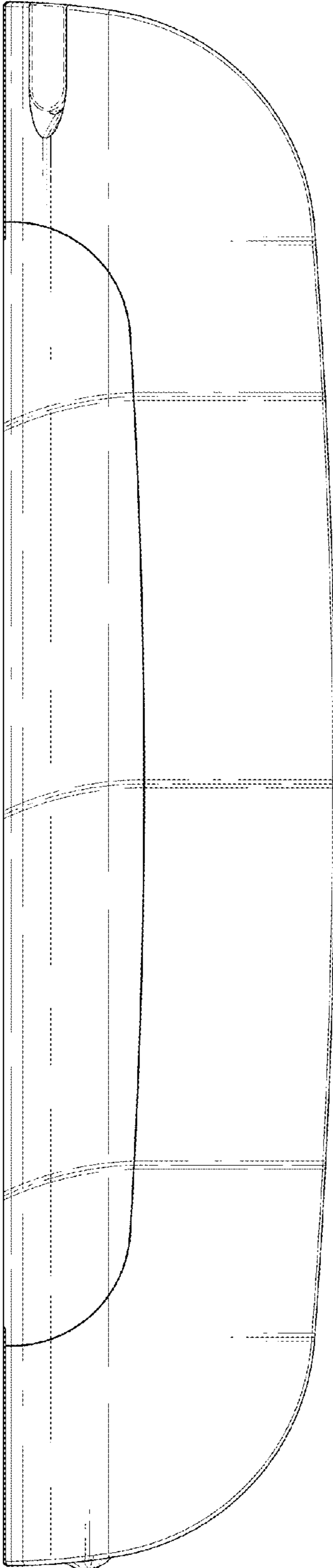


FIG. 7

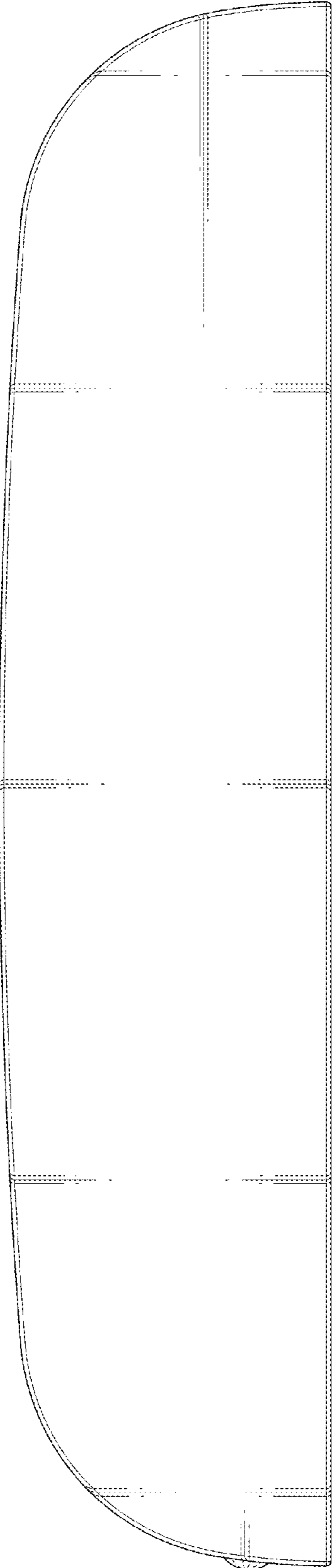


FIG. 8

