



US00D709495S

(12) **United States Design Patent**  
**Akutsu et al.**

(10) **Patent No.:** **US D709,495 S**  
(45) **Date of Patent:** **\*\* Jul. 22, 2014**

(54) **IMAGE DISPLAY MONITOR**

(56) **References Cited**

(71) Applicants: **Keiko Akutsu**, Mitaka (JP); **Shigeru Namaizawa**, Mitaka (JP); **Makoto Nakanishi**, Mitaka (JP); **Masaki Nakamura**, Hakusan (JP); **Shinichi Honda**, Hakusan (JP); **Ikuo Nakashima**, Hakusan (JP)

U.S. PATENT DOCUMENTS

D424,068	S	*	5/2000	Takemasa	.....	D14/374
D458,602	S	*	6/2002	Hasegawa et al.	.....	D14/374
D504,889	S	*	5/2005	Andre et al.	.....	D14/341
7,529,082	B2	*	5/2009	Maruta	.....	312/7.2
7,619,881	B1	*	11/2009	Granville et al.	.....	361/679.21
D634,318	S	*	3/2011	Buckle et al.	.....	D14/341
D638,419	S	*	5/2011	Ishiharada	.....	D14/341
D649,966	S	*	12/2011	Chiu	.....	D14/341
D656,497	S	*	3/2012	Chiu	.....	D14/341
D662,094	S	*	6/2012	Mack et al.	.....	D14/388
D669,075	S	*	10/2012	Seo	.....	D14/371
2010/0171889	A1	*	7/2010	Pantel et al.	.....	349/1

(72) Inventors: **Keiko Akutsu**, Mitaka (JP); **Shigeru Namaizawa**, Mitaka (JP); **Makoto Nakanishi**, Mitaka (JP); **Masaki Nakamura**, Hakusan (JP); **Shinichi Honda**, Hakusan (JP); **Ikuo Nakashima**, Hakusan (JP)

\* cited by examiner

(73) Assignees: **Japan Radio Co., Ltd.**, Mitaka-shi, Tokyo (JP); **Eizo Corporation**, Hakusan-shi, Ishikawa (JP)

*Primary Examiner* — Freda S Nunn

(74) *Attorney, Agent, or Firm* — Manabu Kanesaka

(\*\*) Term: **14 Years**

(57) **CLAIM**

(21) Appl. No.: **29/442,838**

The ornamental design for an image display monitor, as shown and described.

(22) Filed: **May 28, 2013**

**DESCRIPTION**

(30) **Foreign Application Priority Data**

Mar. 28, 2013 (JP) ..... 2013-6867

(51) **LOC (10) Cl.** ..... **14-02**

(52) **U.S. Cl.**  
USPC ..... **D14/371**

(58) **Field of Classification Search**  
CPC ..... B43L 1/00; B43L 1/04  
USPC ..... D14/371-375, 125-129, 336, 337;  
341/12; 345/104, 156, 168, 173;  
348/180, 184, 325, 739; 349/1, 2, 11,  
349/62; 361/679.05-679.07, 679.21;  
D6/300, 308

FIG. 1 is a front view of an image display monitor showing our new design;  
FIG. 2 is a rear view thereof;  
FIG. 3 is a right side view thereof, a left side view being symmetrical to the right side view;  
FIG. 4 is a top view thereof;  
FIG. 5 is a bottom view thereof; and,  
FIG. 6 is a cross-sectional view thereof along the line 6-6 in FIG. 1.

The broken lines depict portions of the image display monitor that form no part of claimed design.

See application file for complete search history.

**1 Claim, 3 Drawing Sheets**

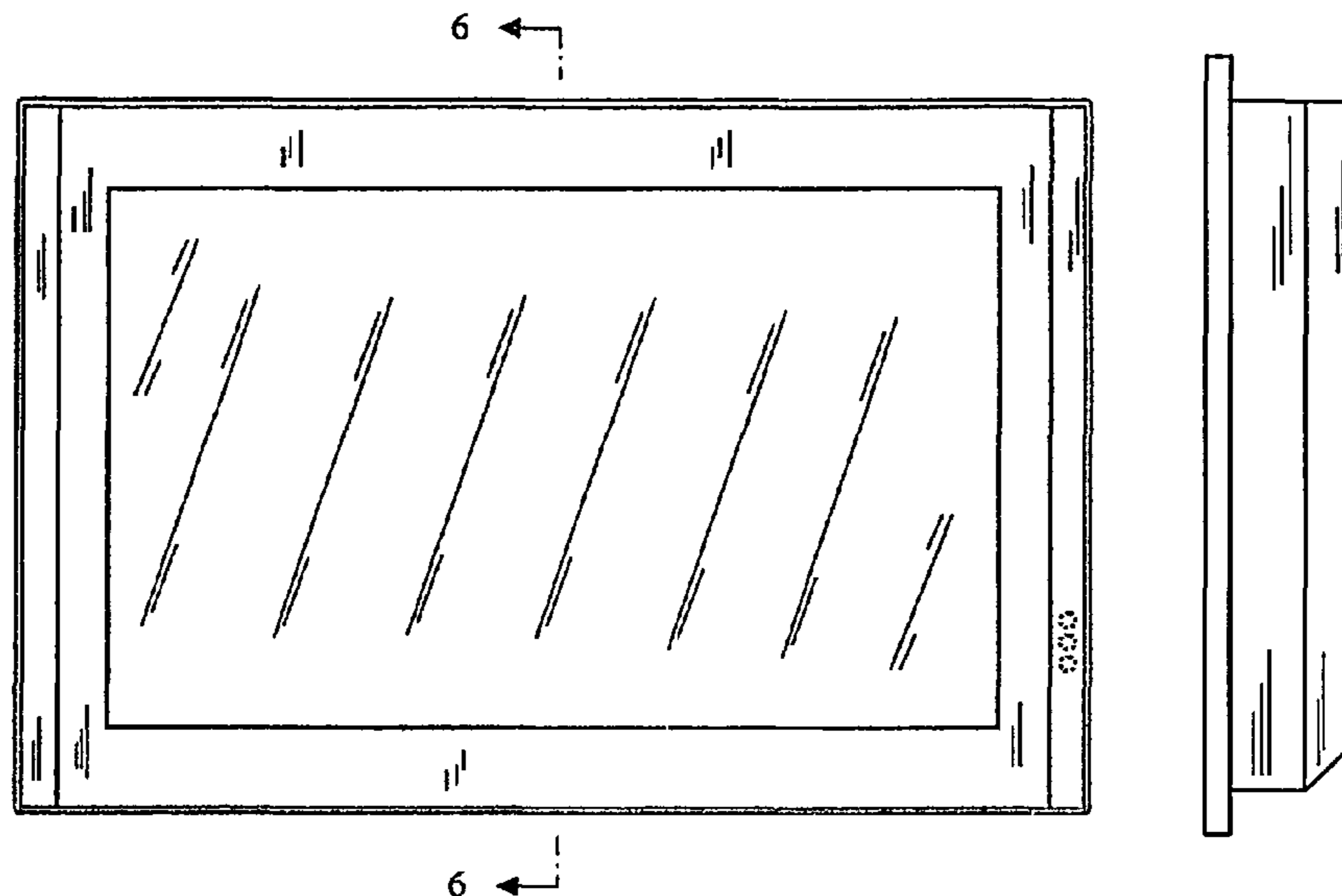


Fig. 1

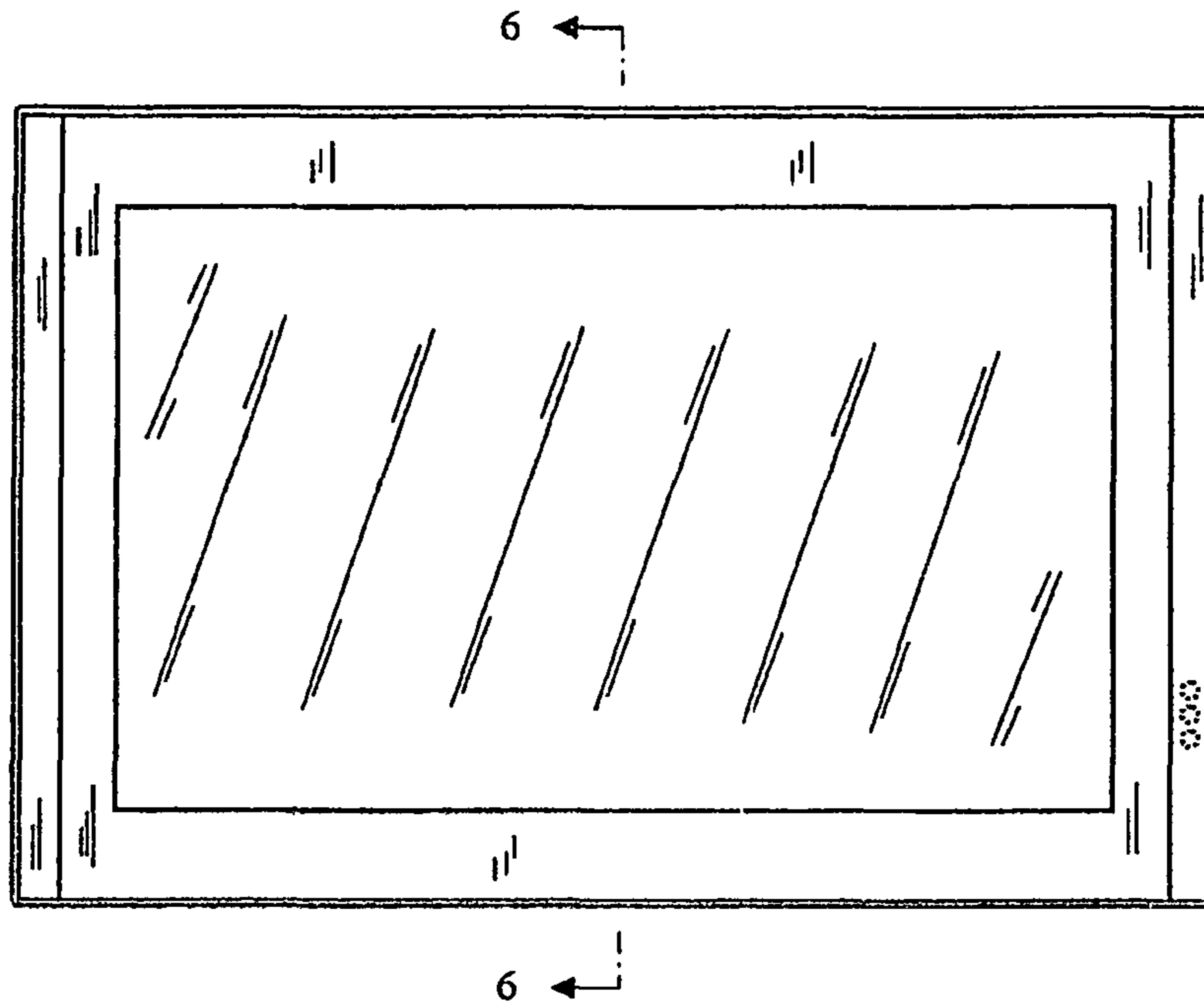


Fig. 2

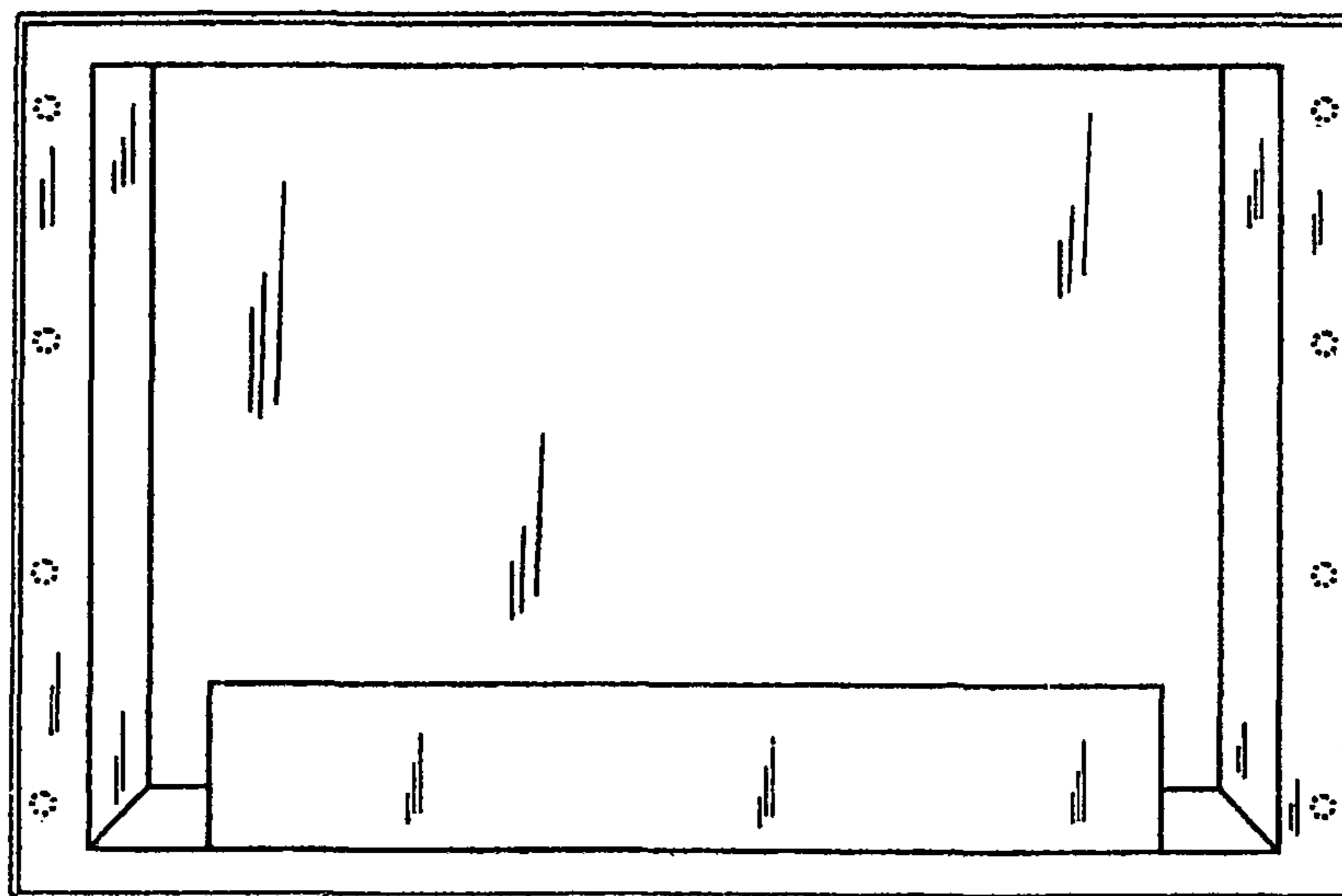


Fig. 3

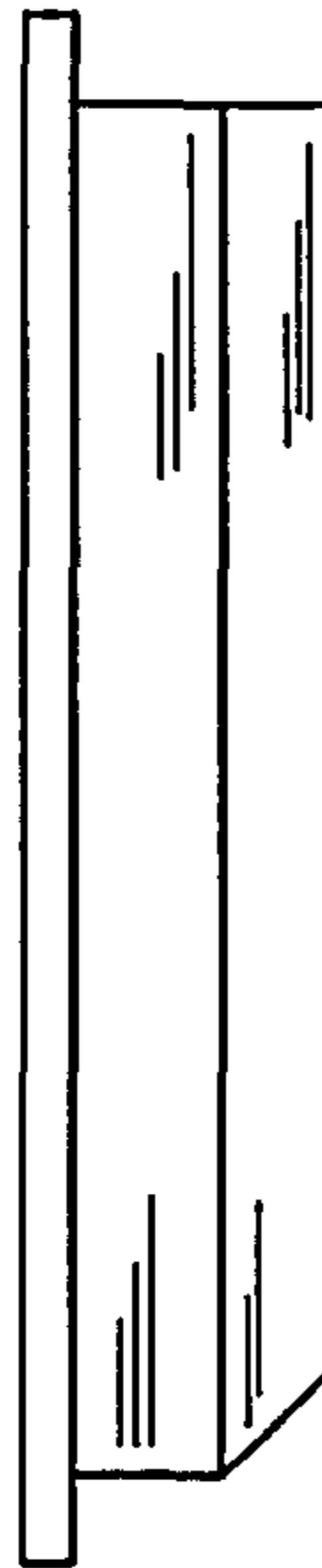


Fig. 4

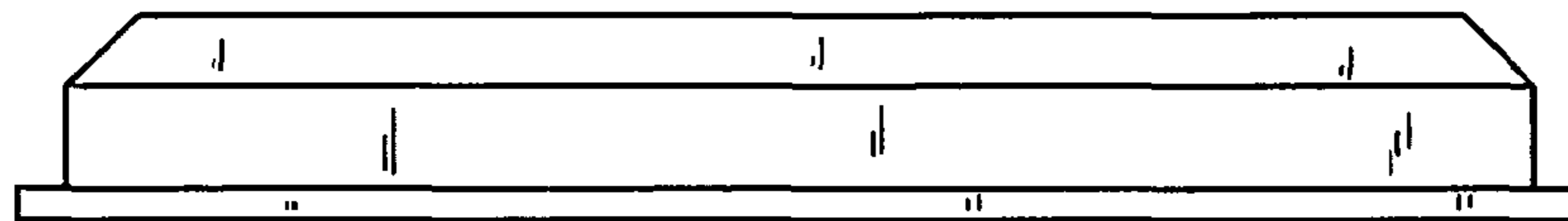


Fig. 5

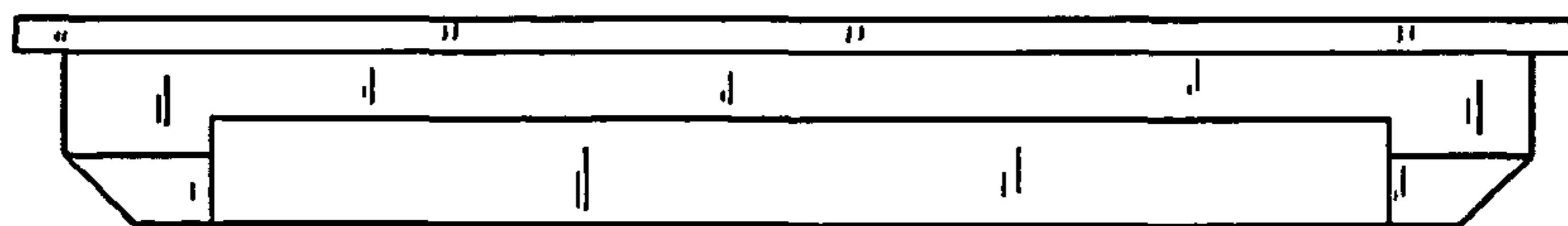
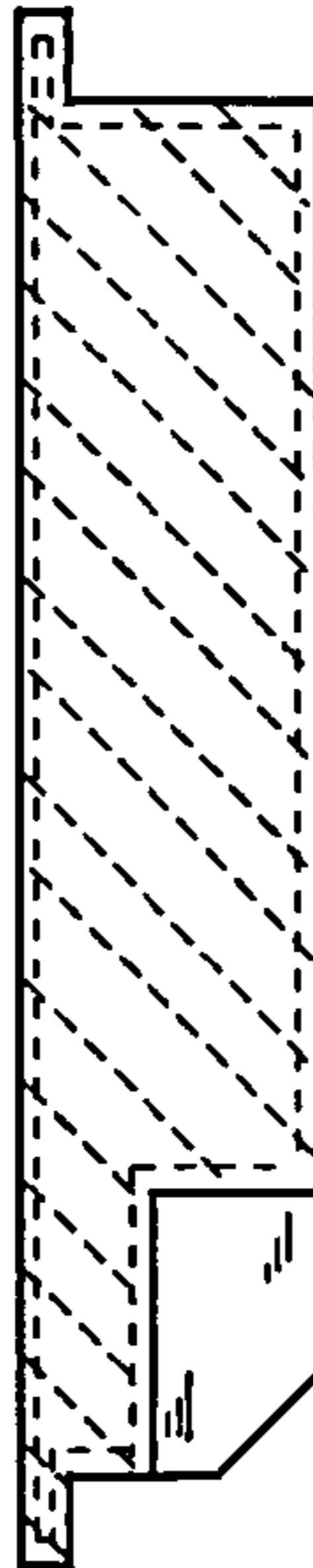


Fig. 6



UNITED STATES PATENT AND TRADEMARK OFFICE  
**CERTIFICATE OF CORRECTION**

PATENT NO. : D709,495 S  
APPLICATION NO. : 29/442838  
DATED : July 22, 2014  
INVENTOR(S) : Keiko Akutsu et al.

Page 1 of 3

It is certified that error appears in the above-identified patent and that said Letters Patent is hereby corrected as shown below:

Title page, having illustrative fig(s) 1 and 3 is deleted and replaced therefore with the attached title page consisting of Illustrative fig(s) 1 and 3. Fig. 1 is replaced.

**In the Drawings**

The drawing sheet 1 of 3 consisting of fig(s) 1 and 2 should be deleted and substitute therefore the attached drawing sheets 1 of 3 consisting of fig(s) 1-2.

Signed and Sealed this  
Thirteenth Day of October, 2015



Michelle K. Lee  
*Director of the United States Patent and Trademark Office*

(12) **United States Design Patent** (10) **Patent No.:** **US D709,495 S**  
**Akutsu et al.** (45) **Date of Patent:** **\*\* Jul. 22, 2014**

(54) **IMAGE DISPLAY MONITOR**

(56) **References Cited**

(71) Applicants: **Keiko Akutsu**, Mitaka (JP); **Shigeru Namaizawa**, Mitaka (JP); **Makoto Nakanishi**, Mitaka (JP); **Masaki Nakamura**, Hakusan (JP); **Shinichi Honda**, Hakusan (JP); **Ikuo Nakashima**, Hakusan (JP)

U.S. PATENT DOCUMENTS

D424,068	S	*	5/2000	Takemasa	.....	D14/374
D458,602	S	*	6/2002	Hasegawa et al.	.....	D14/374
D504,889	S	*	5/2005	Andre et al.	.....	D14/341
7,529,082	B2	*	5/2009	Maruta	.....	312/7.2
7,619,881	B1	*	11/2009	Granville et al.	.....	361/679.21
D634,318	S	*	3/2011	Buckle et al.	.....	D14/341
D638,419	S	*	5/2011	Ishiharada	.....	D14/341
D649,966	S	*	12/2011	Chiu	.....	D14/341
D656,497	S	*	3/2012	Chiu	.....	D14/341
D662,094	S	*	6/2012	Mack et al.	.....	D14/388
D669,075	S	*	10/2012	Seo	.....	D14/371
2010/0171889	A1	*	7/2010	Pantel et al.	.....	349/1

(72) Inventors: **Keiko Akutsu**, Mitaka (JP); **Shigeru Namaizawa**, Mitaka (JP); **Makoto Nakanishi**, Mitaka (JP); **Masaki Nakamura**, Hakusan (JP); **Shinichi Honda**, Hakusan (JP); **Ikuo Nakashima**, Hakusan (JP)

\* cited by examiner

(73) Assignees: **Japan Radio Co., Ltd.**, Mitaka-shi, Tokyo (JP); **Eizo Corporation**, Hakusan-shi, Ishikawa (JP)

*Primary Examiner* — Freda S Nunn

(74) *Attorney, Agent, or Firm* — Manabu Kanesaka

(\*\*) Term: **14 Years**

(57) **CLAIM**

(21) Appl. No.: **29/442,838**

The ornamental design for an image display monitor, as shown and described.

(22) Filed: **May 28, 2013**

**DESCRIPTION**

(30) **Foreign Application Priority Data**

Mar. 28, 2013 (JP) ..... 2013-6867

(51) **LOC (10) Cl.** ..... **14-02**

(52) **U.S. Cl.**  
USPC ..... **D14/371**

(58) **Field of Classification Search**  
CPC ..... B43L 1/00; B43L 1/04  
USPC ..... D14/371 375, 125 129, 336, 337;  
341/12; 345/104, 156, 168, 173;  
348/180, 184, 325, 739; 349/1, 2, 11,  
349/62; 361/679.05-679.07, 679.21;  
D6/300, 308

See application file for complete search history.

**1 Claim, 3 Drawing Sheets**

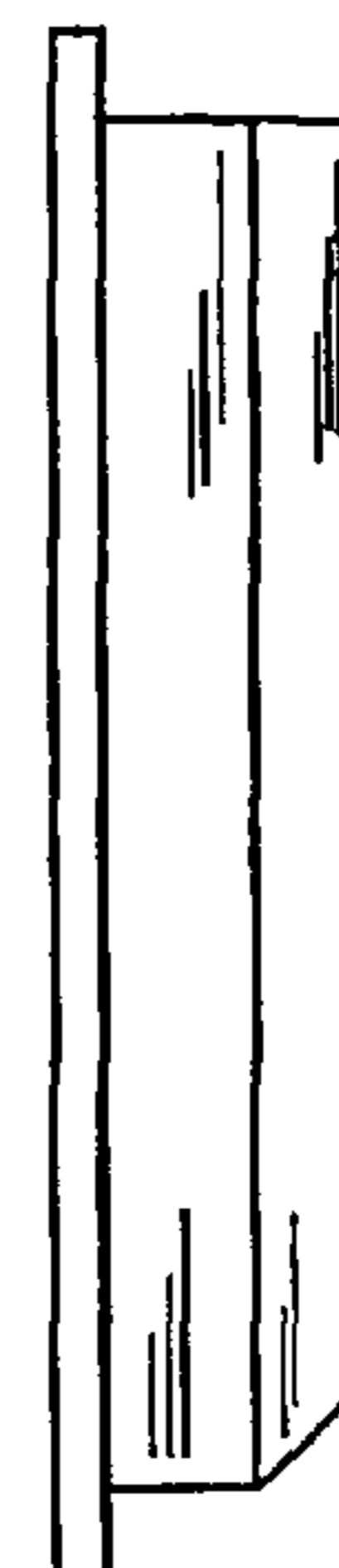
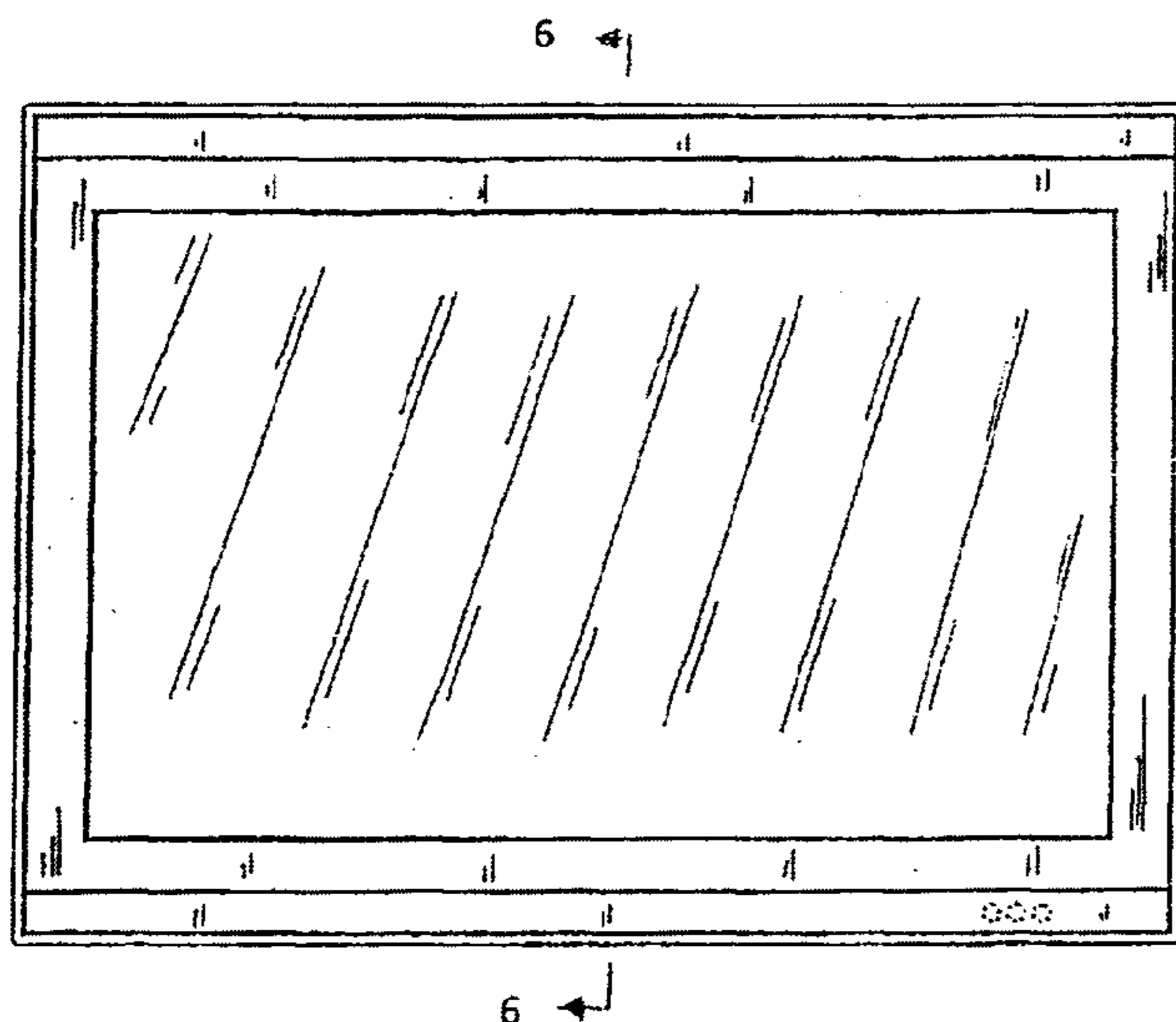
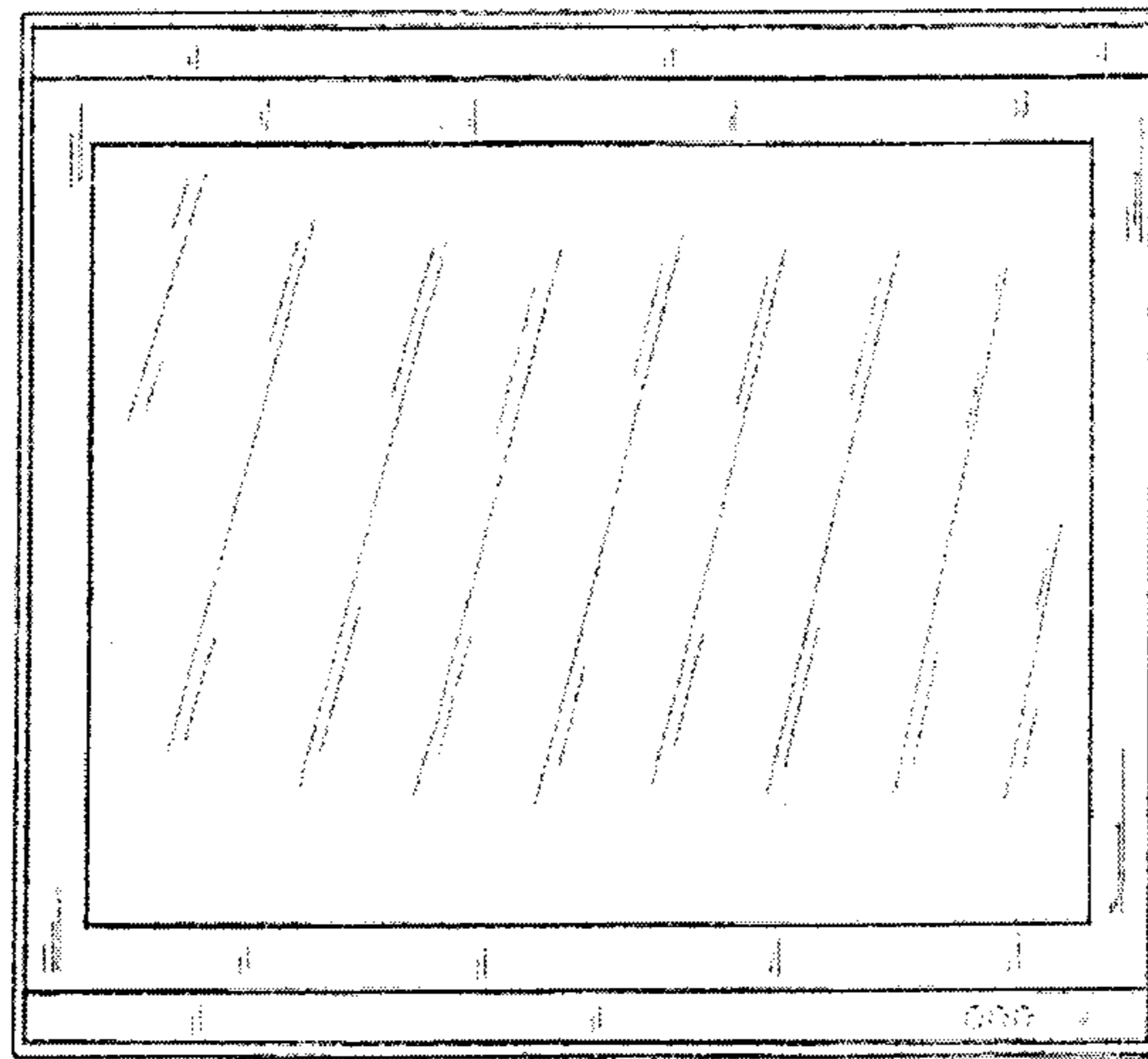


Fig. 1

6



6

Fig. 2

