



US00D709483S

(12) **United States Design Patent**
Forster

(10) **Patent No.:** **US D709,483 S**

(45) **Date of Patent:** **** Jul. 22, 2014**

(54) **RFID ANTENNA**

(71) Applicant: **Ian James Forster**, Essex (GB)

(72) Inventor: **Ian James Forster**, Essex (GB)

(73) Assignee: **Avery Dennison Corporation**,
Glendale, CA (US)

(**) Term: **14 Years**

(21) Appl. No.: **29/464,853**

(22) Filed: **Aug. 21, 2013**

(51) **LOC (10) Cl.** **14-03**

(52) **U.S. Cl.**
USPC **D14/230**

(58) **Field of Classification Search**
USPC D14/138, 230–238, 299, 358; D12/42,
D12/43; 343/700 MS, 700 R–705, 711–713,
343/735, 736, 741, 748, 767, 795, 819, 840,
343/846, 866, 871–908; 455/90.2, 90.3, 91,
455/128, 269, 344, 347, 562.1

See application file for complete search history.

(56) **References Cited**

U.S. PATENT DOCUMENTS

6,100,849	A *	8/2000	Tsubaki et al.	343/702
6,466,176	B1 *	10/2002	Maoz et al.	343/767
6,657,593	B2 *	12/2003	Nagumo et al.	343/700 MS
6,759,990	B2 *	7/2004	Rossmann	343/700 MS
6,816,127	B2 *	11/2004	McKivergan et al.	343/895
7,183,980	B2 *	2/2007	Chang et al.	343/700 MS
7,583,226	B2 *	9/2009	Sakurada	343/700 MS
2009/0020328	A1 *	1/2009	Sullivan et al.	174/268

* cited by examiner

Primary Examiner — John Windmuller

(74) *Attorney, Agent, or Firm* — Avery Dennison Corporation Mentor, Ohio

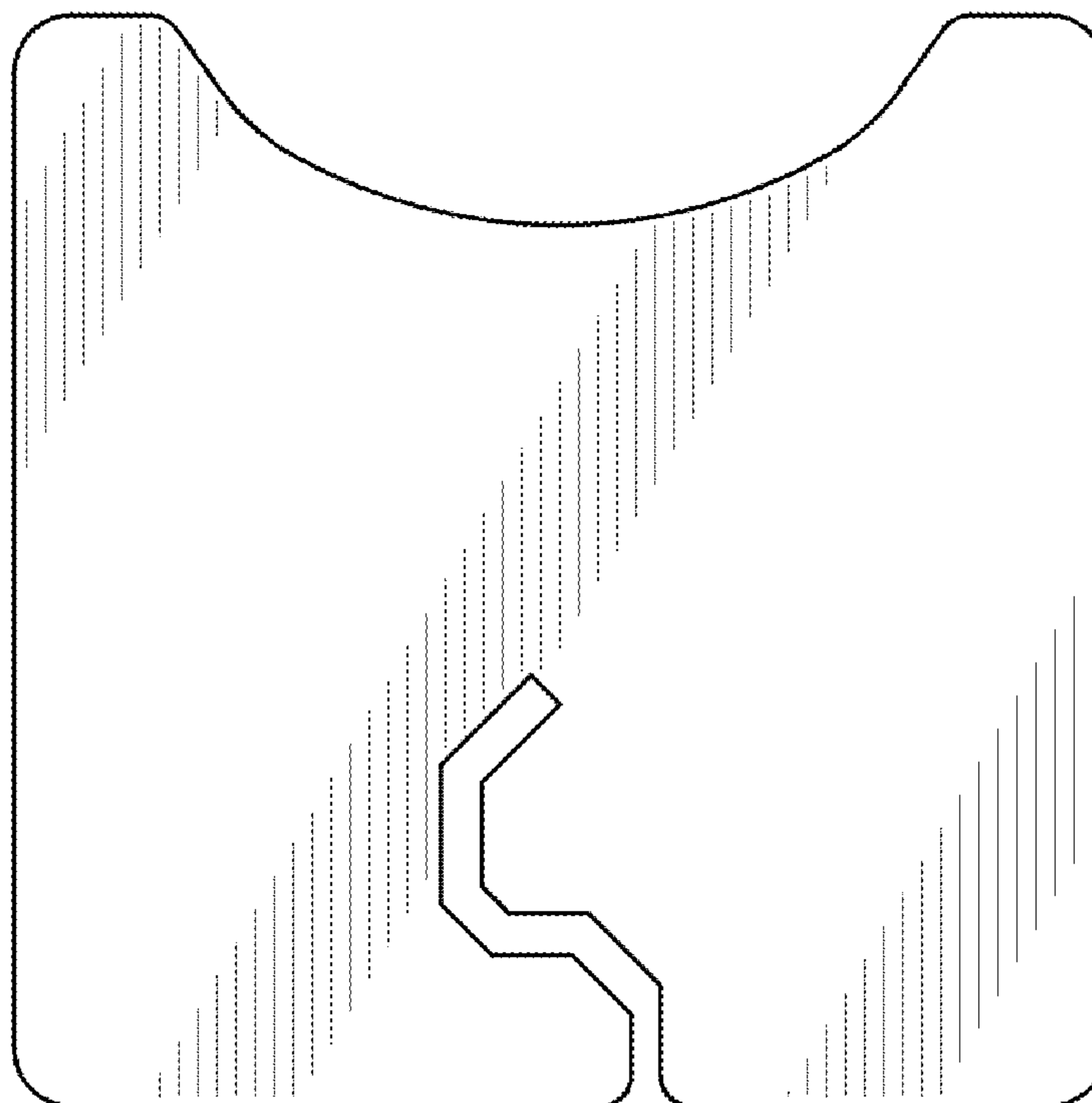
(57) **CLAIM**

The ornamental design for an RFID antenna, as shown and described.

DESCRIPTION

FIG. 1 is a plan view of an RFID antenna showing my new design; and,
FIG. 2 is an isometric view thereof.

1 Claim, 2 Drawing Sheets



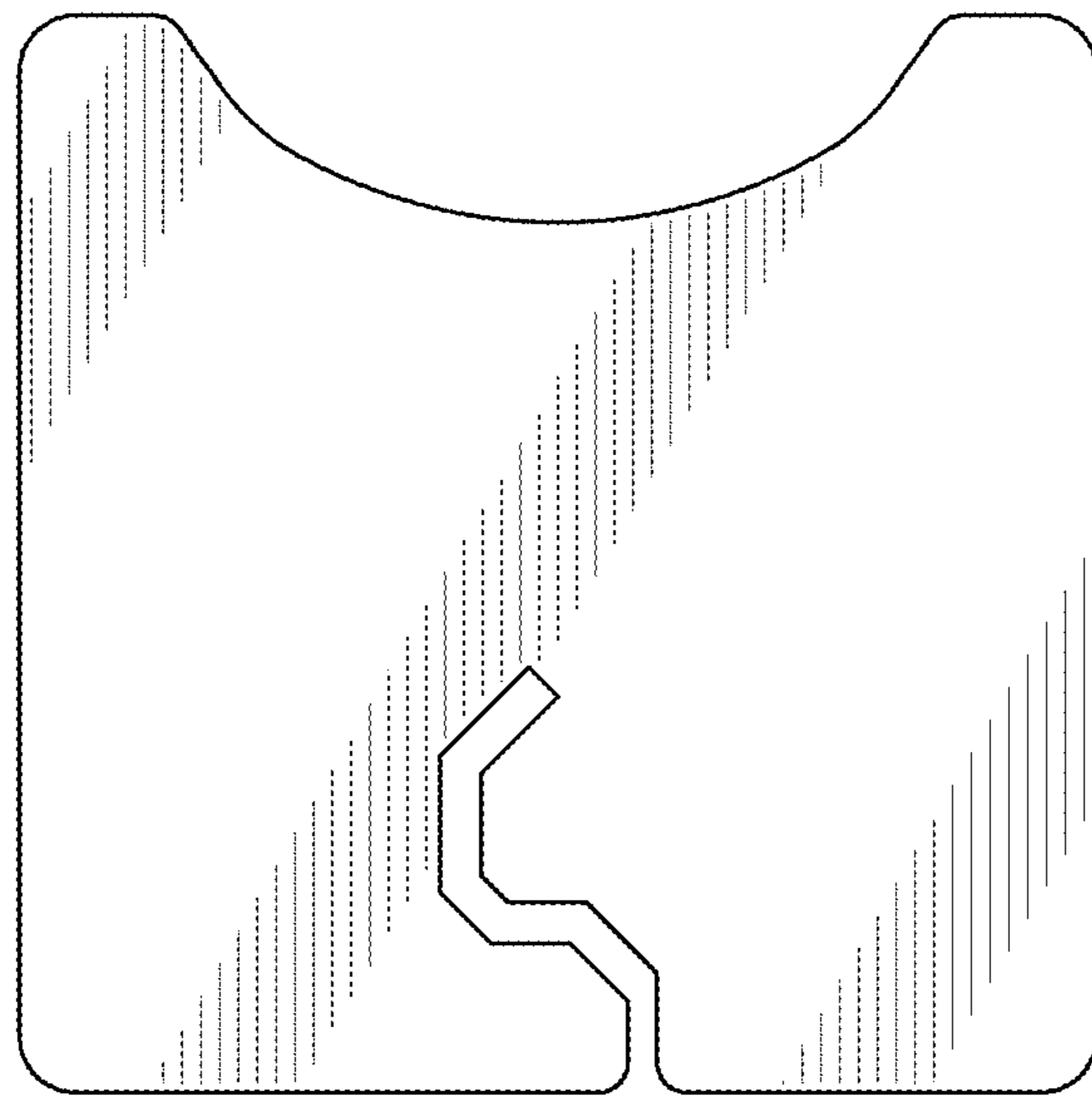


FIG. 1

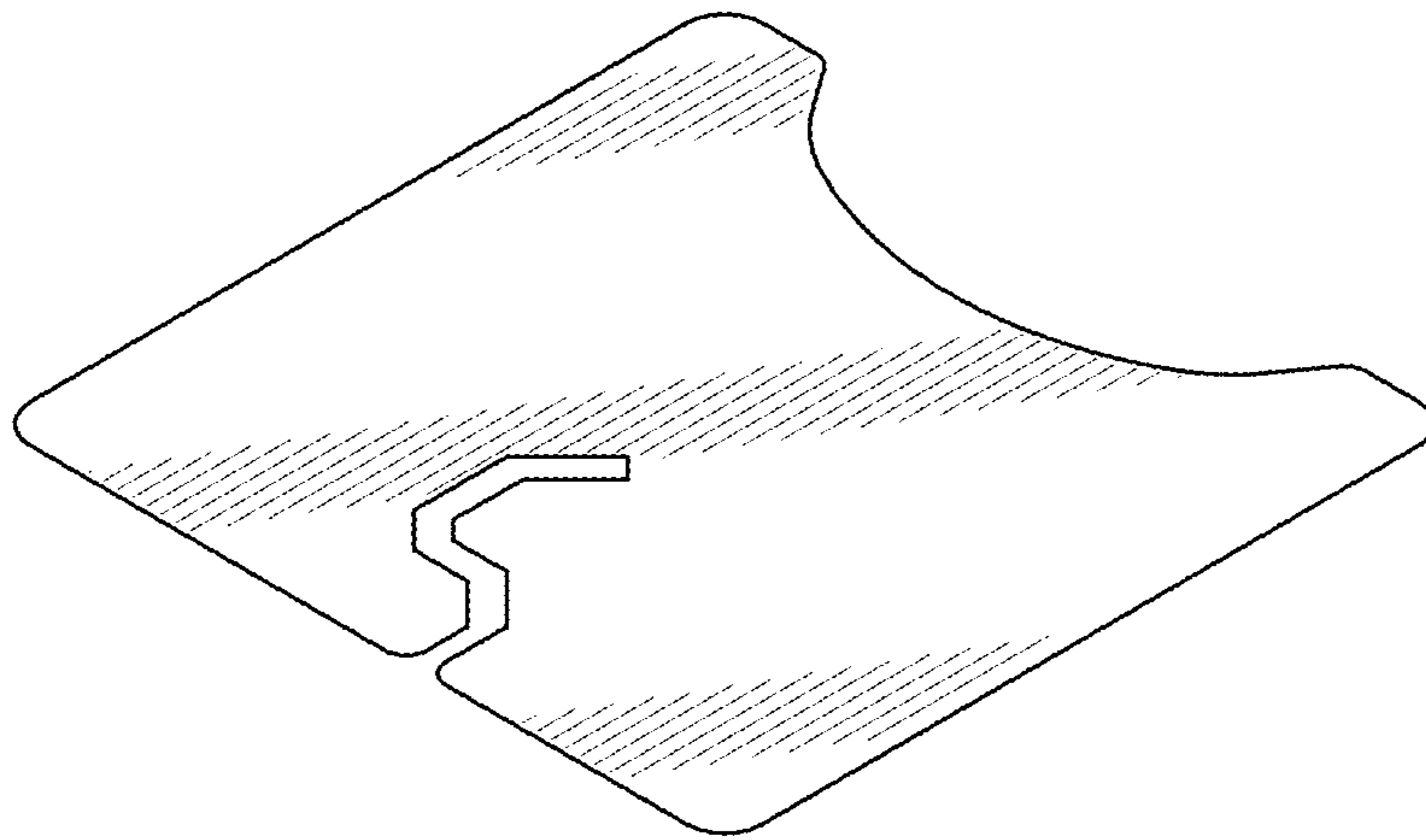


FIG. 2