



US00D709482S

(12) **United States Design Patent**  
**Ang**

(10) **Patent No.:** **US D709,482 S**  
(45) **Date of Patent:** **\*\* Jul. 22, 2014**

(54) **EARPHONE**

(71) Applicant: **Creative Technology Ltd**, Singapore  
(SG)

(72) Inventor: **Huang Pheng Vince Ang**, Singapore  
(SG)

(73) Assignee: **Creative Technology Ltd**, Singapore  
(SG)

(\*\*) Term: **14 Years**

(21) Appl. No.: **29/459,468**

(22) Filed: **Jun. 28, 2013**

(30) **Foreign Application Priority Data**

Dec. 28, 2012 (SG) ..... D2012/1538/D

(51) **LOC (10) Cl.** ..... **14-01**

(52) **U.S. Cl.**

CPC ..... **H04R 1/10** (2013.01)

USPC ..... **D14/223**

(58) **Field of Classification Search**

CPC ..... H04R 1/10

USPC ..... D14/223; 181/129, 130, 135; 379/430,

379/431; 381/380, 381; 455/90.3, 575.2

See application file for complete search history.

(56) **References Cited**

**U.S. PATENT DOCUMENTS**

4,133,984	A	*	1/1979	Akiyama	.....	381/328
5,410,608	A	*	4/1995	Lucey et al.	.....	381/360
D457,514	S	*	5/2002	Marion et al.	.....	D14/223
D554,627	S	*	11/2007	Gondo	.....	D14/223
D567,217	S	*	4/2008	Kamo et al.	.....	D14/205
D572,703	S	*	7/2008	Ledbetter et al.	.....	D14/205
D579,005	S	*	10/2008	Wilhelmsen	.....	D14/223

D594,441	S	*	6/2009	Lee et al.	.....	D14/205
D600,675	S	*	9/2009	Lee et al.	.....	D14/205
D631,034	S	*	1/2011	Yeo	.....	D14/205
D632,677	S	*	2/2011	Brown et al.	.....	D14/223
D637,999	S	*	5/2011	Brunner et al.	.....	D14/205
D641,010	S	*	7/2011	Kwon	.....	D14/223
D643,416	S	*	8/2011	Chong et al.	.....	D14/223
D652,822	S	*	1/2012	Lee et al.	.....	D14/223
D660,292	S	*	5/2012	Rautiainen	.....	D14/223
D666,581	S	*	9/2012	Perez	.....	D14/223
D674,377	S	*	1/2013	Schaefer	.....	D14/223
D674,904	S	*	1/2013	Aunio	.....	D24/210
D685,767	S	*	7/2013	Kelly et al.	.....	D14/223
D685,769	S	*	7/2013	Mogili	.....	D14/223
D697,058	S	*	1/2014	Thompson et al.	.....	D14/223
D698,761	S	*	2/2014	Bao	.....	D14/223

\* cited by examiner

*Primary Examiner* — Paula Greene

(74) *Attorney, Agent, or Firm* — Russell Swerdon; Desmond Gean

(57) **CLAIM**

The ornamental design for an earphone, substantially as shown and described.

**DESCRIPTION**

FIG. 1 is a front top left perspective view of an earphone showing our new design, the cord is drawn broken away for indeterminate length;

FIG. 2 is a rear top right side perspective view thereof;

FIG. 3 is a front elevational view thereof;

FIG. 4 is a rear elevational view thereof;

FIG. 5 is left side elevational view thereof;

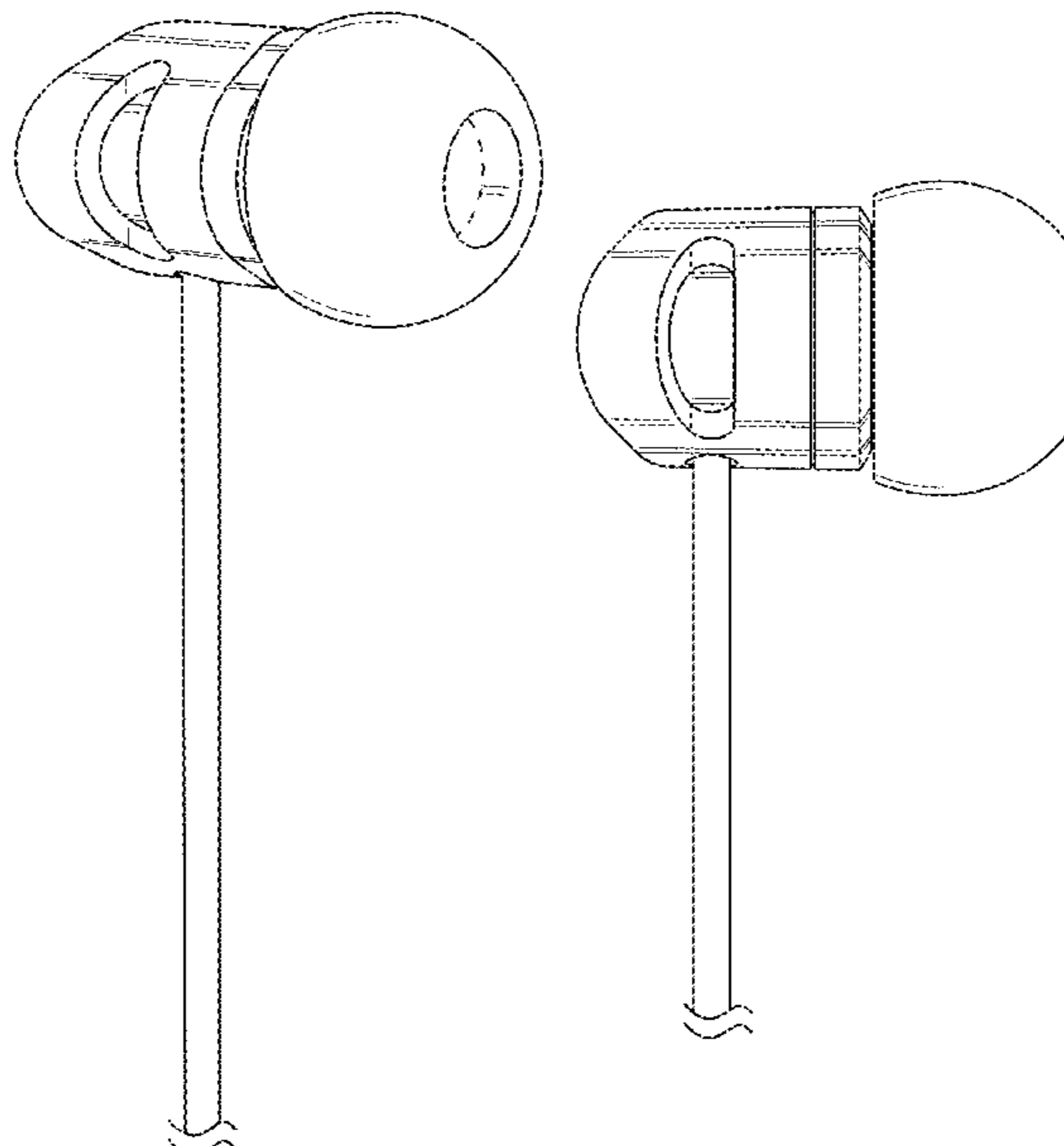
FIG. 6 is a right side elevational view thereof;

FIG. 7 is a top plan view thereof; and,

FIG. 8 is a bottom plan view thereof.

The broken lines form no part of the claimed design.

**1 Claim, 8 Drawing Sheets**



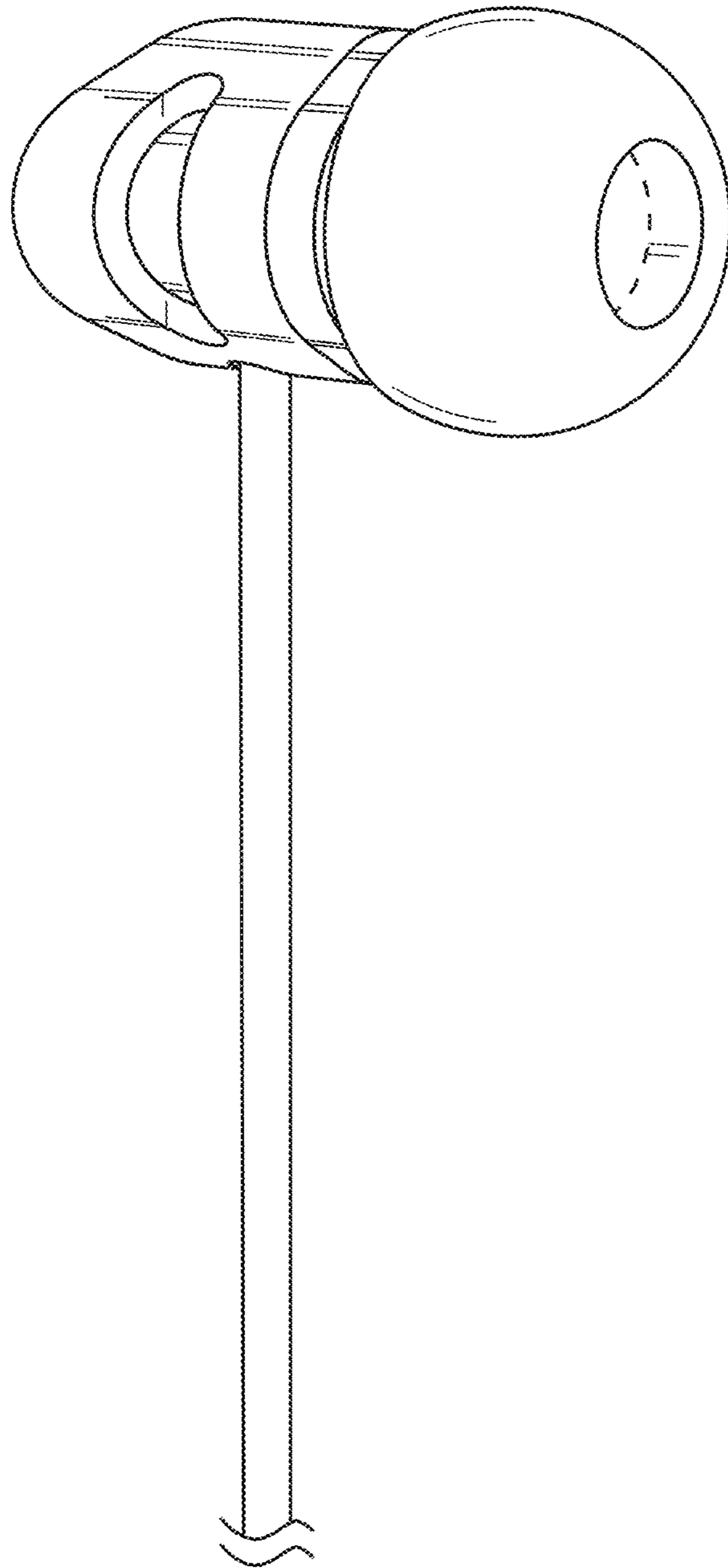


FIG. 1

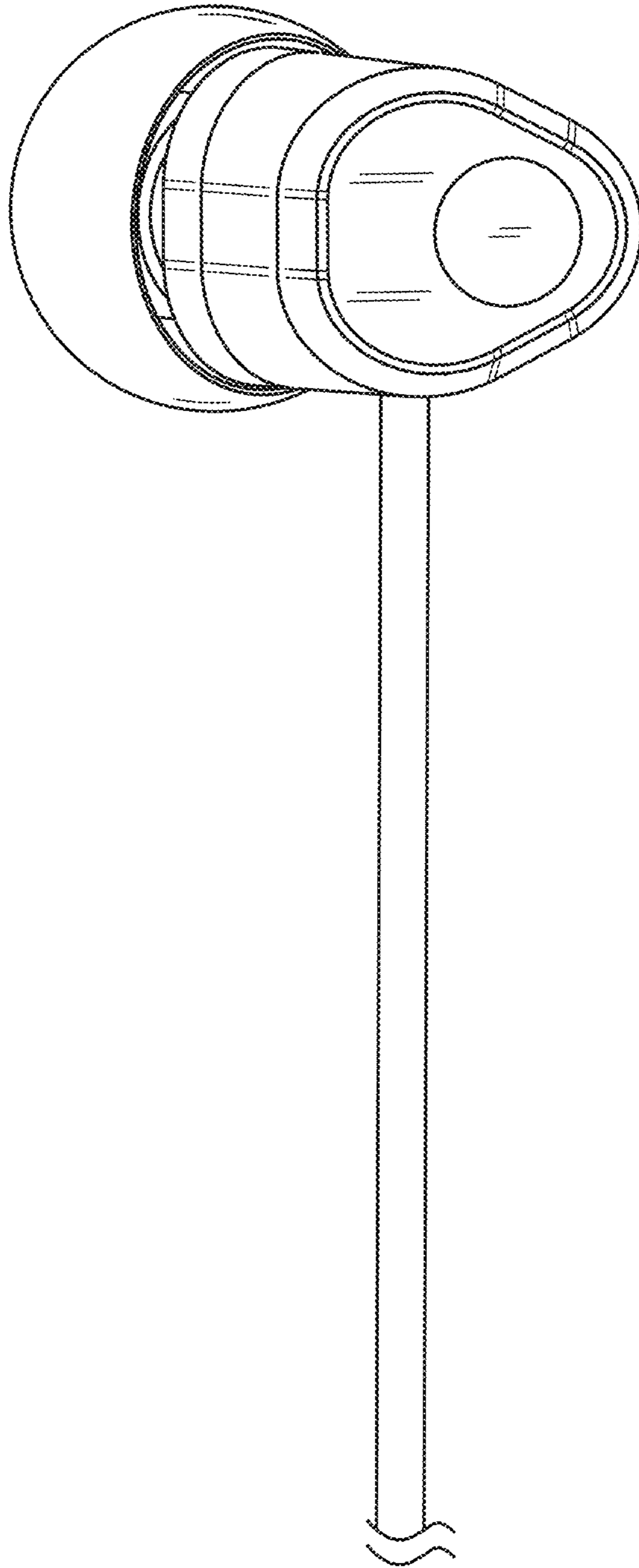


FIG. 2

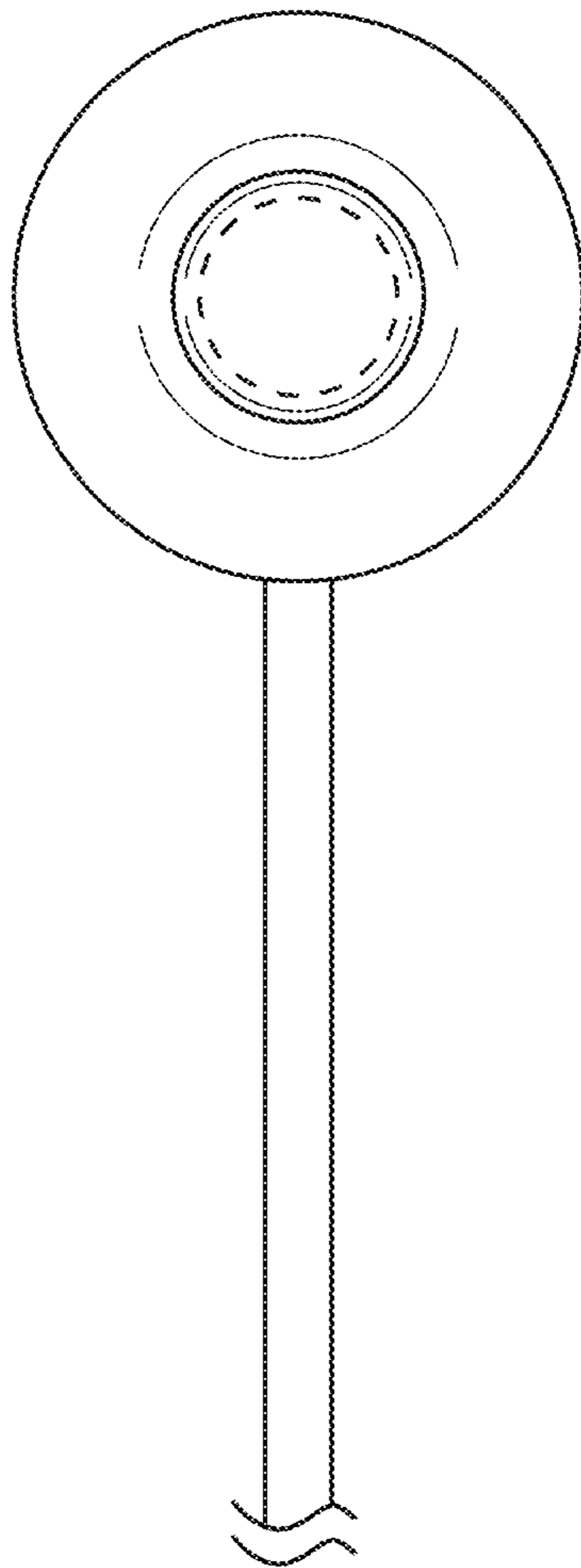


FIG. 3

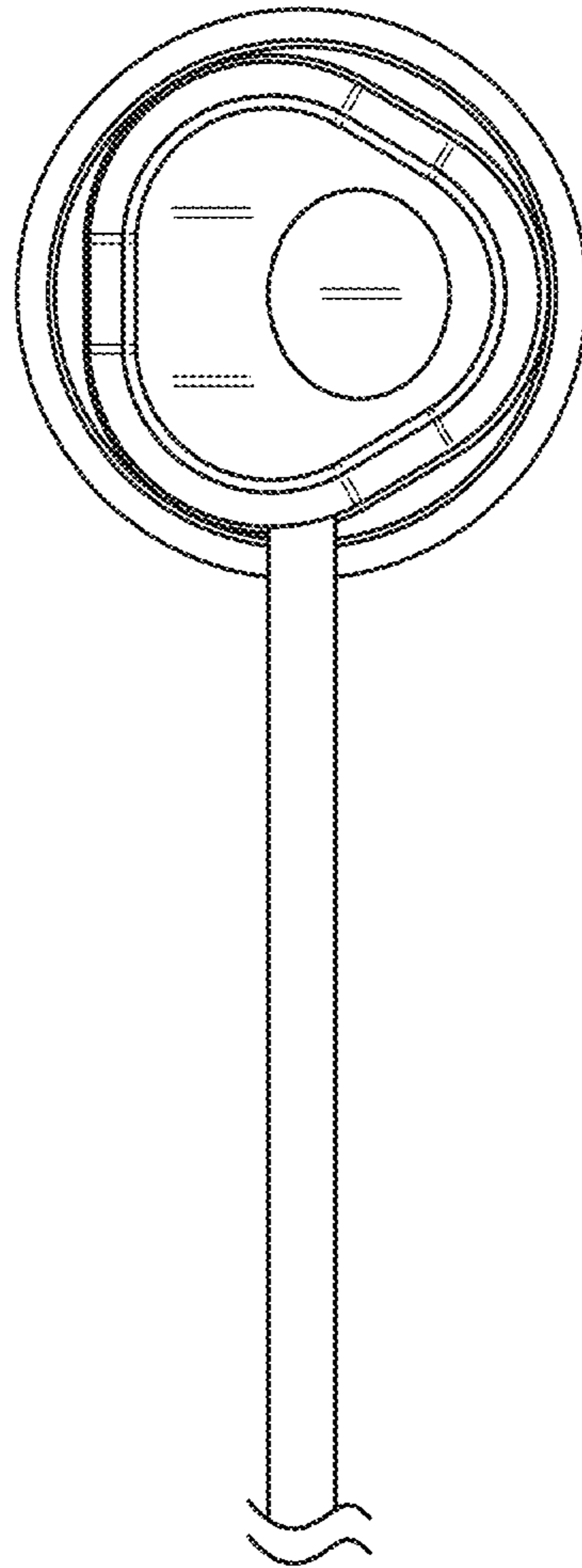


FIG. 4

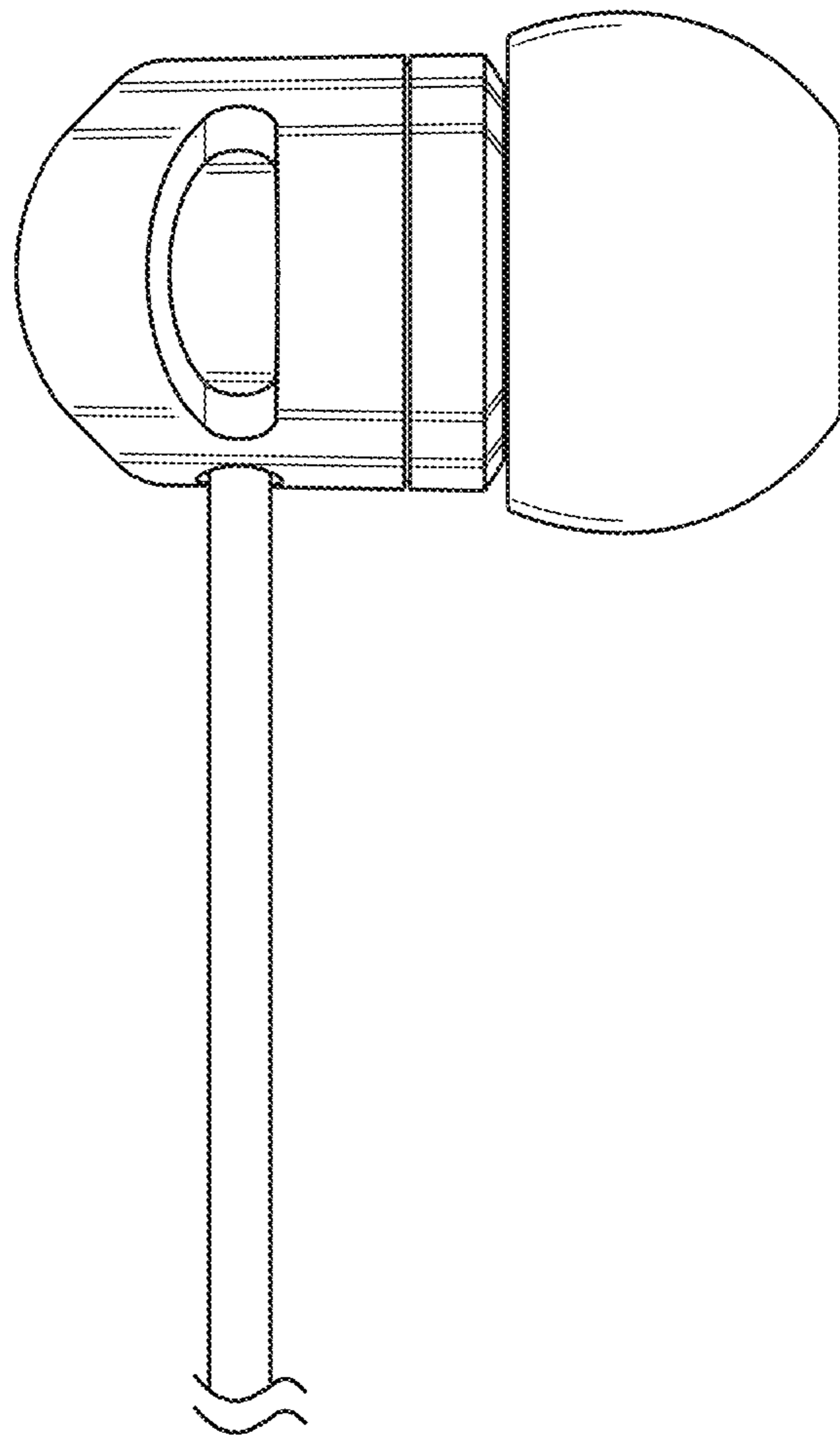


FIG. 5

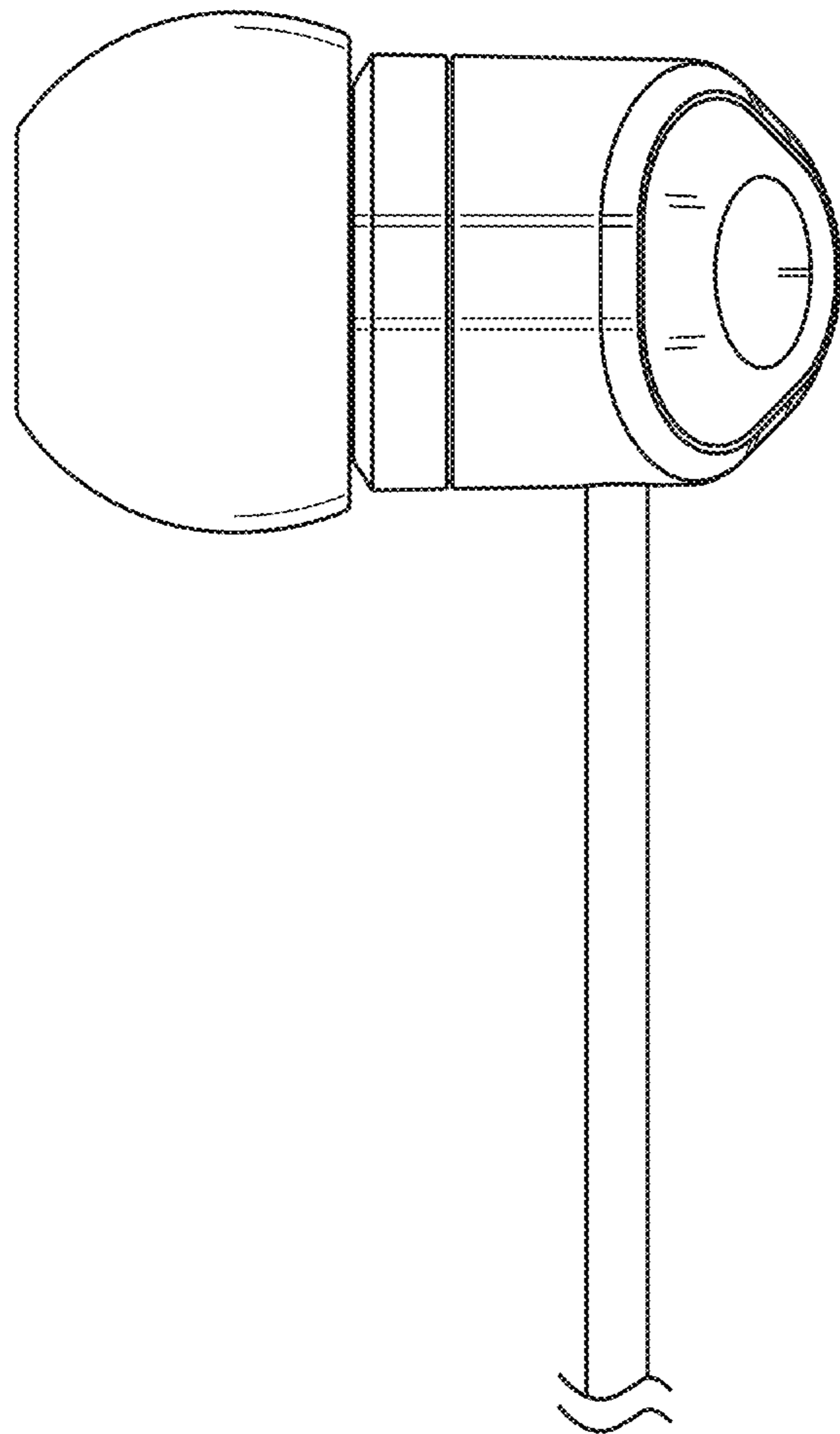


FIG. 6

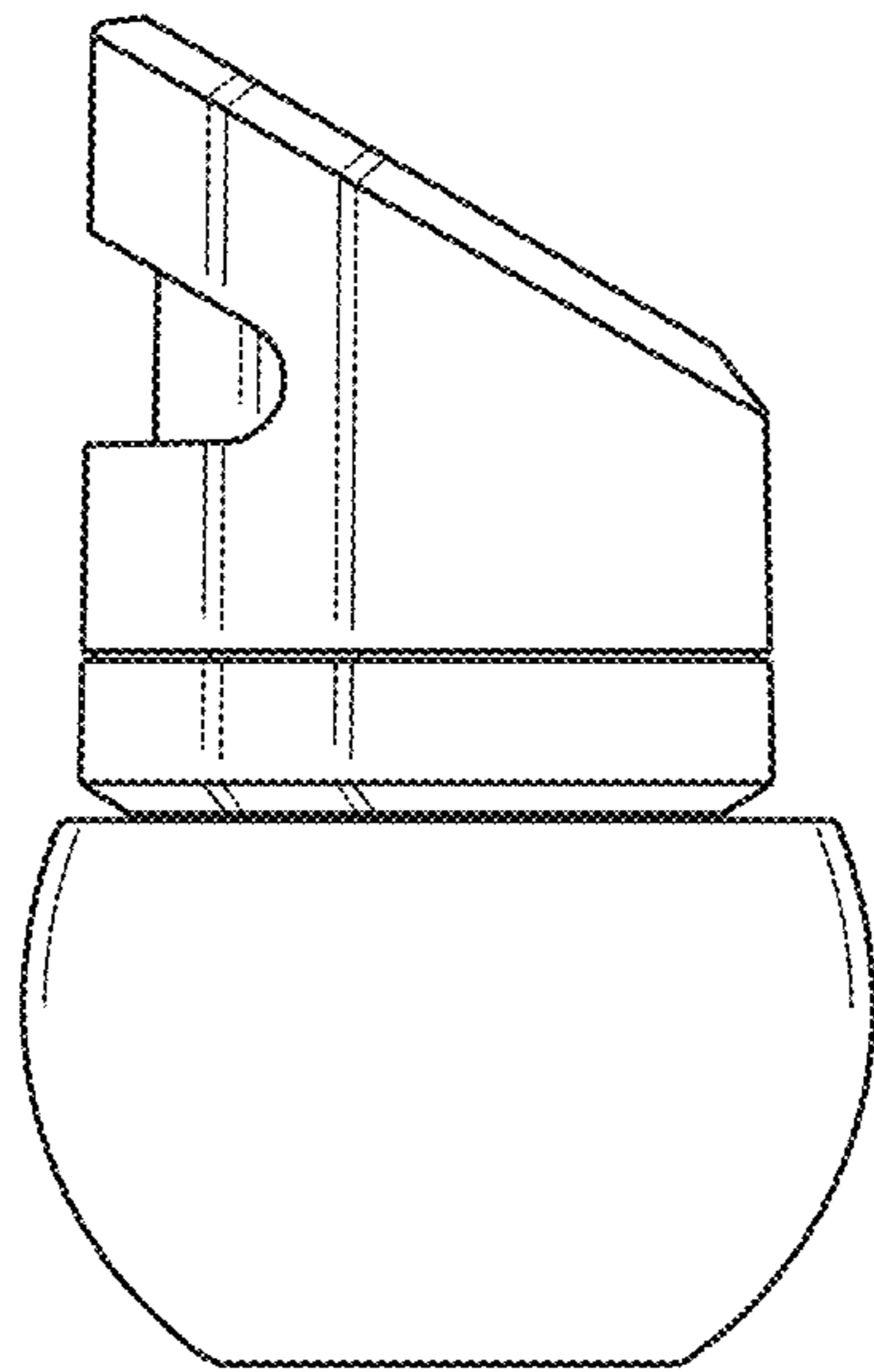


FIG. 7



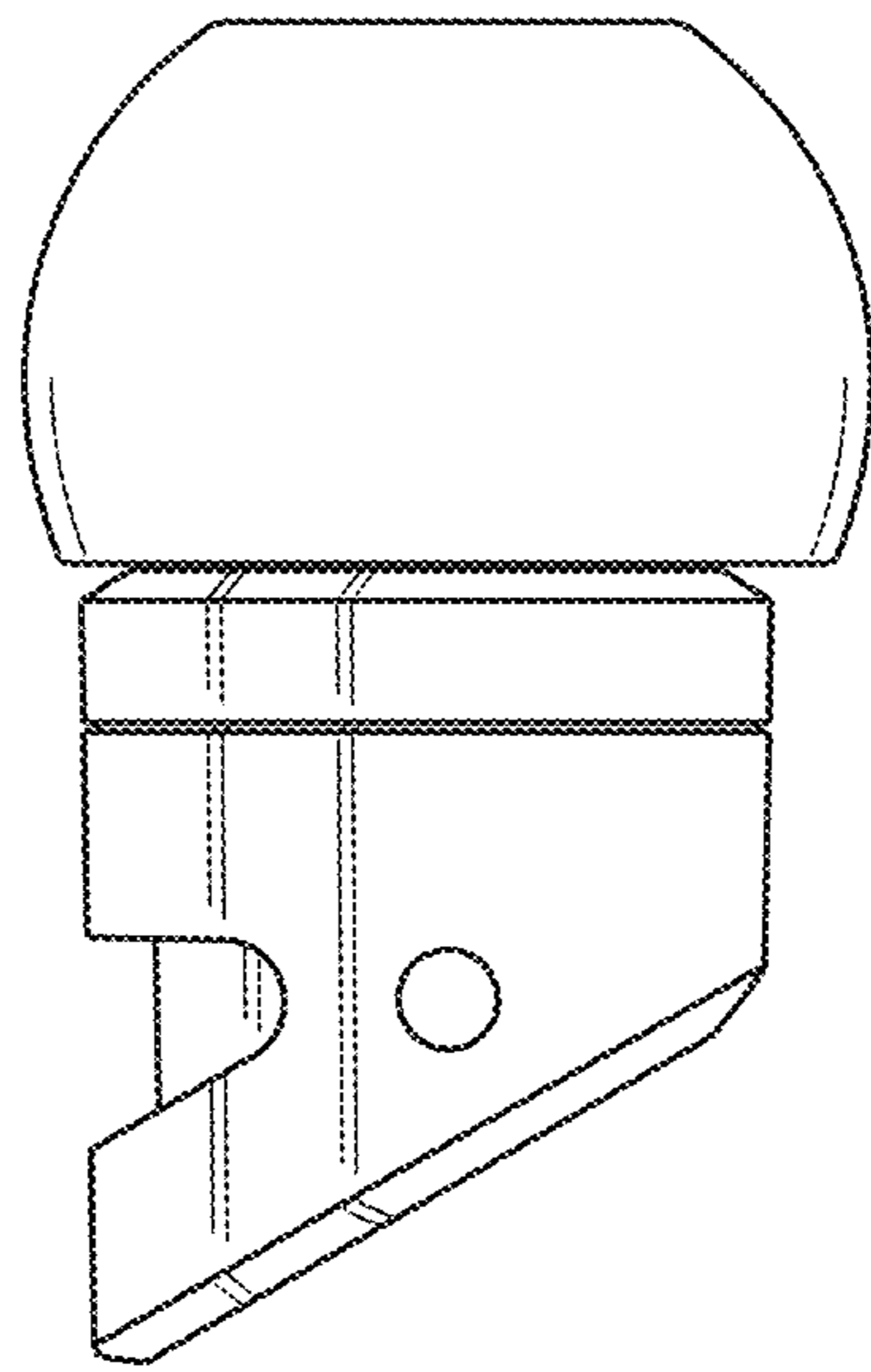


FIG. 8