



US00D709478S

(12) **United States Design Patent**
Chan

(10) **Patent No.:** **US D709,478 S**
(45) **Date of Patent:** **** Jul. 22, 2014**

(54) **SMALL VOICE CHANGER**
(71) Applicant: **Chiu Chan**, Kowloon (HK)
(72) Inventor: **Chiu Chan**, Kowloon (HK)
(73) Assignee: **Berwick Industrial Co. Limited**,
Kowloon (HK)

D189,355 S *	11/1960	Taylor	D14/187
D271,968 S *	12/1983	Segan et al.	D14/187
D372,916 S *	8/1996	Starck	D14/195
D488,736 S *	4/2004	Wiggerman	D10/120
D508,720 S *	8/2005	Yuen	D21/405
7,088,830 B2 *	8/2006	Norris et al.	381/77
D568,195 S *	5/2008	Solow	D10/120
D616,862 S *	6/2010	Kung	D14/188
D680,999 S *	4/2013	Chan	D14/158
D695,259 S *	12/2013	Chan	D14/158

(**) Term: **14 Years**

* cited by examiner

(21) Appl. No.: **29/455,289**

Primary Examiner — Keli L Hill

(22) Filed: **May 20, 2013**

(74) *Attorney, Agent, or Firm* — Prakash Nama; Global IP Services, PLLC

(51) **LOC (10) CL.** **14-03**

(52) **U.S. Cl.**
USPC **D14/187; D14/158**

(57) **CLAIM**
The ornamental design for a small voice changer, as shown.

(58) **Field of Classification Search**
CPC A63H 5/00; G10K 5/00; H04R 1/30;
H04R 1/345; H04R 1/403; H04R 27/00;
H04R 27/04; H04R 2217/03
USPC D14/185–187, 204; D10/120; D21/401,
D21/405, 483; 116/137 R; 181/177; 381/75;
446/397, 484
See application file for complete search history.

DESCRIPTION

FIG. 1 is a front elevational view of a small voice changer showing my new design;
FIG. 2 is a rear elevational view thereof;
FIG. 3 is a left side view thereof;
FIG. 4 is a right side view thereof;
FIG. 5 is a top plan view thereof;
FIG. 6 is a bottom plan view thereof; and,
FIG. 7 is a perspective view thereof.

(56) **References Cited**

U.S. PATENT DOCUMENTS

D188,494 S *	8/1960	Udell	D14/473
D189,354 S *	11/1960	Taylor	D14/187

1 Claim, 7 Drawing Sheets



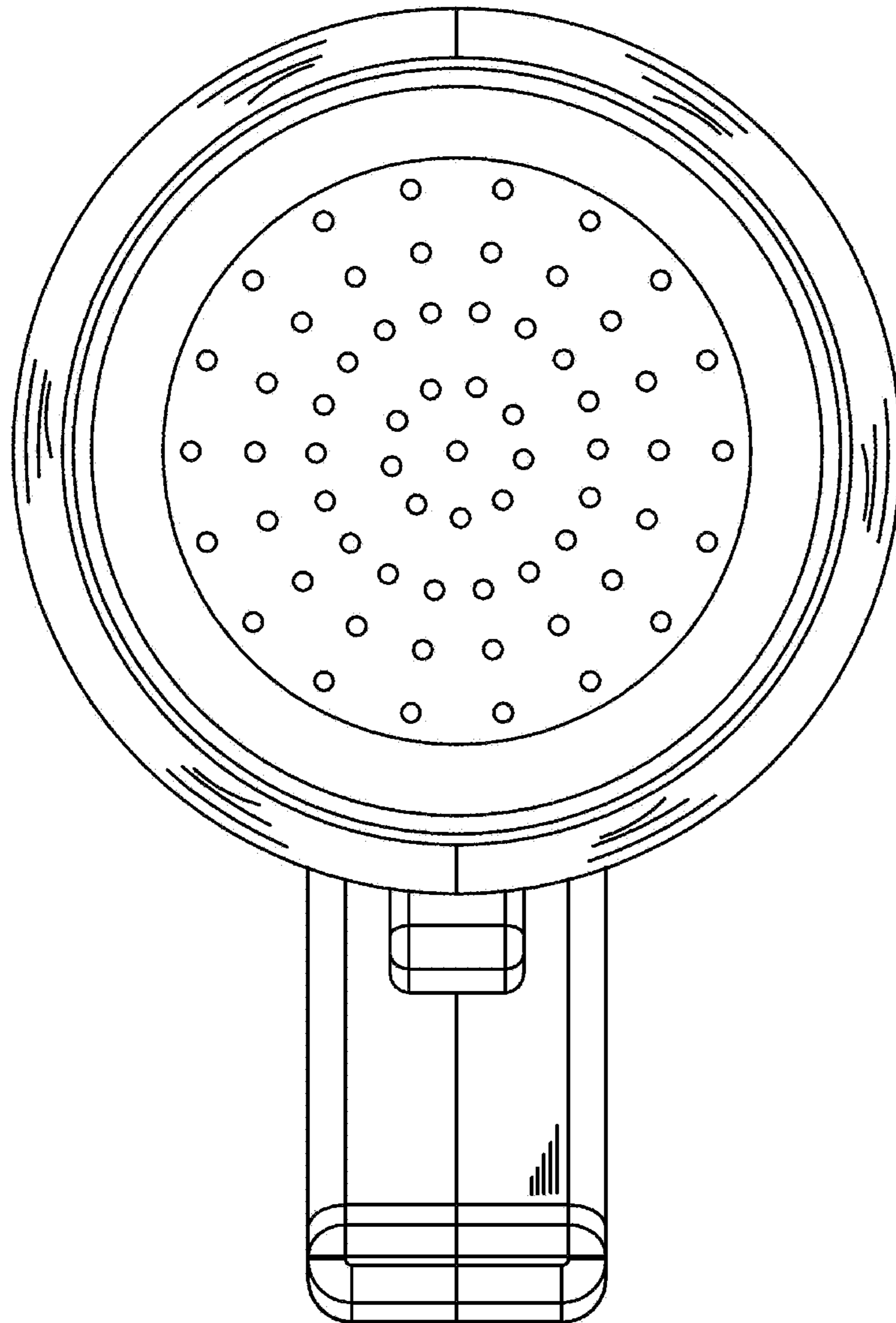


FIG. 1

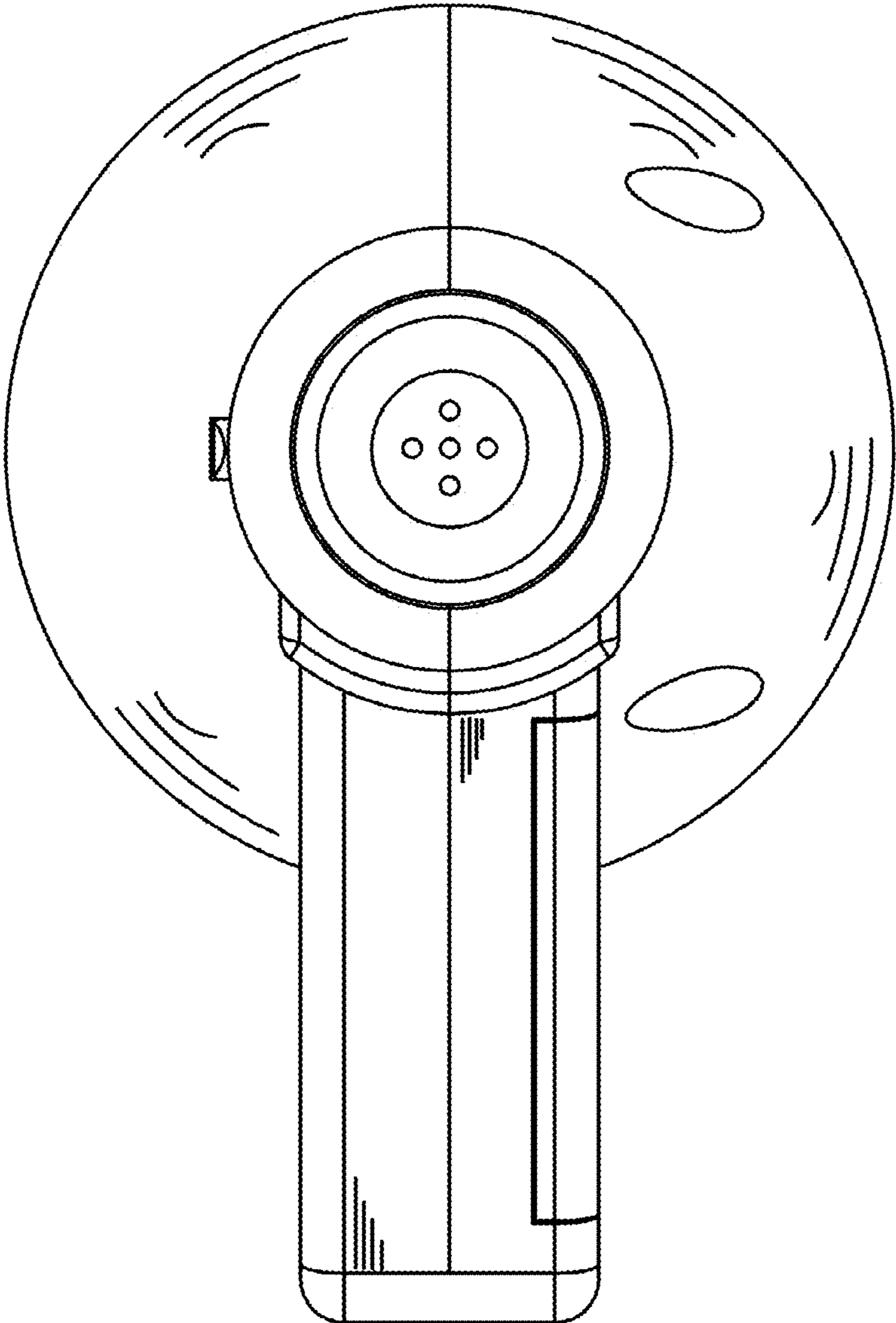


FIG. 2

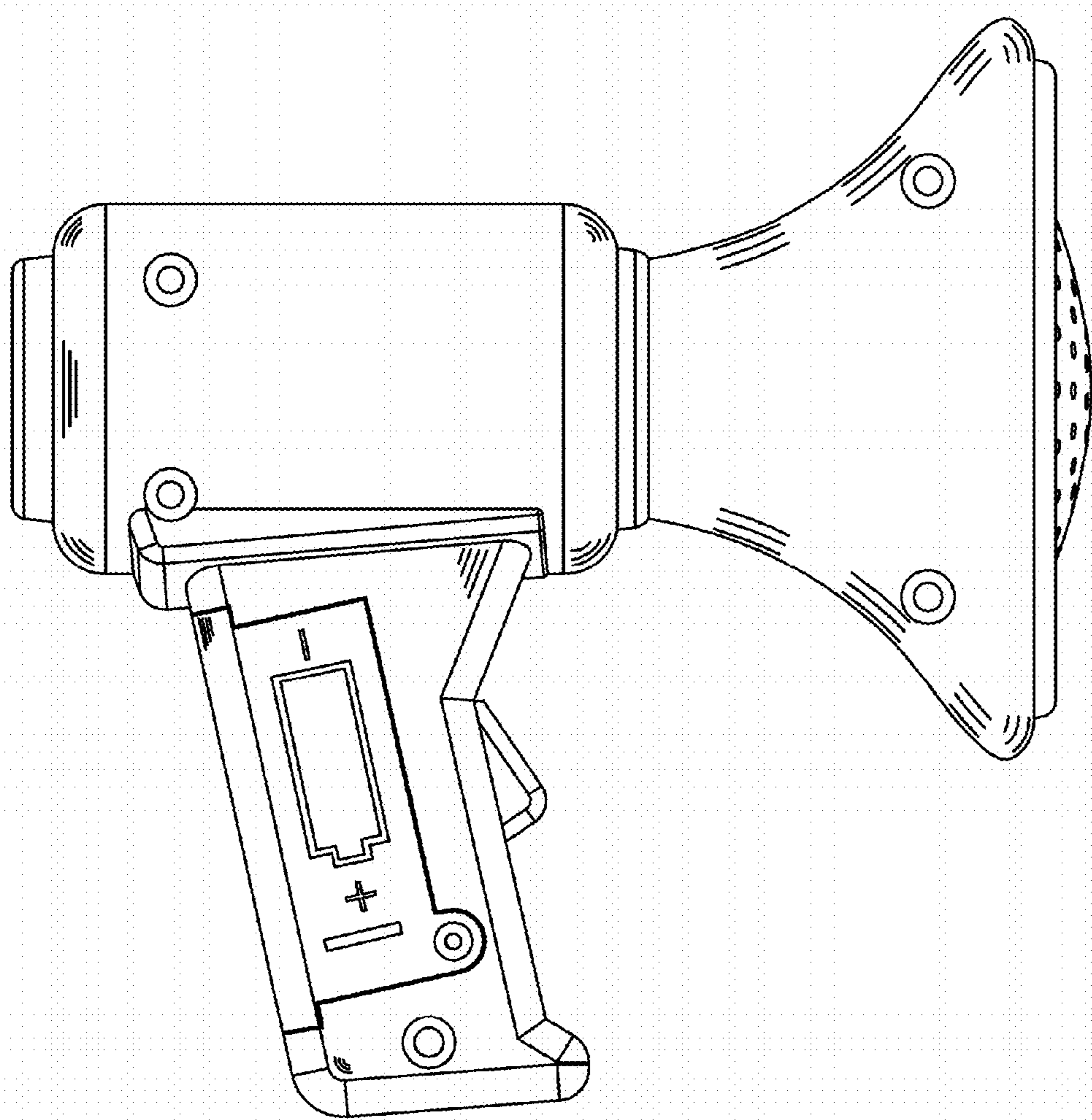


FIG. 3

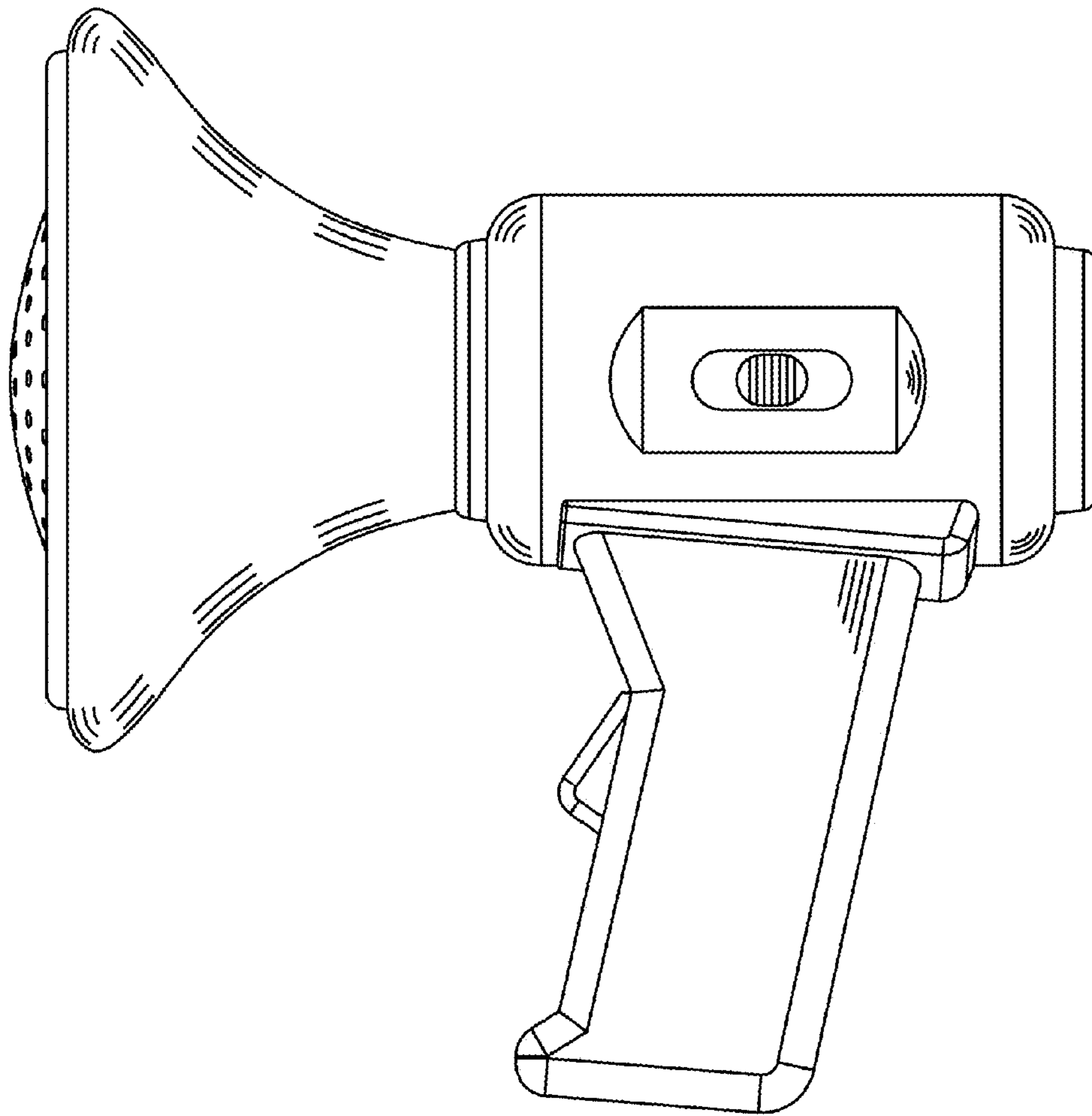


FIG. 4

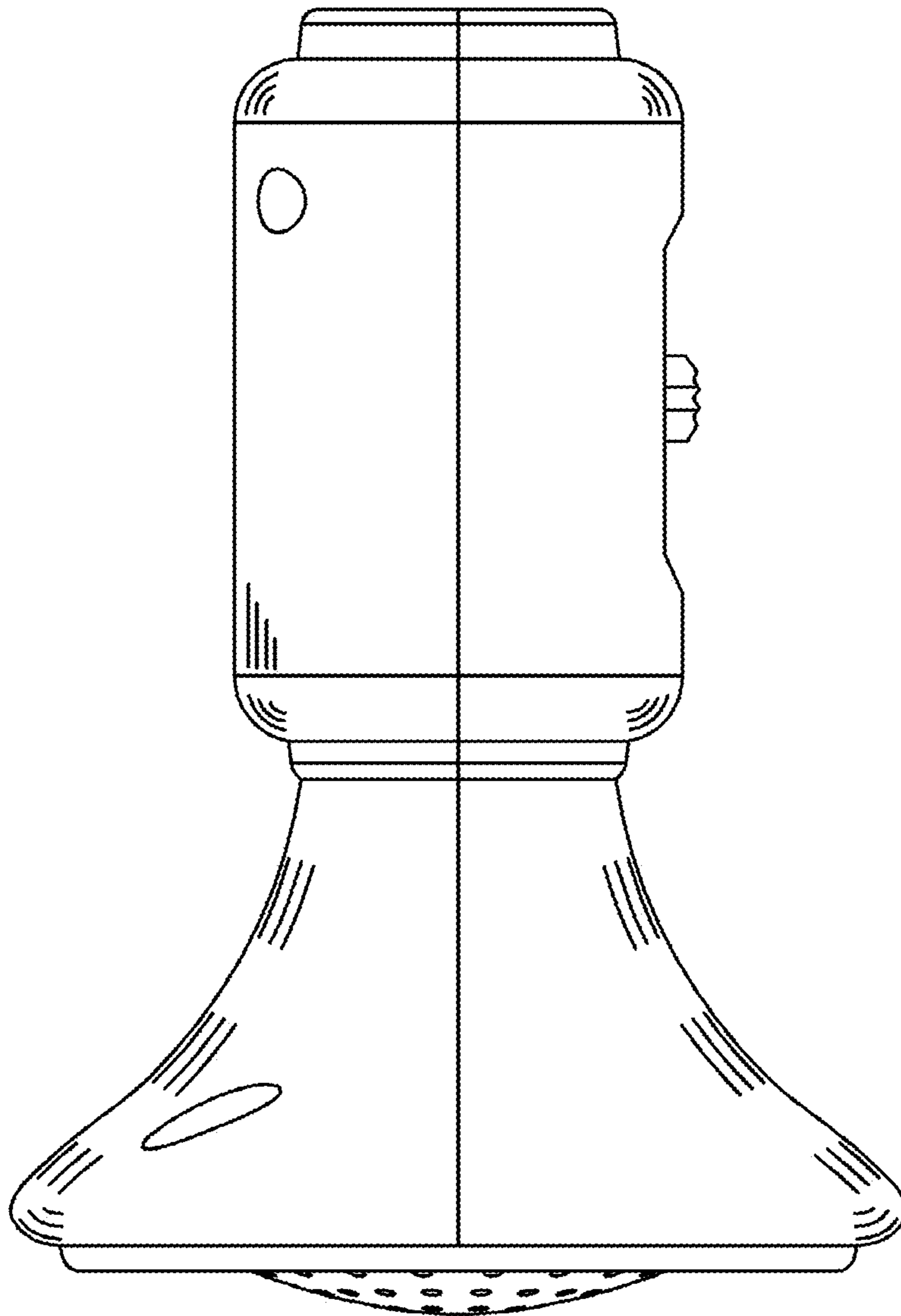


FIG. 5

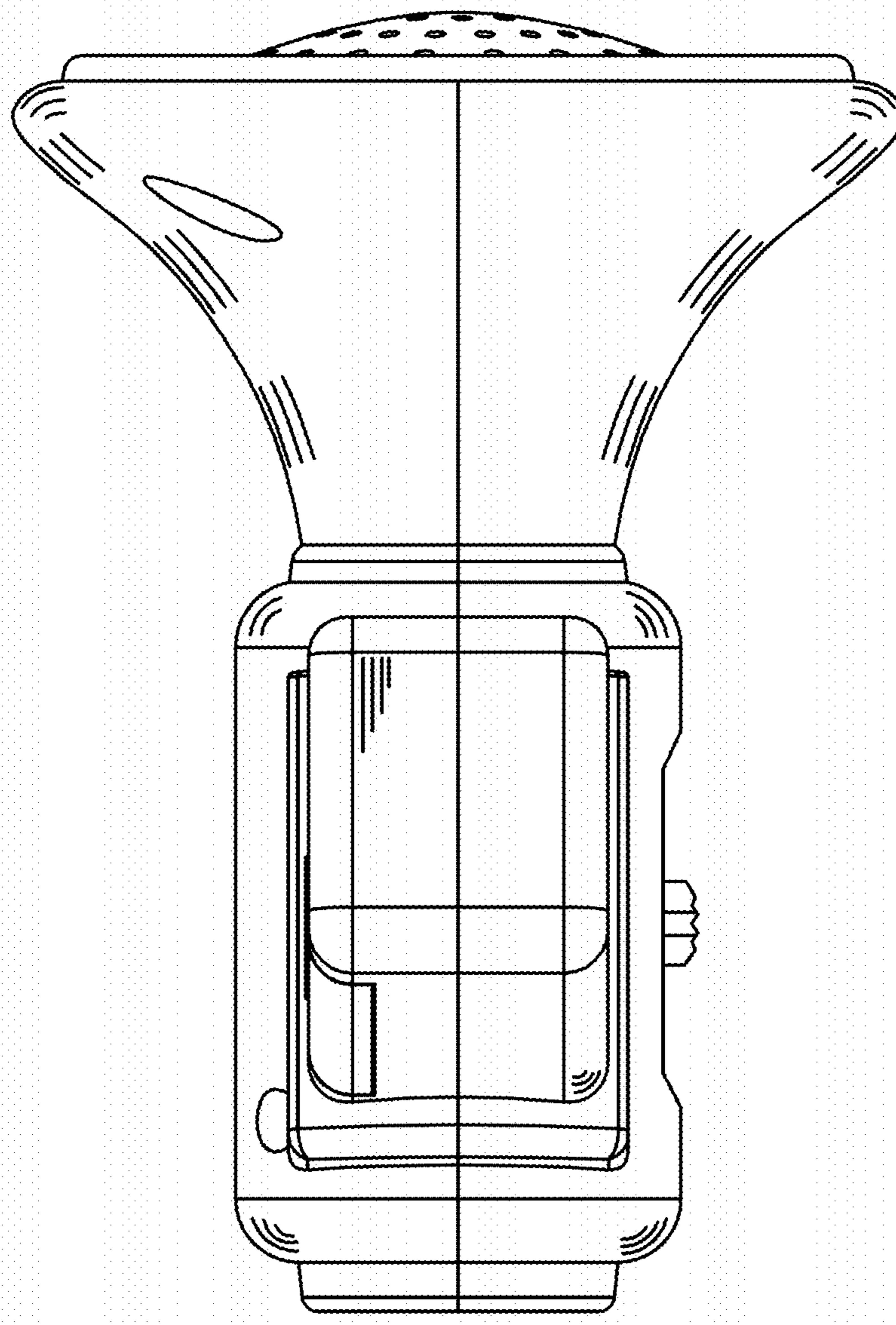


FIG. 6



FIG. 7