



US00D709477S

(12) **United States Design Patent**
Hirota et al.

(10) **Patent No.:** **US D709,477 S**

(45) **Date of Patent:** **** Jul. 22, 2014**

(54) **PORTABLE TERMINAL**

(71) Applicant: **Kyocera Corporation**, Kyoto (JP)

(72) Inventors: **Naoki Hirota**, Kawasaki (JP); **Eiji Goto**, Osaka (JP)

(73) Assignee: **Kyocera Corporation**, Kyoto (JP)

(**) Term: **14 Years**

(21) Appl. No.: **29/467,168**

(22) Filed: **Sep. 16, 2013**

(30) **Foreign Application Priority Data**

Jul. 8, 2013 (JP) 2013-015489

(51) **LOC (10) Cl.** **14-03**

(52) **U.S. Cl.**
USPC **D14/138 AA; D14/138 AD**

(58) **Field of Classification Search**
USPC D14/138 G, 138 AD, 341, 346, 138 R,
D14/138 AA, 138 AB, 496, 203.1, 203.3,
D14/203.4, 203.7, 248, 218, 144;
455/575.1, 556.1, 556.2, 575.3, 575.4;
D21/517; 379/433.01, 433.04; D10/65,
D10/78, 104.1, 70; D13/168; 361/679.3,
361/679.56

See application file for complete search history.

(56) **References Cited**

U.S. PATENT DOCUMENTS

D543,191	S	*	5/2007	Kim et al.	D14/138 AA
D559,222	S	*	1/2008	Chen	D14/138 AA
D593,052	S	*	5/2009	Hung	D14/138 AA
D596,602	S	*	7/2009	Cha et al.	D14/138 AA
D601,531	S	*	10/2009	Lee et al.	D14/138 AA
D601,533	S	*	10/2009	Youn et al.	D14/138 AA
D601,534	S	*	10/2009	Youn et al.	D14/138 AA
D601,982	S	*	10/2009	Kim et al.	D14/138 AA

D610,113	S	*	2/2010	Park et al.	D14/138 AA
D610,116	S	*	2/2010	He	D14/138 AA
D610,119	S	*	2/2010	Kim et al.	D14/138 AA
D610,120	S	*	2/2010	Chung et al.	D14/138 AA
D610,122	S	*	2/2010	Kim et al.	D14/138 AA
D610,123	S	*	2/2010	Youn et al.	D14/138 AA
D614,599	S	*	4/2010	Kim et al.	D14/138 AA
D615,520	S	*	5/2010	Kim et al.	D14/138 AA
D617,292	S	*	6/2010	Chen et al.	D14/138 AA

(Continued)

OTHER PUBLICATIONS

Micromax X450 telephone, announced 2011, [online], [site visited Feb. 28, 2014]. Available from Internet, <URL: http://www.gsmarena.com/micromax_x450-4228.php>.*

(Continued)

Primary Examiner — Jeffrey D Asch

(74) *Attorney, Agent, or Firm* — DLA Piper LLP (US)

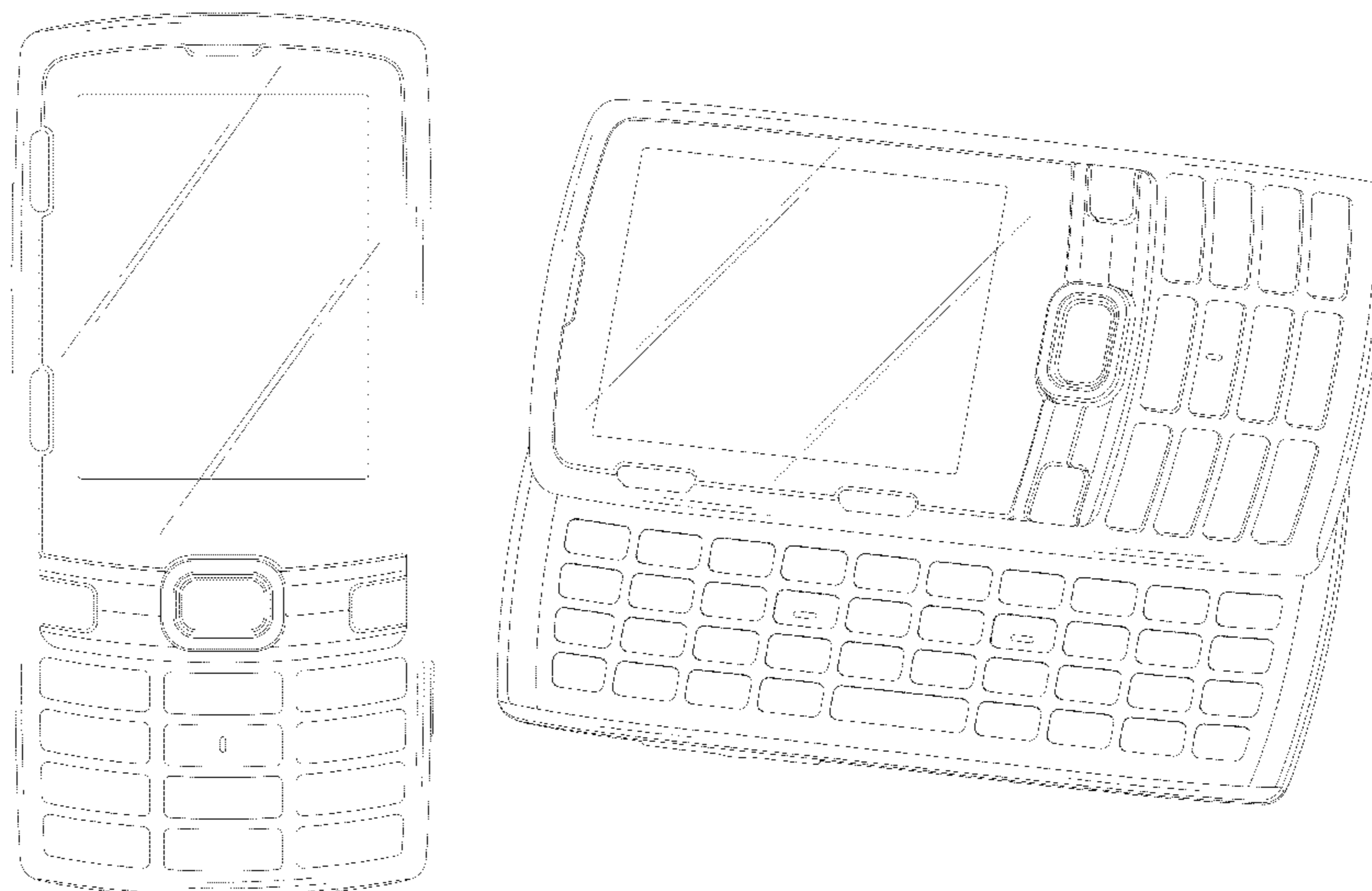
(57) **CLAIM**

The ornamental design for portable terminal, as shown and described.

DESCRIPTION

FIG. 1 is a front perspective view of a portable terminal showing our new design;
 FIG. 2 is a rear perspective view thereof;
 FIG. 3 is a front view thereof;
 FIG. 4 is a rear view thereof;
 FIG. 5 is a left side view thereof;
 FIG. 6 is a right side view thereof.
 FIG. 7 is a top plan view thereof;
 FIG. 8 is a bottom view thereof;
 FIG. 9 is a front perspective view in an opened state thereof;
 FIG. 10 is a rear perspective view in the opened state thereof;
 FIG. 11 is a front view in the opened state thereof; and,
 FIG. 12 is a rear view in the opened state thereof.

1 Claim, 10 Drawing Sheets



(56)

References Cited

U.S. PATENT DOCUMENTS

D617,751 S	*	6/2010	Lee et al.	D14/138 AA
D639,768 S	*	6/2011	Yang	D14/138 AA
D652,012 S	*	1/2012	Jung et al.	D14/138 AA
D676,009 S	*	2/2013	Hirota	D14/138 AD

OTHER PUBLICATIONS

Nokia 5730 XpressMusic telephone, announced Mar. 2009, [online], [site visited Feb. 28, 2014]. Available from Internet, <URL: http://www.gsmarena.com/nokia_5730_xpressmusic-2743.php>.*

Samsung Array M390 telephone, announced Aug. 2012, [online], [site visited Feb. 28, 2014]. Available from Internet, <URL: http://www.gsmarena.com/samsung_array_m390-4909.php>.*

Samsung D780 telephone, announced Jun. 2008, [online], [site visited Feb. 28, 2014]. Available from Internet, <URL: http://www.gsmarena.com/samsung_d780-2340.php>.*

Samsung T401G telephone, announced Oct. 2009, [online], [site visited Feb. 28, 2014]. Available from Internet, <URL: http://www.gsmarena.com/samsung_t401g-2975.php>.*

Samsung Gravity TXT T379 telephone, announced Aug. 2011, [online], [site visited Feb. 28, 2014]. Available from Internet, <URL: http://www.gsmarena.com/samsung_gravity_txt_t379-4123.php>.*

Samsung U485 Intensity III telephone, announced Jul. 2012, [online], [site visited Feb. 28, 2014]. Available from Internet, <URL: http://www.gsmarena.com/samsung_u485_intensity_iii-4865.php>.*

http://www.phonearena.com/news/Samsung-Array-for-Sprint-is-a-QWERTY-feature-phone-for-the-budget-conscious_id3305, posted Jun. 14, 2012.

http://www.phonearena.com/phones/Samsung-Intensity-III_id7158, posted Jun. 14, 2012.

http://www.phonearena.com/phones/LG-Cosmos-2_id5688, released Jul. 14, 2011.

http://www.phonearena.com/phones/LG-Banter_id3575, released Mar. 23, 2009.

http://www.phonearena.com/phones/LG-Rumor2_id3562, released Mar. 15, 2009.

http://www.phonearena.com/phones/LG-Saber_id5031, posted Mar. 18, 2011.

* cited by examiner

FIG. 1

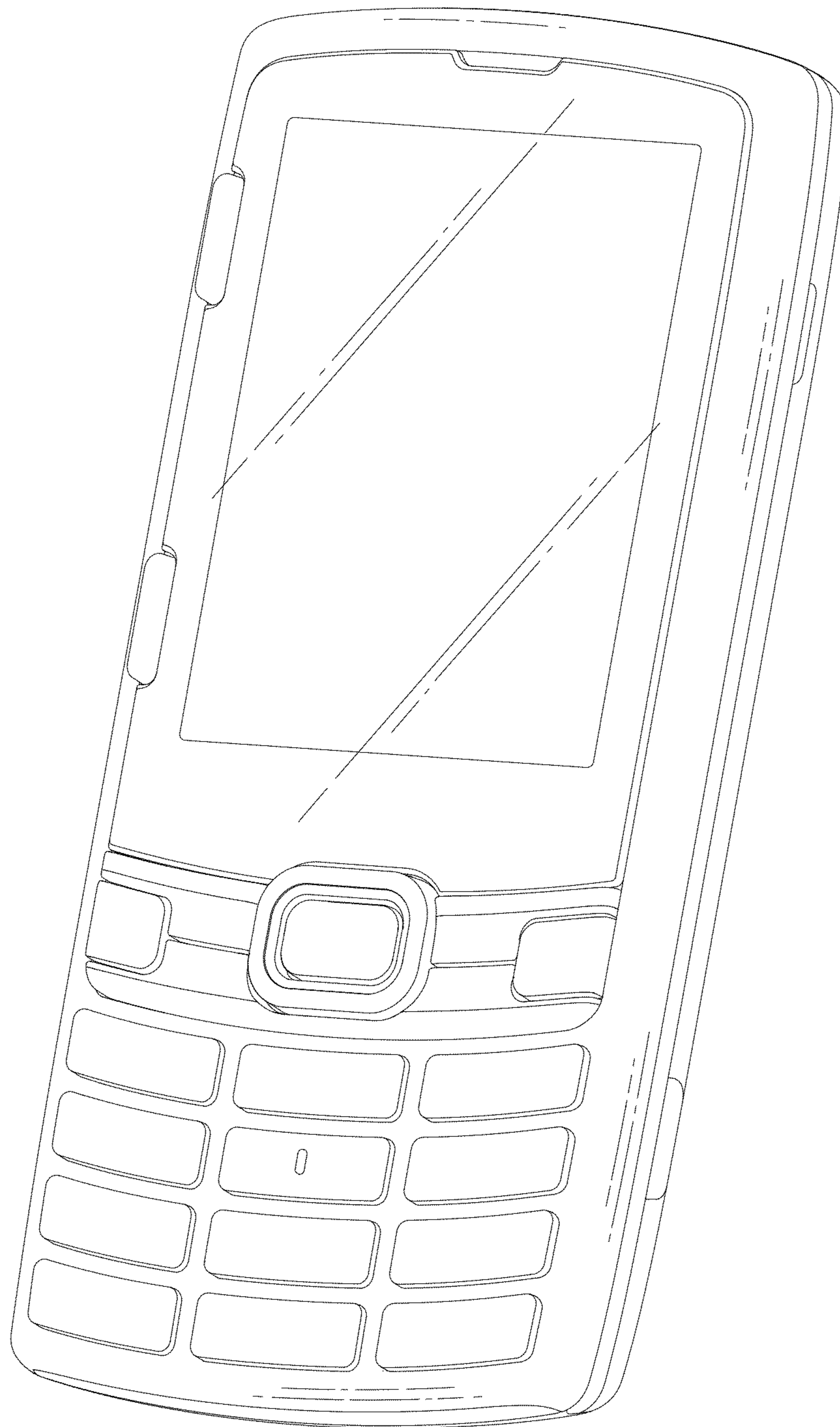


FIG. 2

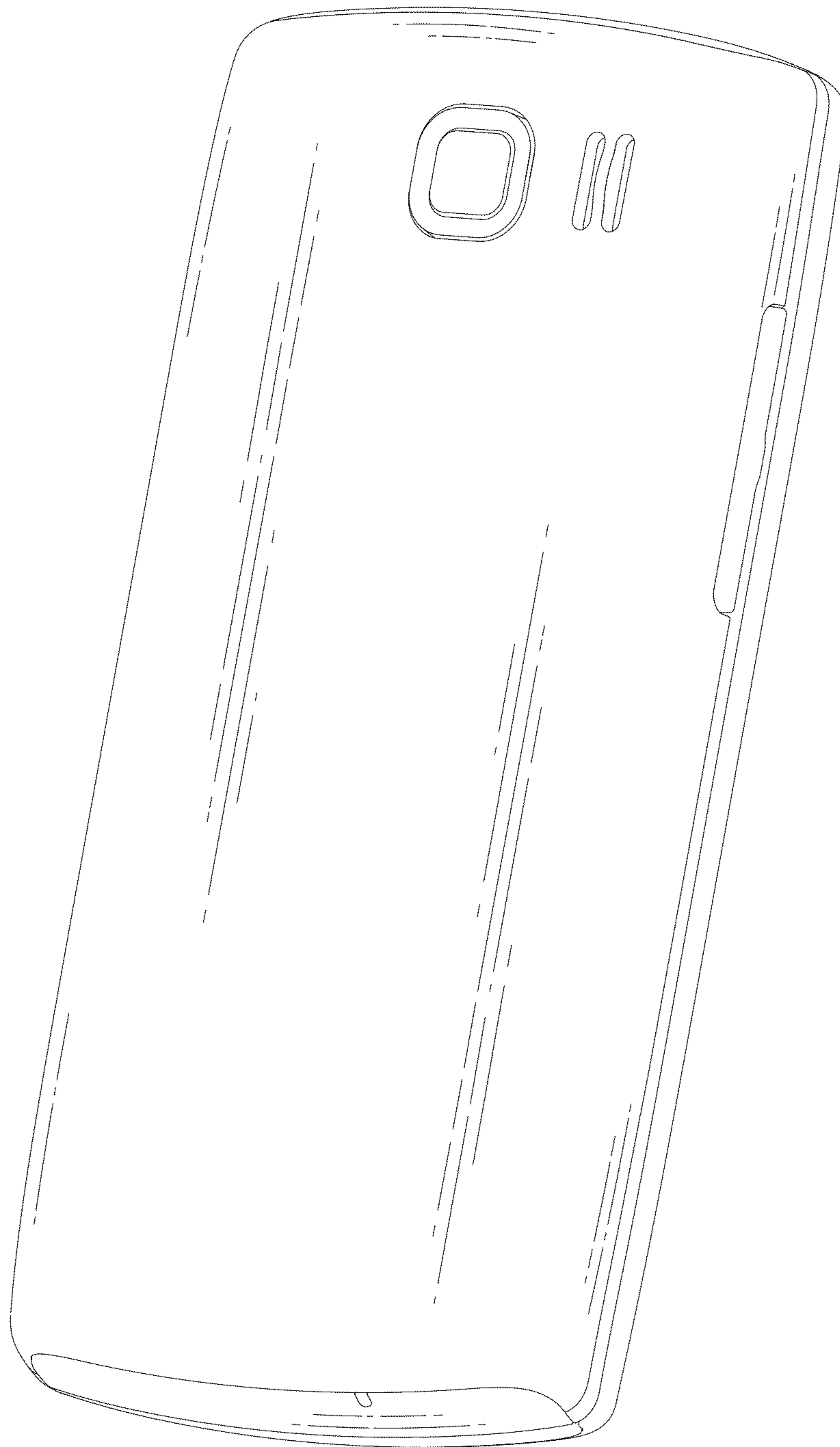


FIG. 3

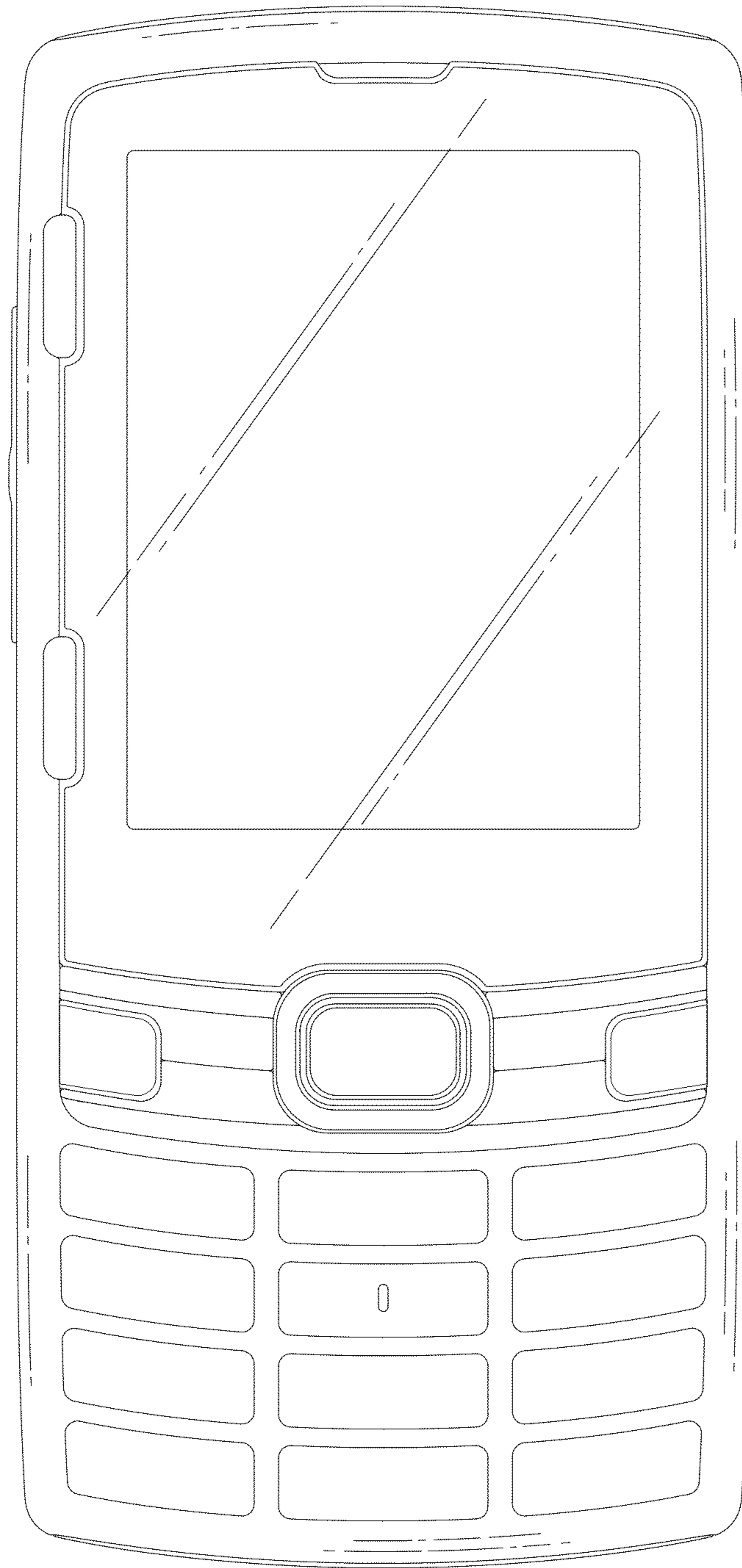


FIG. 4

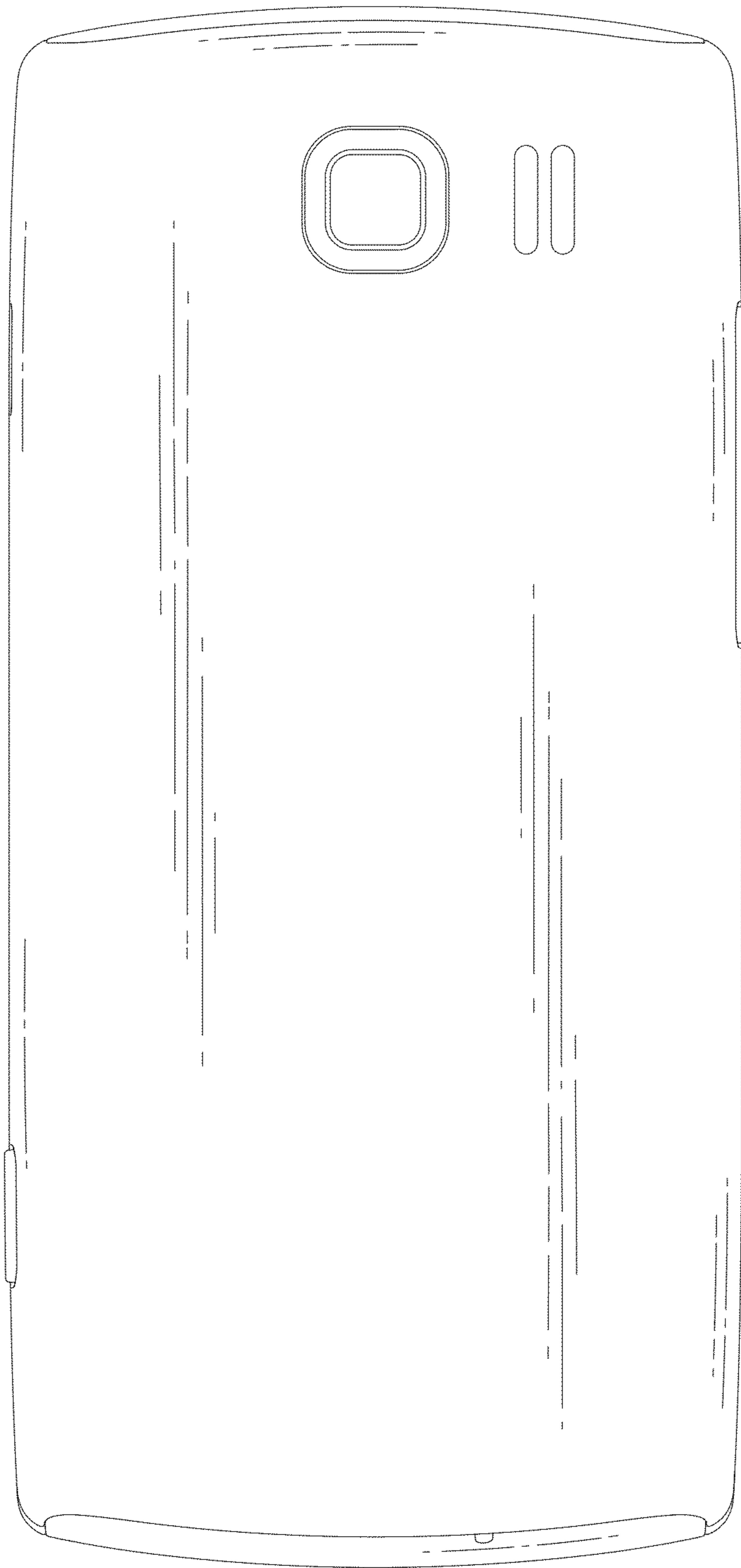


FIG. 5

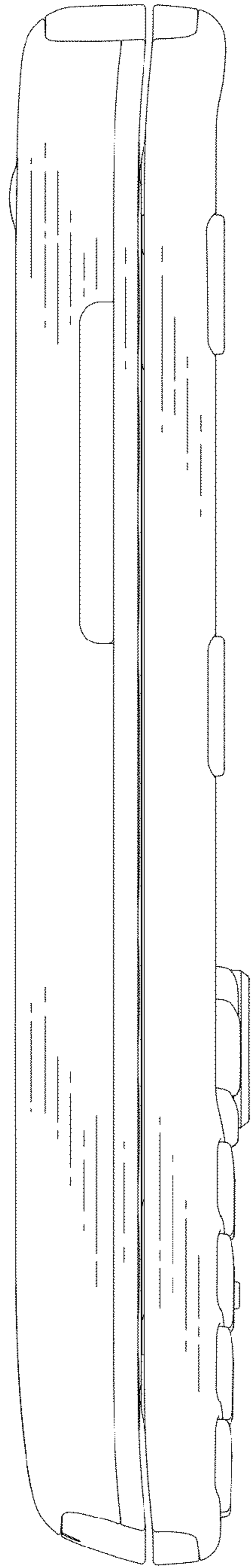


FIG. 6

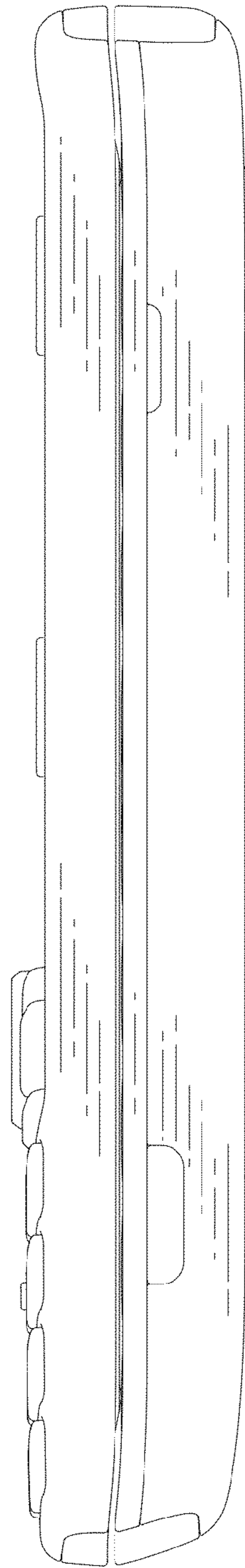


FIG. 7

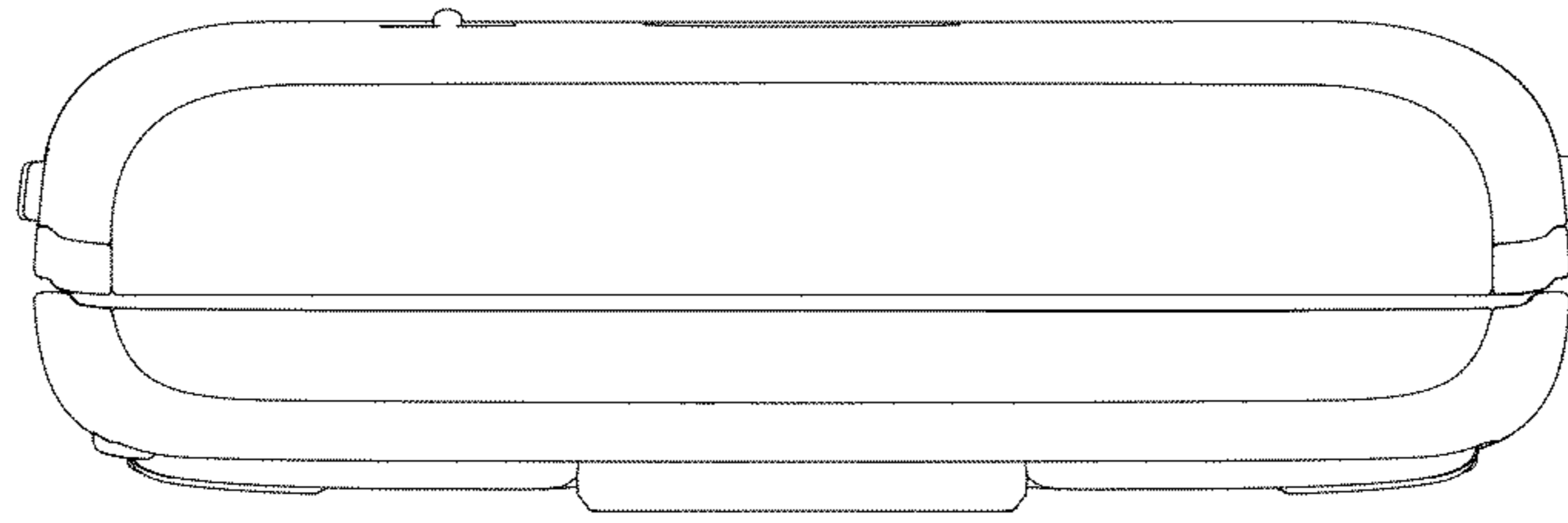


FIG. 8

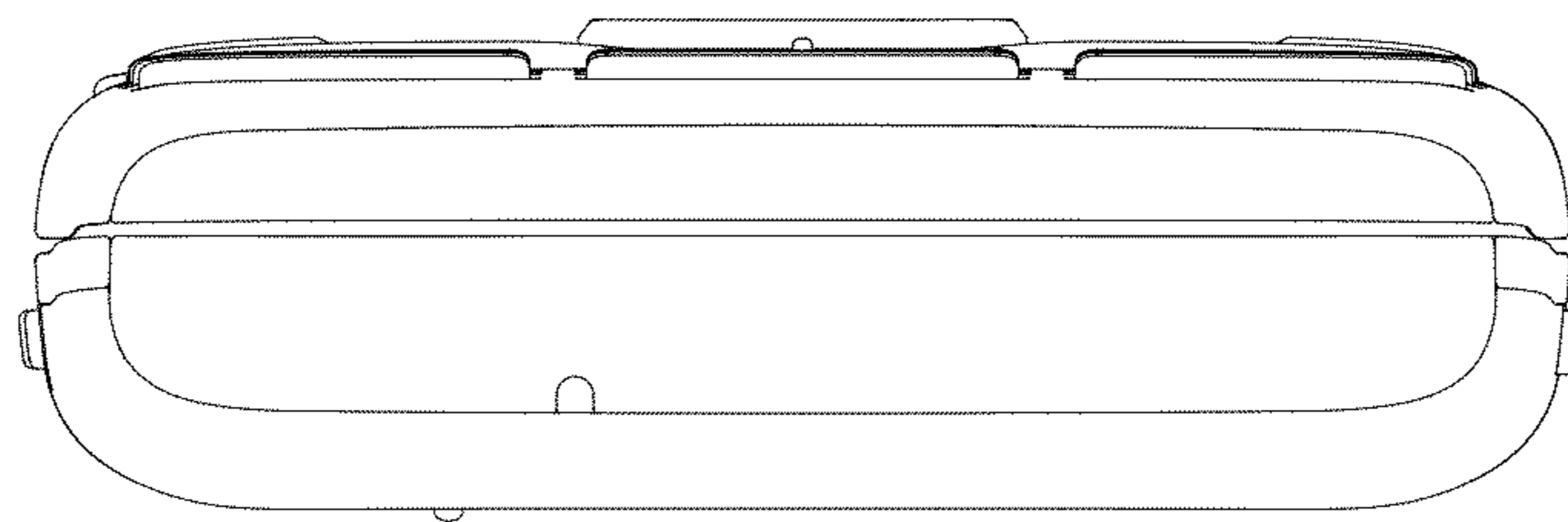


FIG. 9

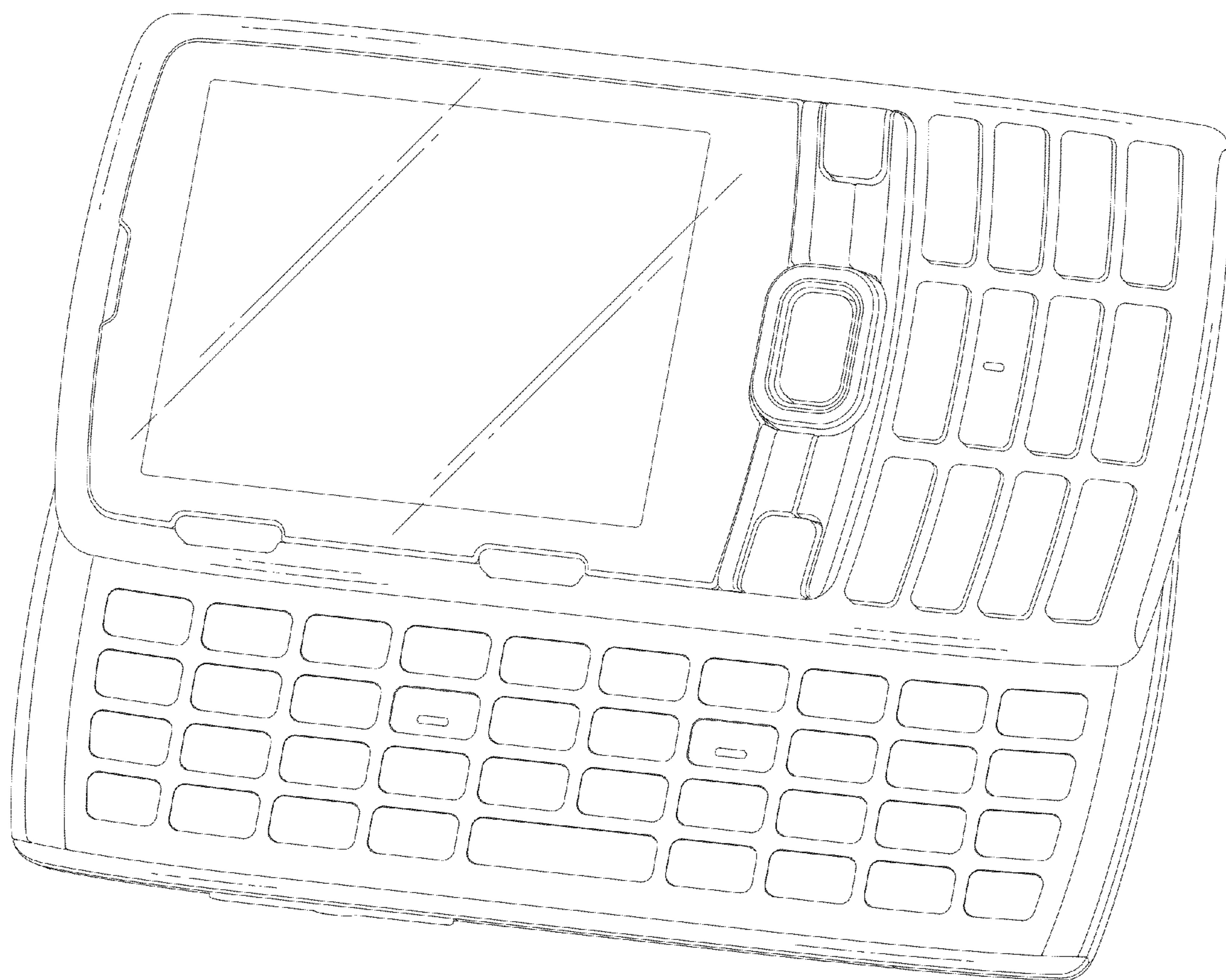


FIG. 10

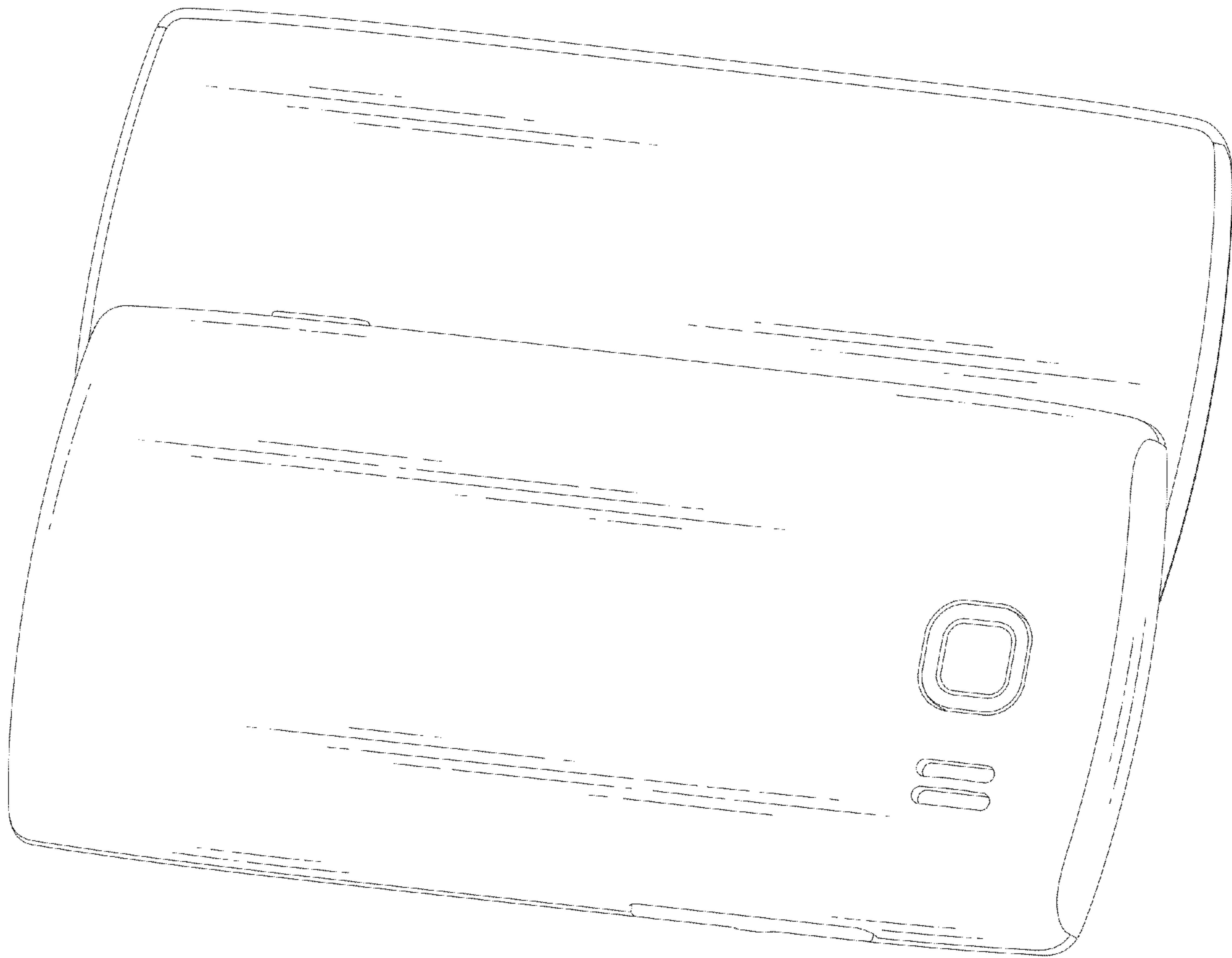


FIG. 11

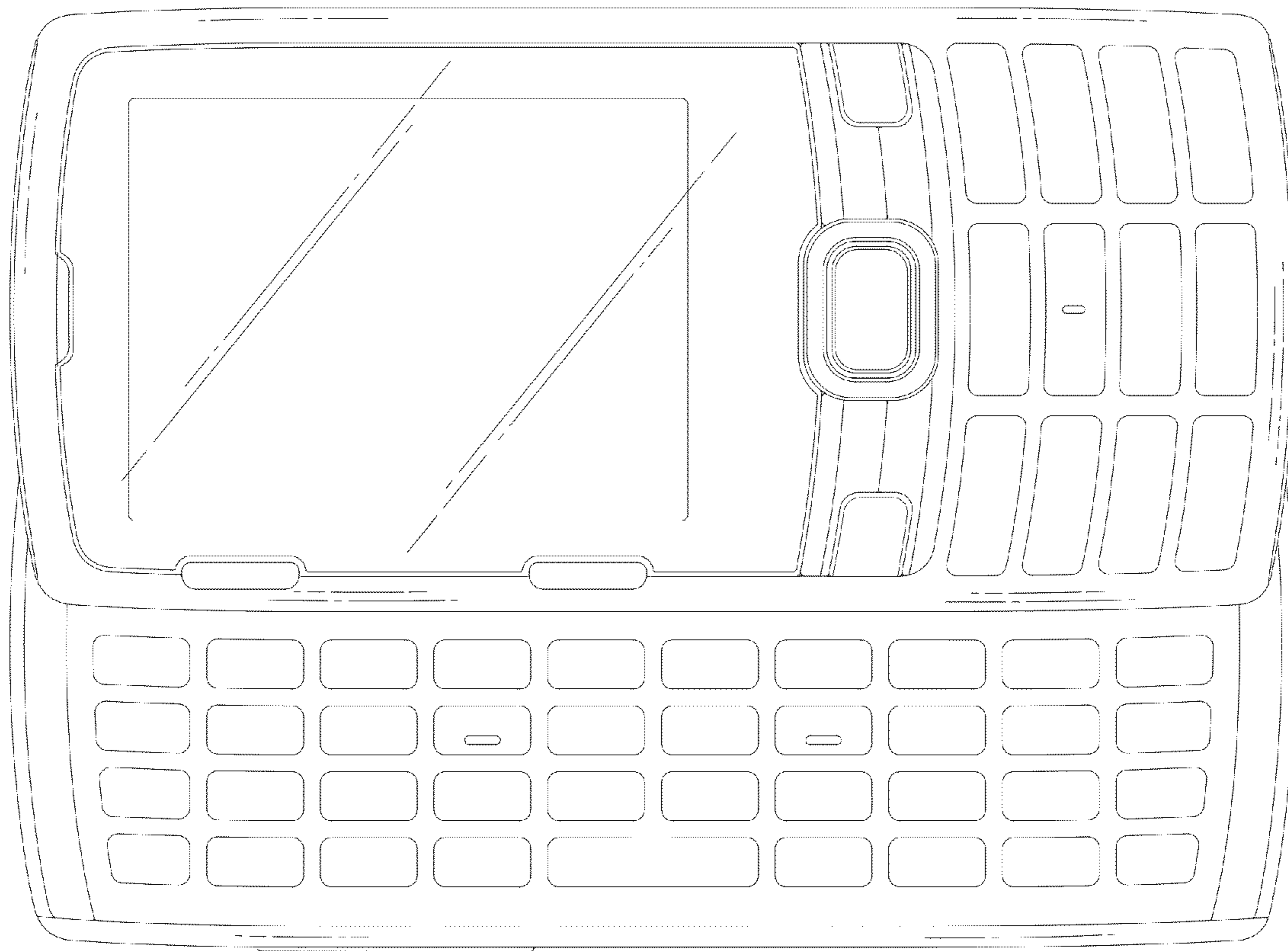


FIG. 12

