

US00D709476S

(12) **United States Design Patent**  
**Park et al.**

(10) **Patent No.:** **US D709,476 S**  
(45) **Date of Patent:** **\*\* Jul. 22, 2014**

(54) **MOBILE PHONE**

(71) Applicant: **LG Electronics Inc.**, Seoul (KR)

(72) Inventors: **Sang Min Park**, Seoul (KR); **Seung Hoon Ryu**, Seoul (KR); **Jong Hak Lee**, Seoul (KR)

(73) Assignee: **LG Electronics Inc.**, Seoul (KR)

(\*\*) Term: **14 Years**

(21) Appl. No.: **29/462,922**

(22) Filed: **Aug. 9, 2013**

(30) **Foreign Application Priority Data**

Mar. 29, 2013 (KR) ..... 30-2013-0016268

(51) **LOC (10) Cl.** ..... **14-03**

(52) **U.S. Cl.**

USPC ..... **D14/138 R**; D14/144; D10/32

(58) **Field of Classification Search**

USPC ..... D14/138 G, 138 AD, 341, 346, 138 R,  
D14/138 AA, 138 AB, 496, 203.1, 203.3,  
D14/203.4, 203.7, 248, 218, 144;  
455/575.1, 556.1, 556.2, 575.3, 575.4;  
D21/517, 333, 331; 379/433.01,  
379/433.04; D10/65, 78, 104.1, 31, 32, 38,  
D10/39; D13/168; 361/679.3, 679.56;  
D11/3, 4, 5, 12, 19, 25; 368/13, 10  
See application file for complete search history.

(56) **References Cited**

**U.S. PATENT DOCUMENTS**

D301,840 S \* 6/1989 Houlihan ..... D10/30  
D302,391 S \* 7/1989 Houlihan ..... D10/32  
D319,590 S \* 9/1991 Houlihan ..... D10/31  
5,239,521 A \* 8/1993 Blonder ..... 368/10

D358,553 S \* 5/1995 Murakami et al. .... D10/31  
D358,997 S \* 6/1995 Yamamoto ..... D10/31  
D365,550 S \* 12/1995 Houlihan ..... D14/344  
5,781,511 A \* 7/1998 Yasukawa et al. .... 368/11  
5,819,183 A \* 10/1998 Voroba et al. .... 455/570  
6,249,487 B1 \* 6/2001 Yano et al. .... 368/47  
D454,551 S \* 3/2002 Bonadei et al. .... D14/138 R  
6,459,890 B1 \* 10/2002 Kim ..... 455/351  
6,549,791 B1 \* 4/2003 Jeon et al. .... 455/572  
D494,557 S \* 8/2004 Lowinger ..... D14/138 R  
D496,590 S \* 9/2004 Chung et al. .... D10/31  
D501,836 S \* 2/2005 Lowinger ..... D14/138 R  
D515,945 S \* 2/2006 Goto et al. .... D10/32  
D535,205 S \* 1/2007 Frederick et al. .... D10/104.1

(Continued)

**OTHER PUBLICATIONS**

LG GD910 telephone, announced Jan. 2009, [online], [site visited Feb. 18, 2014]. Available from Internet, <URL: [http://www.gsmarena.com/lg\\_gd910-2644.php](http://www.gsmarena.com/lg_gd910-2644.php)>.\*

(Continued)

*Primary Examiner* — Jeffrey D Asch

(74) *Attorney, Agent, or Firm* — Birch, Stewart, Kolasch & Birch, LLP

(57) **CLAIM**

We claim the ornamental design for a mobile phone, as shown and described.

**DESCRIPTION**

FIG. 1 is a perspective view of a mobile phone showing the new design:

FIG. 2 is a front elevation view thereof;

FIG. 3 is a rear elevation view thereof;

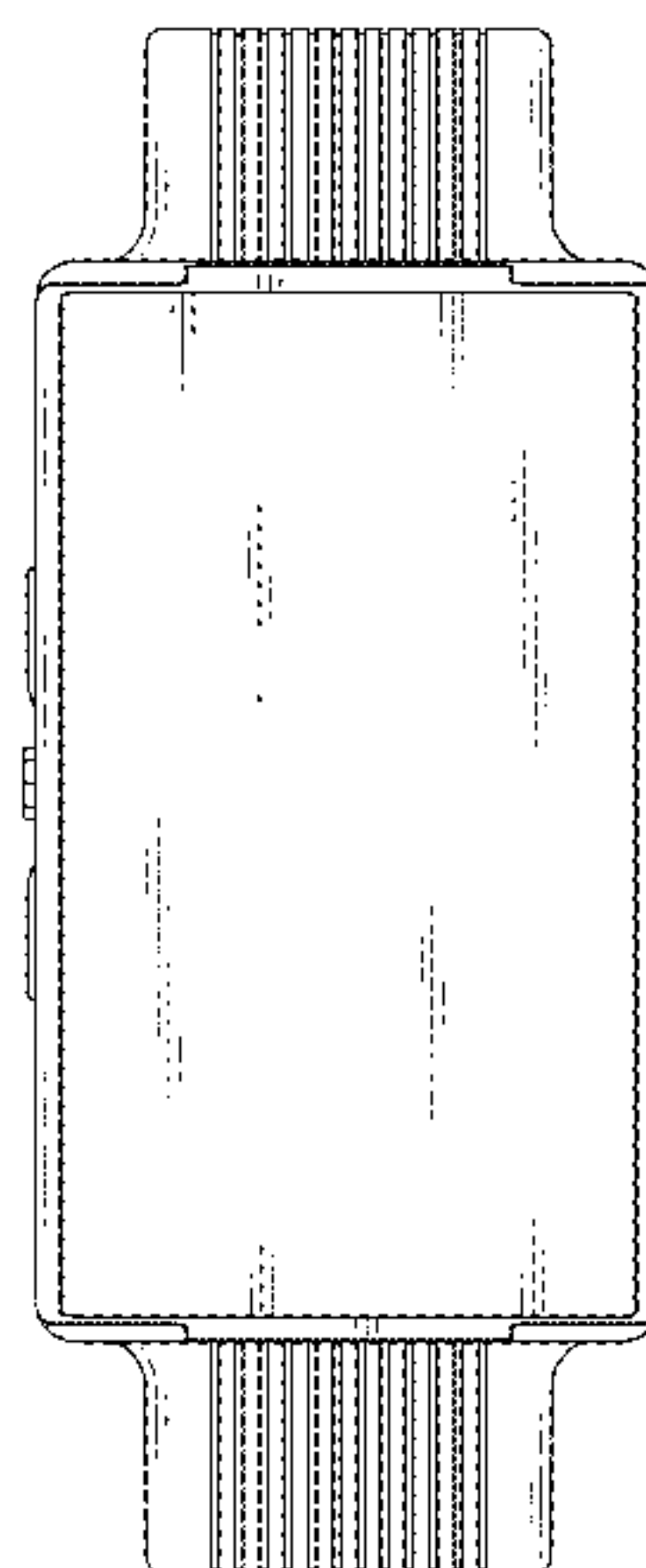
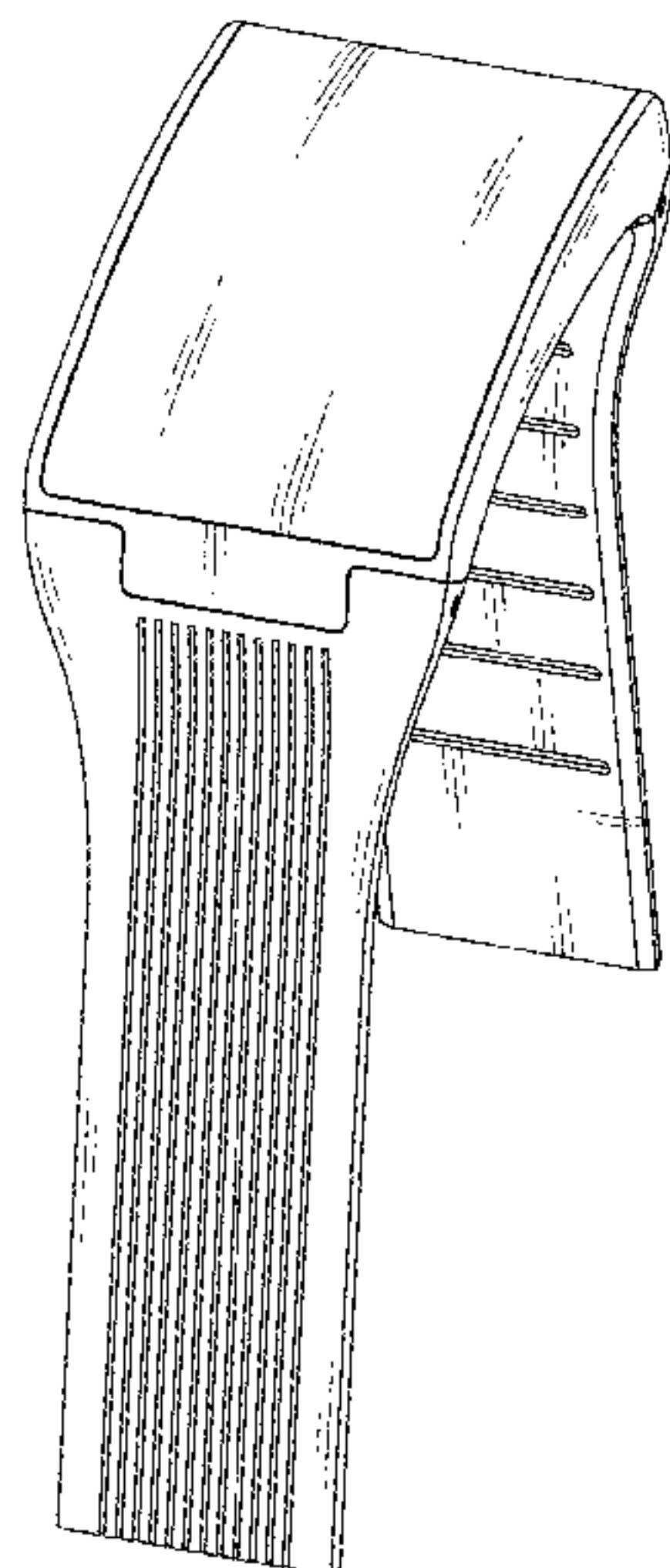
FIG. 4 is a left-side elevation view thereof;

FIG. 5 is a right-side elevation view thereof;

FIG. 6 is a top plan view thereof; and,

FIG. 7 is a bottom plan view thereof.

**1 Claim, 5 Drawing Sheets**



(56)

**References Cited**

U.S. PATENT DOCUMENTS

D571,249 S \* 6/2008 Frederick et al. .... D11/4  
D596,610 S \* 7/2009 Hou ..... D14/144  
8,380,258 B2 \* 2/2013 Kim et al. .... 455/575.1  
8,634,886 B1 \* 1/2014 Samuels et al. .... 455/575.6  
2002/0105859 A1 \* 8/2002 Davidson et al. .... 368/13  
2007/0270199 A1 \* 11/2007 Kim et al. .... 455/575.6  
2009/0143117 A1 \* 6/2009 Shin et al. .... 455/575.6  
2010/0112964 A1 \* 5/2010 Yi et al. .... 455/90.3  
2013/0273984 A1 \* 10/2013 Filippov ..... 455/575.6

OTHER PUBLICATIONS

Samsung S9110 telephone, announced Jul. 2009, [online], [site visited Feb. 18, 2014]. Available from Internet, <URL: [http://www.gsmarena.com/samsung\\_s9110-2885.php](http://www.gsmarena.com/samsung_s9110-2885.php)>.\*  
Samsung Gear—Your Smartphone on your Wrist, by Jalal Hameed, © 2011, [www.siliconbuzzard.com](http://www.siliconbuzzard.com), 4pp pp. 1-3 & 9 of 9, [online], [site visited Feb. 24, 2014]. Available from Internet, <URL: <http://www.siliconbuzzard.com/2013/11/samsung-gear-your-smartphone-on-your.html>>.\*

\* cited by examiner

FIG. 1

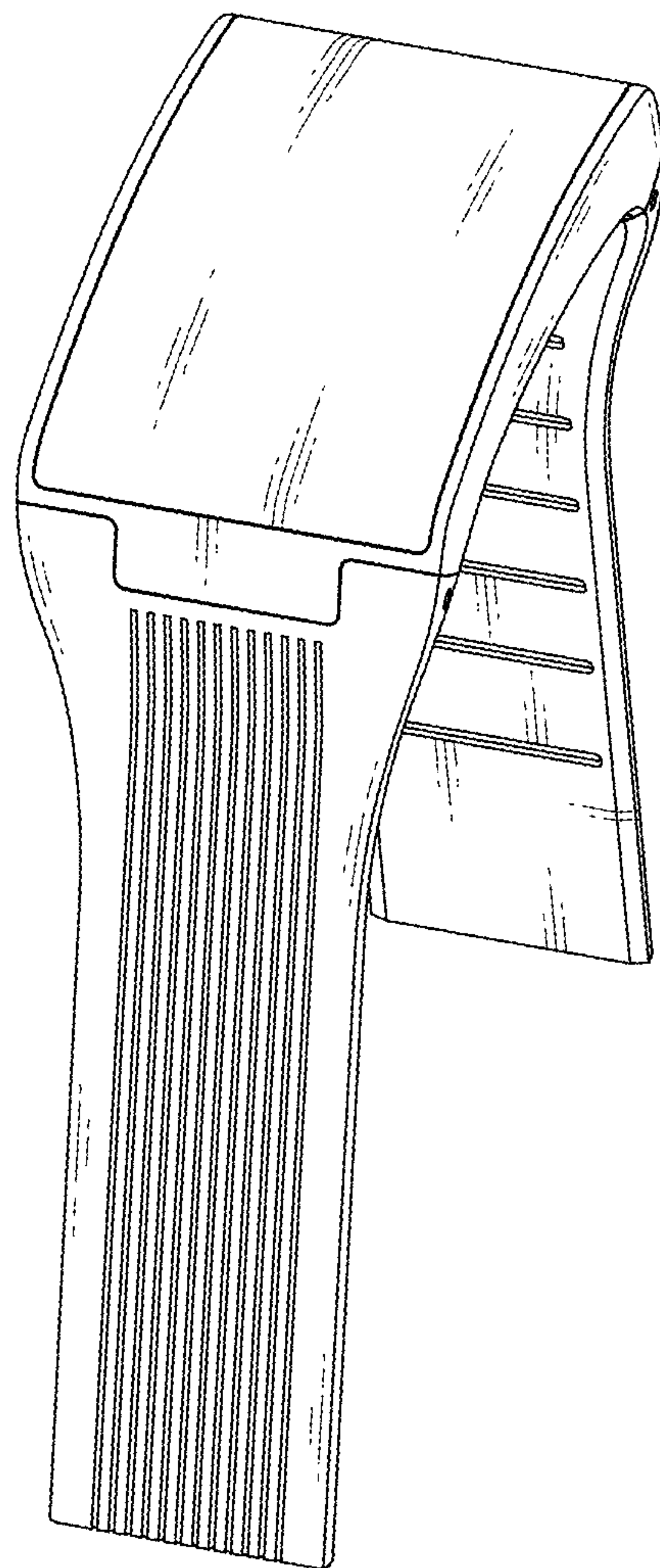


FIG. 2

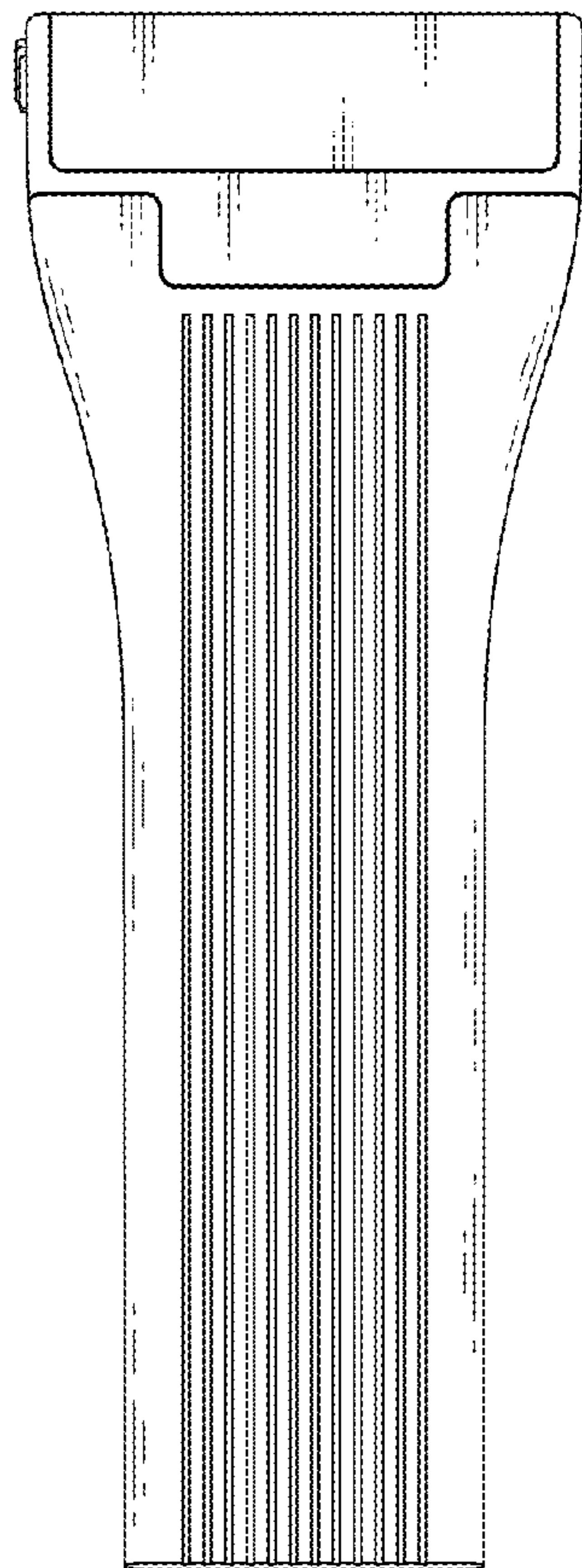


FIG. 3

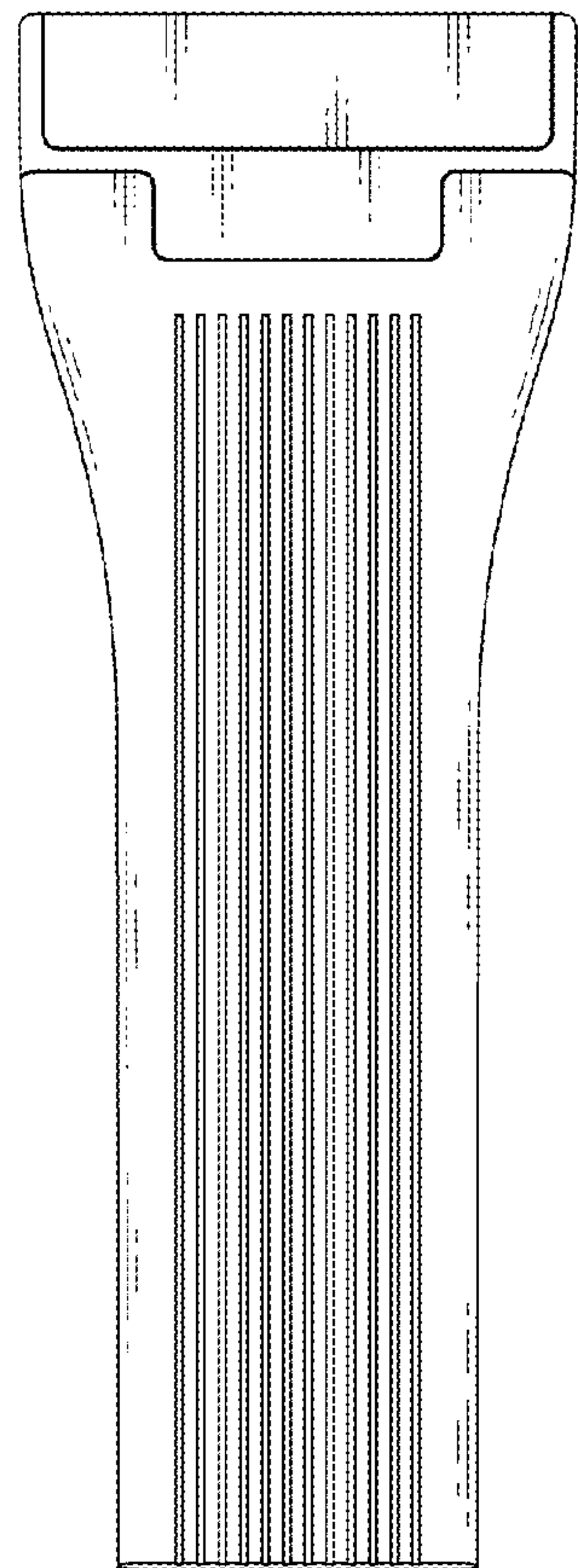


FIG. 4

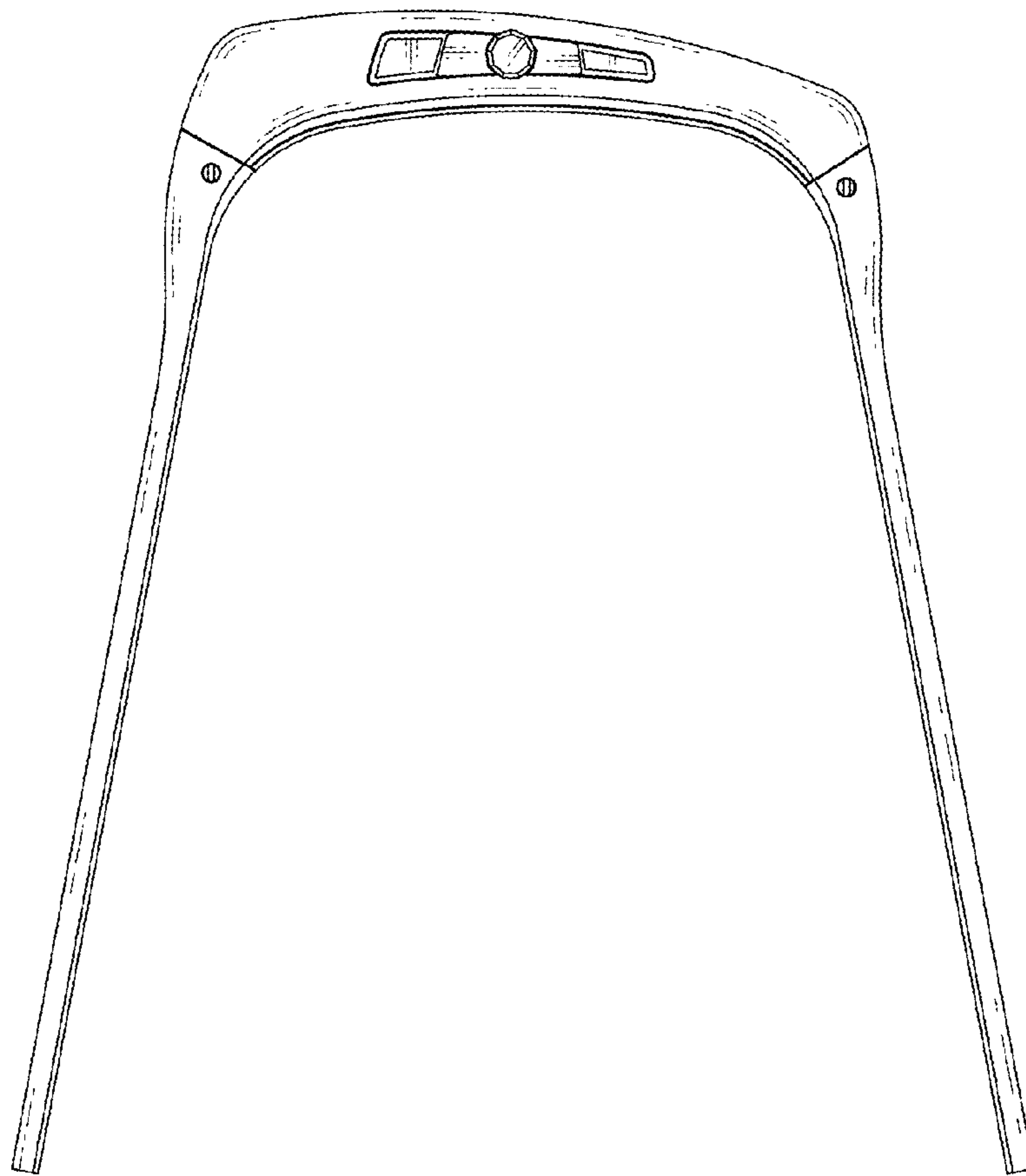


FIG. 5

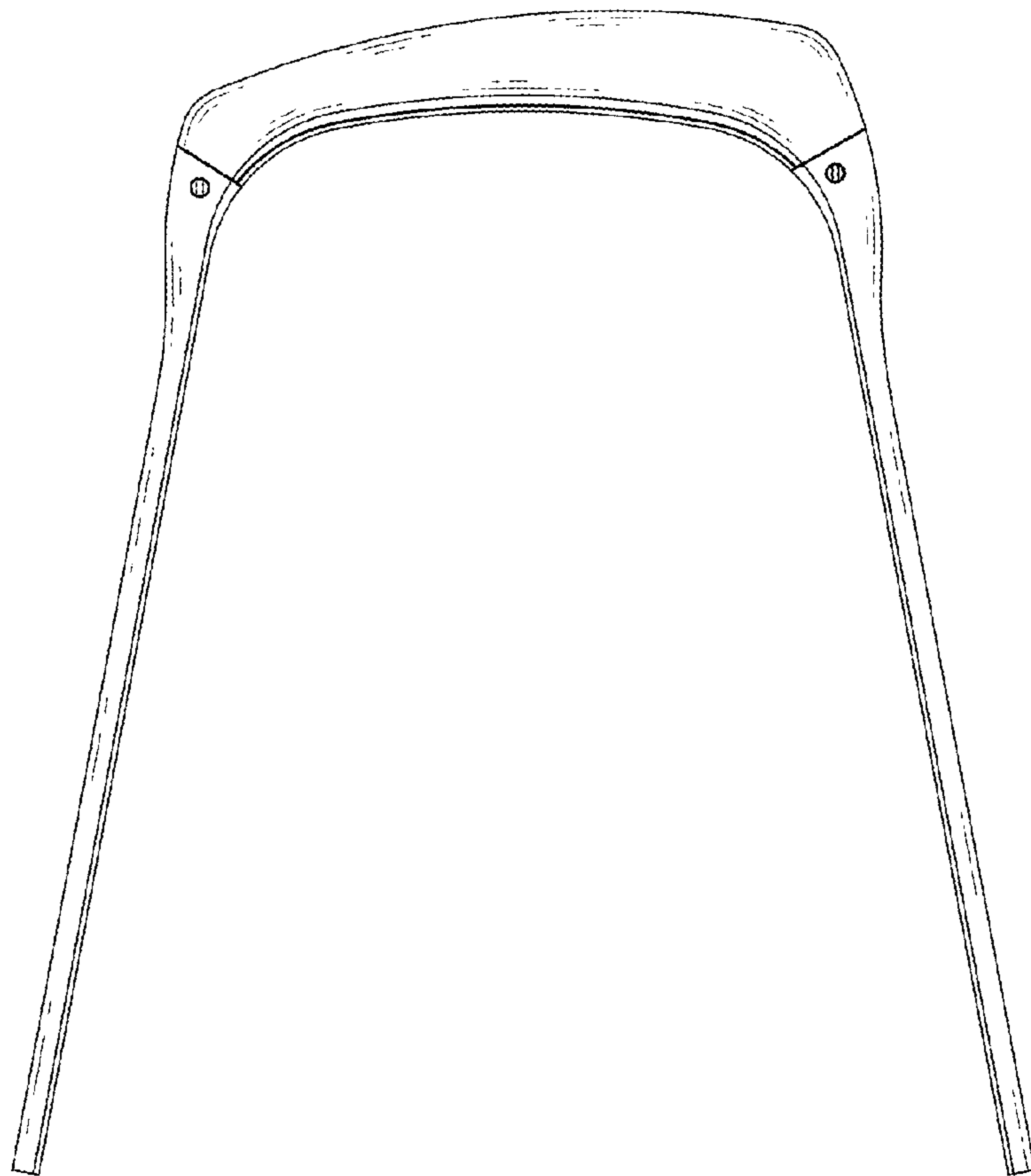




FIG. 6

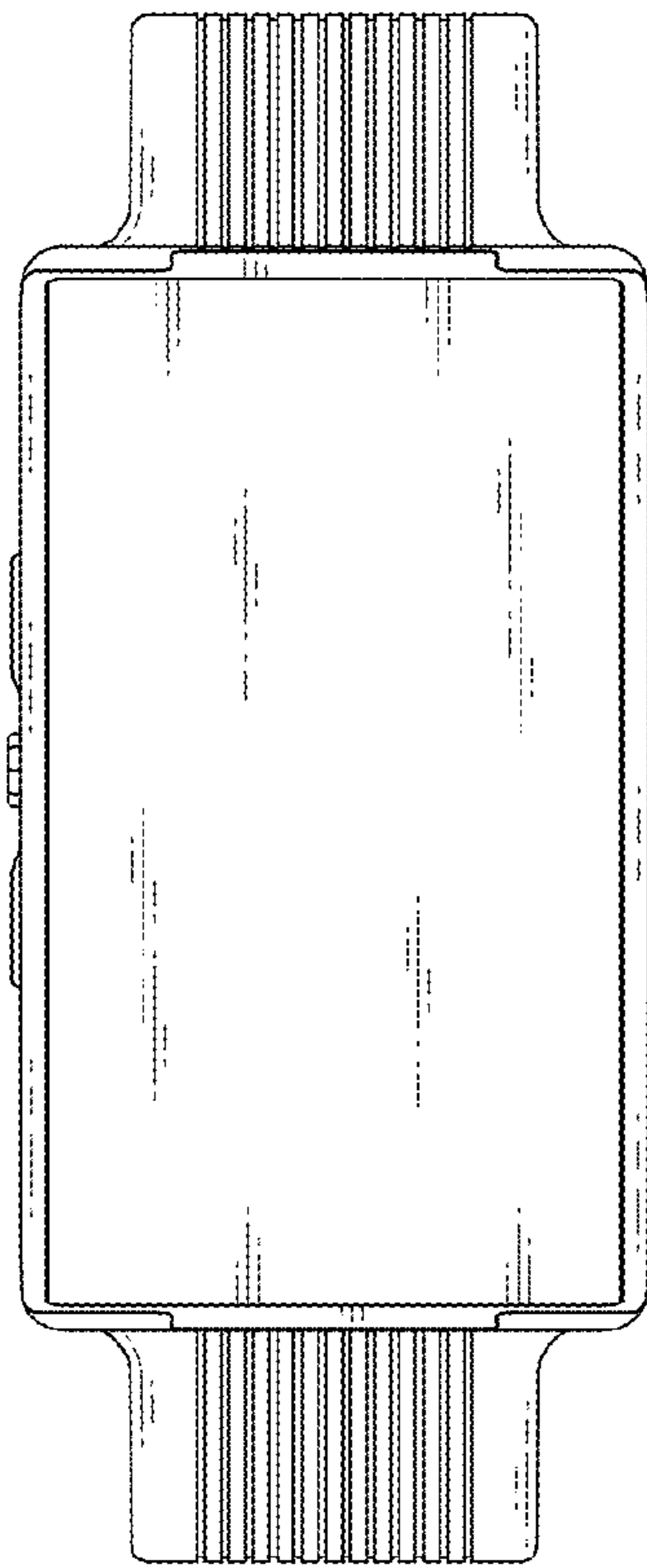


FIG. 7

