

US00D709471S

(12) **United States Design Patent**  
**Okabe et al.**

(10) **Patent No.:** **US D709,471 S**  
(45) **Date of Patent:** **\*\* Jul. 22, 2014**

(54) **PORTABLE TERMINAL**

(71) Applicant: **Kyocera Corporation**, Kyoto (JP)  
(72) Inventors: **Ryosuke Okabe**, Shijonawate (JP);  
**Atsushi Ishi**, Osaka (JP)  
(73) Assignee: **Kyocera Corporation**, Kyoto (JP)  
(\*\*) Term: **14 Years**

(21) Appl. No.: **29/436,150**

(22) Filed: **Nov. 1, 2012**

(30) **Foreign Application Priority Data**

Sep. 10, 2012 (JP) ..... 2012-021859

(51) **LOC (10) Cl.** ..... **14-03**

(52) **U.S. Cl.**  
USPC ..... **D14/138 AB**

(58) **Field of Classification Search**  
USPC ..... D14/138 AB, 138 R, 138 AD, 345, 341,  
D14/346, 203.1, 203.4, 203.3, 203.7, 143,  
D14/248, 218, 138 AA, 138 G, 147;  
455/575.1, 556.2, 575.3, 575.4;  
D21/517; 379/433.01, 433.04, 433.12,  
379/433.13; D10/65, 78, 104.1; D13/168;  
361/679.3, 679.56

See application file for complete search history.

(56) **References Cited**

**U.S. PATENT DOCUMENTS**

D496,016 S \* 9/2004 Hoo ..... D14/138 AB  
D537,059 S \* 2/2007 Hwang ..... D14/138 AB  
D545,796 S \* 7/2007 Kim et al. .... D14/138 AB  
D554,094 S \* 10/2007 Ribeiro et al. .... D14/138 AB  
D565,010 S \* 3/2008 Baik et al. .... D14/138 AB  
D571,772 S \* 6/2008 Kim et al. .... D14/138 AB  
D572,226 S \* 7/2008 Park et al. .... D14/138 AB  
D573,968 S \* 7/2008 Chen et al. .... D14/138 AB  
D576,600 S \* 9/2008 Kim et al. .... D14/138 AB

(Continued)

**OTHER PUBLICATIONS**

Motorola E1070 telephone, announced 4Q/2005, [online], [site visited Mar. 8, 2014]. Available from Internet, <URL: http://www.gsmarena.com/motorola\_e1070-1333.php>.\*

(Continued)

*Primary Examiner* — Jeffrey D Asch

(74) *Attorney, Agent, or Firm* — DLA Piper LLP (US)

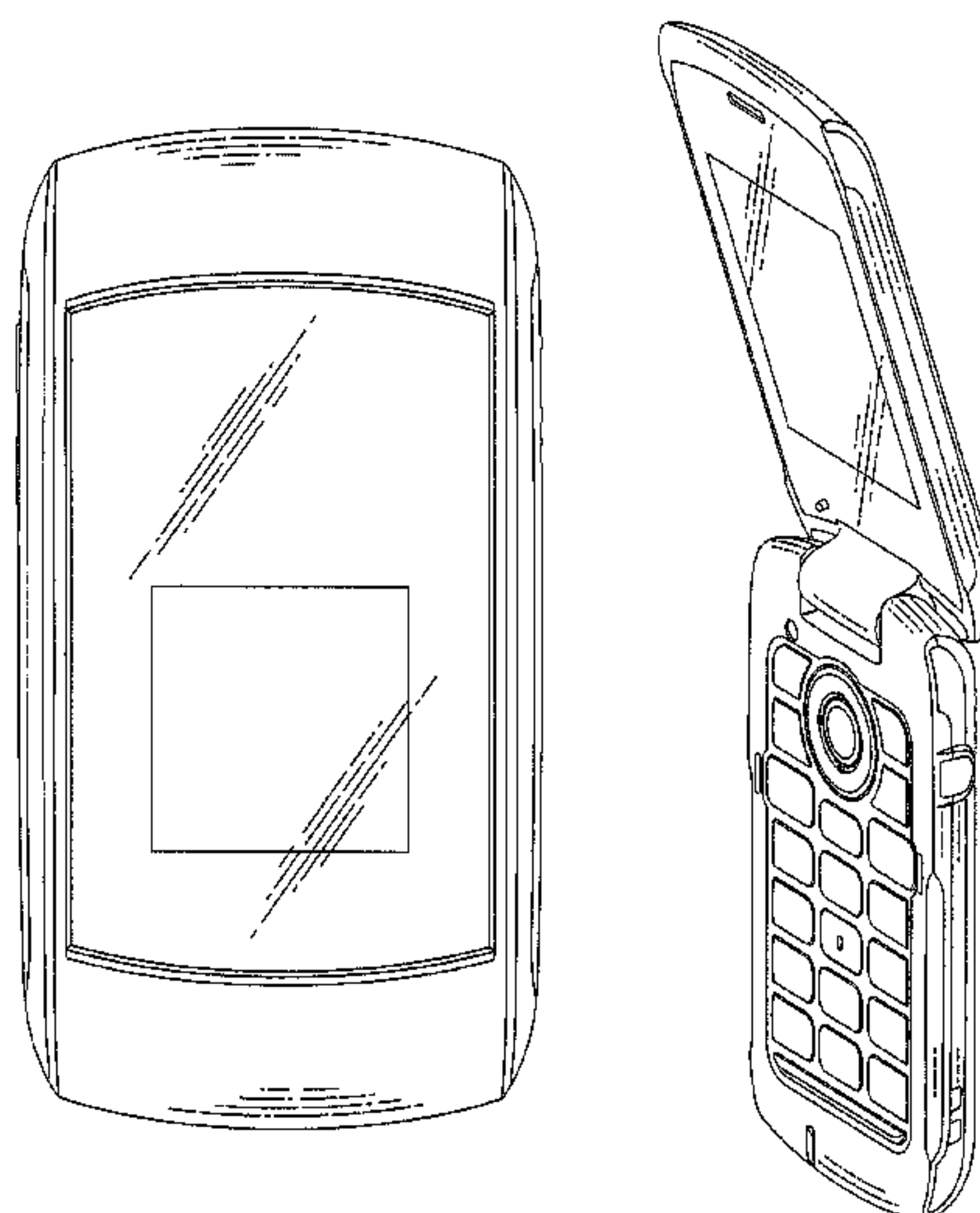
(57) **CLAIM**

The ornamental design for a portable terminal, as shown and described.

**DESCRIPTION**

FIG. 1 is a front perspective view of a first embodiment of a portable terminal showing our new design;  
FIG. 2 is a front view thereof;  
FIG. 3 is a rear view thereof;  
FIG. 4 is a left side view thereof;  
FIG. 5 is a right side view thereof;  
FIG. 6 is a top plan view thereof;  
FIG. 7 is a bottom view thereof;  
FIG. 8 is a front perspective view showing an opened state;  
FIG. 9 is a rear perspective view showing the opened state;  
FIG. 10 is a front perspective view of a second embodiment of a portable terminal showing our new design;  
FIG. 11 is a front view thereof;  
FIG. 12 is a rear view thereof;  
FIG. 13 is a left side view thereof;  
FIG. 14 is a right side view thereof;  
FIG. 15 is a top plan view thereof;  
FIG. 16 is a bottom view thereof;  
FIG. 17 is a front perspective view showing an opened state; and,  
FIG. 18 is a rear perspective view showing the opened state.

**1 Claim, 14 Drawing Sheets**



(56)

**References Cited**

U.S. PATENT DOCUMENTS

D579,895 S \* 11/2008 Yoshihara et al. .... D14/138 AB  
D583,794 S \* 12/2008 Lee et al. .... D14/138 AB  
D584,265 S \* 1/2009 Lee et al. .... D14/138 AB  
D585,867 S \* 2/2009 Lee ..... D14/138 AB  
D586,325 S \* 2/2009 Park et al. .... D14/138 AB  
D595,258 S \* 6/2009 Renwick et al. .... D14/138 AB  
D624,516 S \* 9/2010 Hachiya ..... D14/138 AB  
D635,539 S \* 4/2011 Suk et al. .... D14/138 AB

D640,217 S \* 6/2011 Suk et al. .... D14/138 AA  
D683,324 S \* 5/2013 Park et al. .... D14/138 AB  
8,489,141 B2 \* 7/2013 Tanaka et al. .... 455/550.1  
2007/0178949 A1 \* 8/2007 Sato et al. .... 455/575.3

OTHER PUBLICATIONS

Motorola V975 telephone, announced 3q/2004, [online], [site visited Mar. 8, 2014]. Available from Internet, <URL: [http://www.gsmarena.com/motorola\\_v975-856.php](http://www.gsmarena.com/motorola_v975-856.php)>.\*

\* cited by examiner

FIG. 1

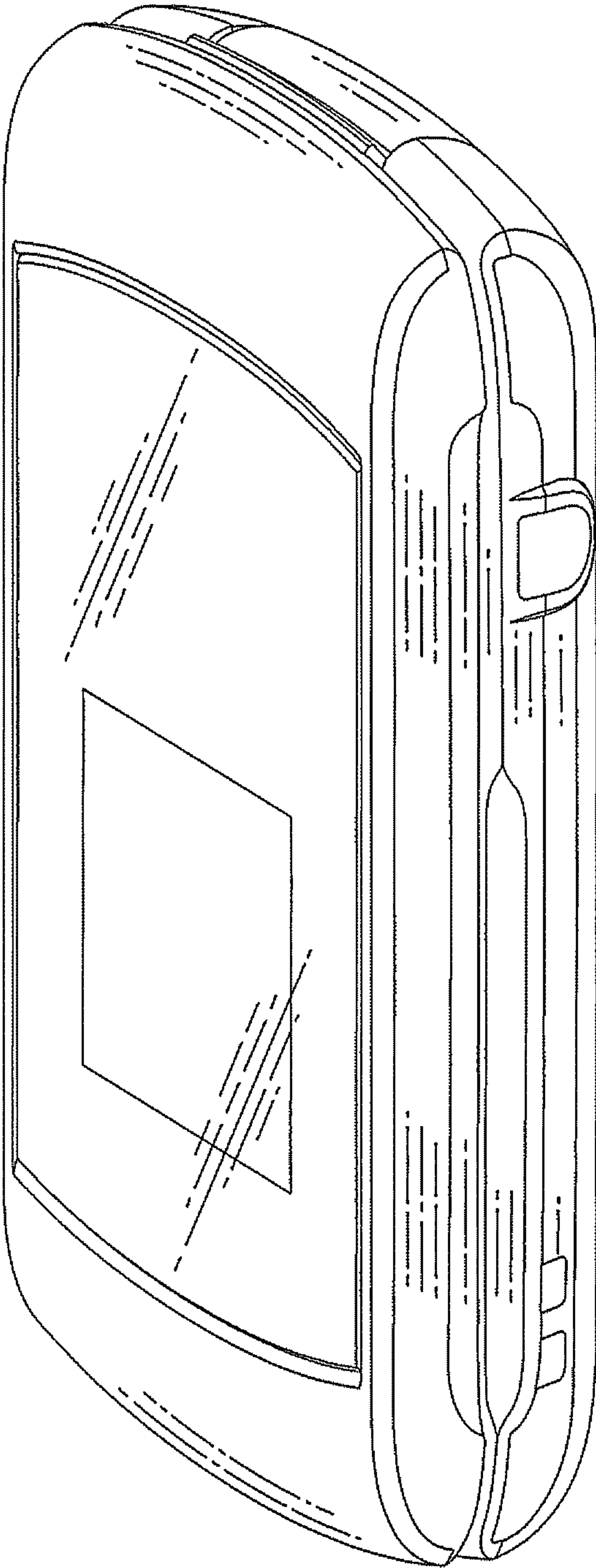


FIG.2

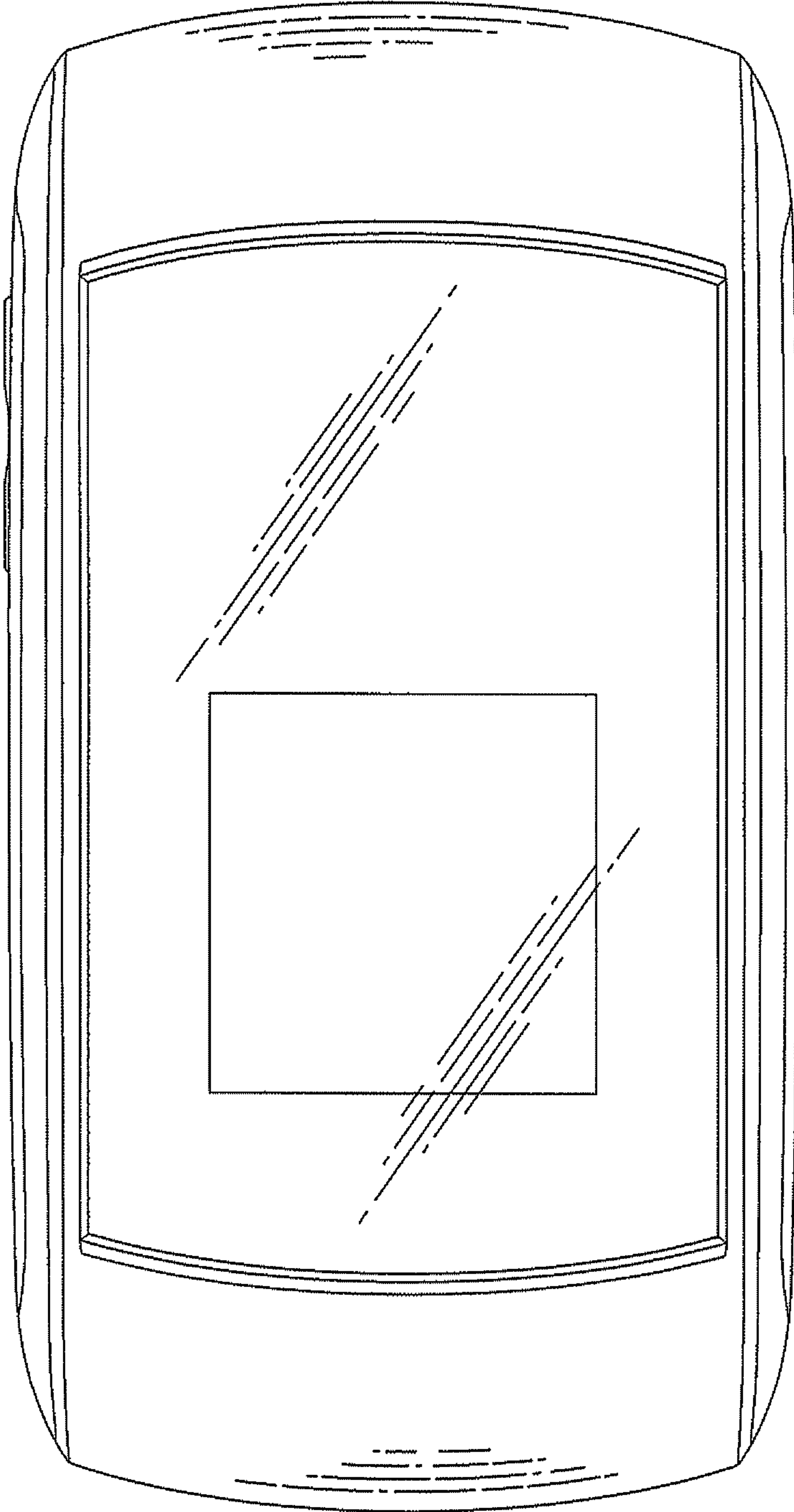


FIG.3

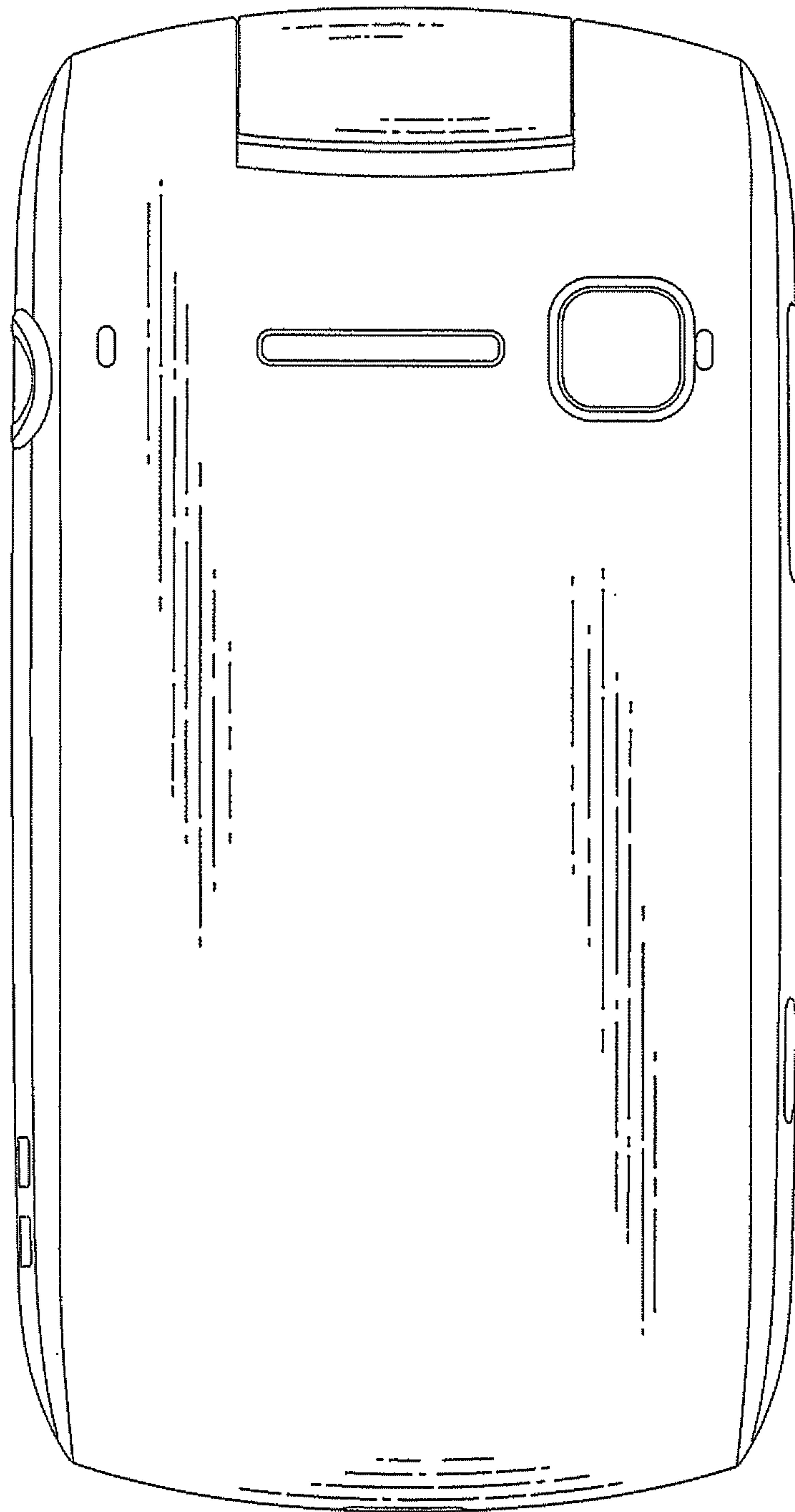




FIG.4

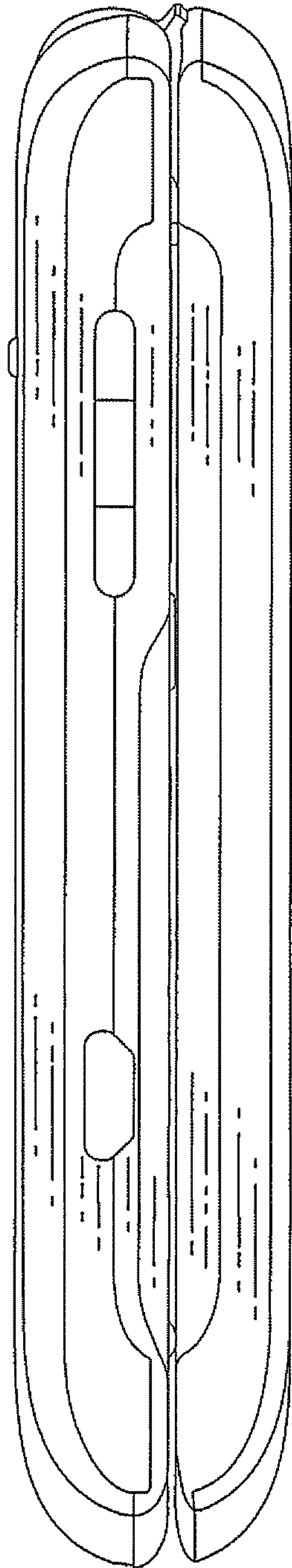


FIG.5

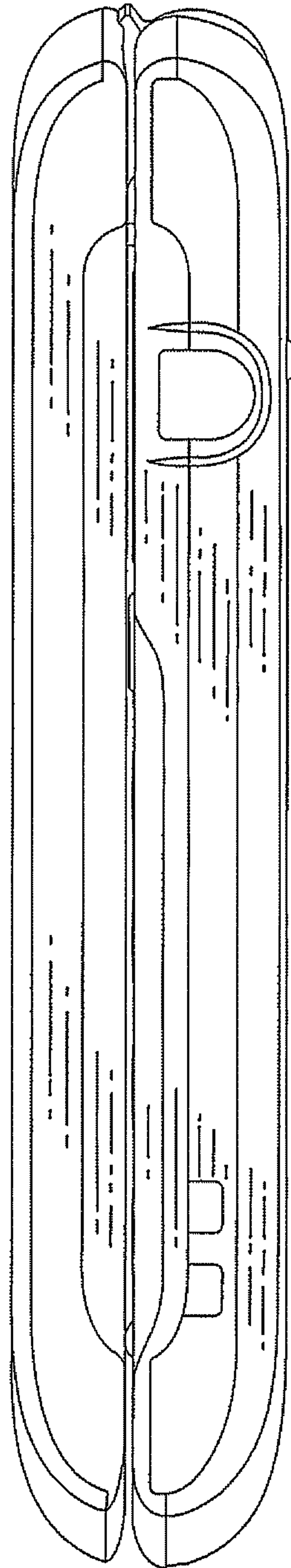


FIG.6

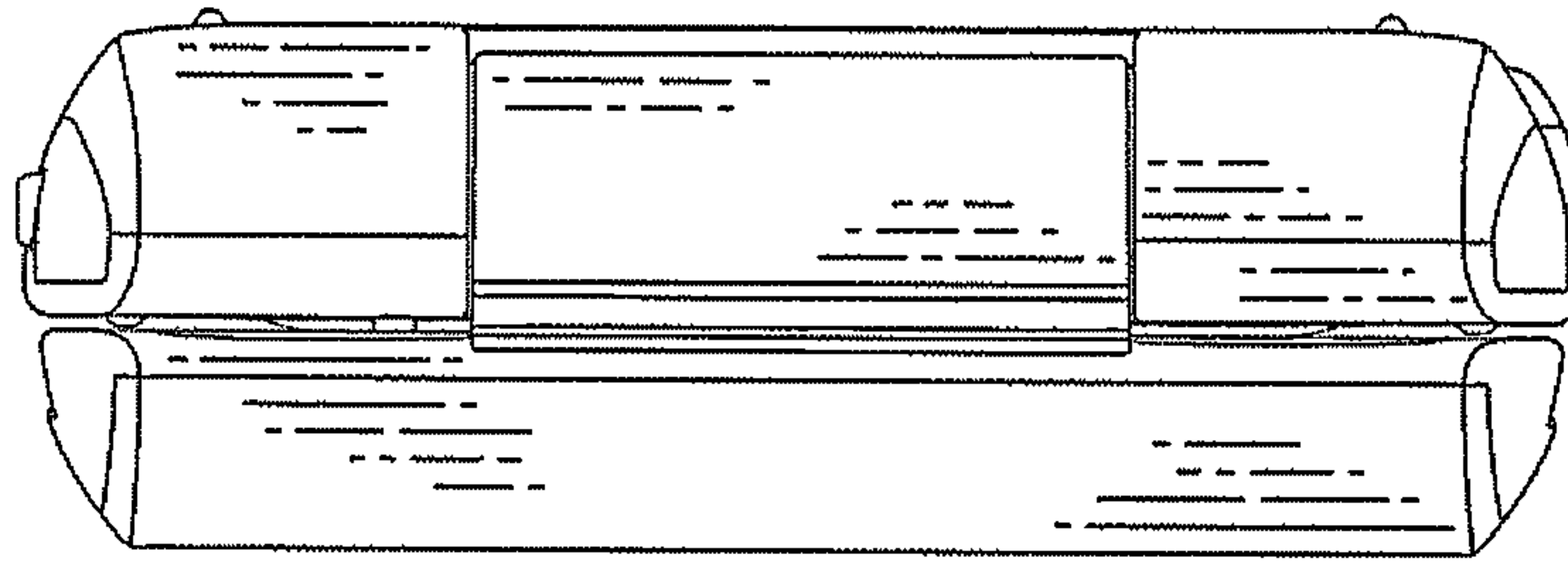
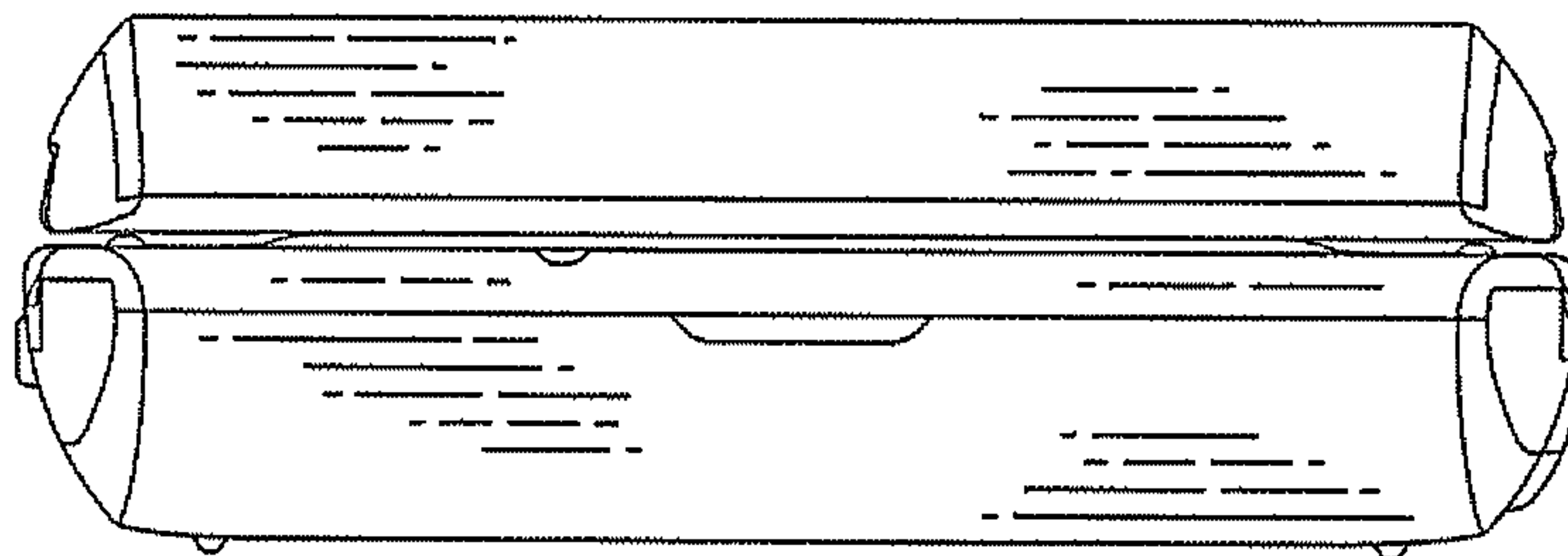


FIG.7



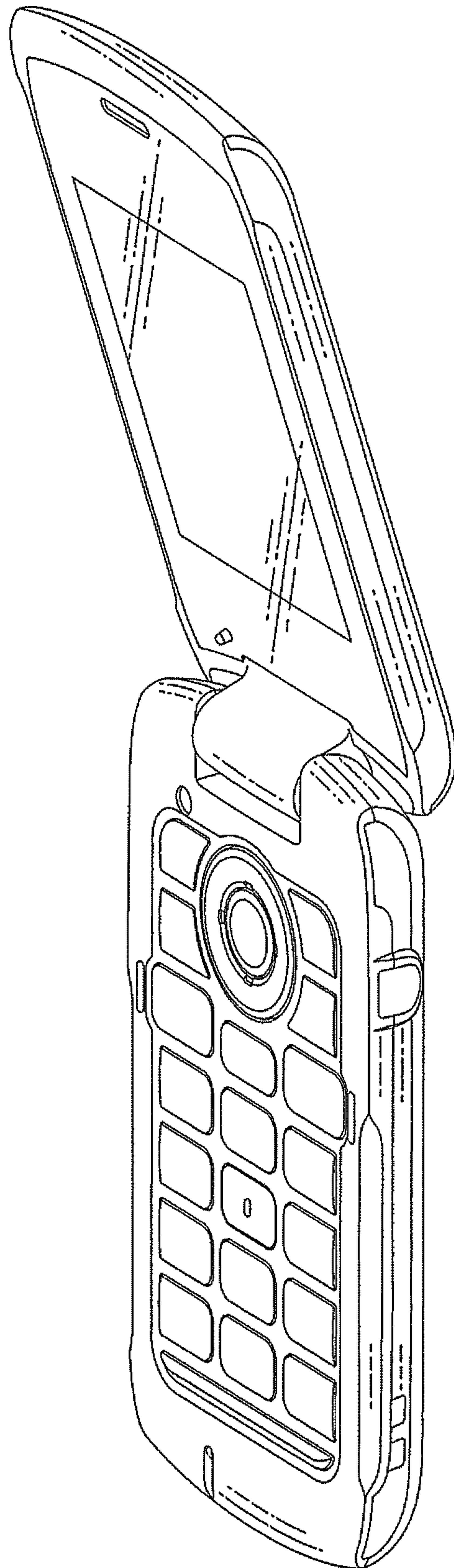


FIG.8



FIG.9

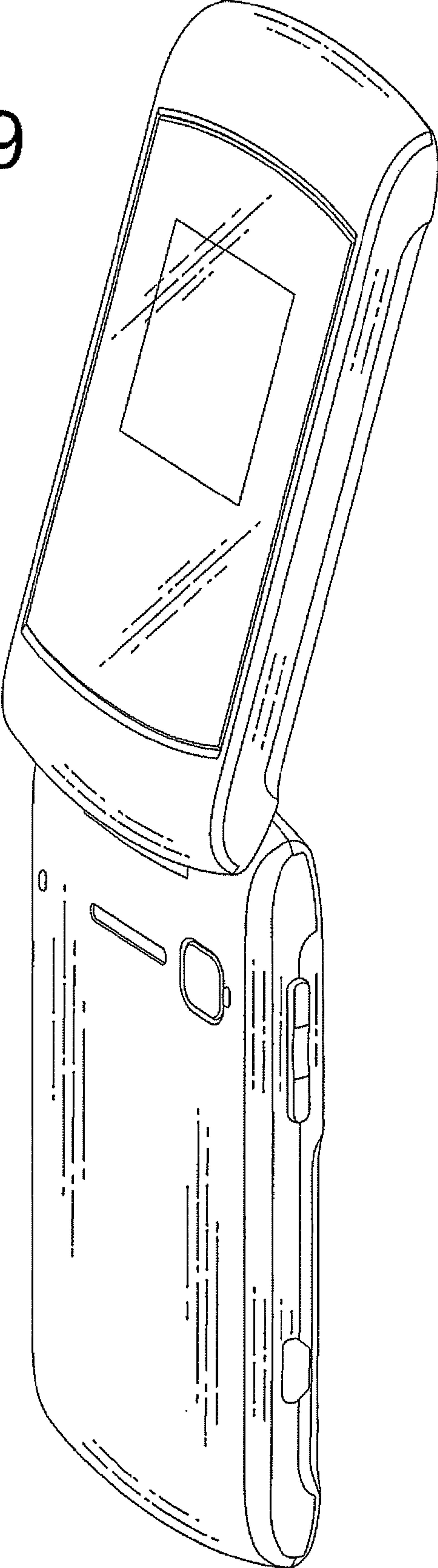


FIG. 10

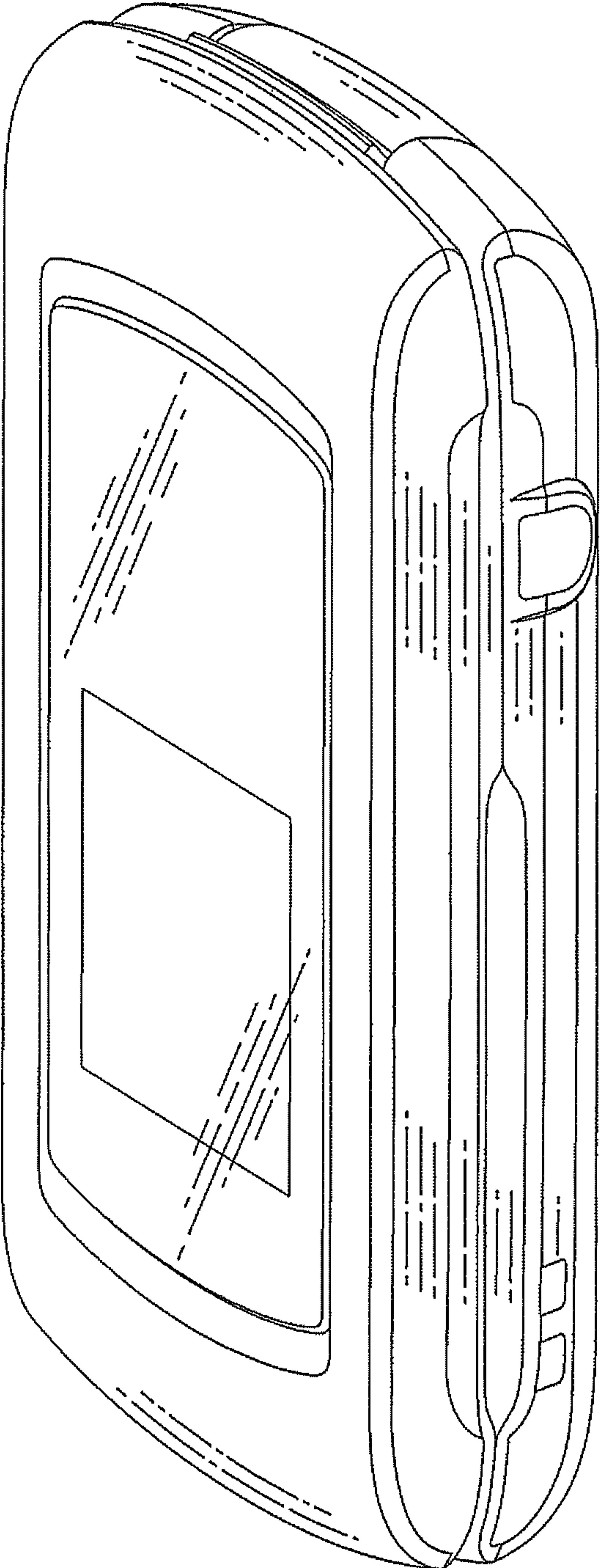


FIG. 11

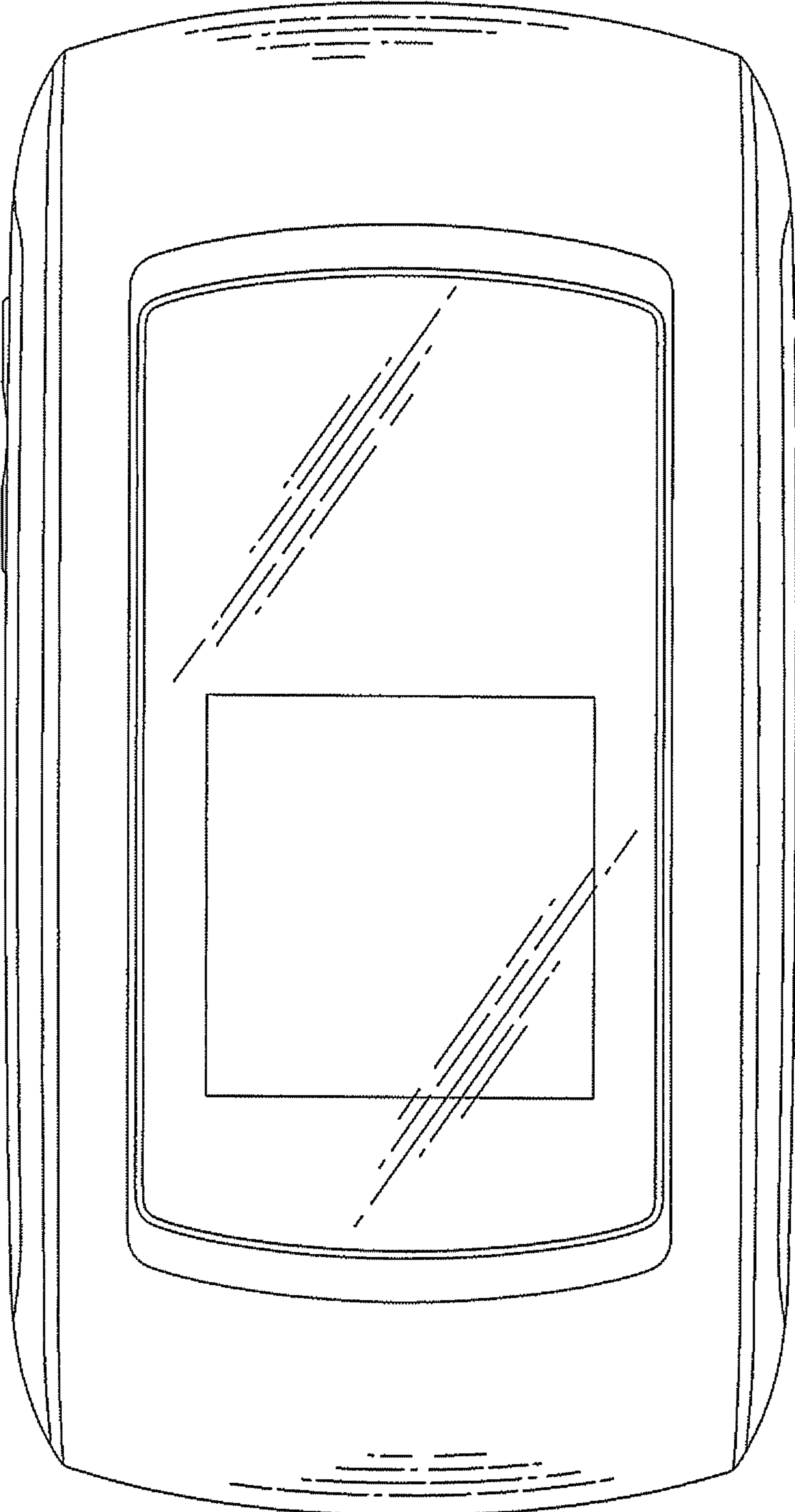


FIG. 12

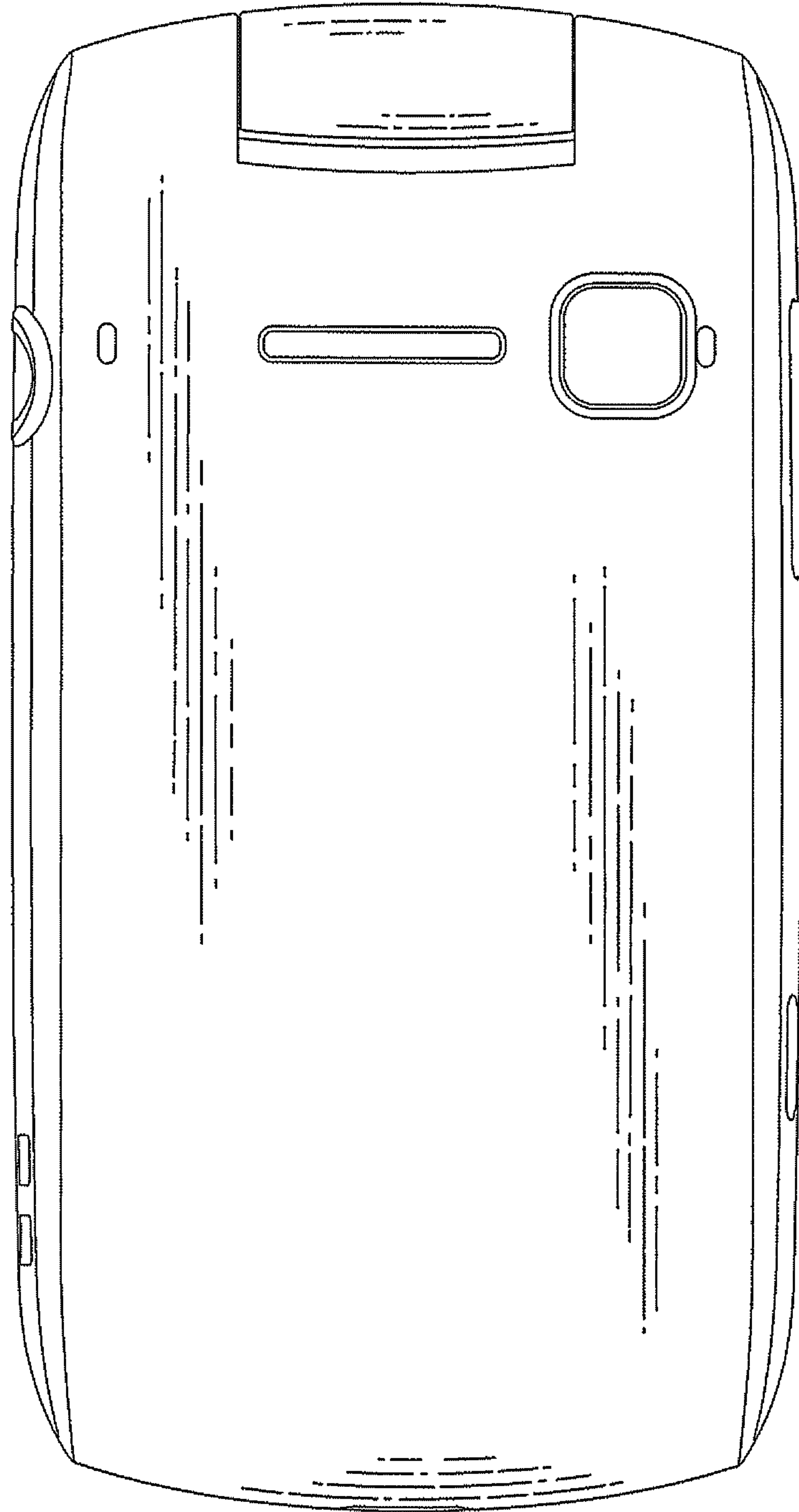


FIG. 13

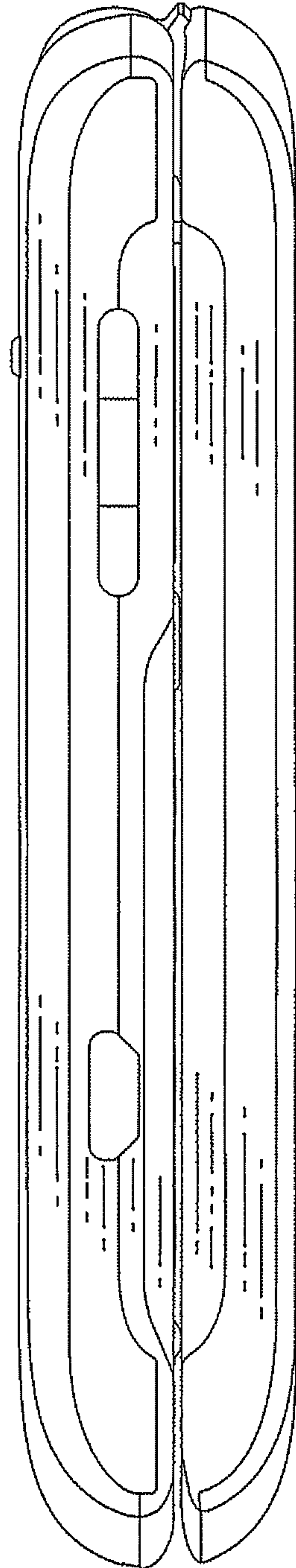


FIG. 14

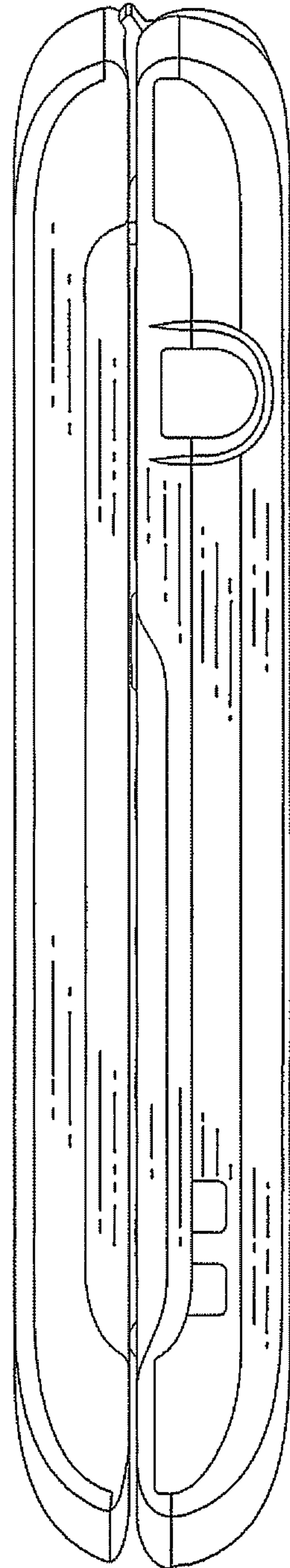




FIG.15

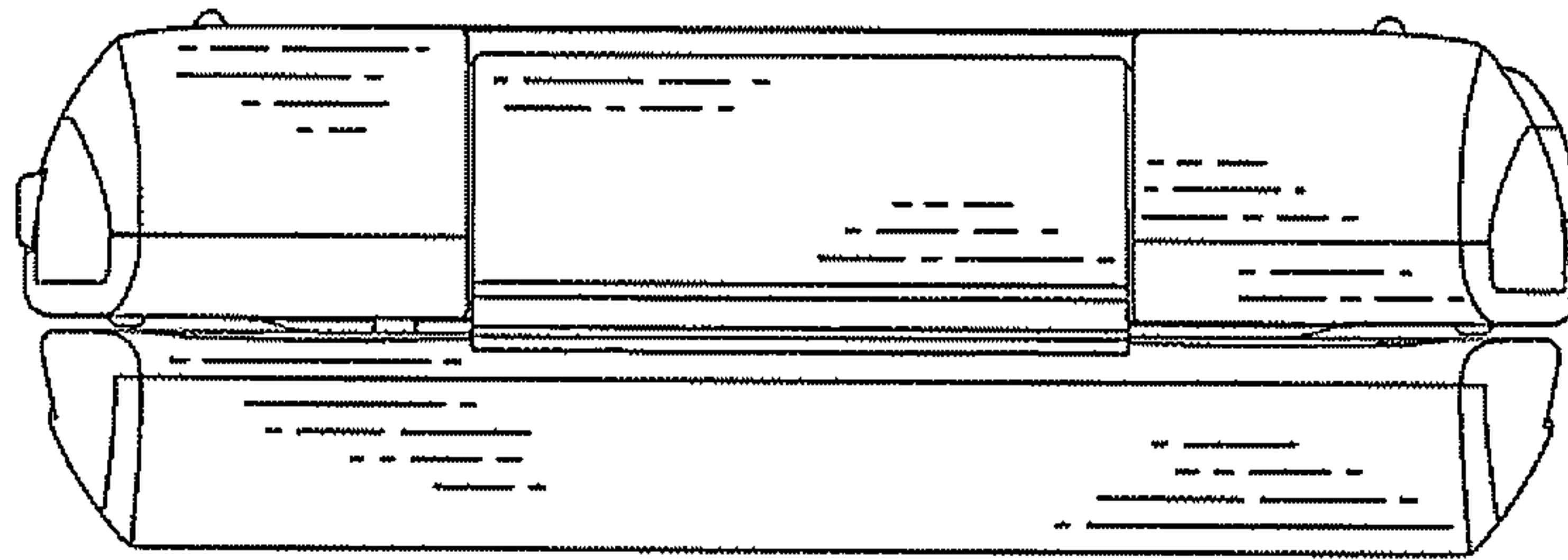


FIG.16

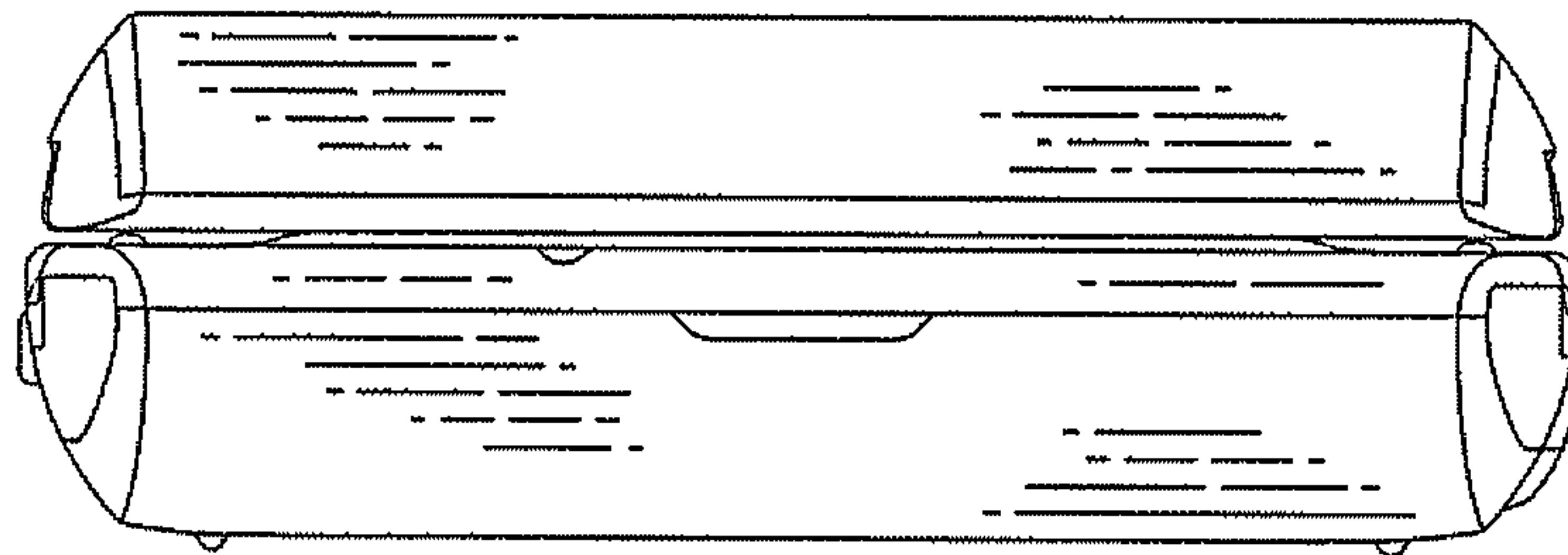


FIG. 17

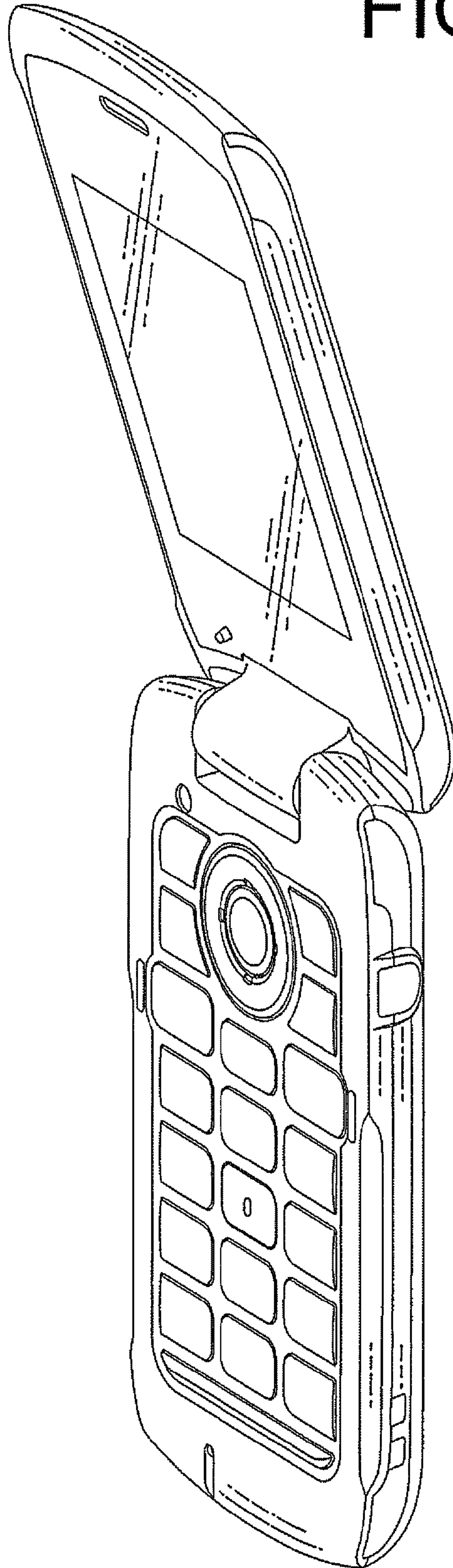


FIG. 18

