



US00D709469S

(12) **United States Design Patent**
Ryu et al.

(10) **Patent No.:** **US D709,469 S**
(45) **Date of Patent:** **** Jul. 22, 2014**

(54) **TELEVISION RECEIVER**

(71) Applicant: **LG Electronics Inc.**, Seoul (KR)

(72) Inventors: **Junghan Ryu**, Seoul (KR); **Jiyeon Lee**, Gyeonggi-do (KR); **Jeongrok Lee**, Seoul (KR); **Jongchul Kim**, Seoul (KR); **Sangho Lee**, Seoul (KR)

(73) Assignee: **LG Electronics Inc.**, Seoul (KR)

(**) Term: **14 Years**

(21) Appl. No.: **29/484,640**

(22) Filed: **Mar. 12, 2014**

(30) **Foreign Application Priority Data**

Sep. 13, 2013 (KR) 30-2013-0047320

(51) **LOC (10) Cl.** **14-03**

(52) **U.S. Cl.**
USPC **D14/126**

(58) **Field of Classification Search**
USPC D14/125-134, 239, 371, 136, 374-377, D14/440, 450, 448, 336, 342, 159; 312/7.2; 348/836, 838, 180, 184, 325, 739; 248/917-924, 465; 345/104, 133, 156, 345/168, 87, 173; D21/329, 515, 577, 622, D21/333, 433, 448, 452, 450, 331, 505; D10/15, 26; 446/484, 175, 356; D6/477, 479, 300

See application file for complete search history.

(56) **References Cited**

U.S. PATENT DOCUMENTS

D431,537 S *	10/2000	Saeki et al.	D14/126
D454,845 S *	3/2002	Niitsu	D14/126
D524,764 S *	7/2006	Inaba	D14/126
D537,421 S *	2/2007	Hwang et al.	D14/126
D541,775 S *	5/2007	Kita	D14/126
D548,206 S *	8/2007	Han	D14/126
D566,067 S *	4/2008	Kita	D14/126
D581,377 S *	11/2008	Chiu et al.	D14/126
D584,257 S *	1/2009	Kita	D14/126
D633,881 S *	3/2011	Yokota et al.	D14/126
D695,700 S *	12/2013	Seong	D14/126
D701,844 S *	4/2014	Han	D14/126
D702,199 S *	4/2014	Park et al.	D14/126

* cited by examiner

Primary Examiner — Raphael Barkai
(74) *Attorney, Agent, or Firm* — Morgan, Lewis & Bockius LLP

(57) **CLAIM**

The ornamental design for a television receiver, as shown and described.

DESCRIPTION

FIG. 1 is a perspective view of a television receiver showing our new design;
FIG. 2 is a front view thereof;
FIG. 3 is a rear view thereof;
FIG. 4 is a left side view thereof where the right side view is a mirror image;
FIG. 5 is a top plan view thereof;
FIG. 6 is a bottom plan view thereof;
FIG. 7 is a rear perspective view thereof; and,
FIG. 8 is a reference enlarged view of the upper-right part thereof.
The broken lines are for illustrative purposes only and form no part of the claimed design.

1 Claim, 8 Drawing Sheets

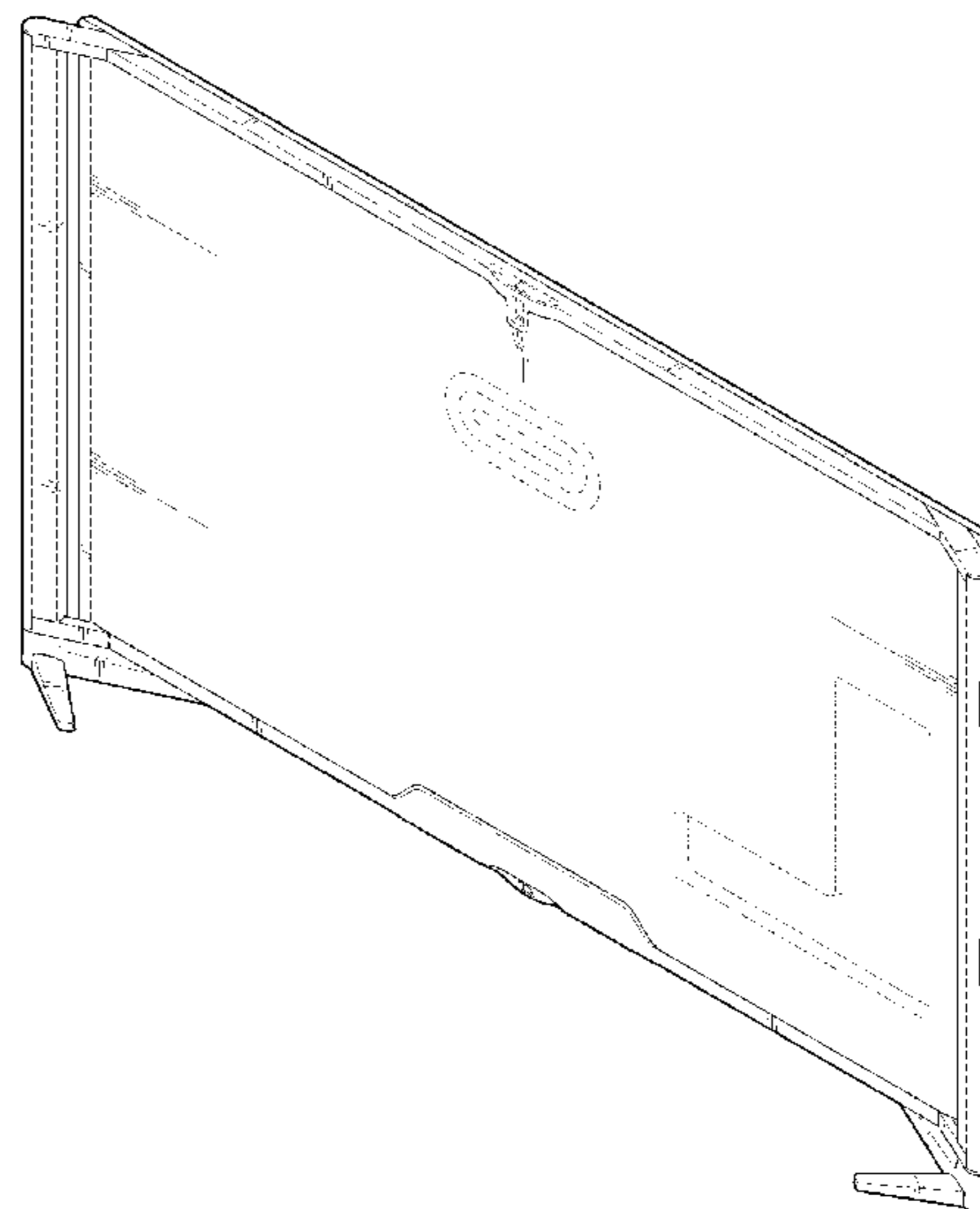
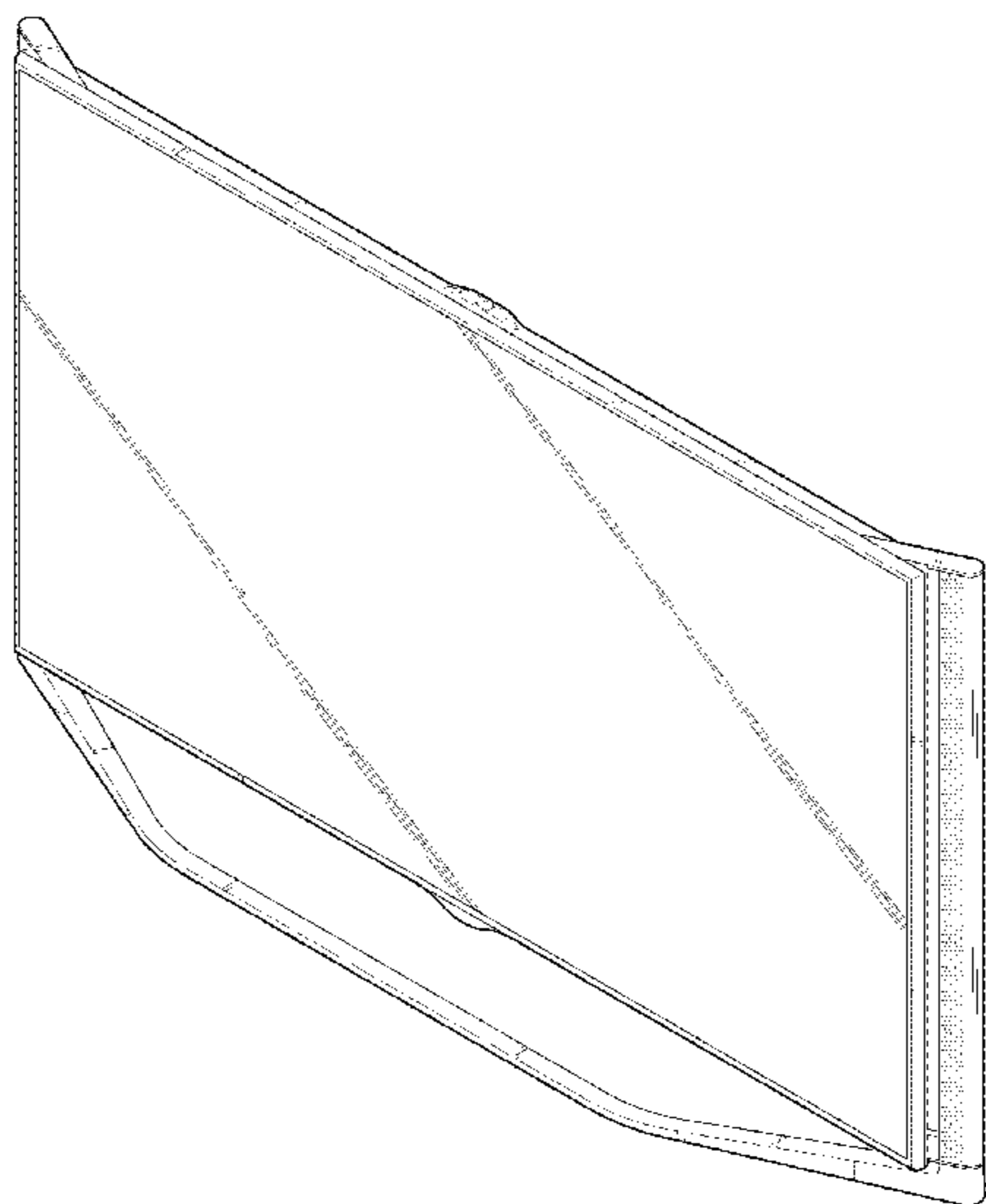


FIG. 1

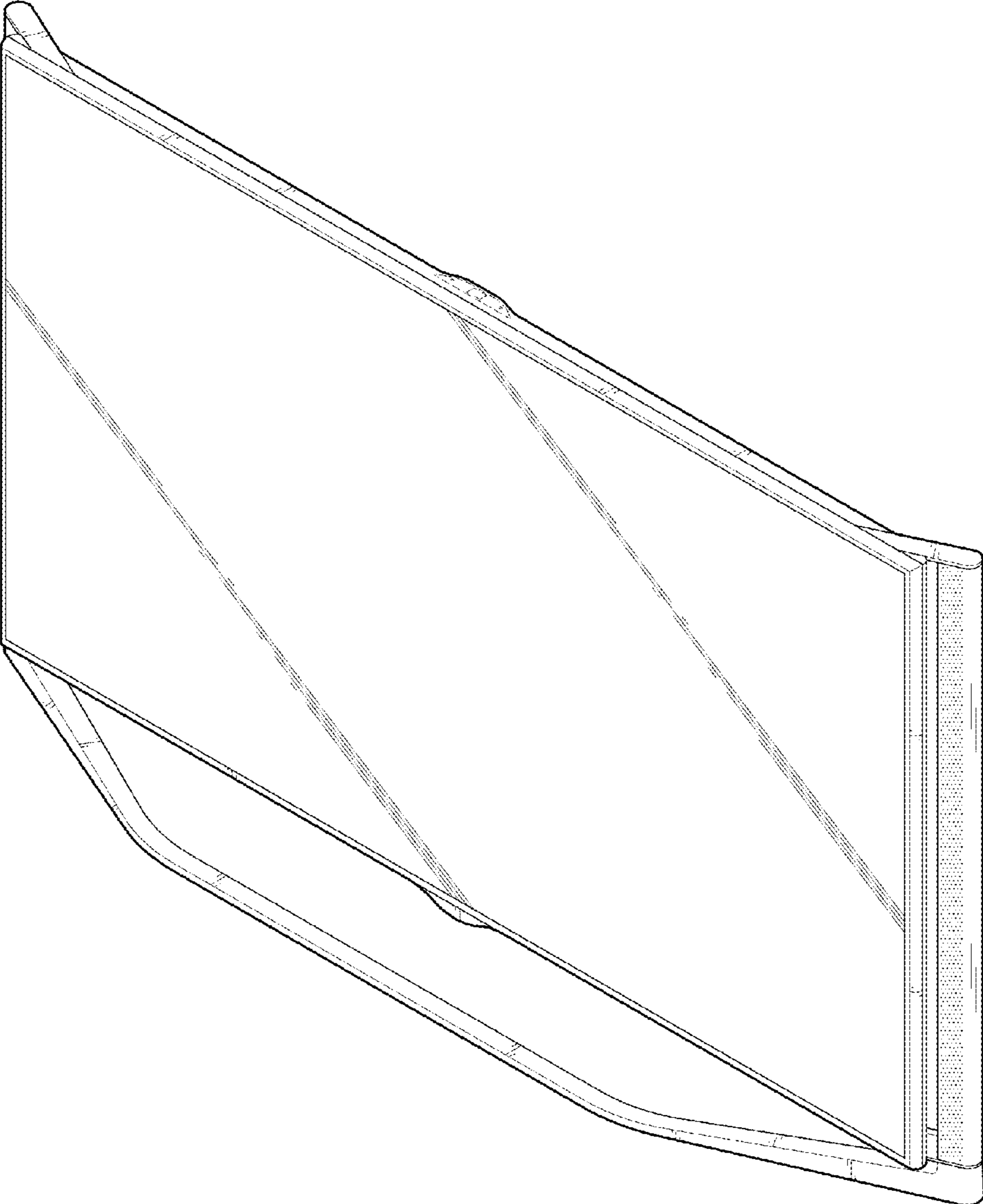


FIG. 2

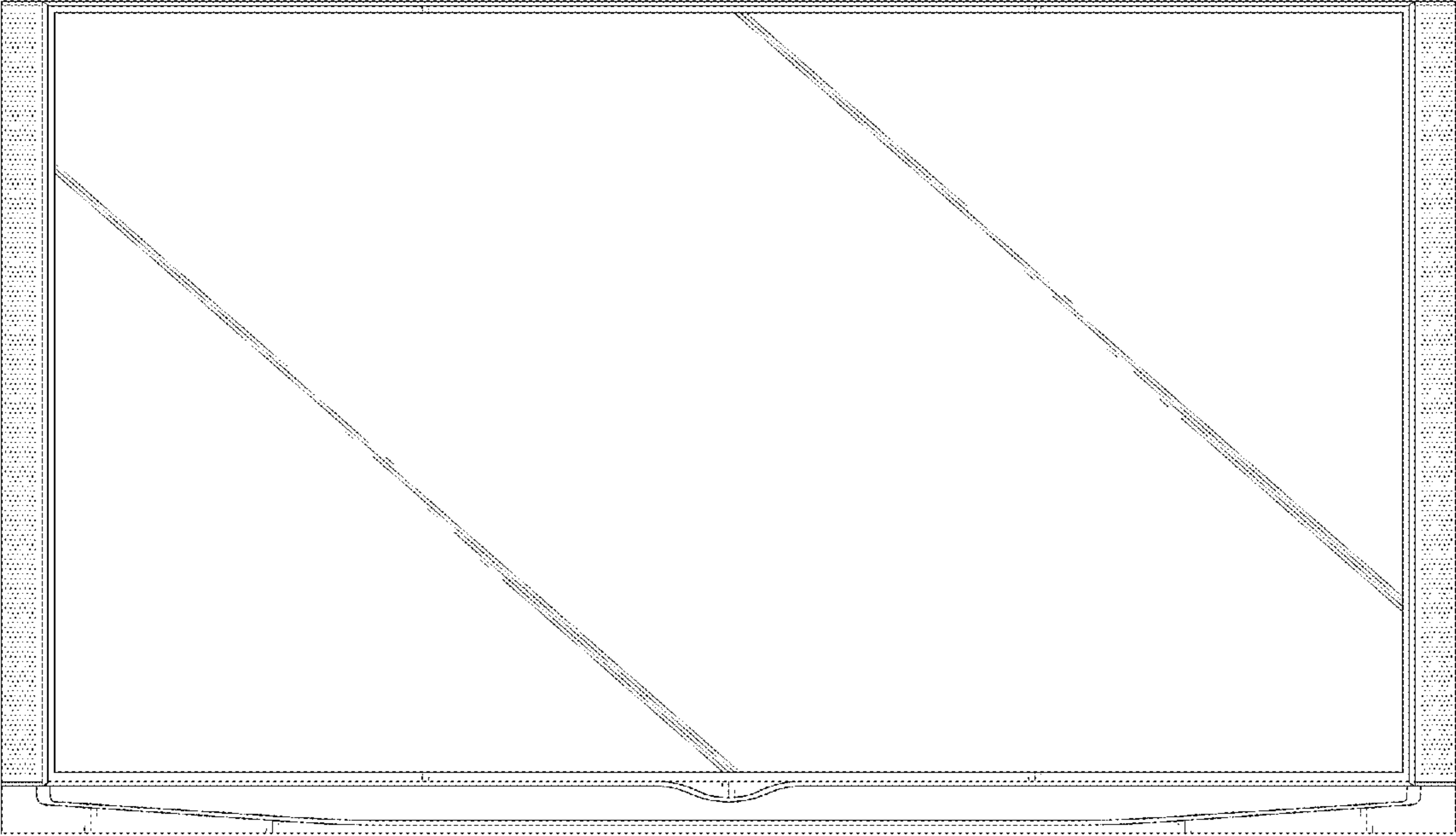


FIG. 3

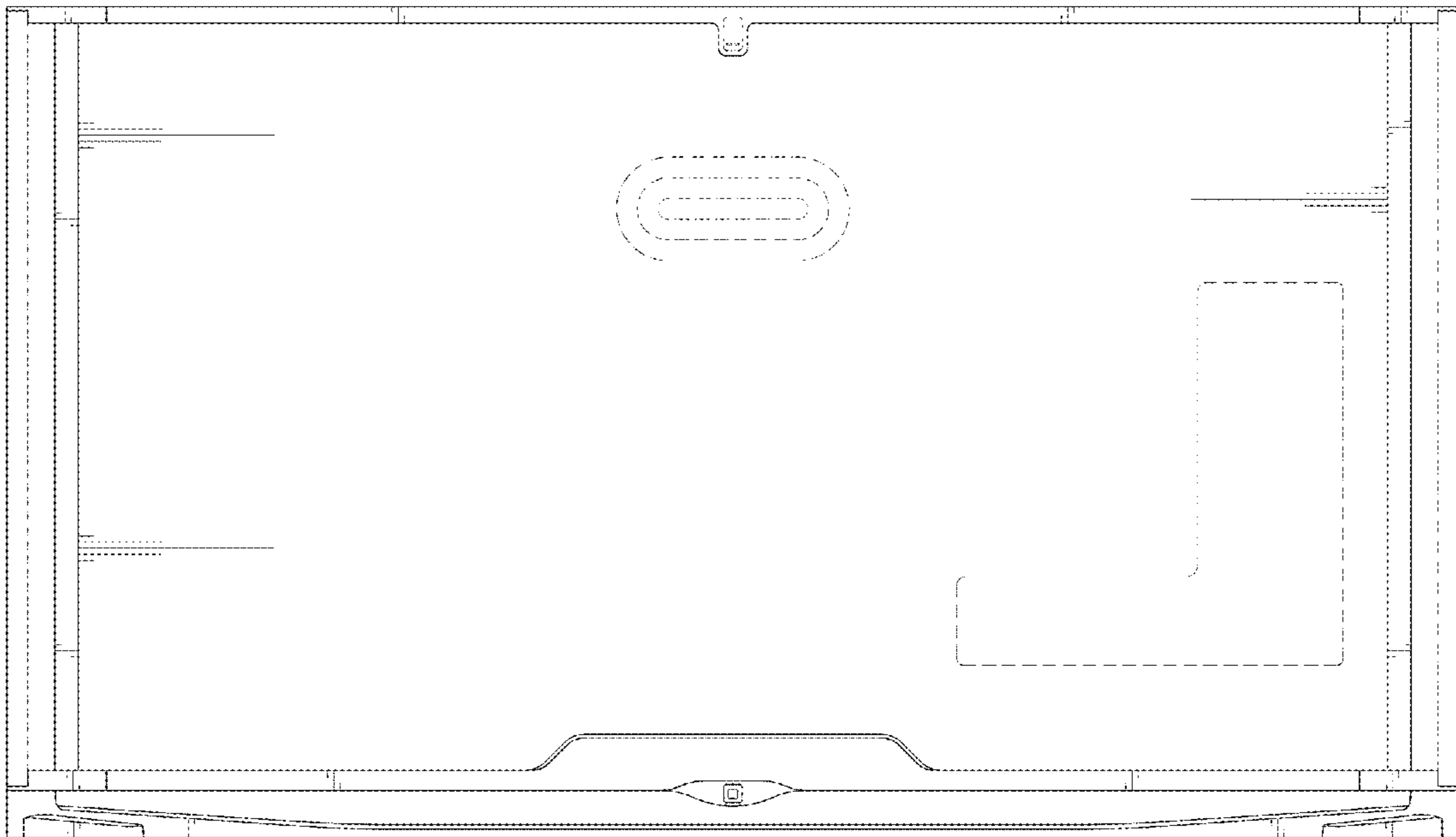


FIG. 4

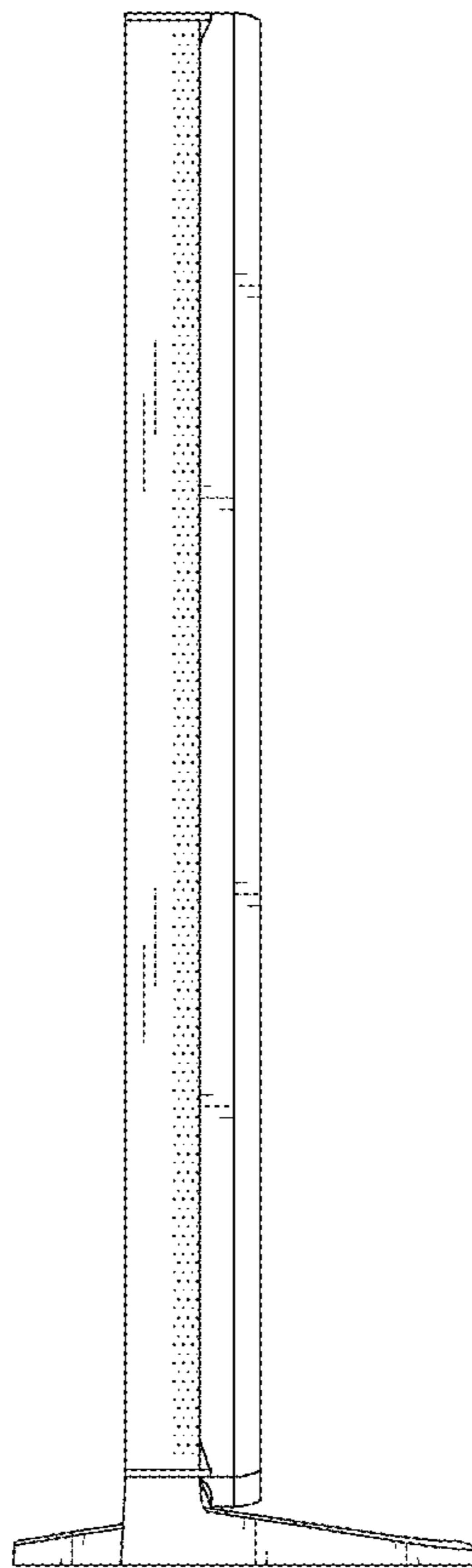


FIG. 5

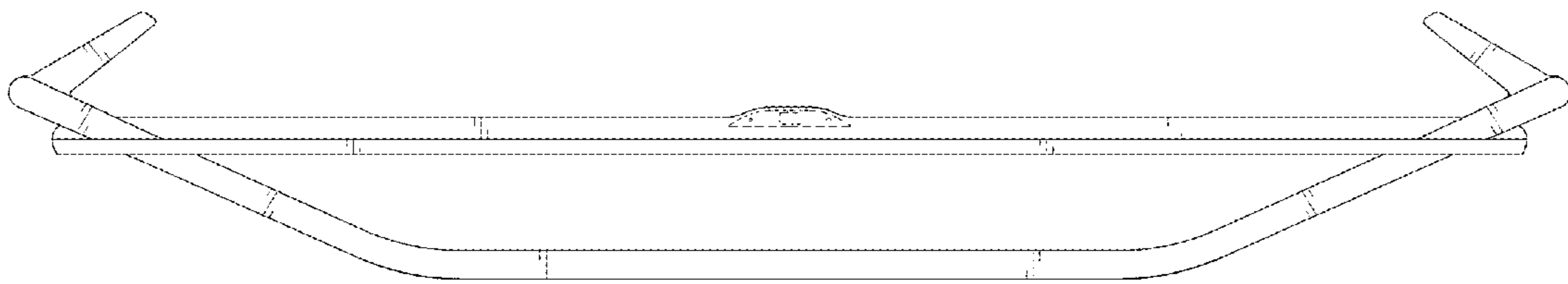


FIG. 6

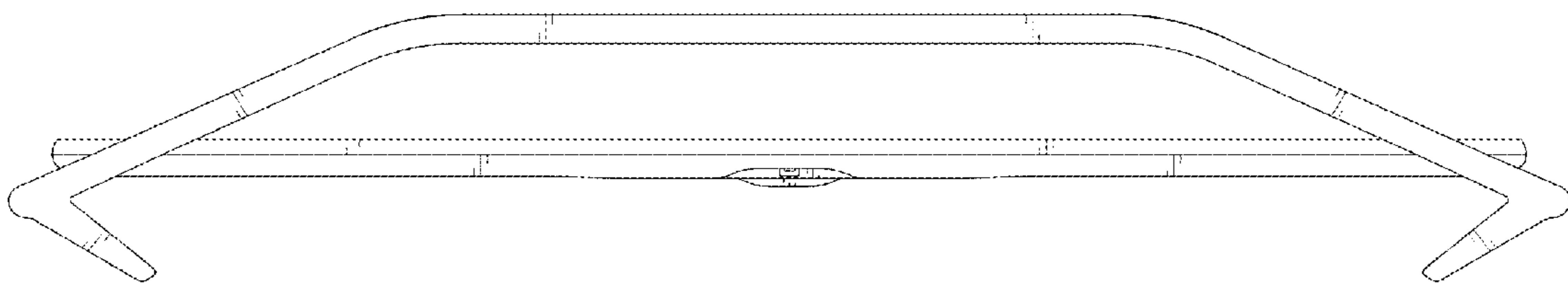


FIG. 7

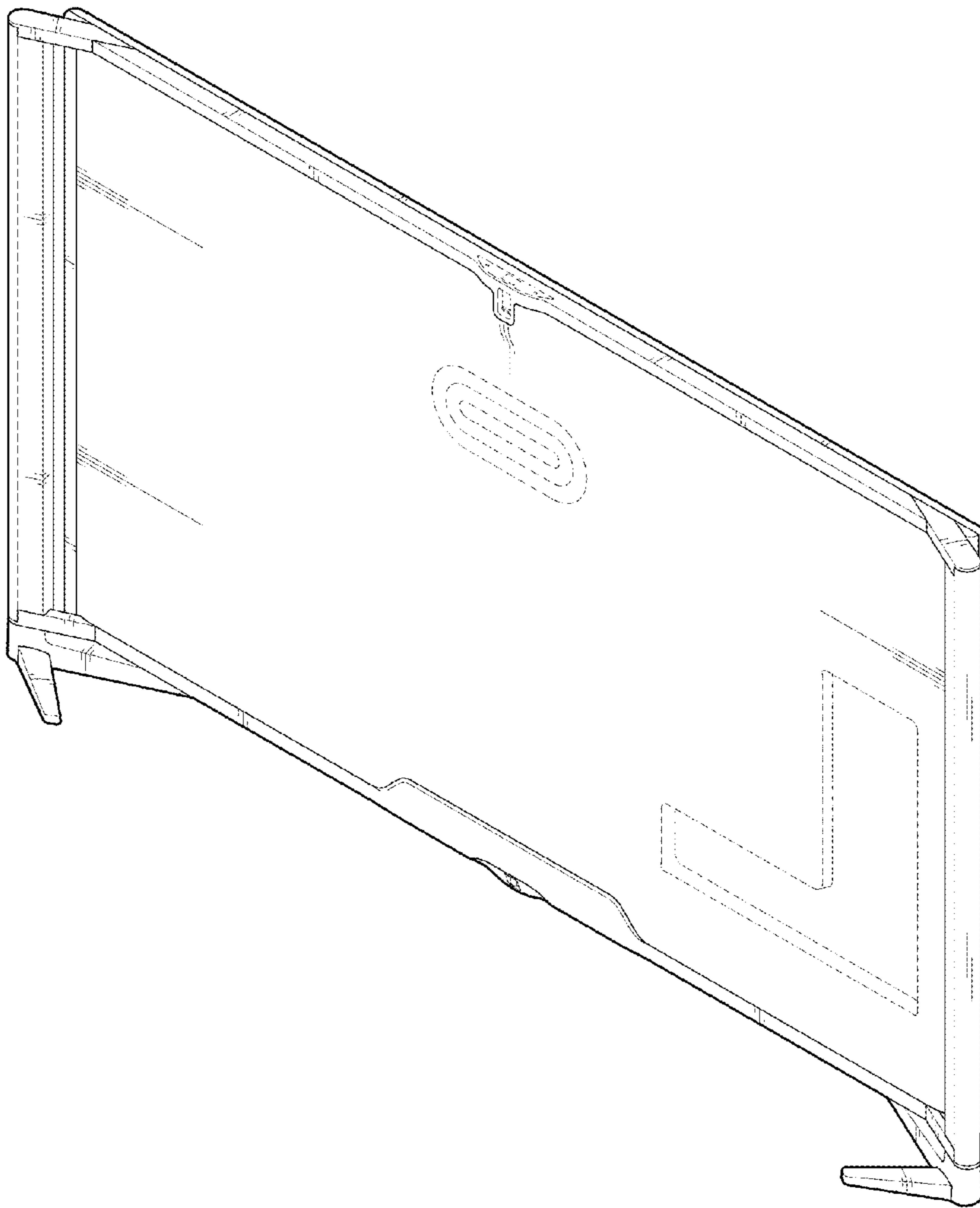


FIG. 8

