



US00D709467S

(12) **United States Design Patent**
Jiang et al.

(10) **Patent No.:** **US D709,467 S**
(45) **Date of Patent:** **** Jul. 22, 2014**

(54) **TELEVISION**

(71) Applicant: **Hisense Electric Co., Ltd.**, Qingdao (CN)

(72) Inventors: **Nan Jiang**, Qingdao (CN); **Wenming Zhang**, Qingdao (CN); **Shude Wang**, Qingdao (CN)

(73) Assignee: **Hisense Electric Co., Ltd.**, Qingdao, Shan Dong Province (CN)

(**) Term: **14 Years**

(21) Appl. No.: **29/479,424**

(22) Filed: **Jan. 15, 2014**

(30) **Foreign Application Priority Data**

Oct. 28, 2013 (CN) 2013 3 0509864

(51) **LOC (10) Cl.** **14-03**

(52) **U.S. Cl.**
USPC **D14/126**

(58) **Field of Classification Search**
USPC D14/125-134, 239, 371, 136, 374-377, D14/440, 450, 448, 336, 342, 159; 312/7.2; 348/836, 838, 180, 184, 325, 739; 248/917-924, 465; 345/104, 133, 156, 345/168, 87, 173; D21/329, 515, 577, 622, D21/333, 433, 448, 452, 450, 331, 505; D10/15, 26; 446/484, 175, 356; D6/477, 479, 300

See application file for complete search history.

(56) **References Cited**

U.S. PATENT DOCUMENTS

D535,265 S *	1/2007	Inoue	D14/126
D548,206 S *	8/2007	Han	D14/126
D554,599 S *	11/2007	Otsuka et al.	D14/126
D561,714 S *	2/2008	Bloem	D14/126
D567,194 S *	4/2008	Inaba	D14/126
D680,509 S *	4/2013	Hwangbo et al.	D14/126
D682,232 S *	5/2013	Lee et al.	D14/126
D689,033 S *	9/2013	Hwangbo et al.	D14/126
D691,977 S *	10/2013	Lee et al.	D14/126
D693,784 S *	11/2013	Lee	D14/126

* cited by examiner

Primary Examiner — Raphael Barkai

(74) *Attorney, Agent, or Firm* — Cheng-Ju Chiang

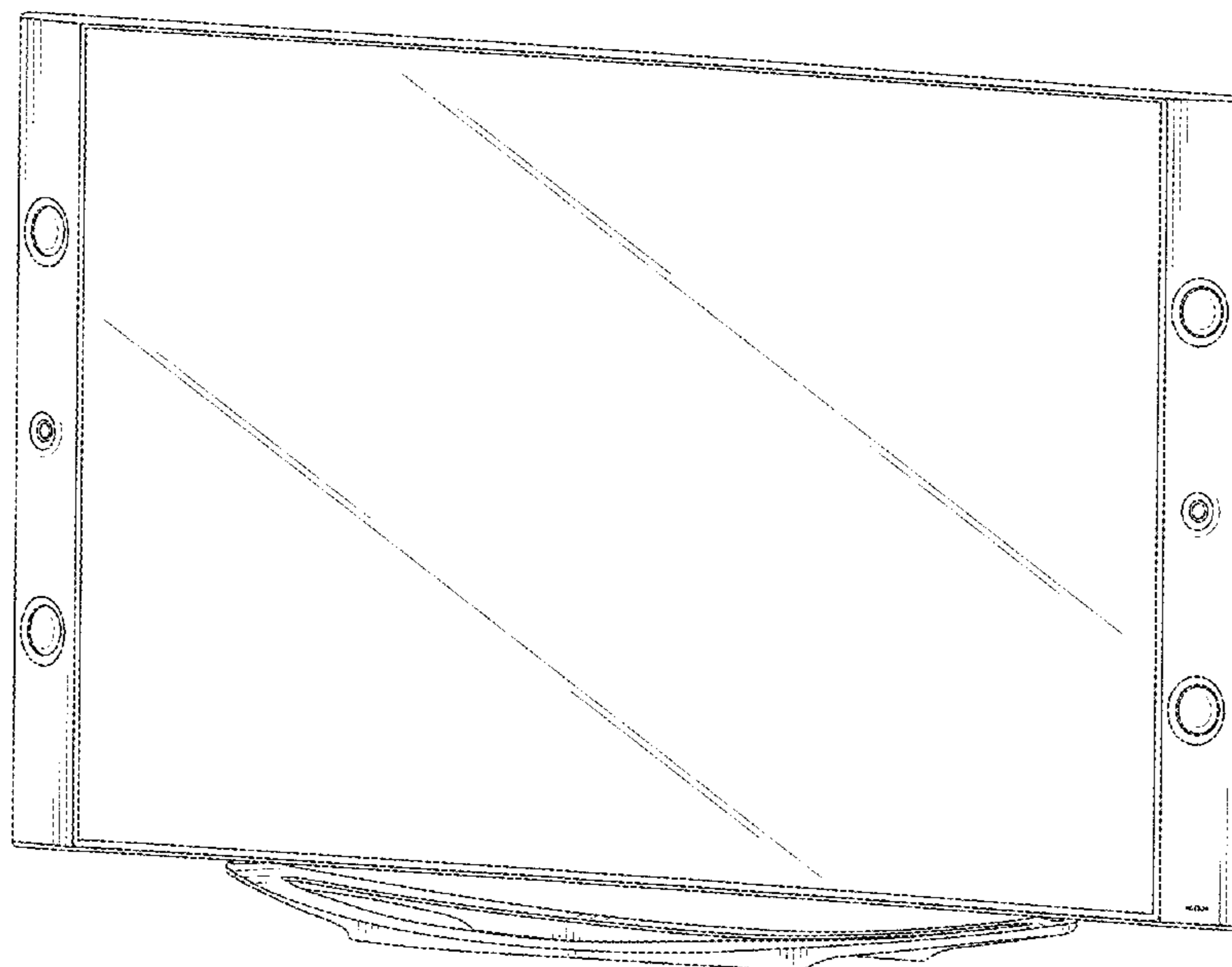
(57) **CLAIM**

The ornamental design for a television, as shown and described.

DESCRIPTION

FIG. 1 is a top front perspective view of a television of showing our new design;
FIG. 2 is a front elevational view thereof;
FIG. 3 is a rear elevational view thereof;
FIG. 4 is a left side elevational view thereof;
FIG. 5 is a right side elevational view thereof;
FIG. 6 is a top plan view thereof; and,
FIG. 7 is a bottom plan view thereof.

1 Claim, 5 Drawing Sheets



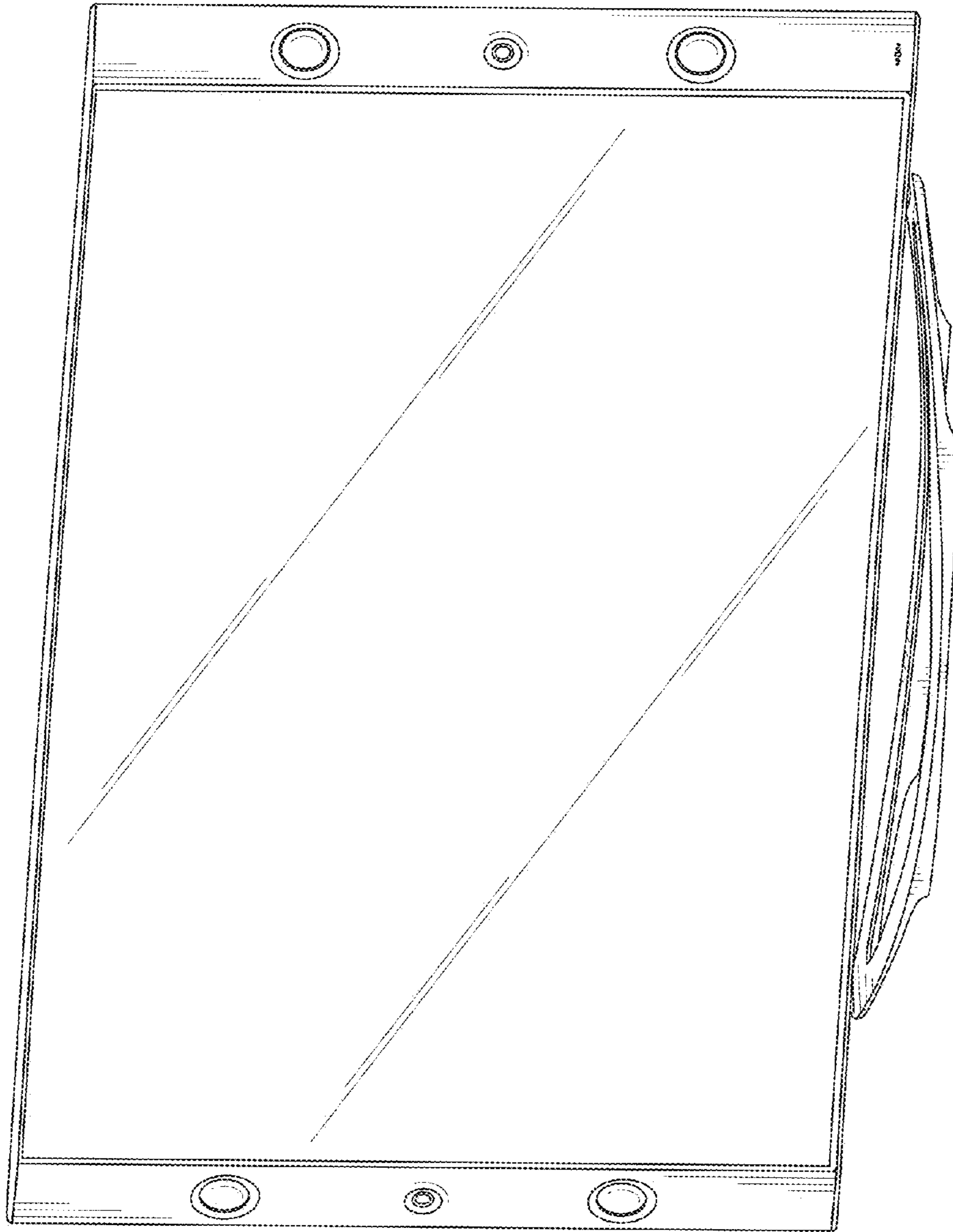


FIG. 1

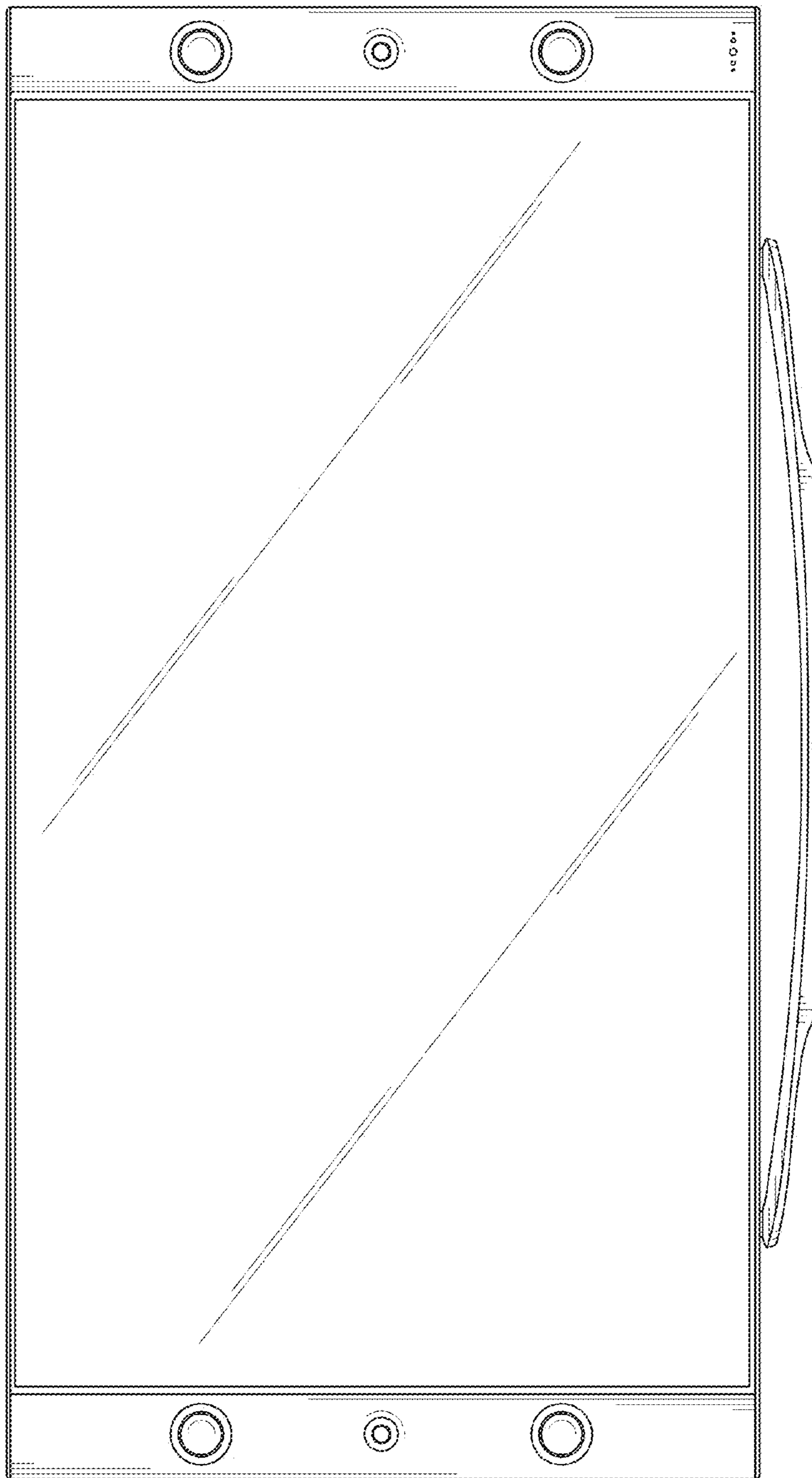


FIG. 2

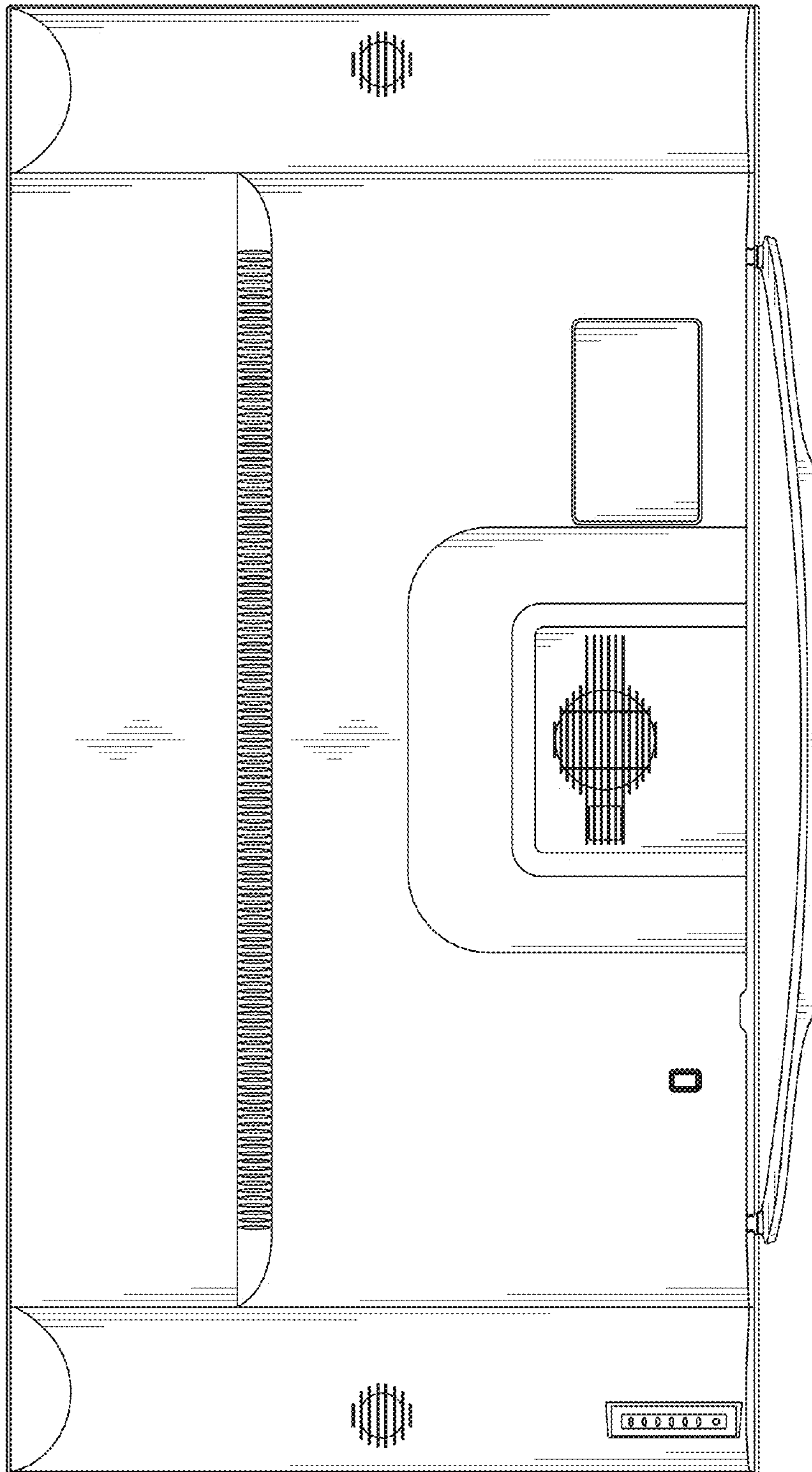


FIG. 3

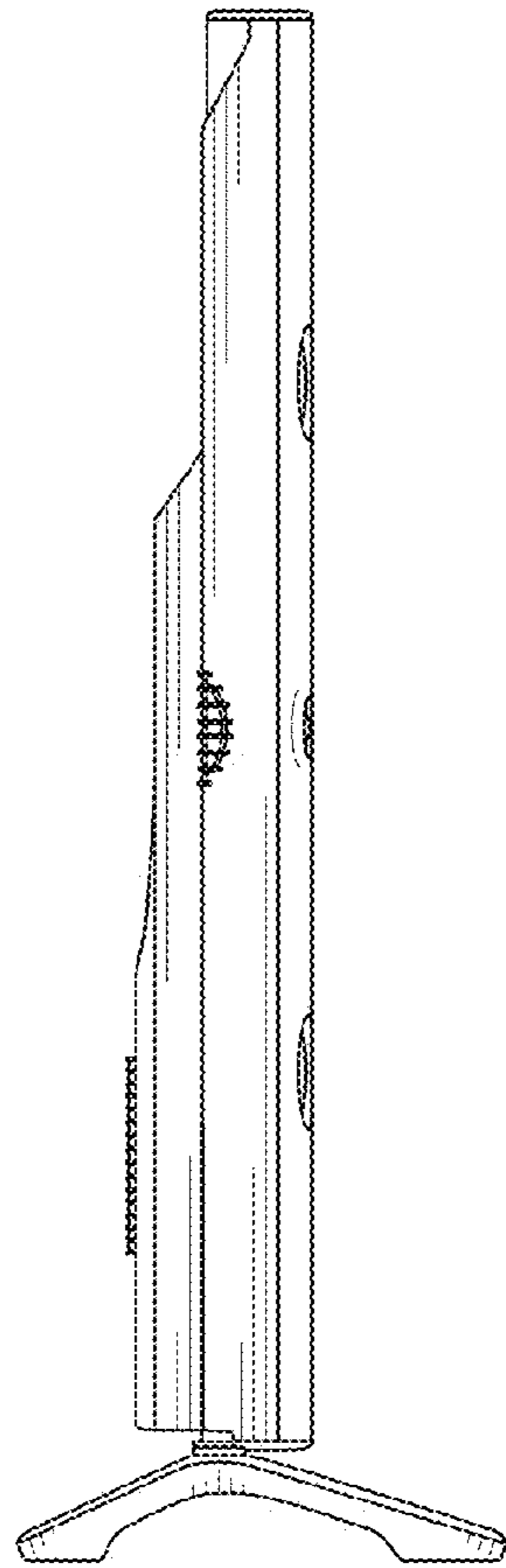


FIG. 4

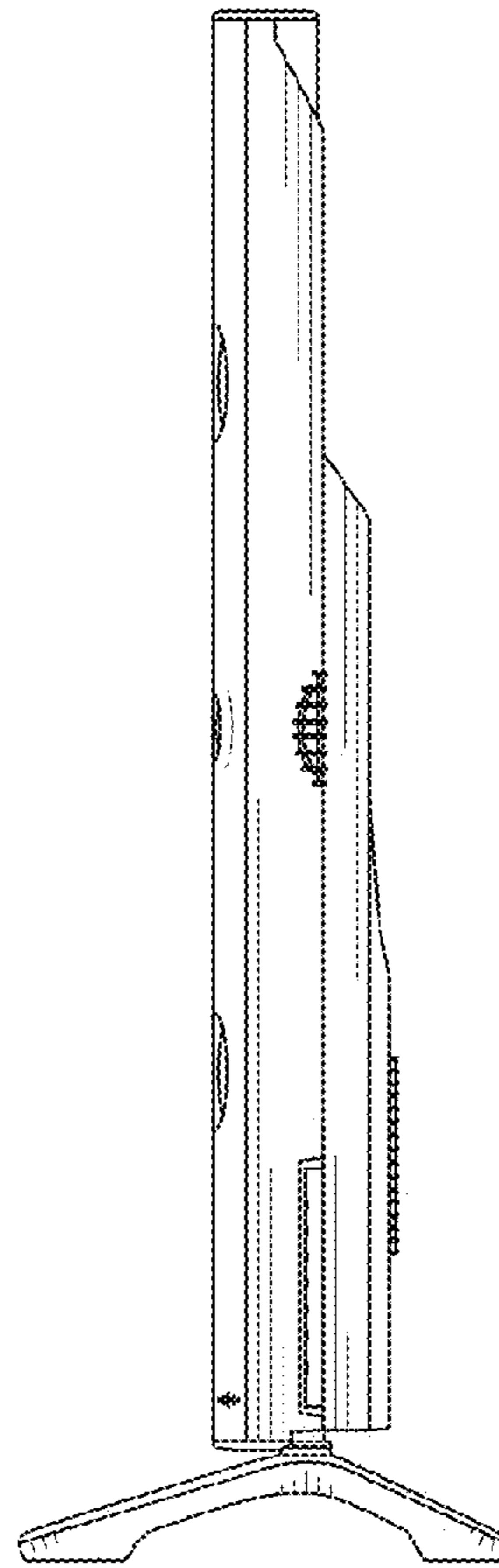


FIG. 5

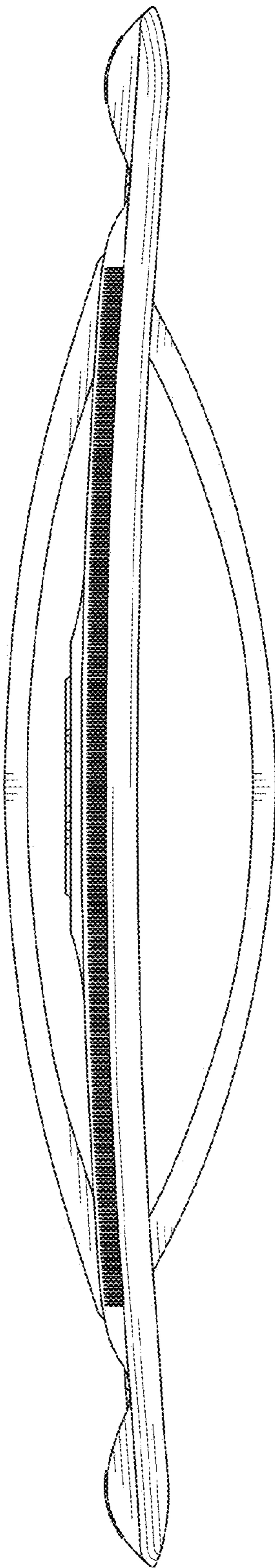


FIG. 6

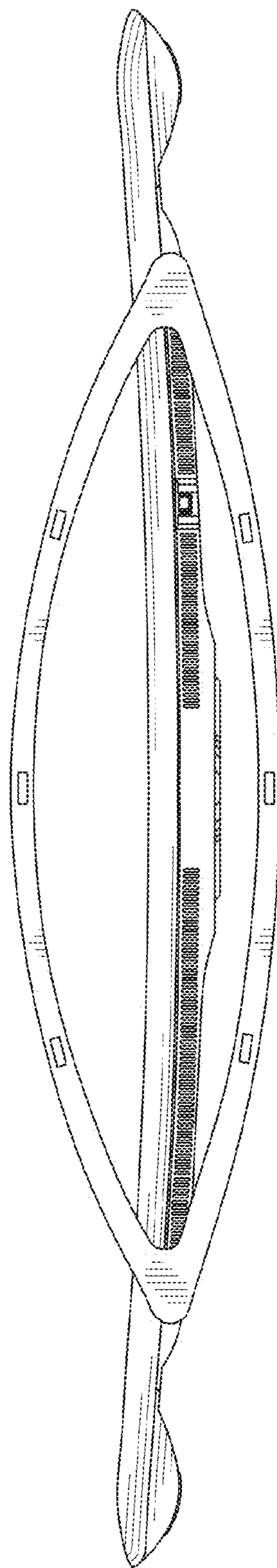


FIG. 7