



US00D709466S

(12) **United States Design Patent**
Sugita

(10) **Patent No.:** **US D709,466 S**
(45) **Date of Patent:** **** Jul. 22, 2014**

(54) **ON-VEHICLE DISPLAY UNIT**
(71) Applicant: **Clarion Co., Ltd.**, Saitama (JP)
(72) Inventor: **Muneki Sugita**, Tokyo (JP)
(73) Assignee: **Clarion Co., Ltd.**, Saitama-shi (JP)
(**) Term: **14 Years**

(21) Appl. No.: **29/433,732**
(22) Filed: **Oct. 4, 2012**

(30) **Foreign Application Priority Data**
Aug. 9, 2012 (JP) 2012-019194
(51) **LOC (10) Cl.** **14-03**
(52) **U.S. Cl.**
USPC **D14/126**
(58) **Field of Classification Search**
USPC D14/125–134, 239, 371, 136, 374–377,
D14/440, 450, 448, 336, 342, 159; 312/7.2;
348/836, 838, 180, 184, 325, 739;
248/917–924, 465; 345/104, 133, 156,
345/168, 87, 173; D21/329, 515, 577, 622,
D21/333, 433, 448, 452, 450, 331, 505;
D10/15, 26; 446/484, 175, 356;
D6/477, 479, 300
See application file for complete search history.

(56) **References Cited**
U.S. PATENT DOCUMENTS
D565,559 S * 4/2008 Aihara D14/258
D574,796 S * 8/2008 Yokoyama D14/132
D582,807 S * 12/2008 Ichikawa et al. D10/65
D593,133 S * 5/2009 Yamamoto D14/505

D597,424 S * 8/2009 Miyawaki D10/65
D608,774 S * 1/2010 Iwamoto et al. D14/258
D620,918 S * 8/2010 Tomono D14/168
D622,734 S * 8/2010 Miyawaki D14/502
D627,244 S * 11/2010 Nakane et al. D10/65
D630,185 S * 1/2011 Tomono et al. D14/157
D640,215 S * 6/2011 Hanson-Abbott D14/126
D665,380 S * 8/2012 Iwamoto D14/198
D680,095 S * 4/2013 Tomono D14/168

* cited by examiner

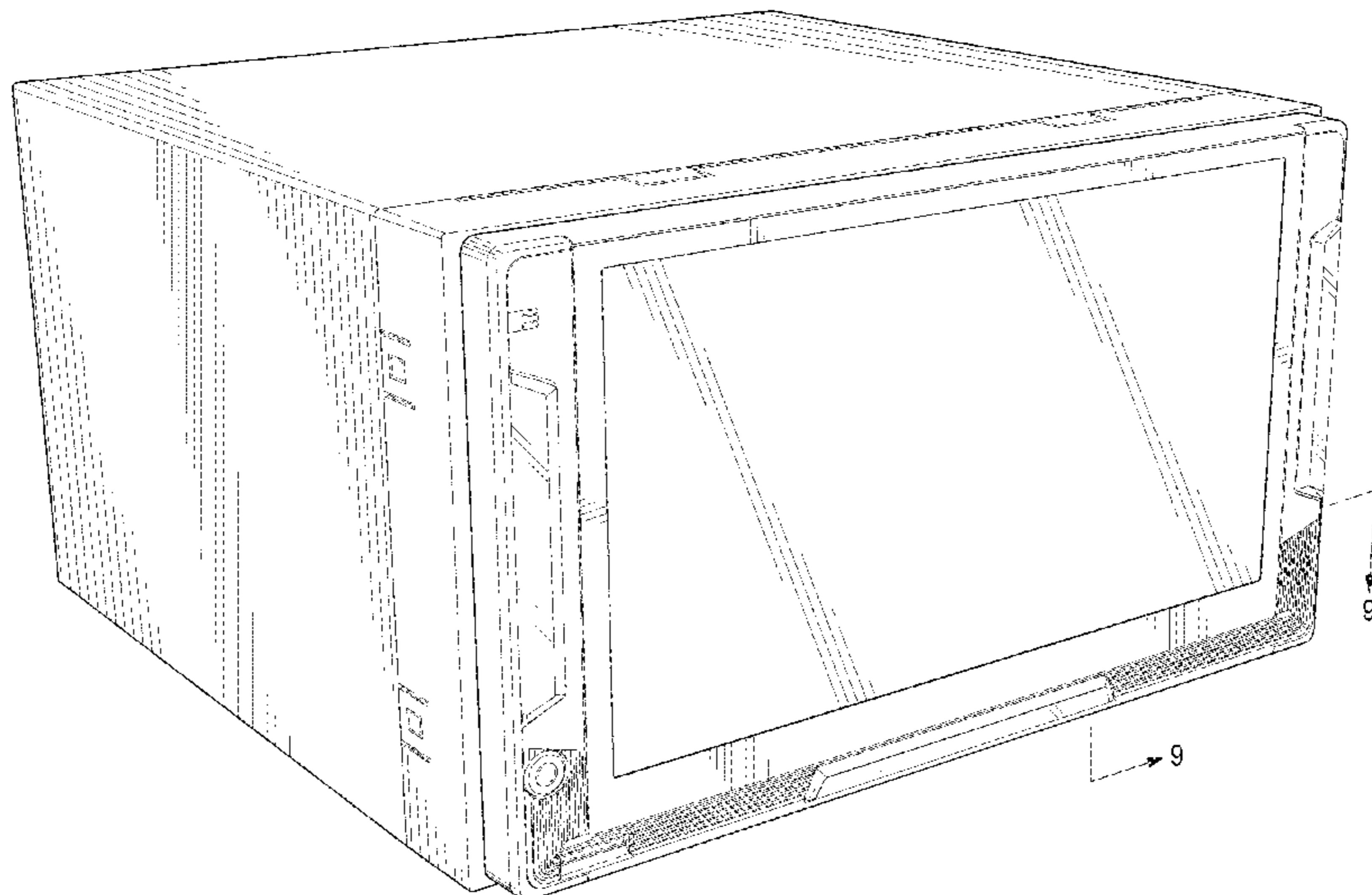
Primary Examiner — Raphael Barkai
(74) *Attorney, Agent, or Firm* — Oliff PLC

(57) **CLAIM**
The ornamental design for an on-vehicle display unit, as shown and described.

DESCRIPTION

FIG. 1 is a top, front, left-side perspective view of an on-vehicle display unit;
FIG. 2 is a front view thereof;
FIG. 3 is a top view thereof;
FIG. 4 is a right-side view thereof, the left-side view being a mirror image of the right-side view;
FIG. 5 is a rear view thereof;
FIG. 6 is a bottom view thereof;
FIG. 7 is a bottom, front, left-side perspective view thereof;
FIG. 8 is a partially enlarged front view thereof taken along lines 8-8 in FIG. 2; and,
FIG. 9 is a partially enlarged perspective view thereof taken along lines 9-9 in FIG. 1.
The broken lines depict unclaimed portions only and form no part of the claimed design.
The dot chain lines illustrated in FIGS. 8 and 9 merely define the enlargement and form no part of the claimed design.

1 Claim, 8 Drawing Sheets



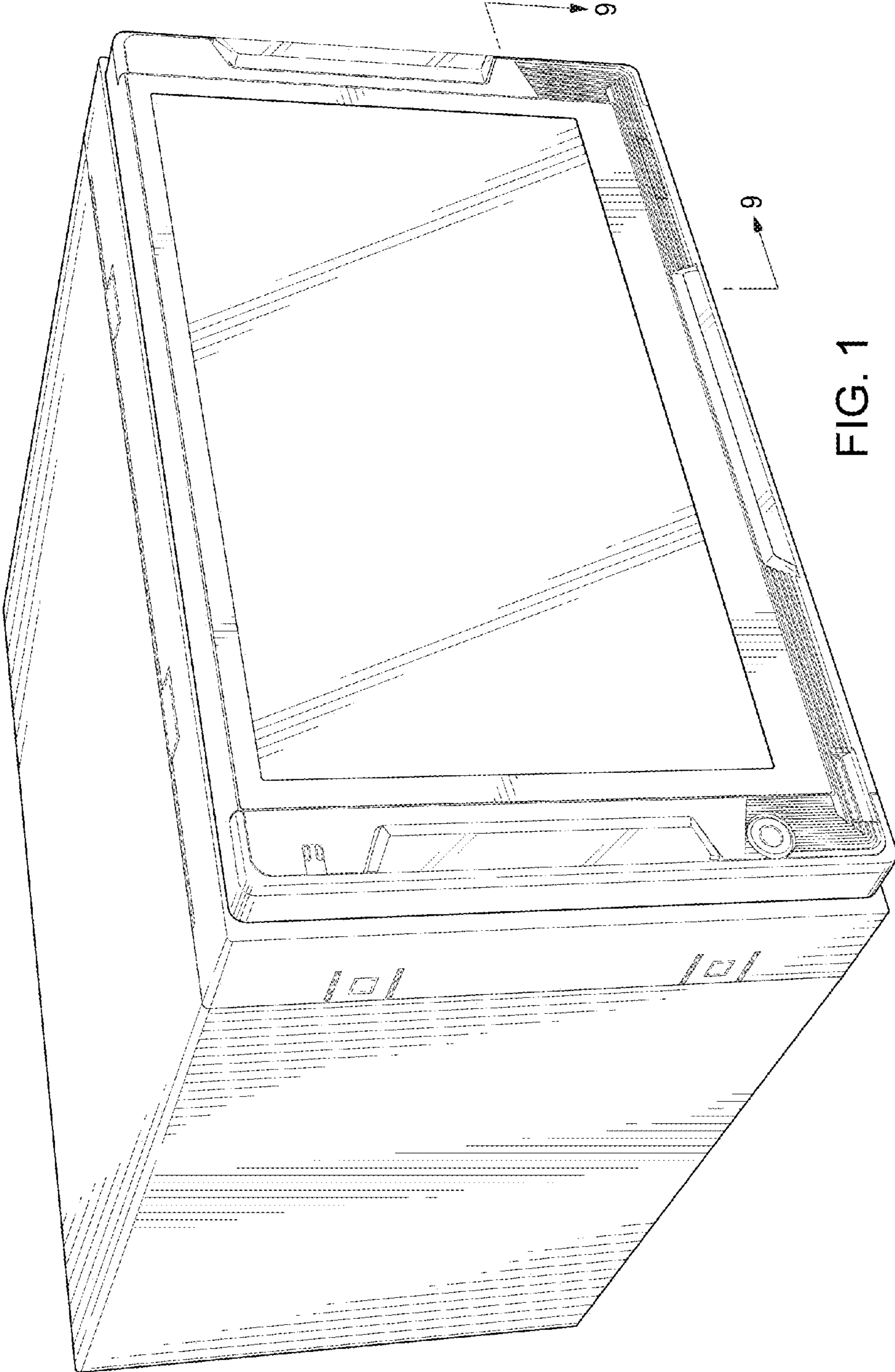


FIG. 1

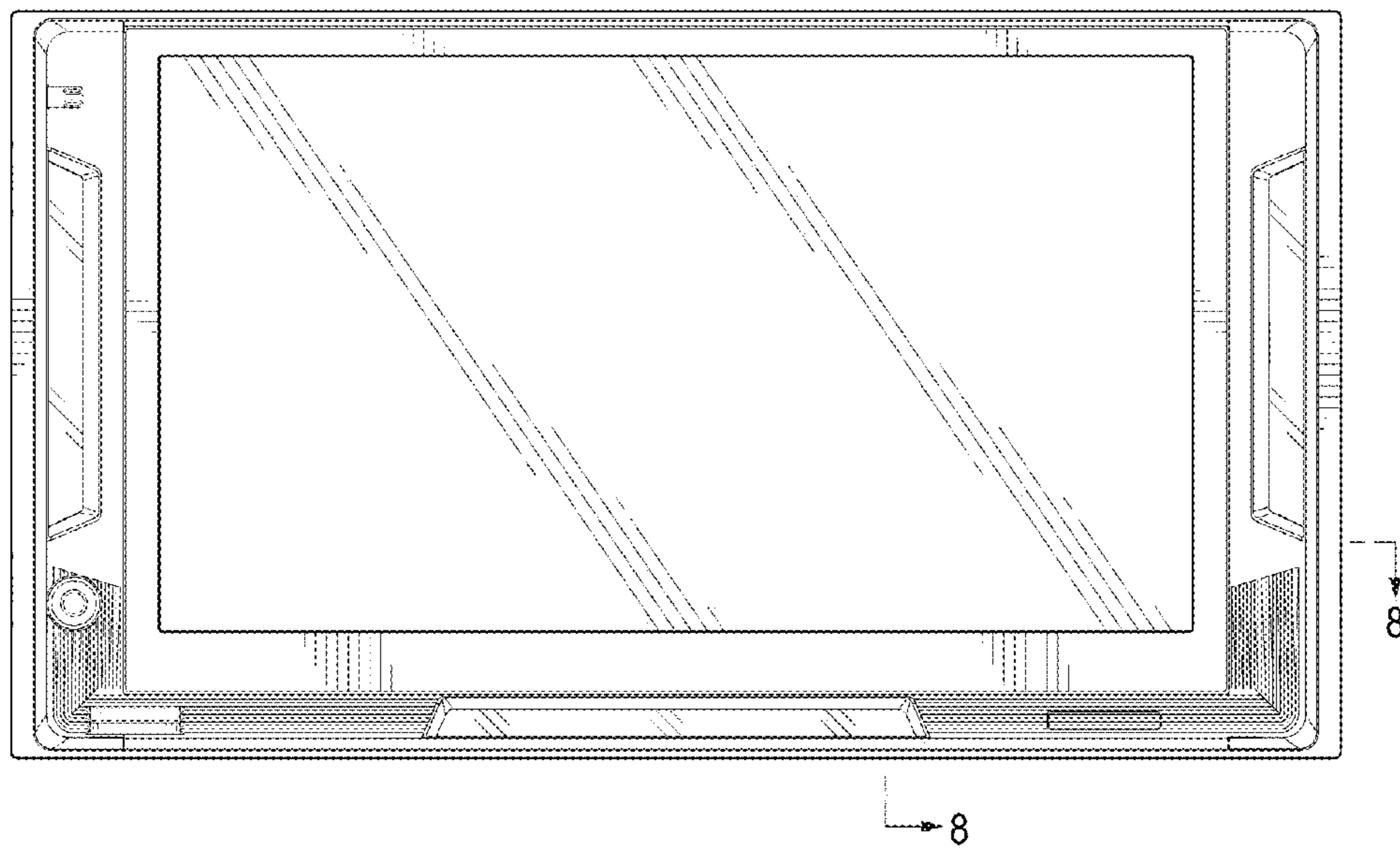


FIG. 2

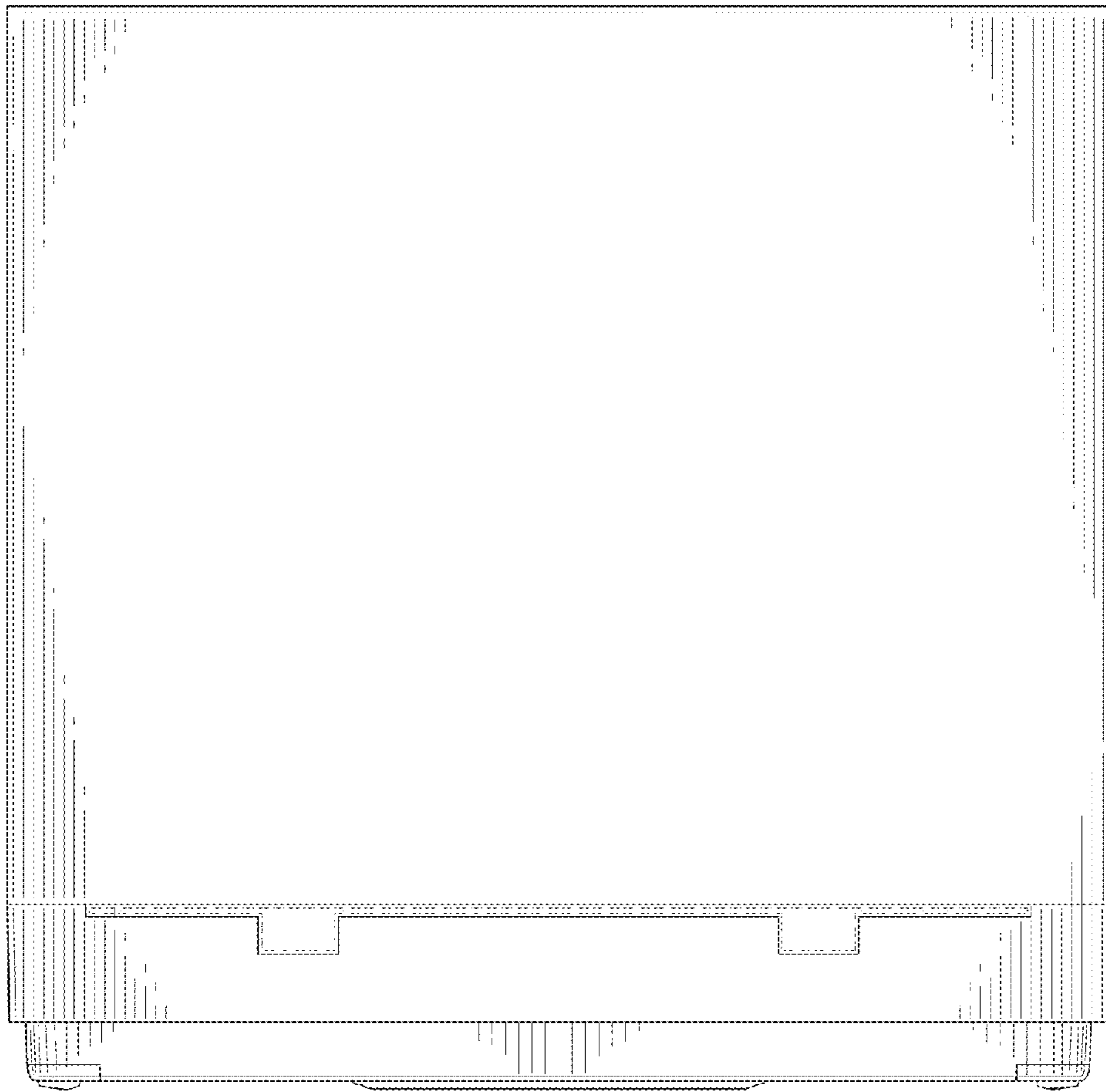


FIG. 3

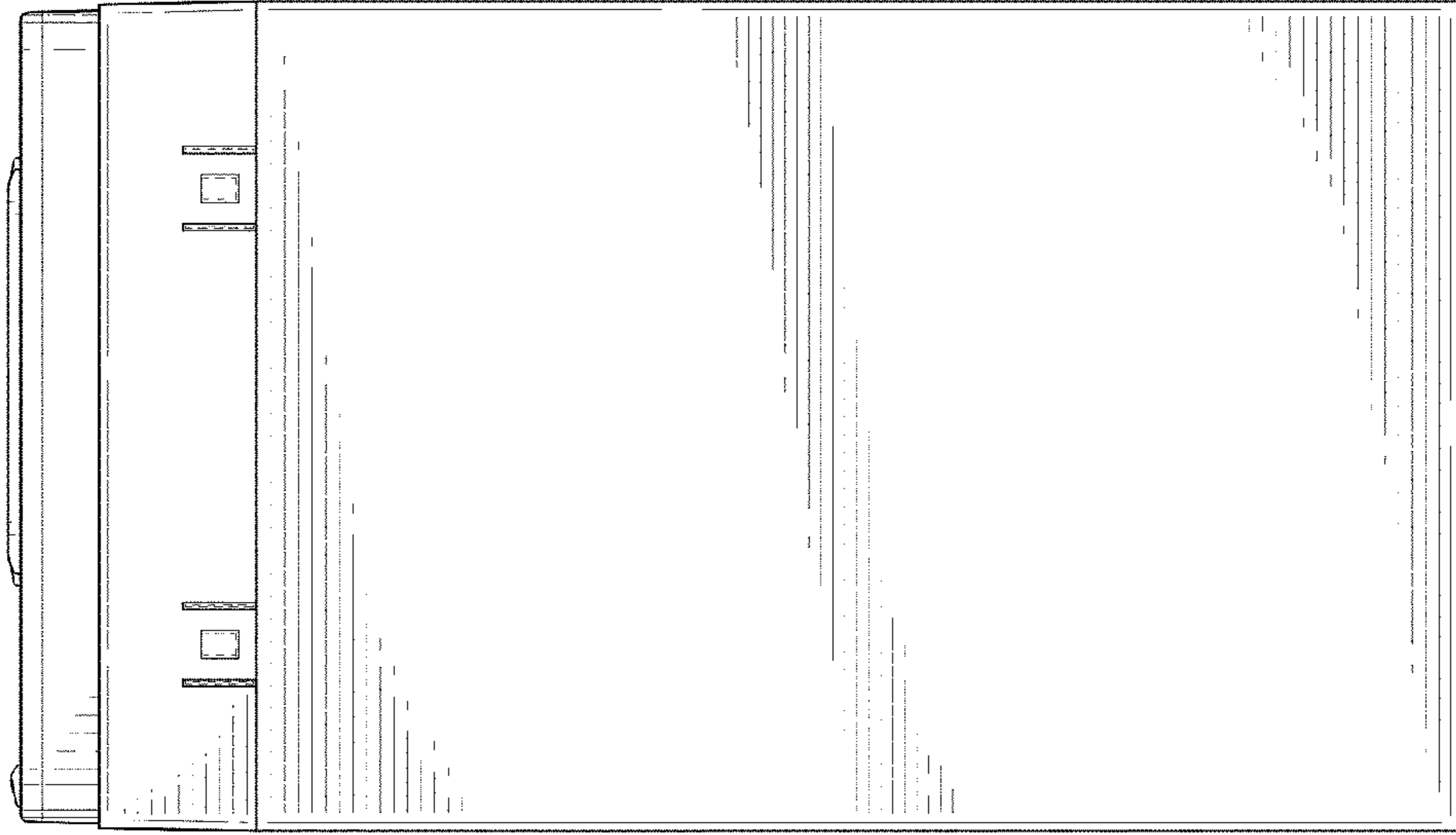


FIG. 4

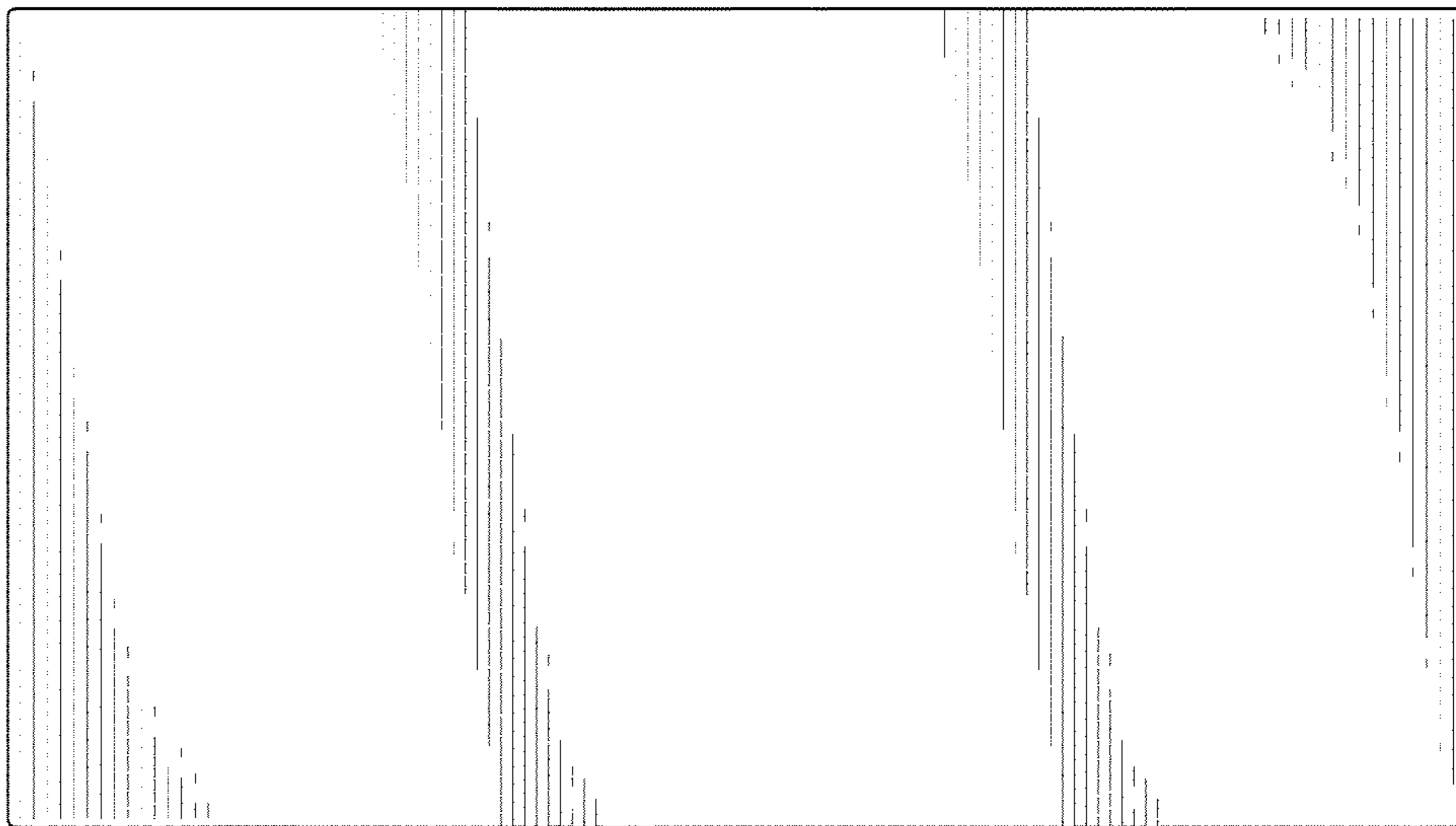


FIG. 5

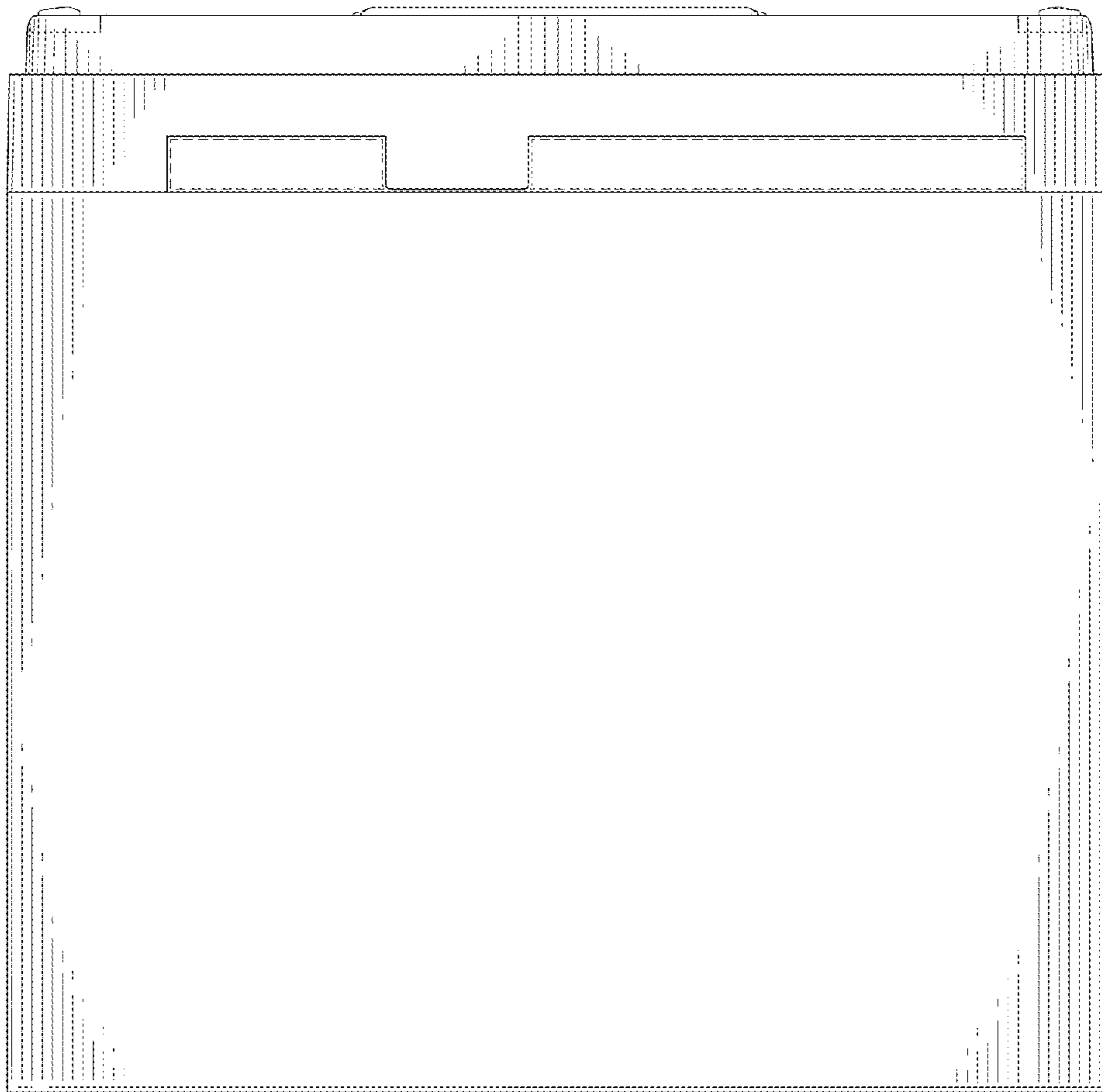


FIG. 6

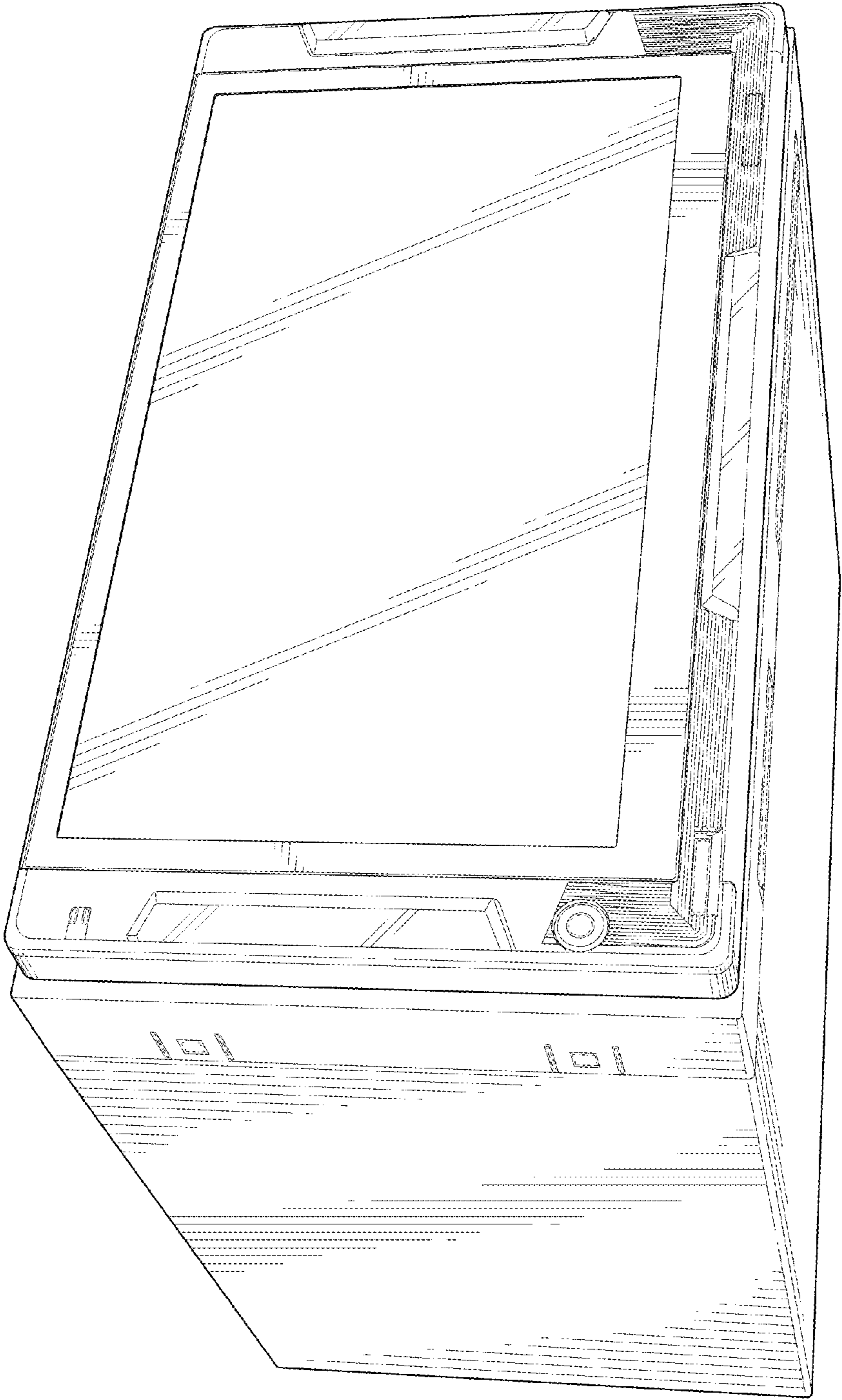


FIG. 7

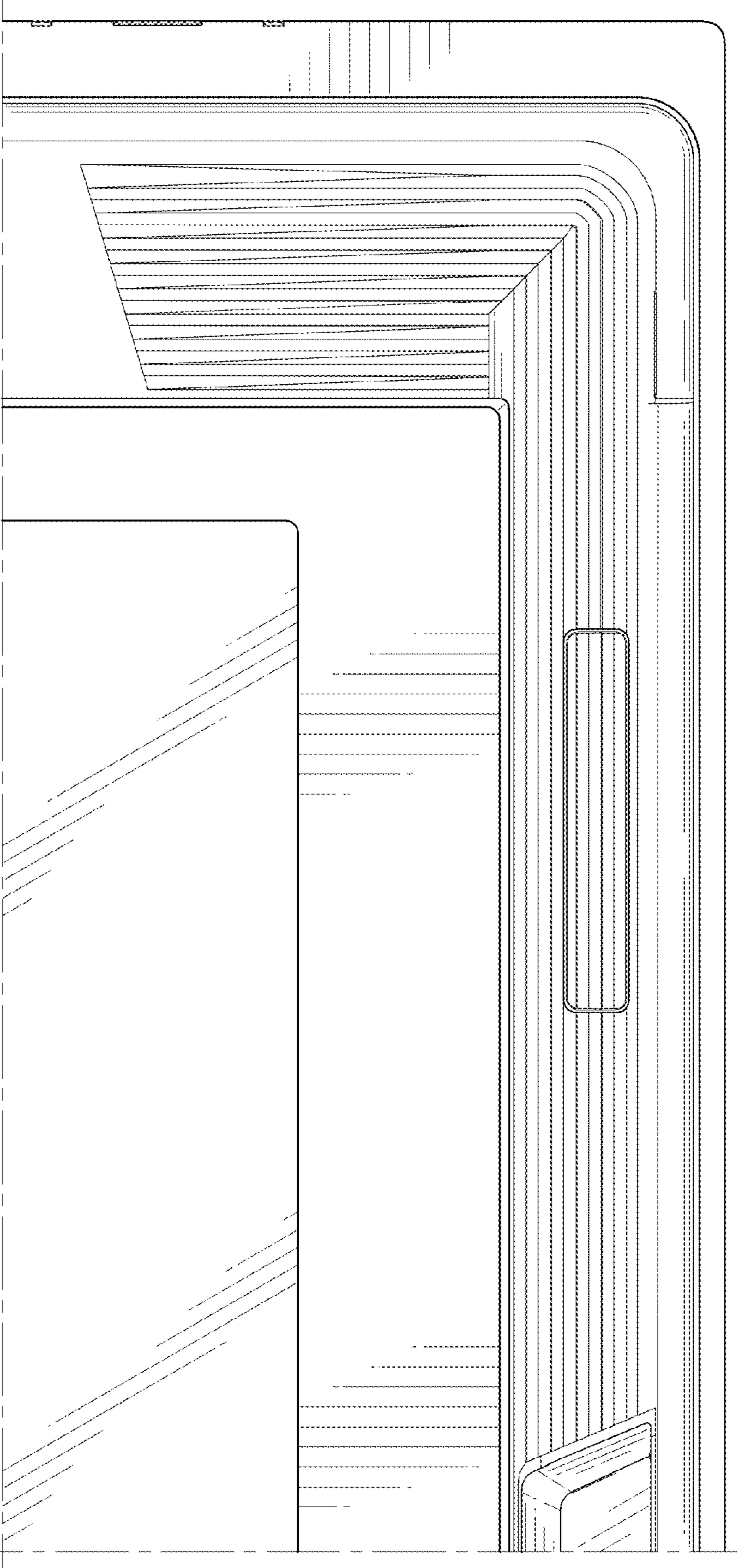


FIG. 8

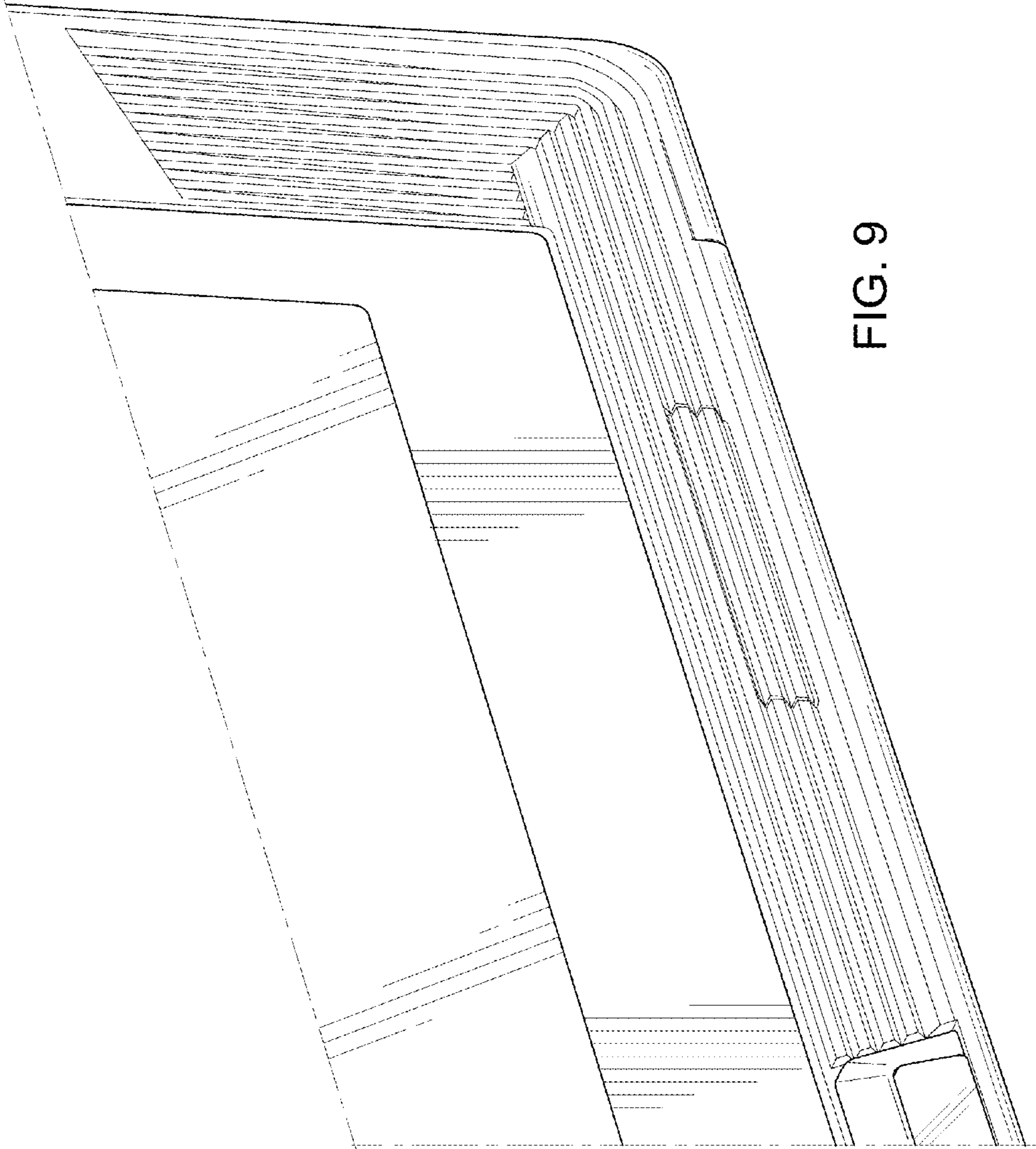


FIG. 9