



US00D709462S

(12) **United States Design Patent**  
**Arioka et al.**

(10) **Patent No.:** **US D709,462 S**  
(45) **Date of Patent:** **\*\* Jul. 22, 2014**

(54) **CASE FOR VACUUM CIRCUIT BREAKER**

(71) Applicant: **Mitsubishi Electric Corporation,**  
Tokyo (JP)

(72) Inventors: **Masahiro Arioka,** Chiyoda-Ku (JP);  
**Tomotaka Yano,** Chiyoda-Ku (JP);  
**Kyoichi Otsuka,** Chiyoda-Ku (JP);  
**Satoru Yoshida,** Chiyoda-Ku (JP);  
**Taehyun Kim,** Chiyoda-Ku (JP); **Koji**  
**Sano,** Chiyoda-Ku (JP); **Yuta**  
**Nakayama,** Chiyoda-Ku (JP)

(73) Assignee: **Mitsubishi Electric Corporation,**  
Tokyo (JP)

(\*\*) Term: **14 Years**

(21) Appl. No.: **29/432,742**

(22) Filed: **Sep. 20, 2012**

(30) **Foreign Application Priority Data**

Mar. 23, 2012 (JP) ..... 2012-006597

(51) **LOC (10) Cl.** ..... **13-03**

(52) **U.S. Cl.**  
USPC ..... **D13/160**

(58) **Field of Classification Search**  
USPC ..... D13/158, 160, 120, 190, 199, 184;  
218/154, 134, 158, 140  
See application file for complete search history.

(56) **References Cited**

**U.S. PATENT DOCUMENTS**

5,717,185 A \* 2/1998 Smith ..... 218/154  
5,808,258 A \* 9/1998 Luzzi ..... 218/136  
5,864,942 A \* 2/1999 Luzzi ..... 29/622  
6,545,241 B1 \* 4/2003 Franchi et al. .... 218/78

6,747,234 B2 \* 6/2004 Traska et al. .... 218/134  
6,759,616 B2 \* 7/2004 Rokunohe et al. .... 218/2  
6,794,596 B2 \* 9/2004 Rhein et al. .... 218/154  
6,888,086 B2 \* 5/2005 Daharsh et al. .... 218/155  
7,148,441 B2 \* 12/2006 Daharsh et al. .... 218/136  
D558,149 S \* 12/2007 Ruemenapp ..... D13/160  
7,501,598 B2 \* 3/2009 Stepniak et al. .... 218/120  
7,579,572 B2 \* 8/2009 Stepniak et al. .... 218/155  
8,110,770 B2 \* 2/2012 Ichikawa et al. .... 218/134  
D658,133 S \* 4/2012 Shang et al. .... D13/158  
D658,589 S \* 5/2012 Shang et al. .... D13/158  
D660,253 S \* 5/2012 Gentsch ..... D13/158  
8,440,913 B2 \* 5/2013 Stull et al. .... 174/161 R  
8,440,930 B2 \* 5/2013 Lee ..... 218/140

**OTHER PUBLICATIONS**

GFZ02-12 Vacuum Interrupter Housing of 1250-1600A, no post date information, site visited Nov. 29, 2013, [online], 1999-2013 Alibaba.com Hong Kong Limited and licensors, [http://www.alibaba.com/product-gs/521710924/GFZ02\\_12\\_Vacuum\\_In.\\*](http://www.alibaba.com/product-gs/521710924/GFZ02_12_Vacuum_In.*)

(Continued)

*Primary Examiner* — Deanna L Pratt

*Assistant Examiner* — Harold Blackwell, II

(74) *Attorney, Agent, or Firm* — Sughrue Mion, PLLC

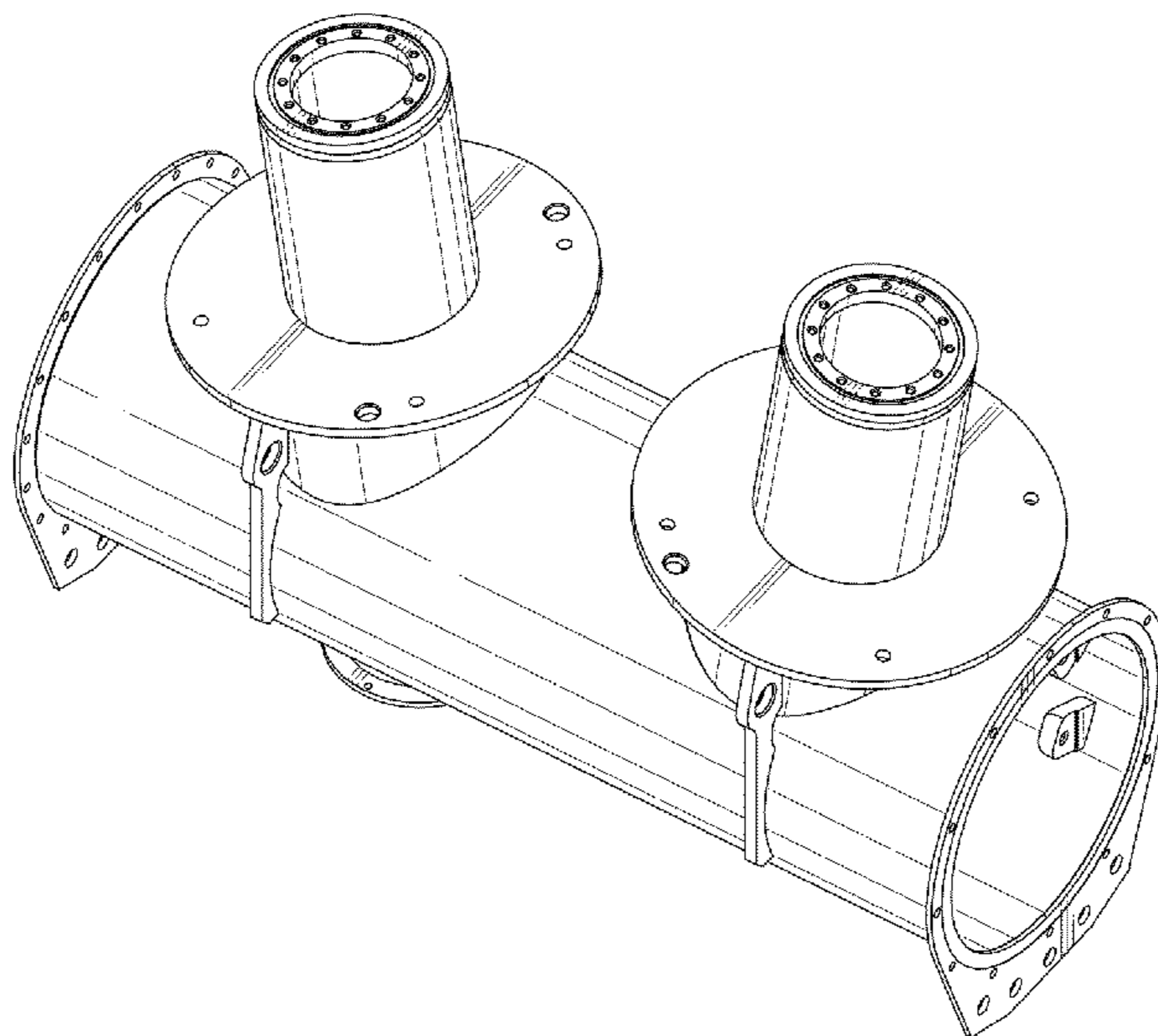
(57) **CLAIM**

The ornamental design for a case for vacuum circuit breaker, as shown and described.

**DESCRIPTION**

FIG. 1 is a front, top and right side perspective view of a case for vacuum circuit breaker, showing our new design;  
FIG. 2 is a front elevational view thereof;  
FIG. 3 is a left side elevational view thereof;  
FIG. 4 is a top plan view thereof;  
FIG. 5 is a bottom plan view thereof; and,  
FIG. 6 is a cross-sectional view thereof; taken along line 6-6 of FIG. 3.

**1 Claim, 5 Drawing Sheets**



(56)

**References Cited**

OTHER PUBLICATIONS

Vacuum Circuit Breaker Housing product search results on alibaba.com, no post date information, site visited Nov. 29, 2013, [online],

1999-2013 Alibaba.com Hong Kong Limited and licensors, [http://www.alibaba.com/trade/search?fsb=y&IndexArea=product\\_en&CatId=&SearchText=vacuum+circuit+breaker+housin.\\*](http://www.alibaba.com/trade/search?fsb=y&IndexArea=product_en&CatId=&SearchText=vacuum+circuit+breaker+housin.*)

\* cited by examiner

Fig. 1

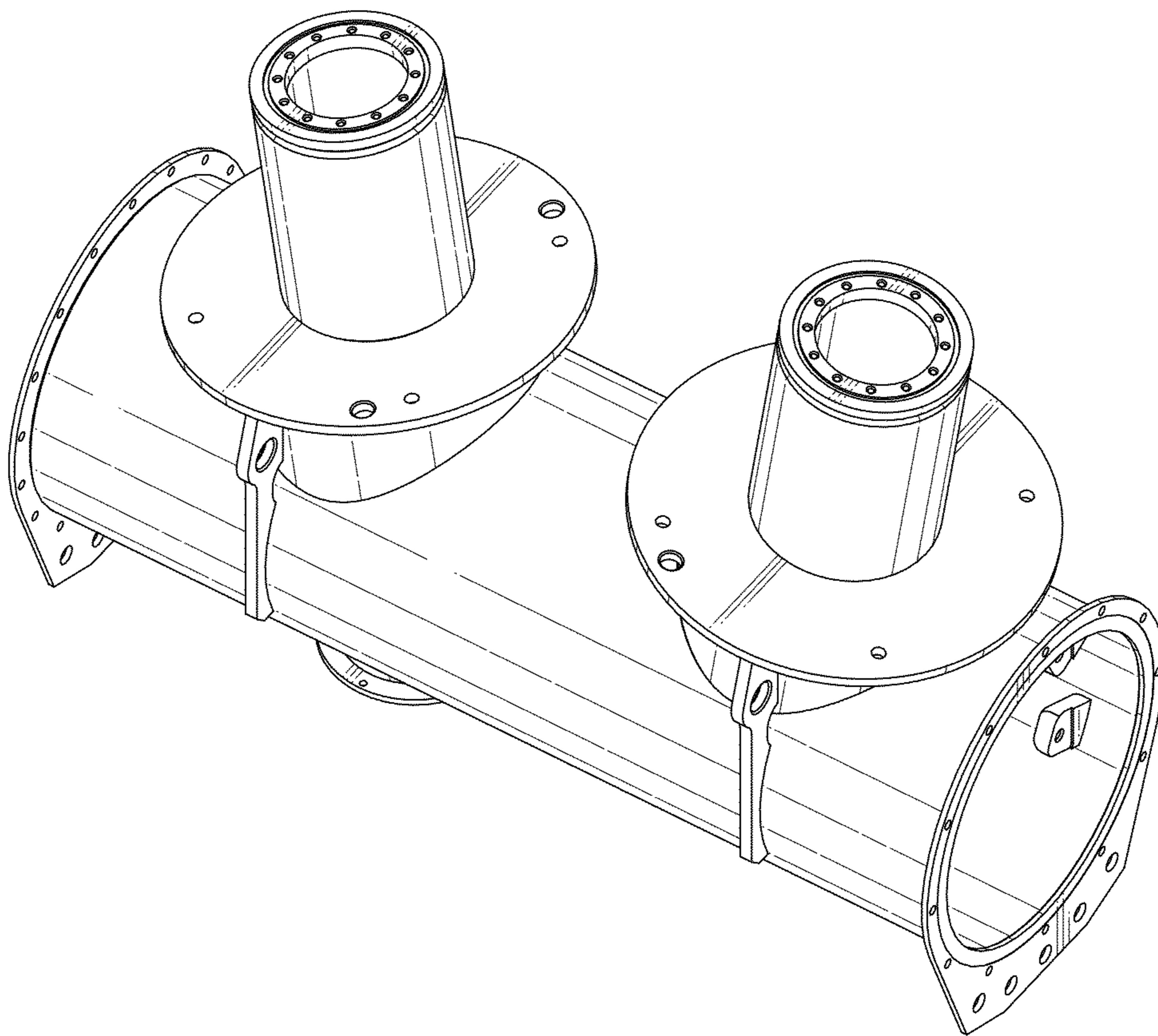


Fig. 2

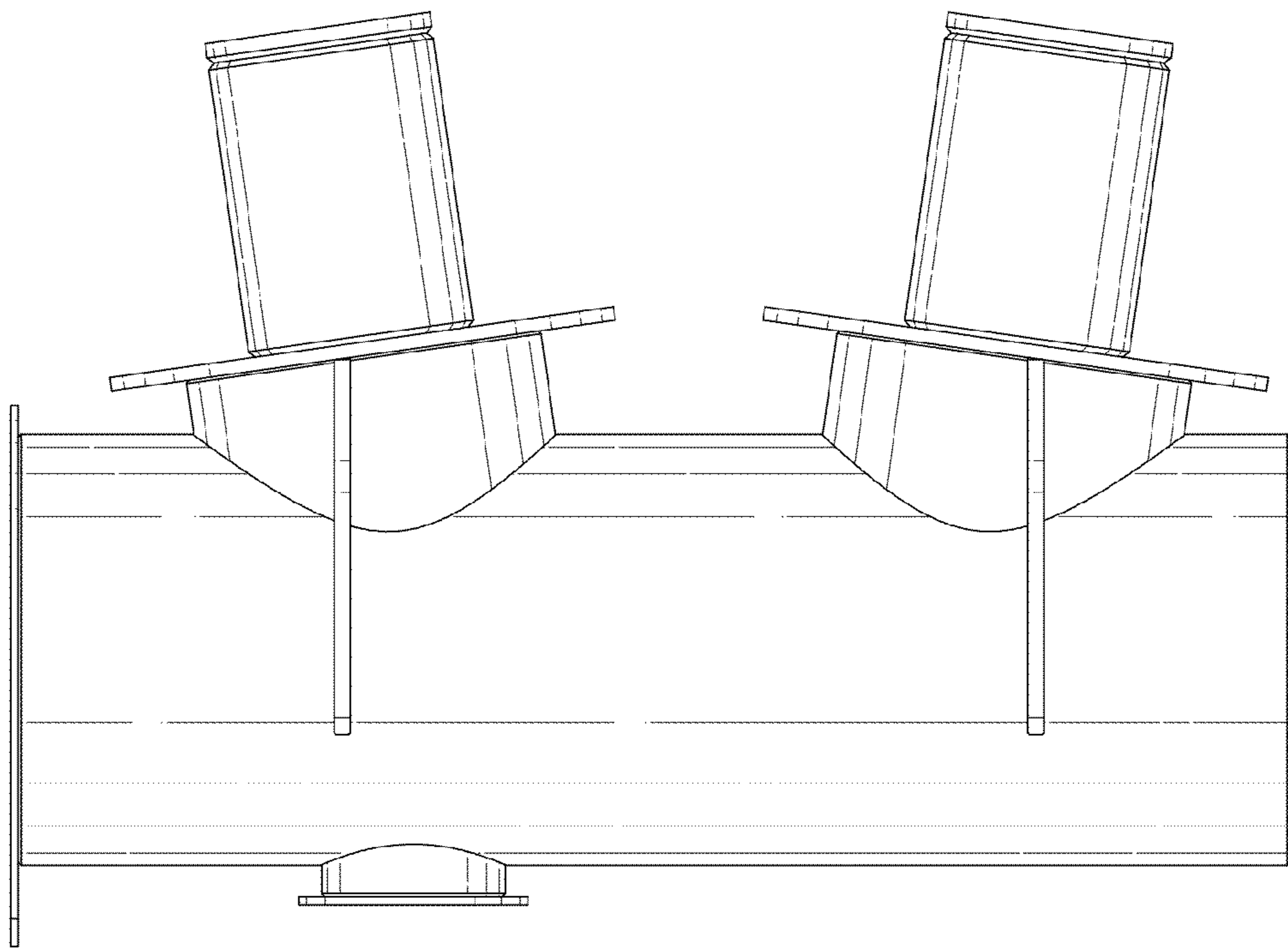


Fig. 3

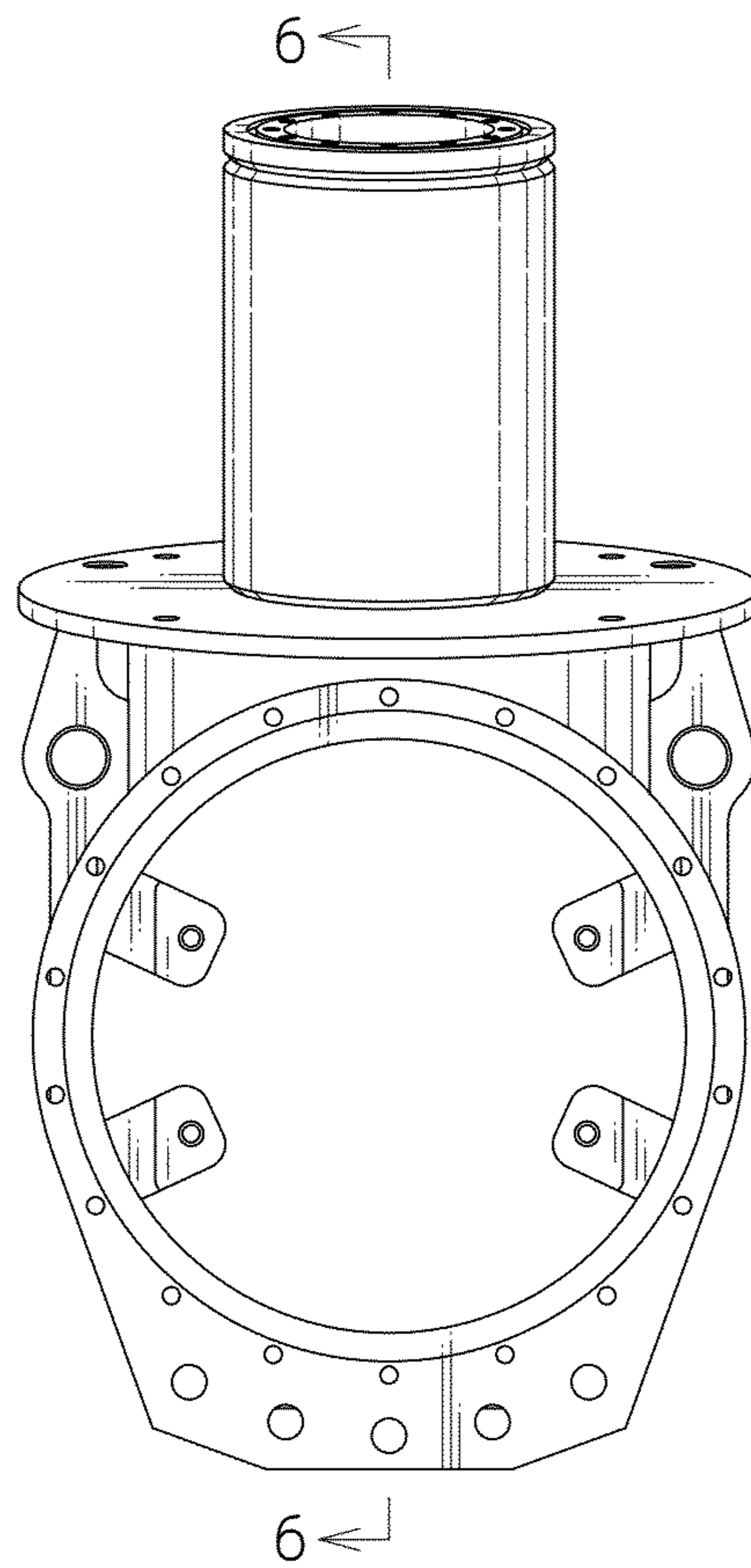


Fig. 4

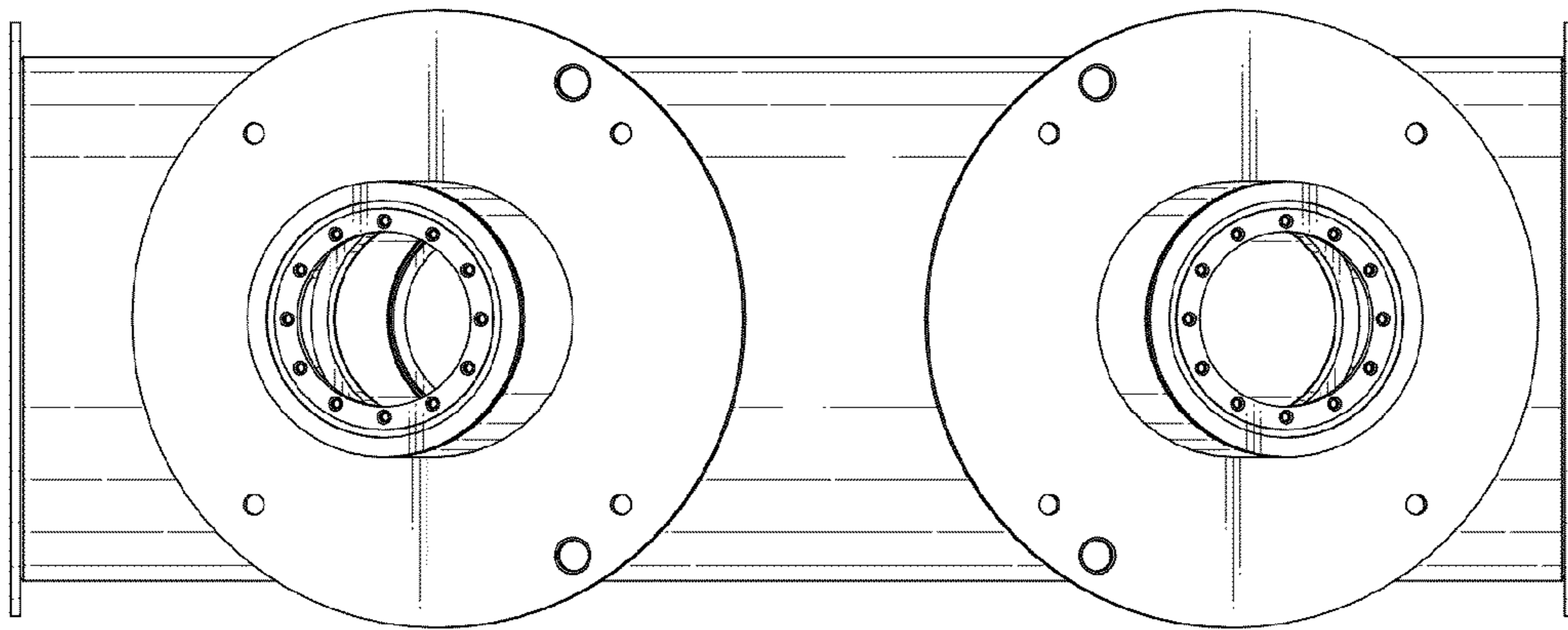


Fig. 5

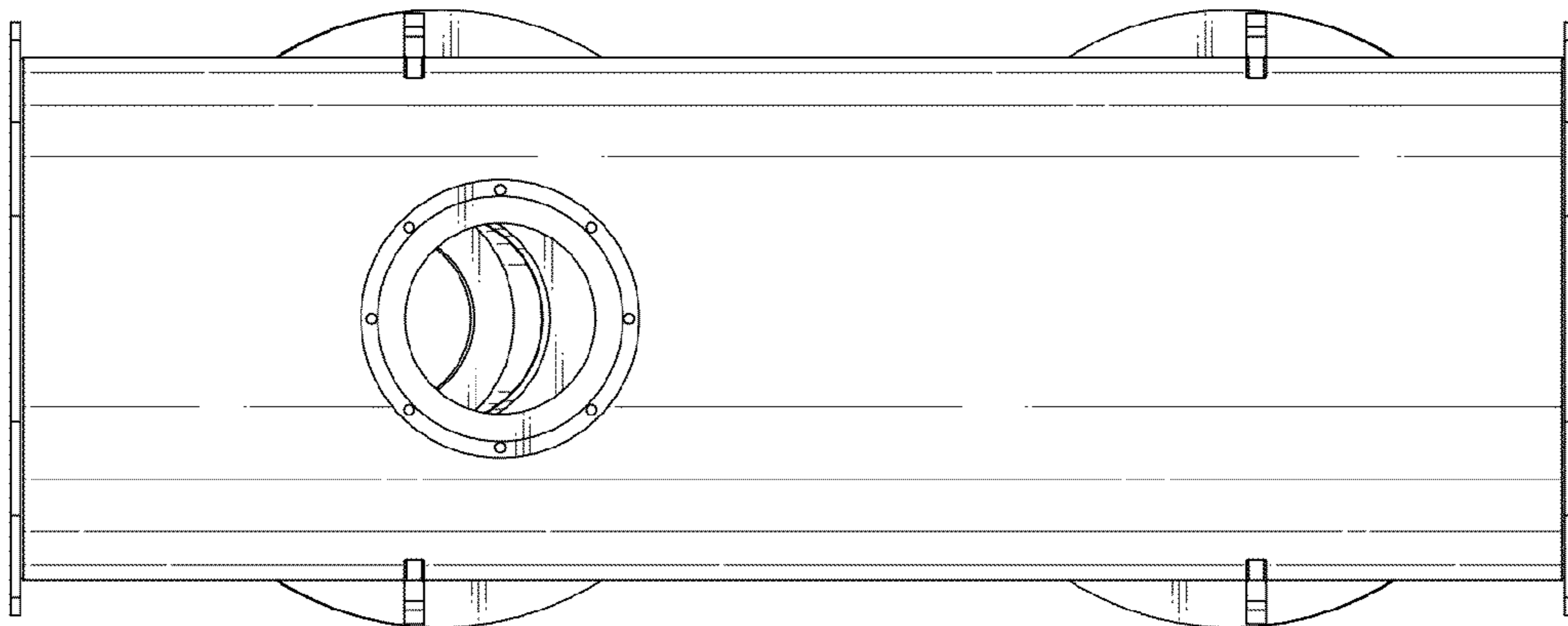


Fig. 6

