



US00D709461S

(12) **United States Design Patent**
Dahl et al.

(10) **Patent No.:** **US D709,461 S**

(45) **Date of Patent:** **** Jul. 22, 2014**

(54) **RECEPTACLE COVER**

D596,154 S * 7/2009 Rivkin D14/140.5
D605,139 S * 12/2009 Moore D13/156
D629,366 S * 12/2010 Ericson et al. D13/156

(71) Applicant: **Trystar, Inc.**, Faribault, MN (US)

* cited by examiner

(72) Inventors: **Frederick Alan Dahl**, Dundas, MN (US); **James Jerome Koberg**, Morristown, MN (US); **Brian Allen Amacher**, Faribault, MN (US)

Primary Examiner — Derrick Holland

(74) *Attorney, Agent, or Firm* — Fredrikson & Byron, P.A.

(73) Assignee: **Trystar, Inc.**, Fairbault, MN (US)

(57) **CLAIM**

We claim the ornamental design for a receptacle cover, as shown and described.

(**) Term: **14 Years**

DESCRIPTION

(21) Appl. No.: **29/475,446**

FIG. 1 is a perspective of our new design for a receptacle cover;

(22) Filed: **Dec. 3, 2013**

FIG. 2 is left side view thereof;

(51) **LOC (10) Cl.** **13-03**

FIG. 3 is a front view thereof;

(52) **U.S. Cl.**

FIG. 4 is a right side view thereof;

USPC **D13/156**

FIG. 5 is a top view thereof;

(58) **Field of Classification Search**

FIG. 6 is a rear view thereof;

USPC D13/156, 133, 146, 152, 154, 155, 158, D13/160, 173, 184, 199; 174/50, 53–55, 174/58–60, 64, 66, 67, 480, 481; 206/305, 206/701, 702; 220/3.2, 3.3, 3.7–3.9, 241, 220/242; 439/180, 252, 269.1, 278, 374, 439/378, 527, 529, 533, 892, 894, 901; 73/204.22

FIG. 7 is a bottom view thereof;

See application file for complete search history.

FIG. 8 is another perspective view thereof, shown in an open condition;

(56) **References Cited**

U.S. PATENT DOCUMENTS

D227,989 S * 7/1973 Geisel D13/156
4,176,758 A * 12/1979 Glick 220/3.3
D476,628 S * 7/2003 Millar D13/158
6,708,834 B2 * 3/2004 Hagerman, III 220/4.02
7,170,015 B1 * 1/2007 Roesch et al. 174/480
D539,229 S * 3/2007 Murphey D13/155

FIG. 9 is a perspective of another embodiment of our new design for a receptacle cover, wherein the receptacle cover is transparent;

FIG. 10 is left side view thereof;

FIG. 11 is a front view thereof;

FIG. 12 is a right side view thereof;

FIG. 13 is a top view thereof;

FIG. 14 is a rear view thereof;

FIG. 15 is a bottom view thereof; and,

FIG. 16 is another perspective view thereof, shown in an open condition.

The broken lines shown represent unclaimed subject matter and form no part of the claimed design.

1 Claim, 10 Drawing Sheets

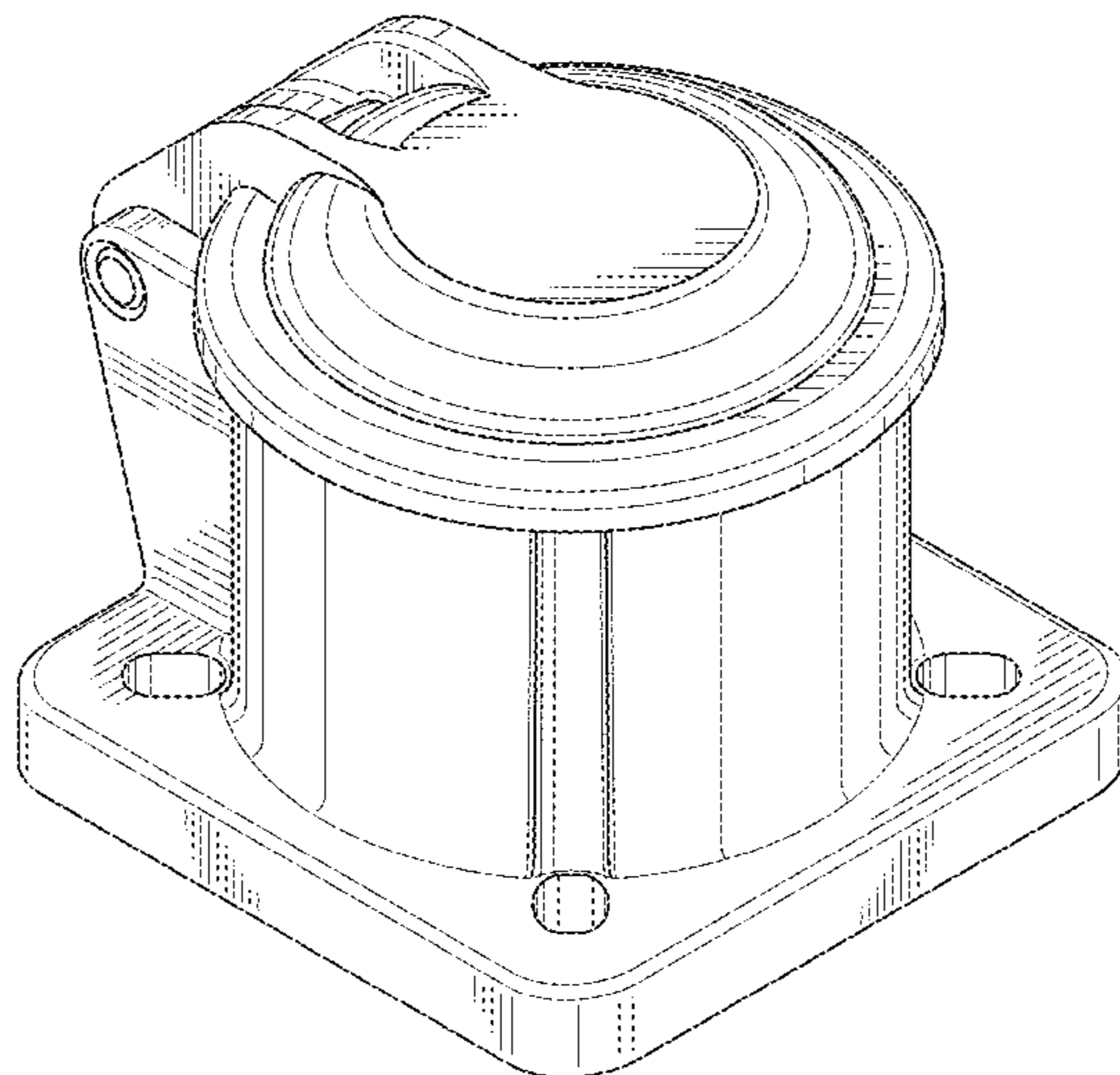


Fig. 1

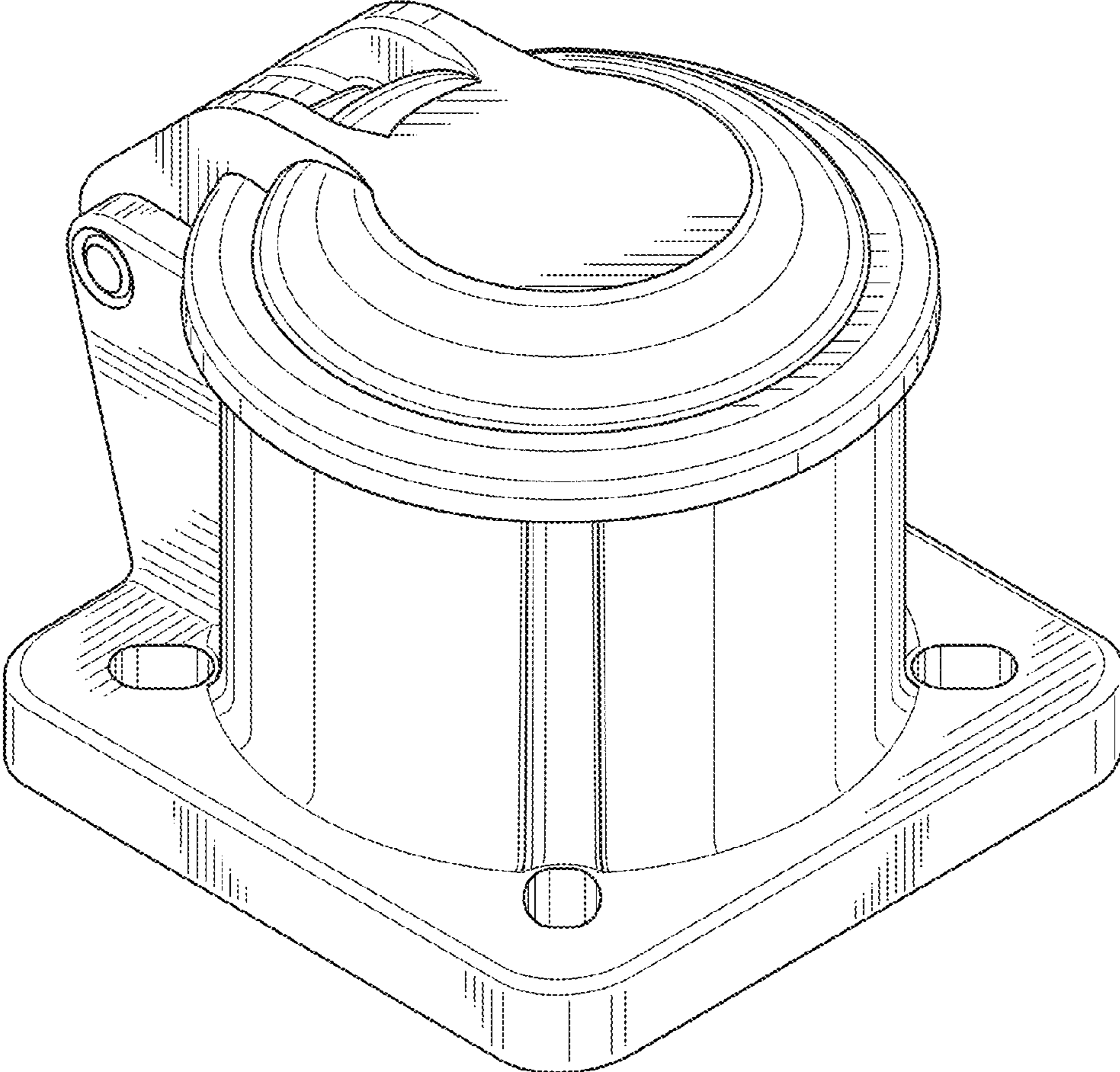


Fig. 2

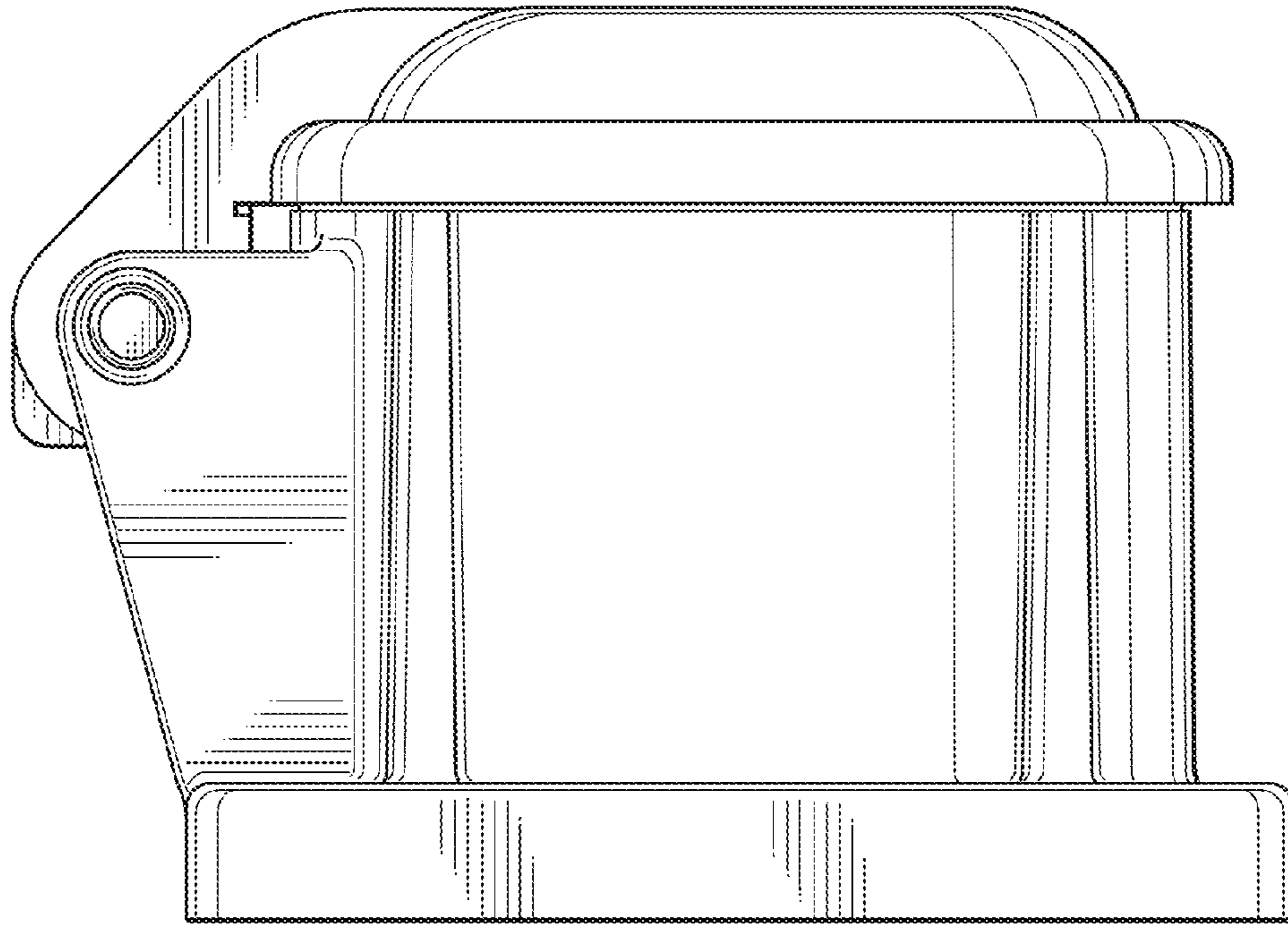


Fig. 3

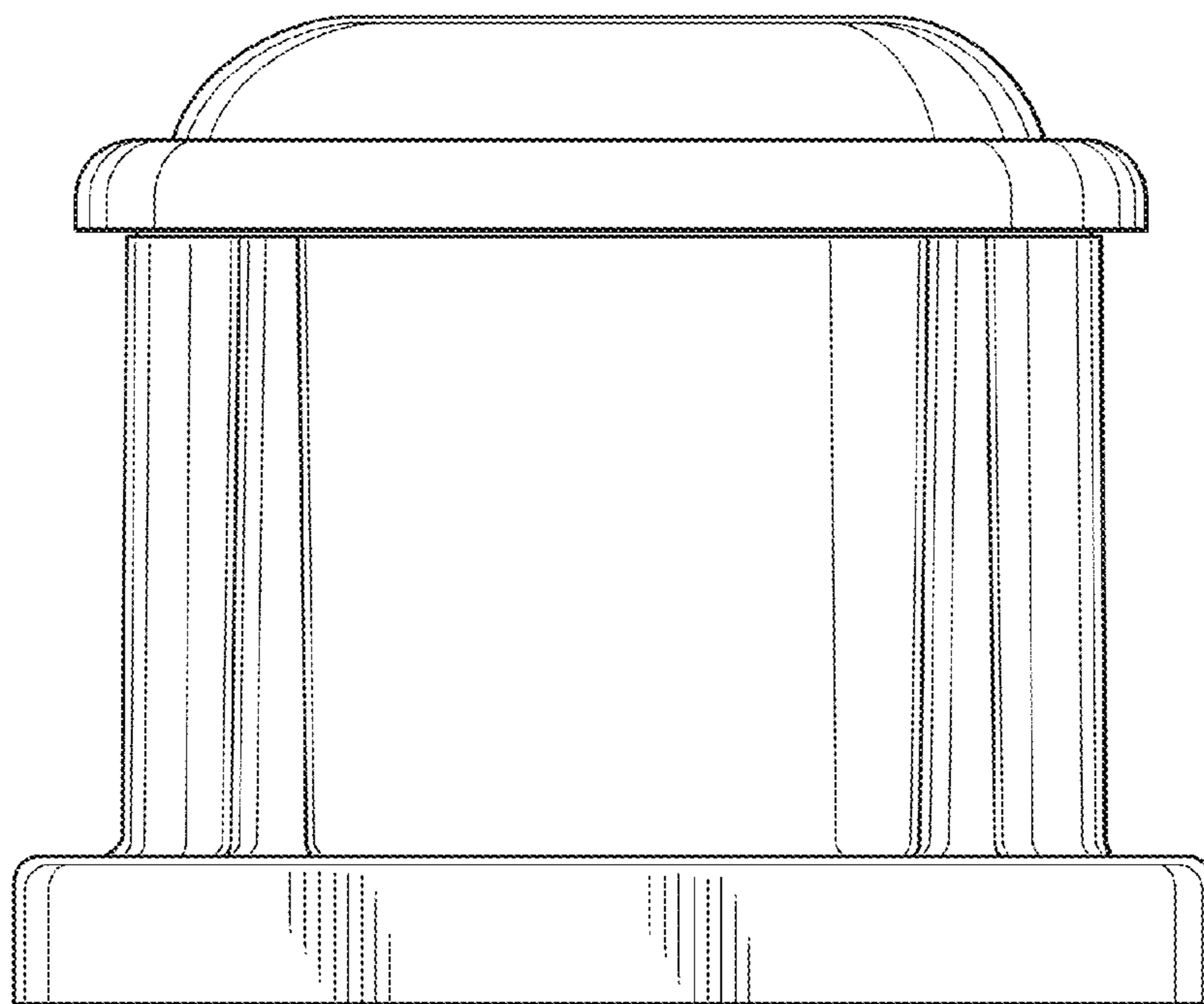


Fig. 4

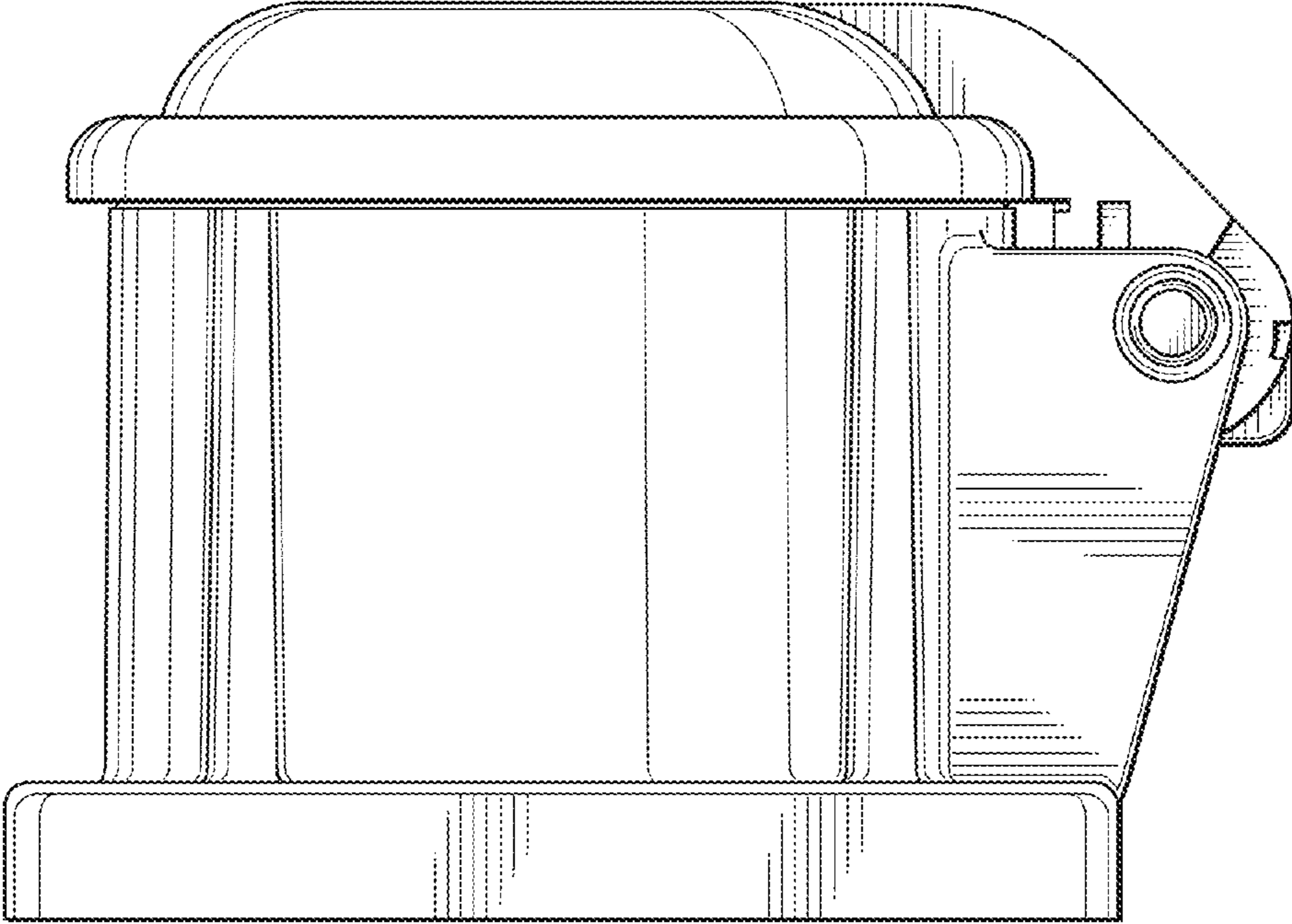


Fig. 5

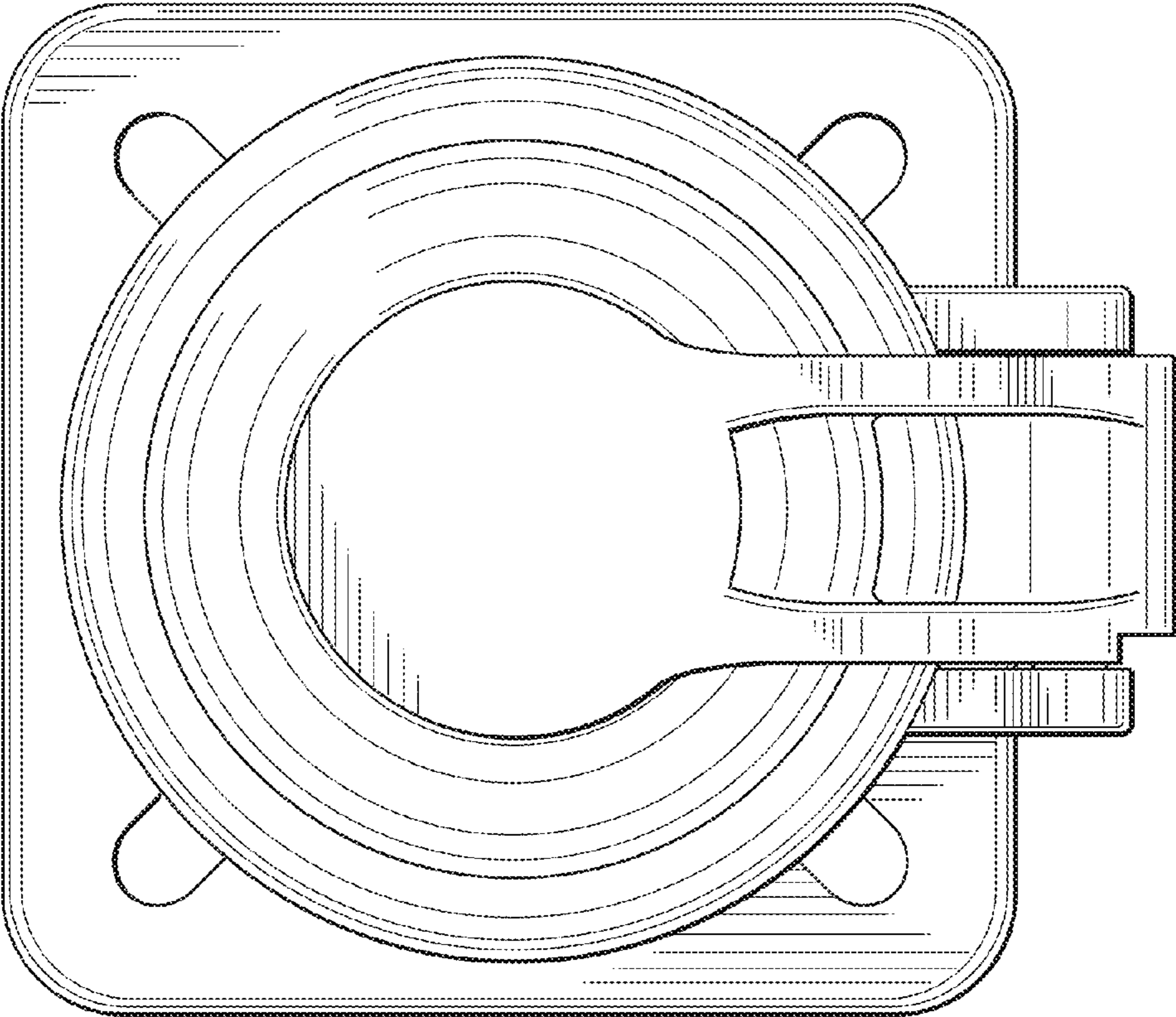


Fig. 6

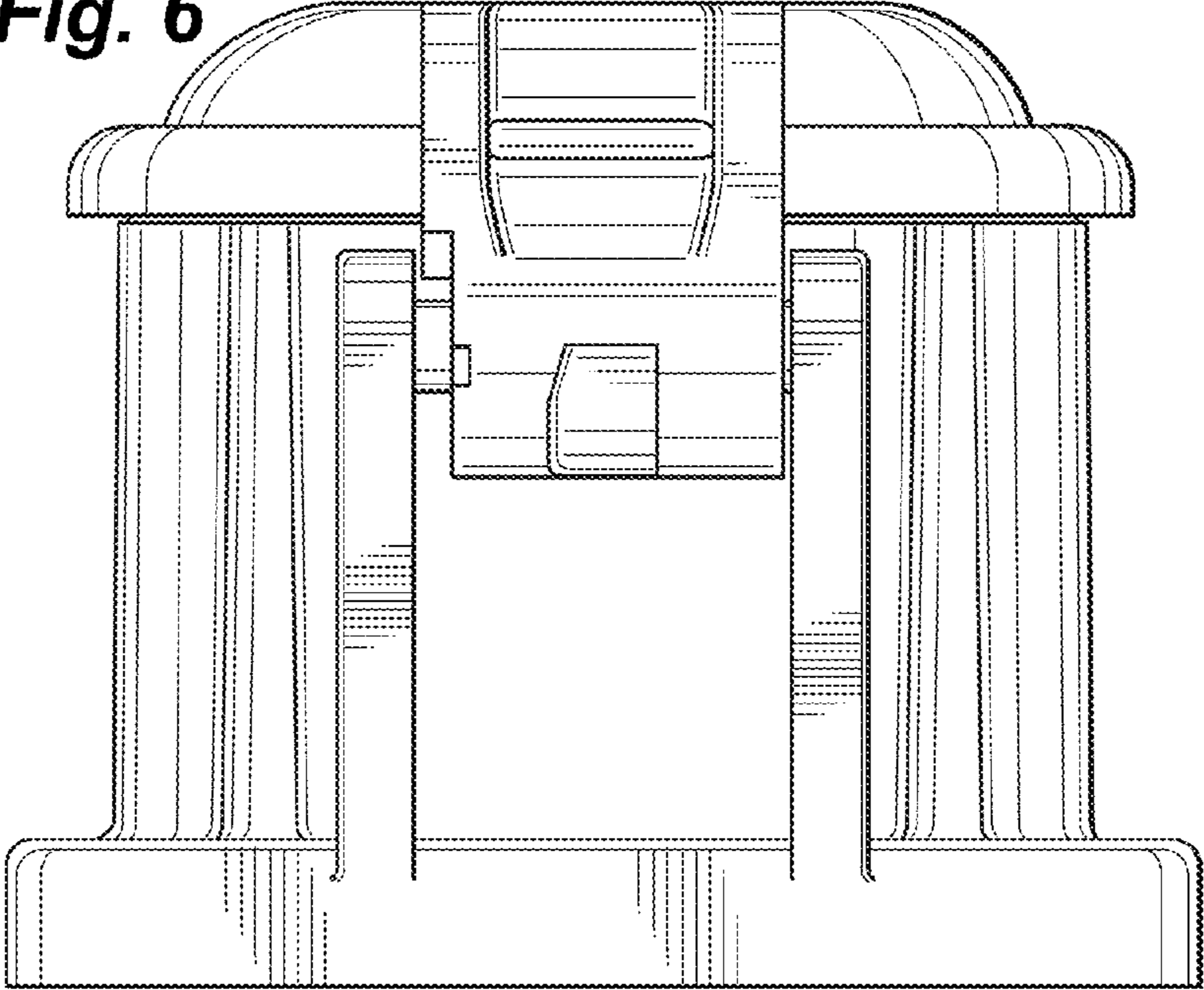


Fig. 7

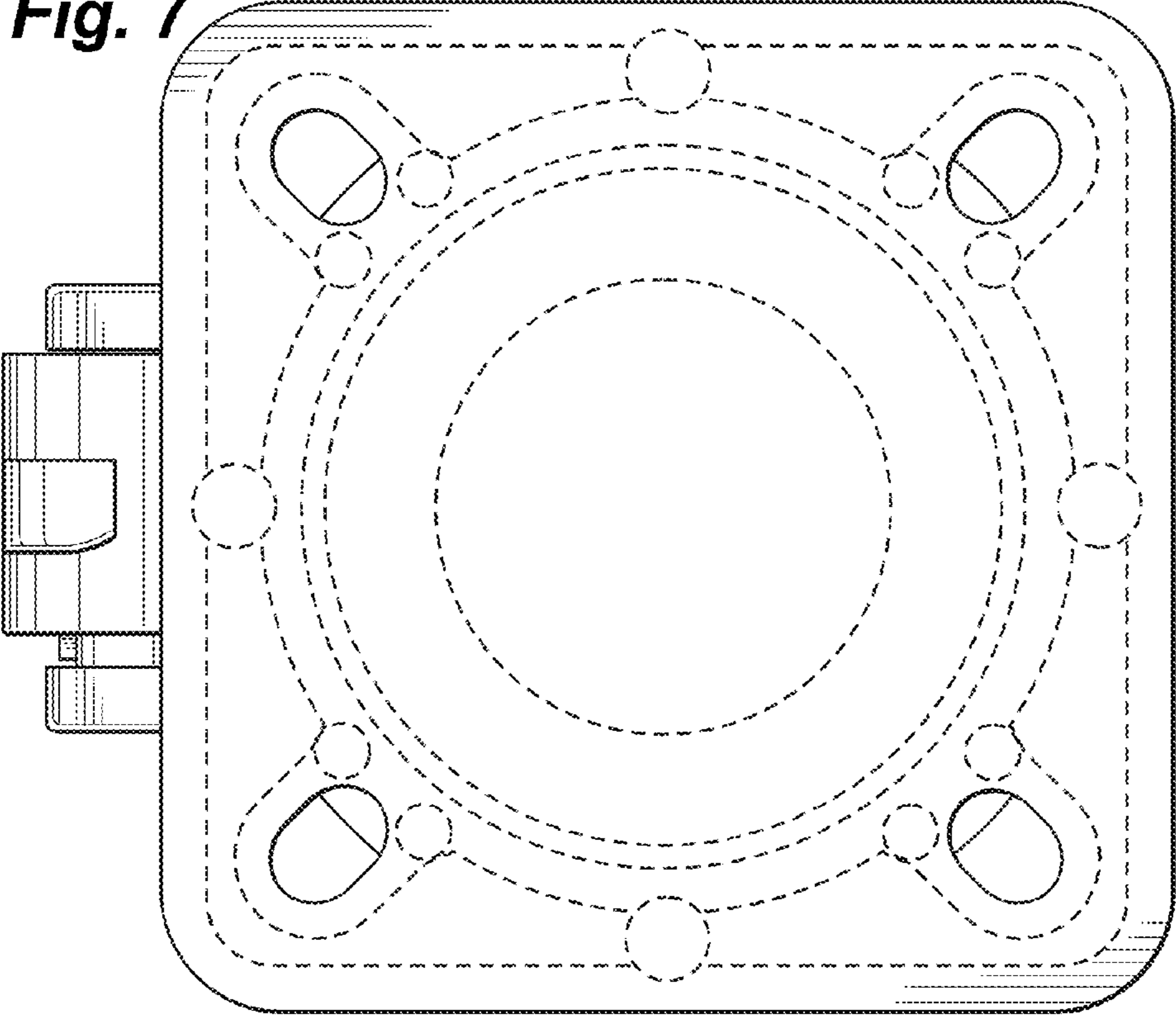


Fig. 8

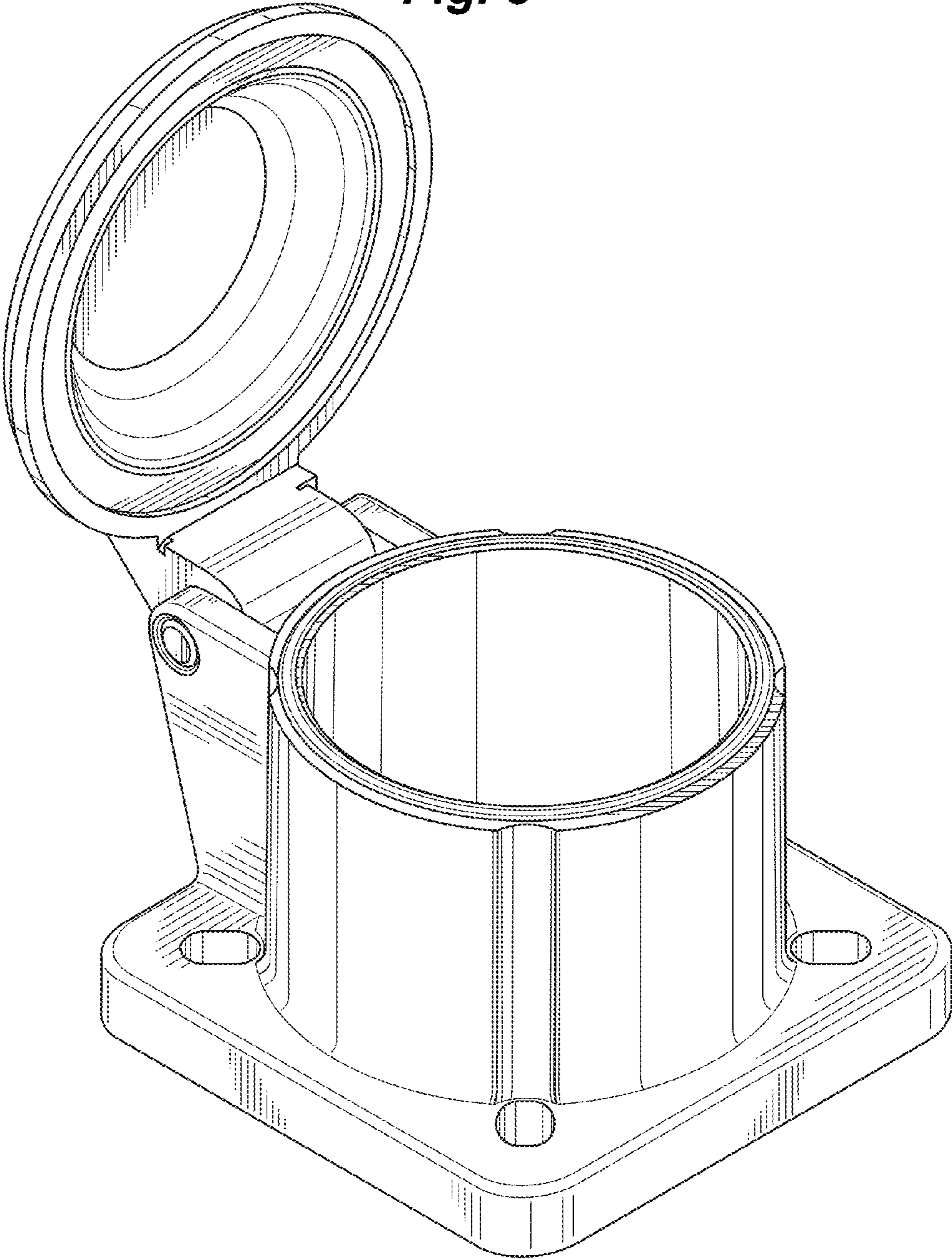


Fig. 9

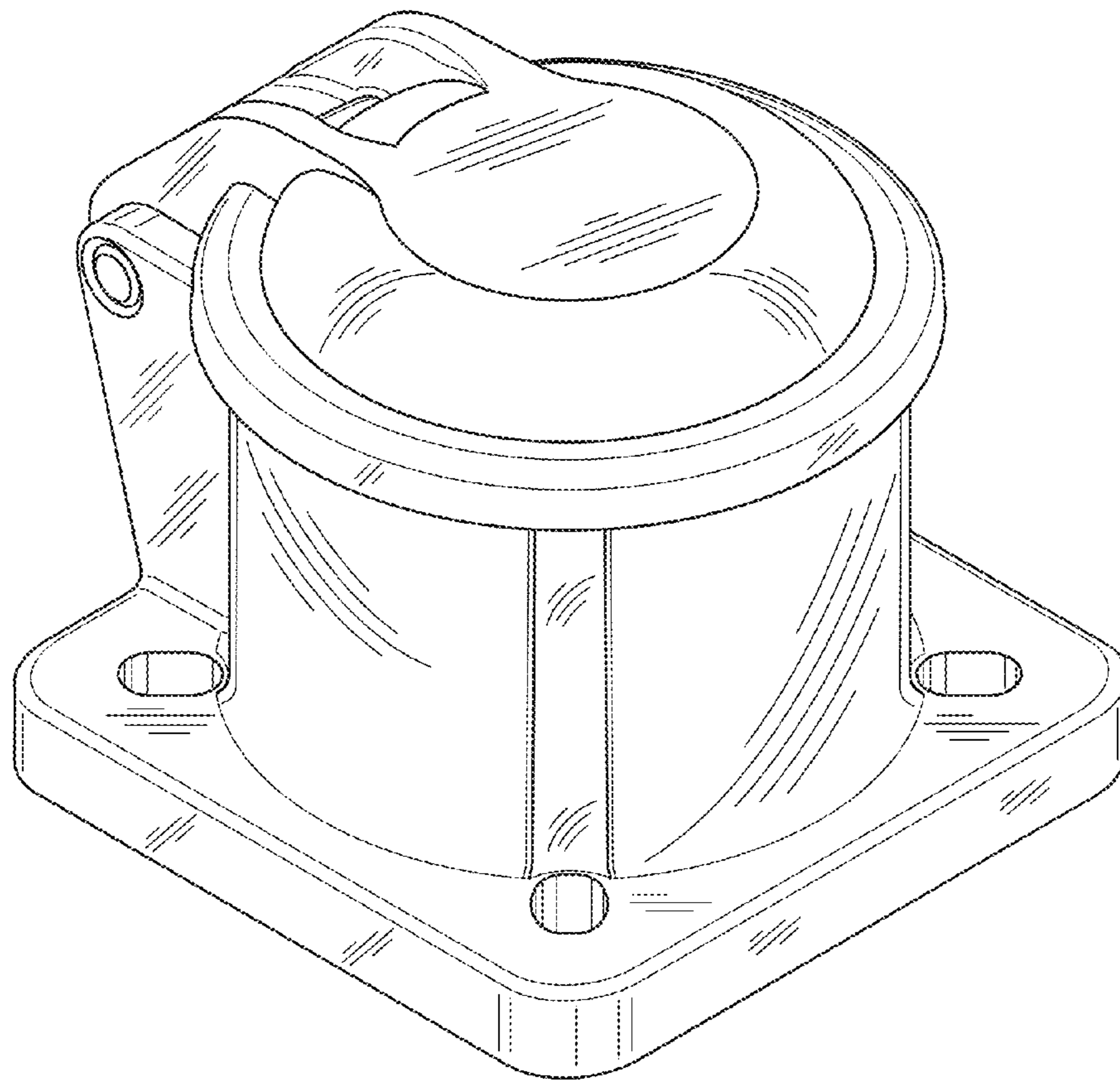


Fig. 10

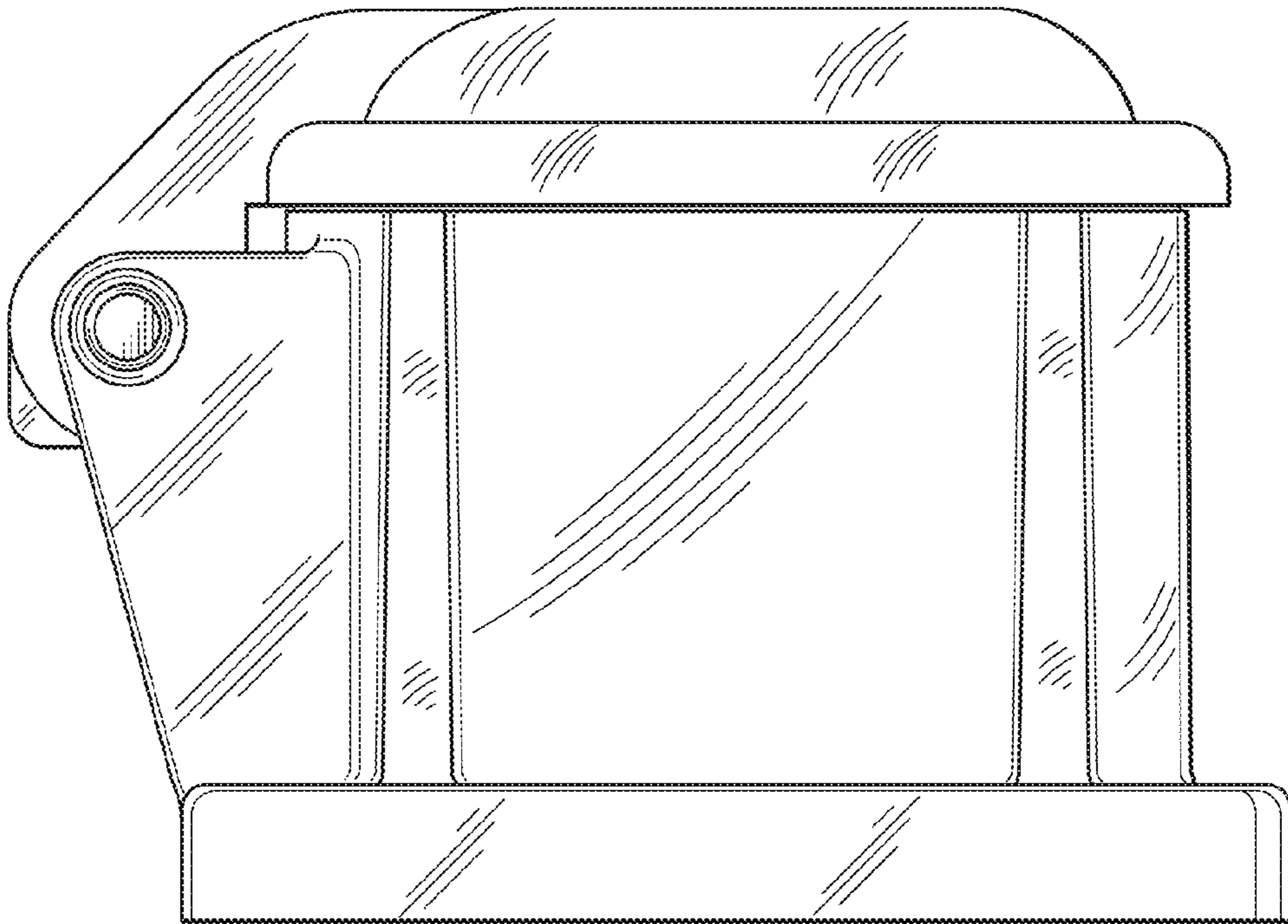


Fig. 11

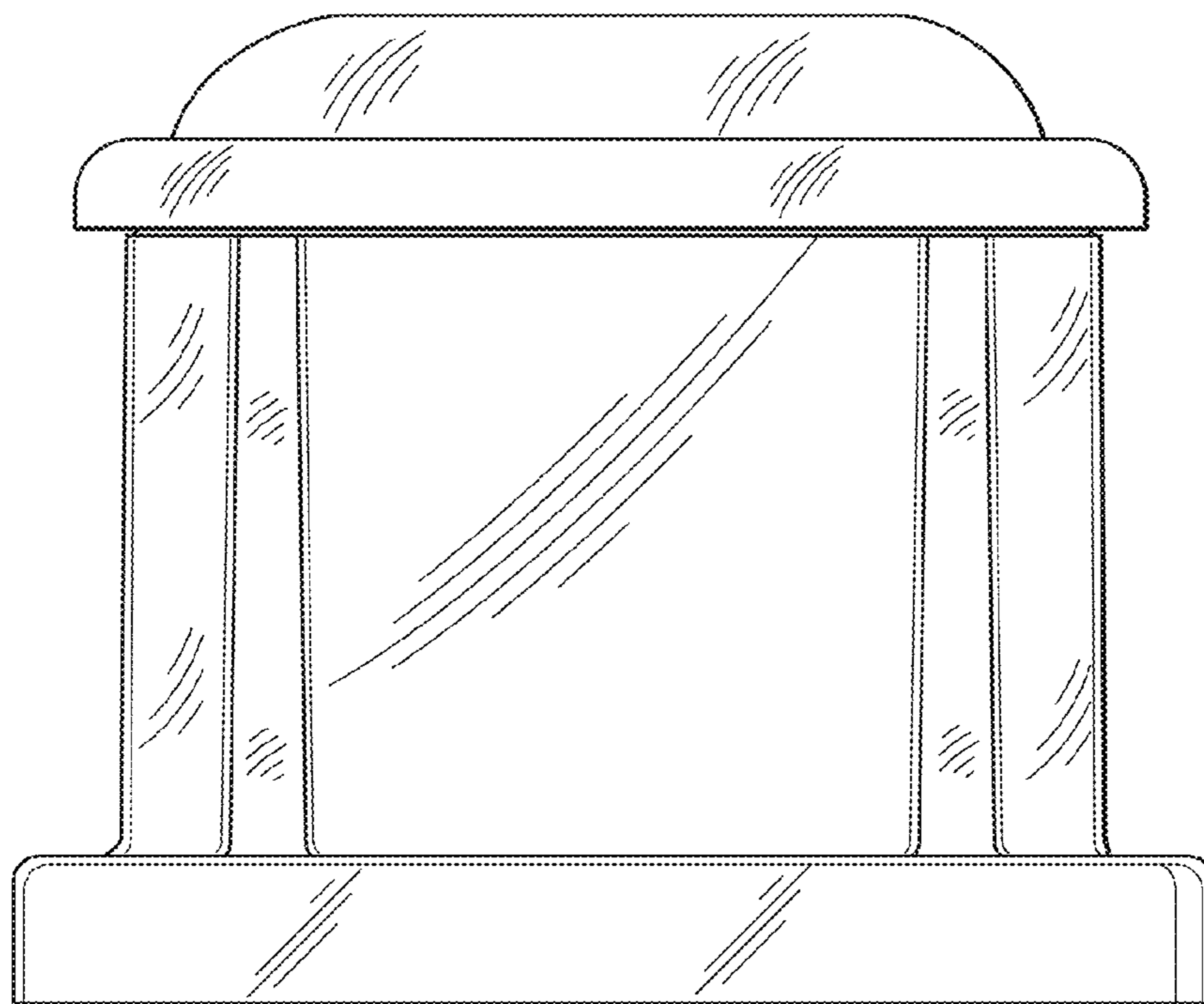


Fig. 12

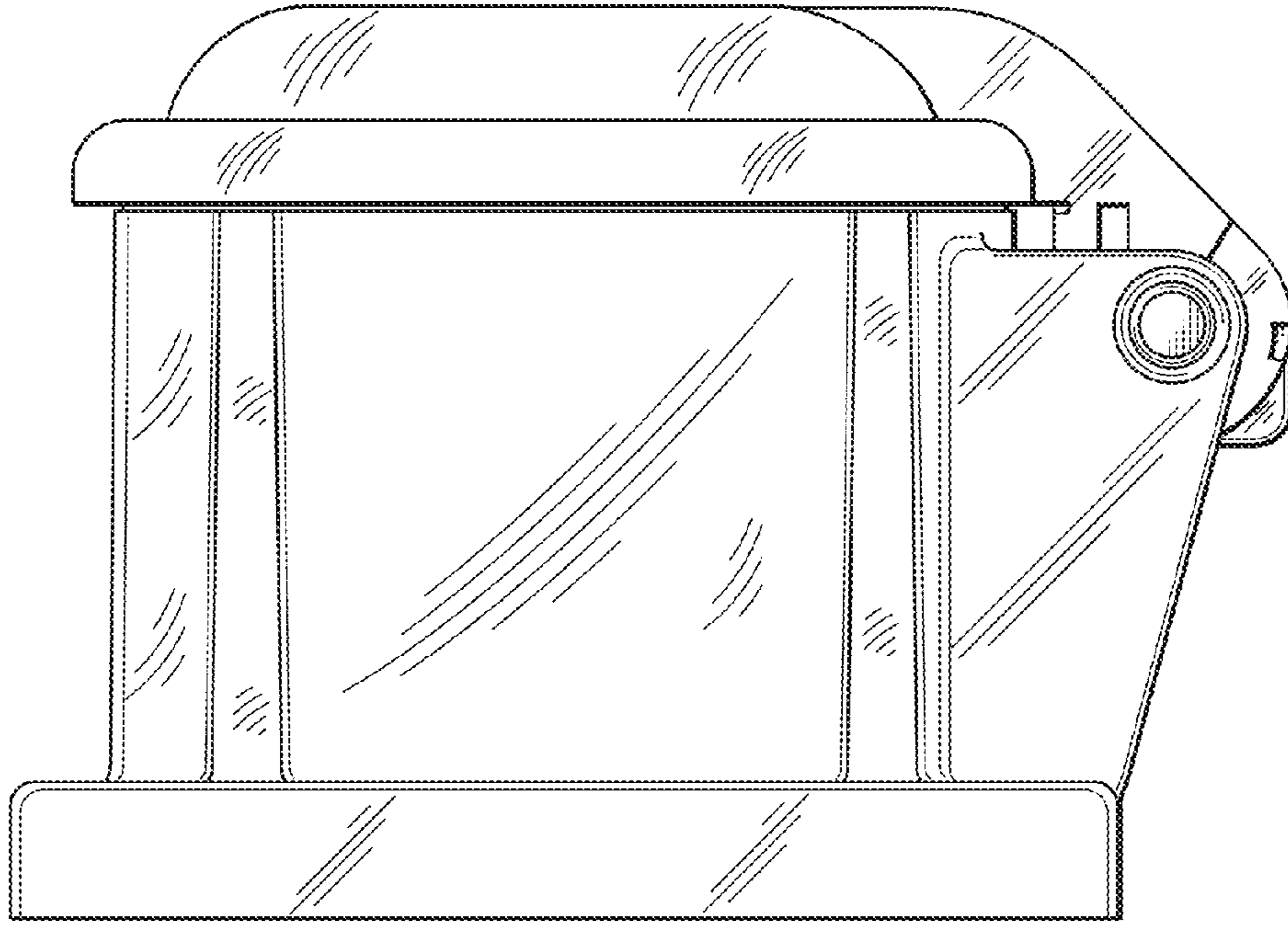


Fig. 13

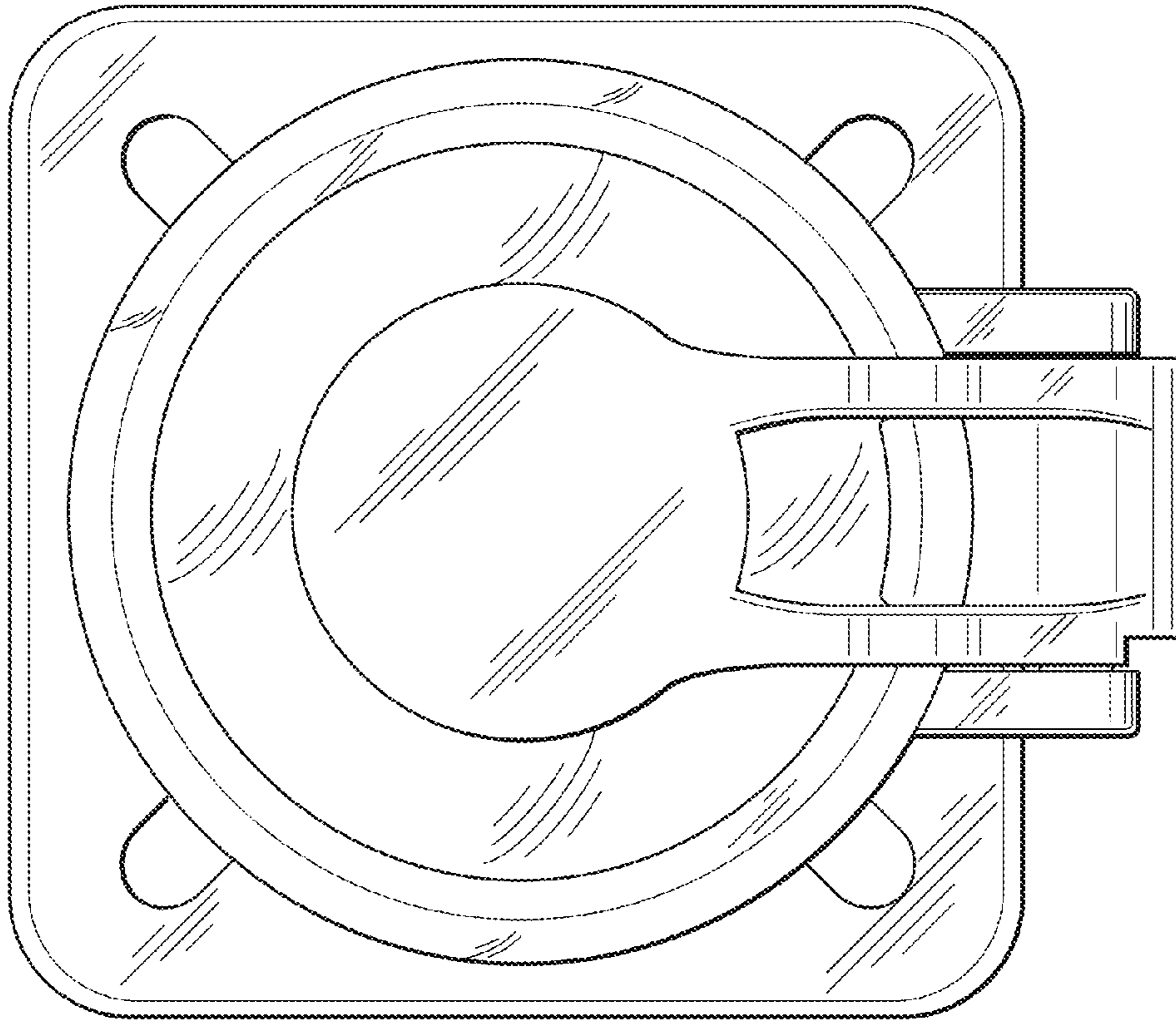


Fig. 14

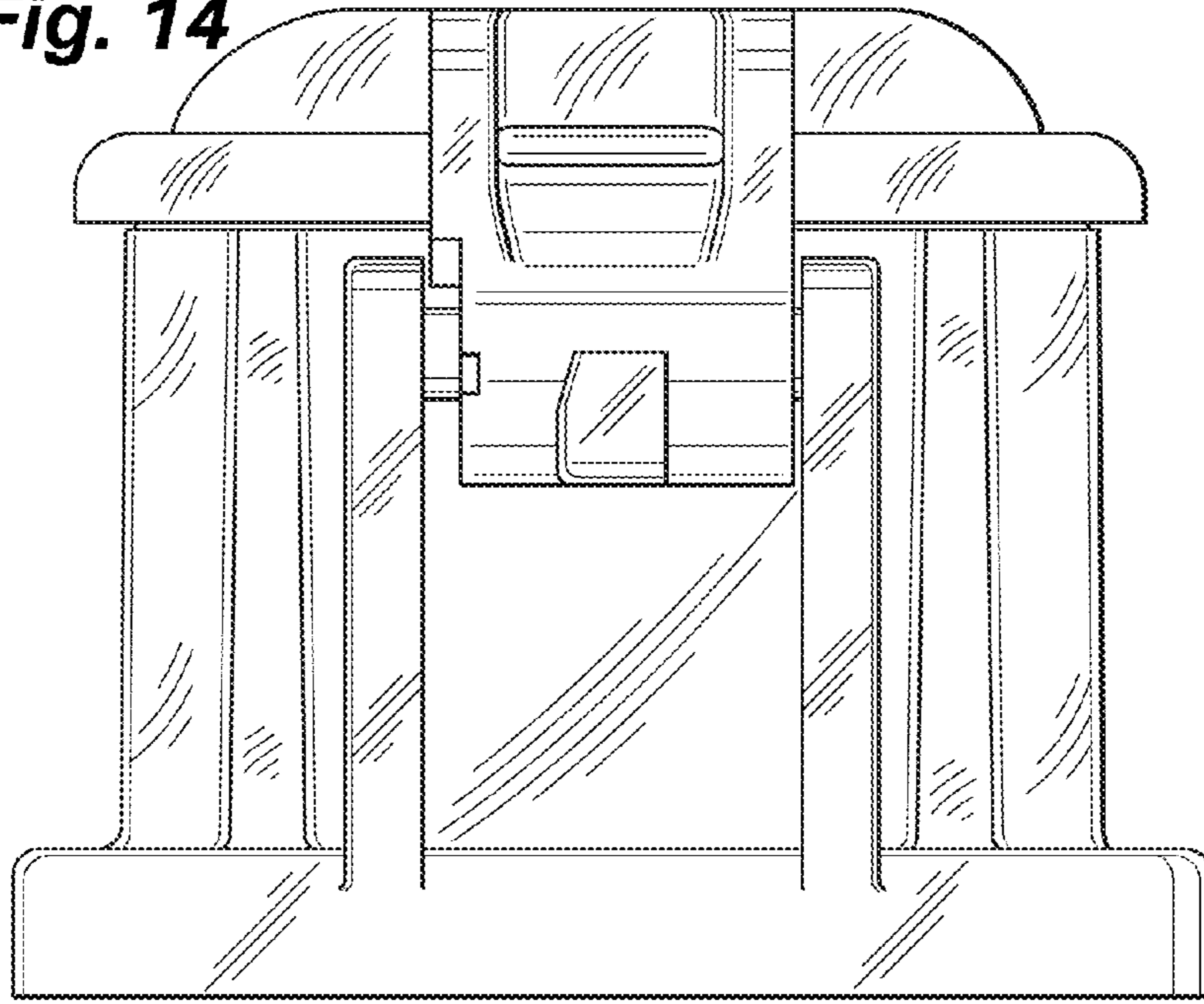


Fig. 15

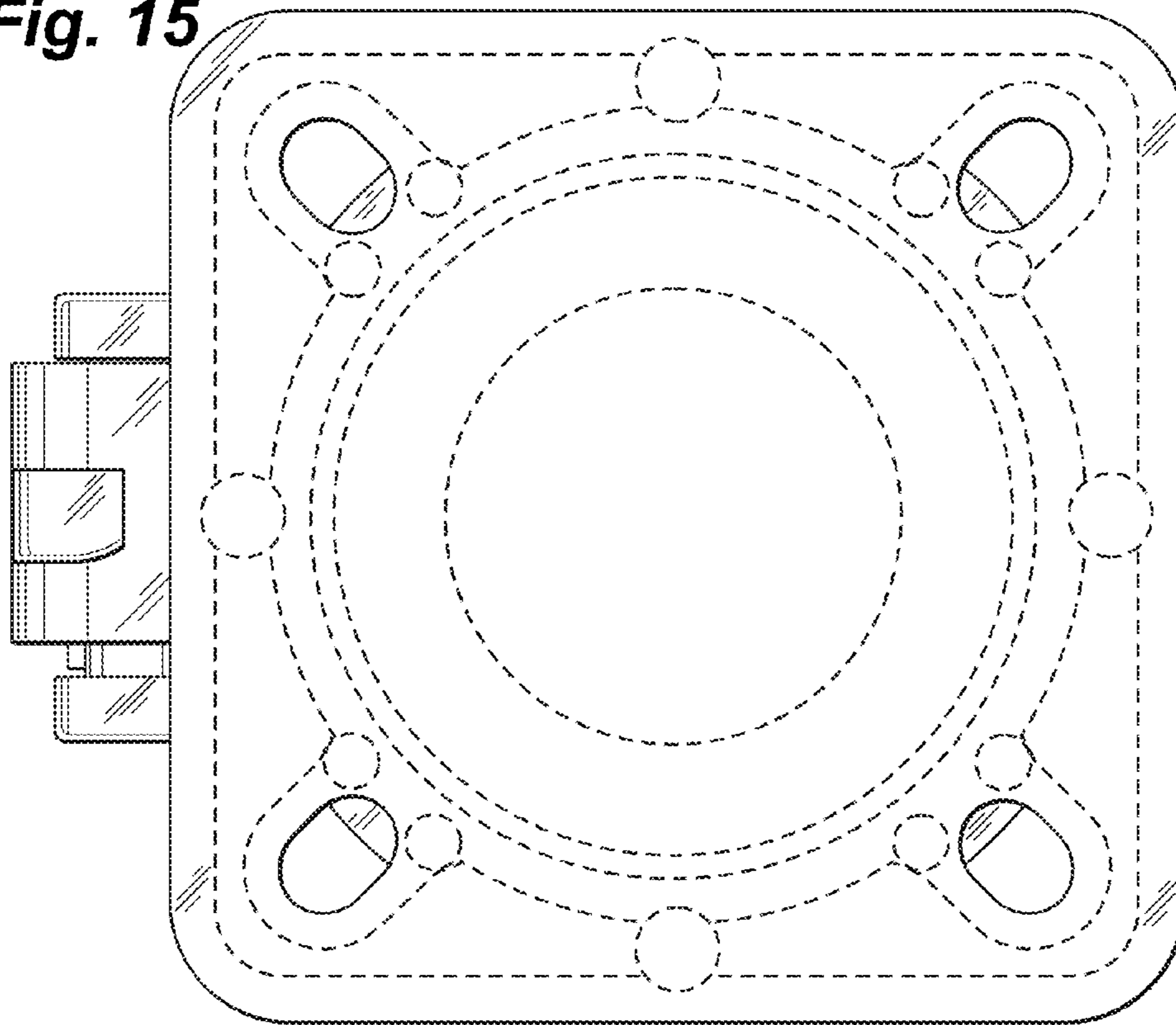
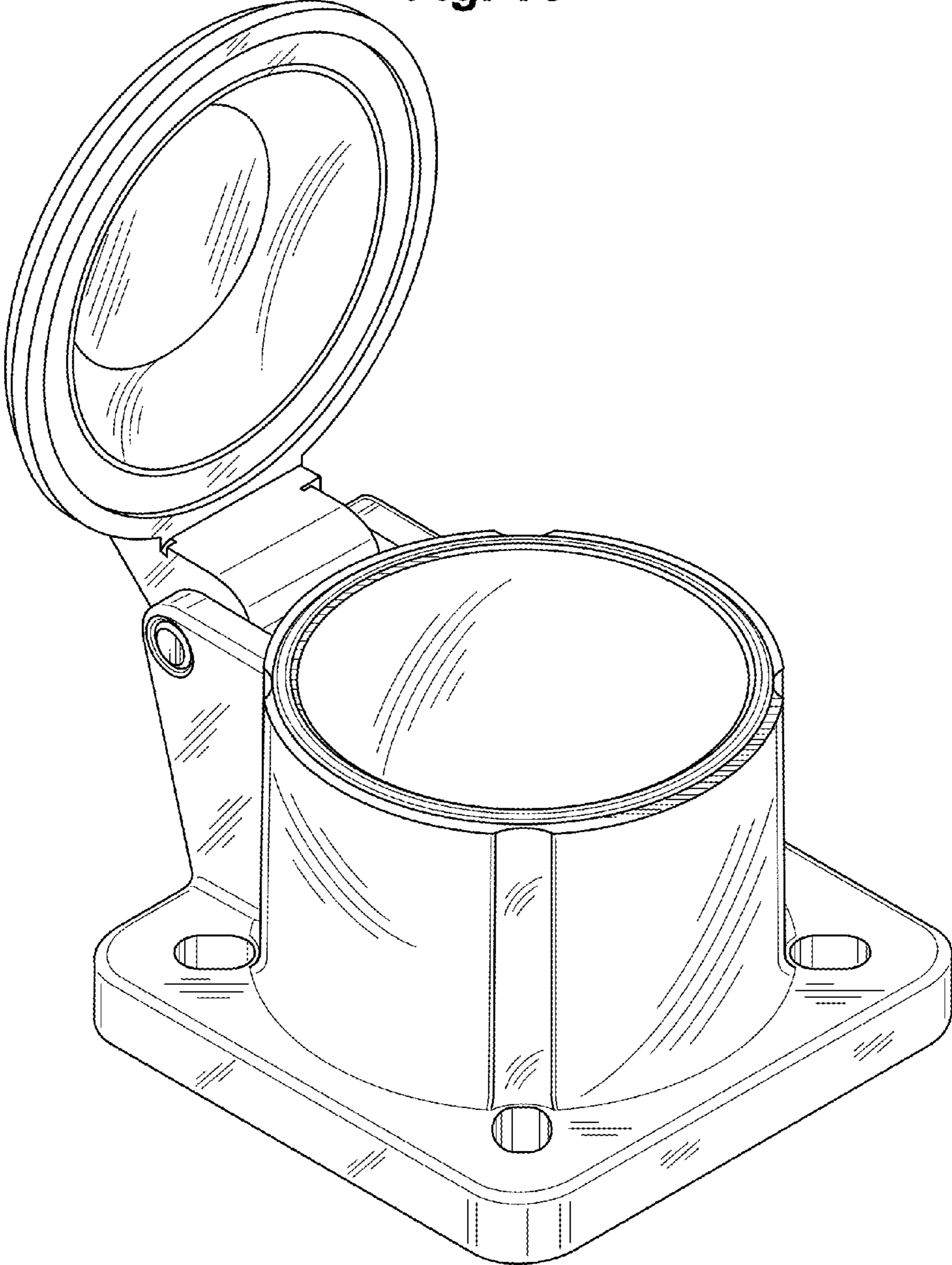


Fig. 16



UNITED STATES PATENT AND TRADEMARK OFFICE
CERTIFICATE OF CORRECTION

PATENT NO. : D709,461 S
APPLICATION NO. : 29/475446
DATED : July 22, 2014
INVENTOR(S) : Frederick Alan Dahl et al.

Page 1 of 1

It is certified that error appears in the above-identified patent and that said Letters Patent is hereby corrected as shown below:

Title page, Item [73]

The City of the Assignee should read:

-- Trystar, Inc., Faribault, MN (US) --

Signed and Sealed this
Twenty-first Day of October, 2014



Michelle K. Lee
Deputy Director of the United States Patent and Trademark Office