



US00D709460S

(12) **United States Design Patent**  
**Clifton**

(10) **Patent No.:** **US D709,460 S**

(45) **Date of Patent:** **\*\* Jul. 22, 2014**

(54) **CONDUIT RISER COVER**

(71) Applicant: **Larry T. Clifton**, Elk City, OK (US)

(72) Inventor: **Larry T. Clifton**, Elk City, OK (US)

(\*\*) Term: **14 Years**

(21) Appl. No.: **29/459,139**

(22) Filed: **Jun. 26, 2013**

**Related U.S. Application Data**

(63) Continuation of application No. 12/977,140, filed on Dec. 23, 2010, now abandoned.

(51) **LOC (10) Cl.** ..... **13-03**

(52) **U.S. Cl.**  
USPC ..... **D13/156**

(58) **Field of Classification Search**  
USPC ..... D13/133, 152, 155, 156, 158, 184, 199;  
138/89, 96 R; 174/19, 68.1, 72 C, 77 R,  
174/82; 220/229, 782, 786; 439/135-138,  
439/142, 367, 373, 535-537, 541, 892,  
439/938; D23/260

See application file for complete search history.

(56) **References Cited**

**U.S. PATENT DOCUMENTS**

874,019 A 12/1907 Moore  
2,938,941 A 5/1960 Roberts, Jr.

D209,379 S \* 11/1967 Quick ..... D23/260  
4,271,972 A \* 6/1981 Thor ..... 215/251  
6,083,016 A \* 7/2000 Waynick, Sr. .... 439/135  
D486,891 S \* 2/2004 Cronce, Jr. .... D23/260  
6,792,977 B2 9/2004 Presby  
D521,941 S \* 5/2006 Phung et al. .... D13/156  
D629,366 S \* 12/2010 Ericson et al. .... D13/156

\* cited by examiner

*Primary Examiner* — Derrick Holland

(74) *Attorney, Agent, or Firm* — Robert C. Montgomery;  
Montgomery Patent & Design

(57) **CLAIM**

The ornamental design for a conduit riser cover, as shown and described.

**DESCRIPTION**

FIG. 1 is an isometric view of a conduit riser cover;  
FIG. 2 is front view thereof;  
FIG. 3 is a rear view thereof;  
FIG. 4 is a left-hand side view thereof;  
FIG. 5 is a right-hand side view thereof;  
FIG. 6 is a top view thereof;  
FIG. 7 is a bottom view thereof; and,  
FIG. 8 is another isometric view of the conduit riser cover in an open position for illustration.  
The broken lines shown in the drawings illustrate the environment of the article and form no part of the claimed design.

**1 Claim, 8 Drawing Sheets**

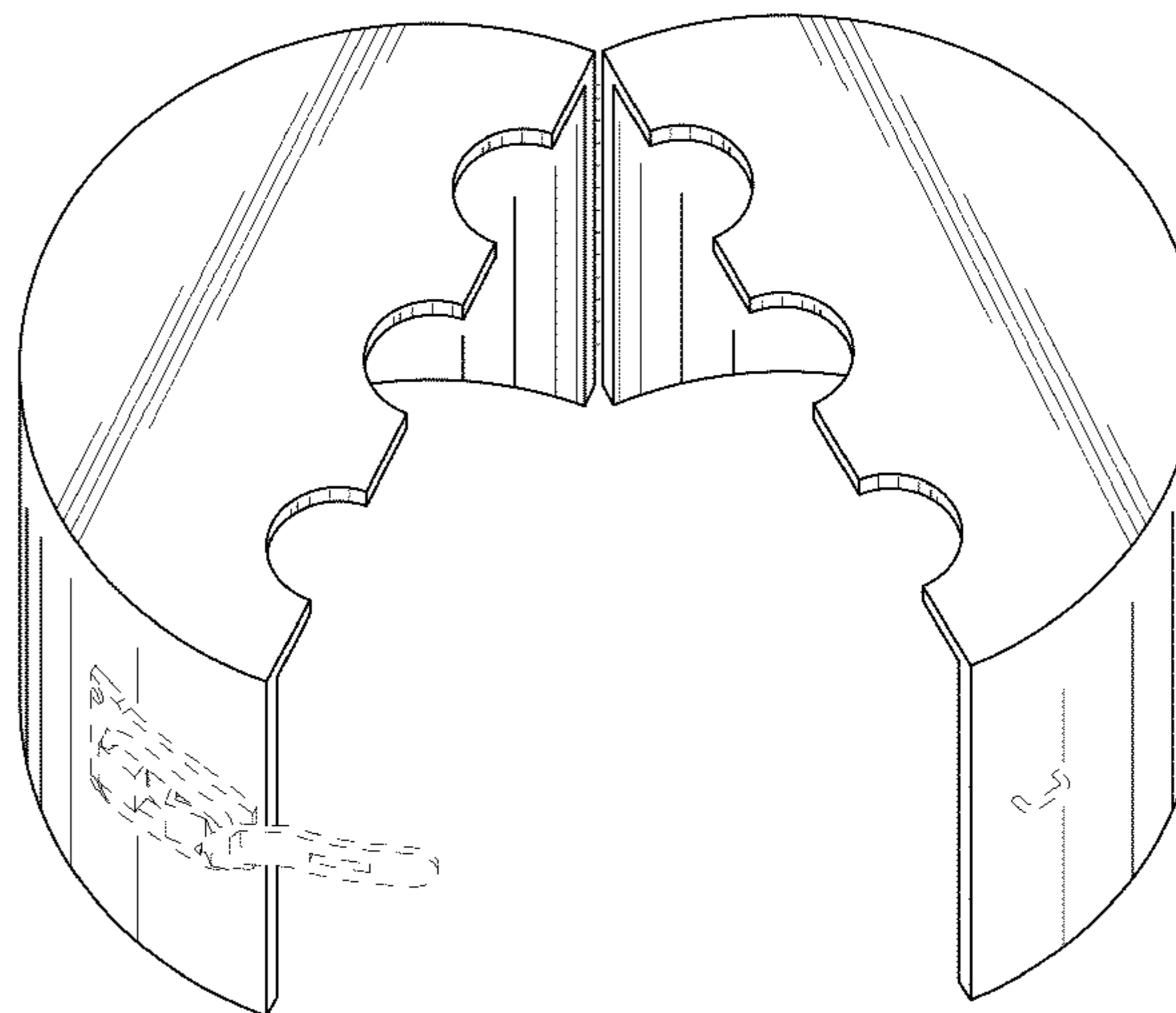
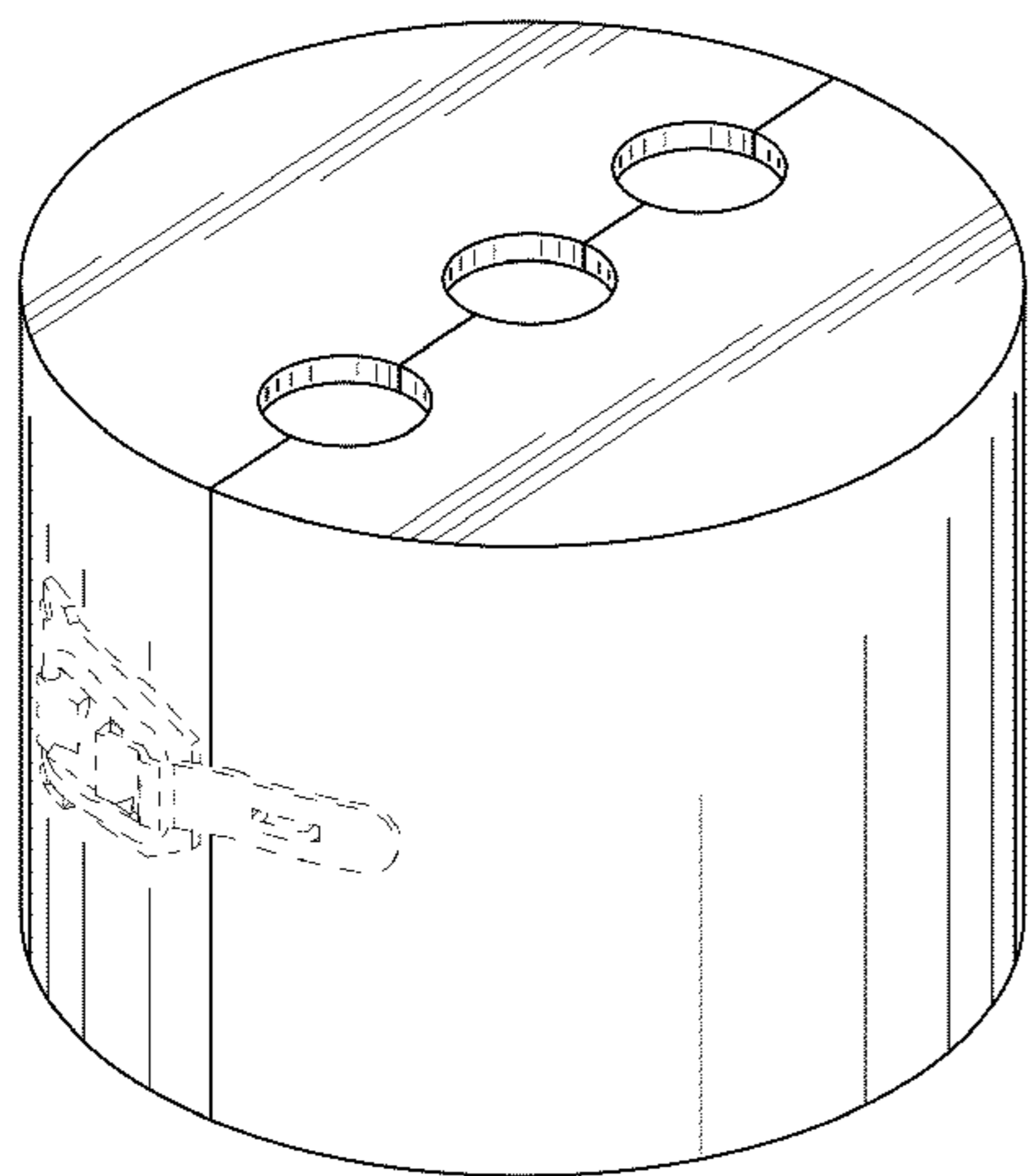




Fig. 1

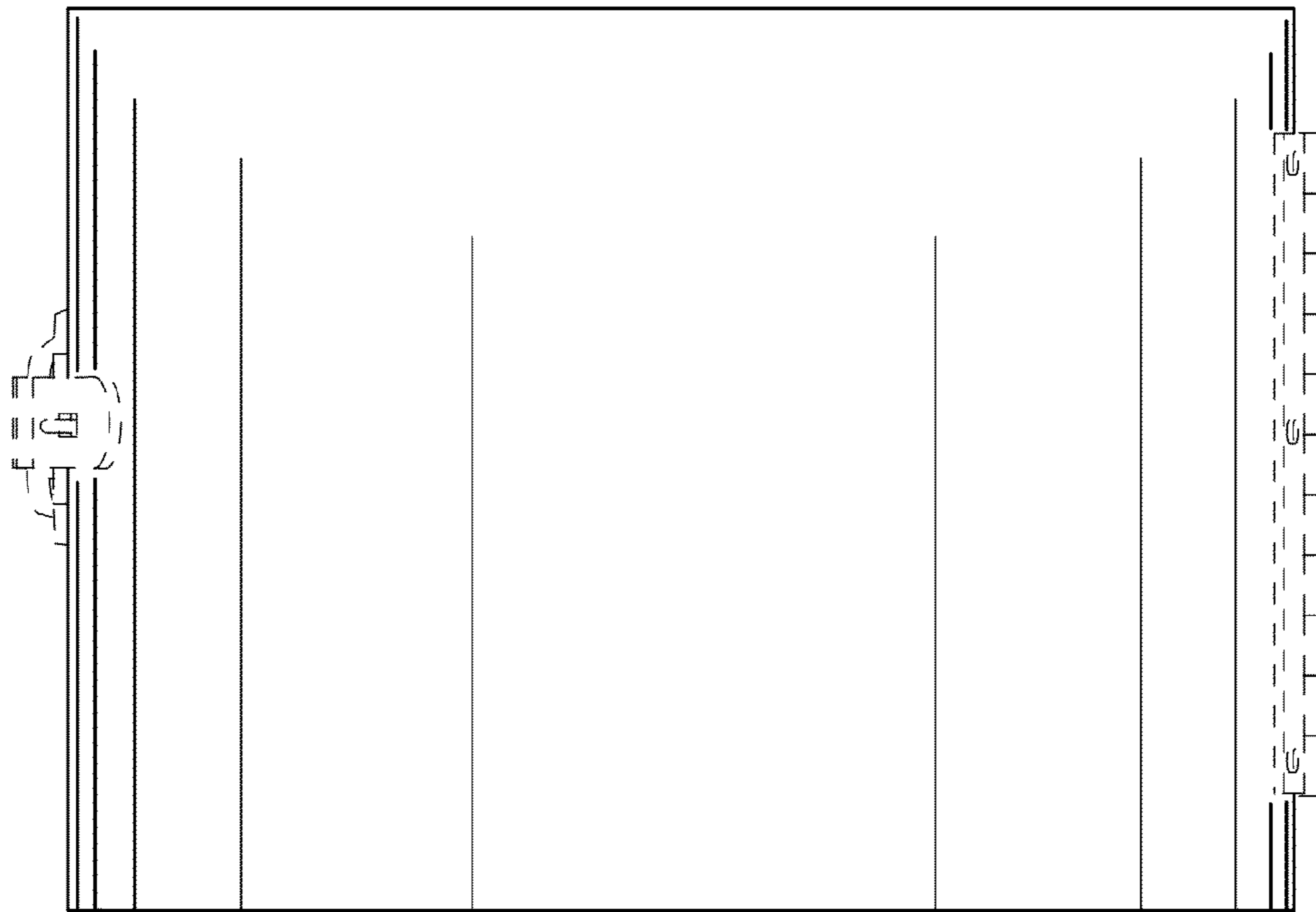


Fig. 2

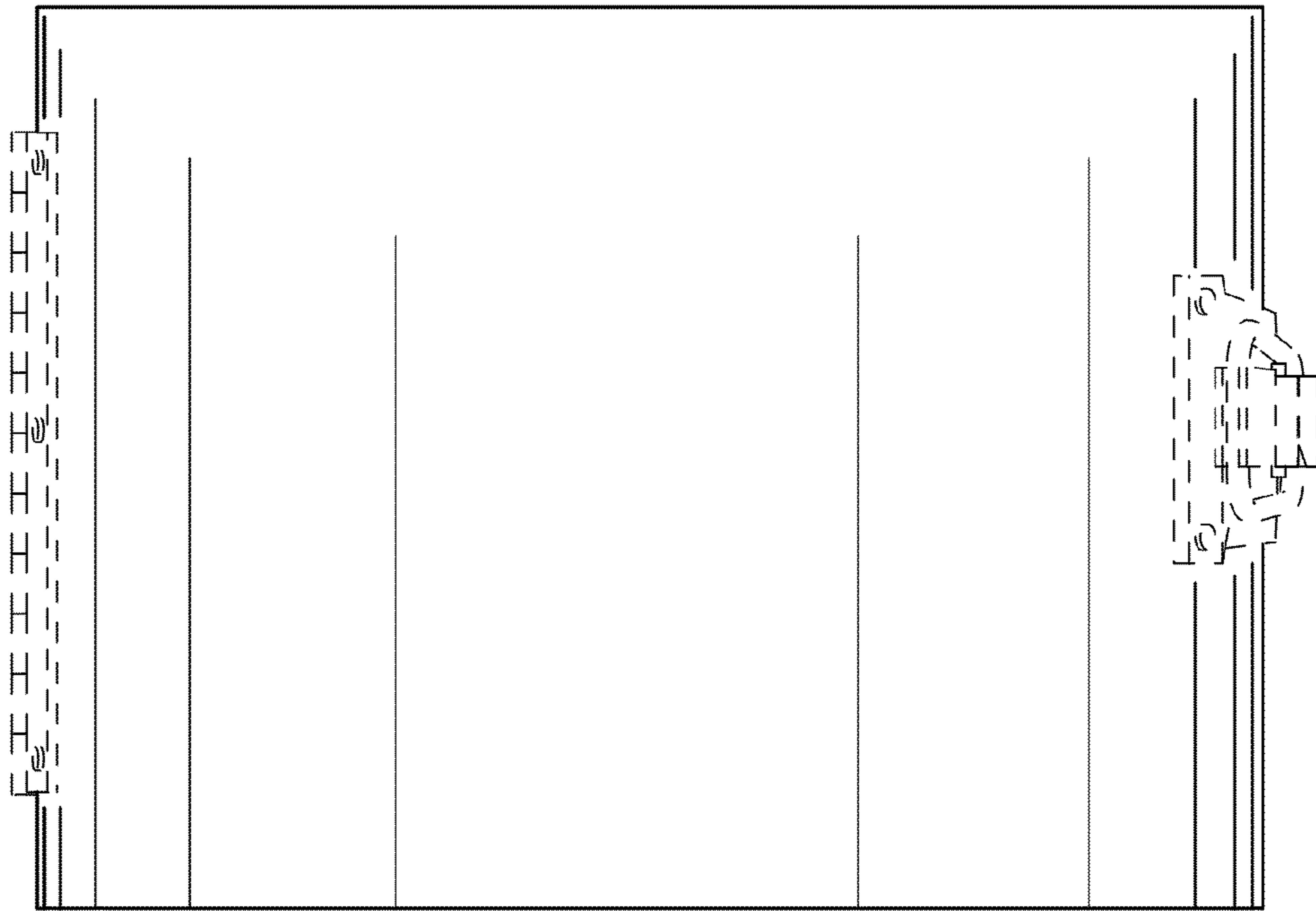


Fig. 3

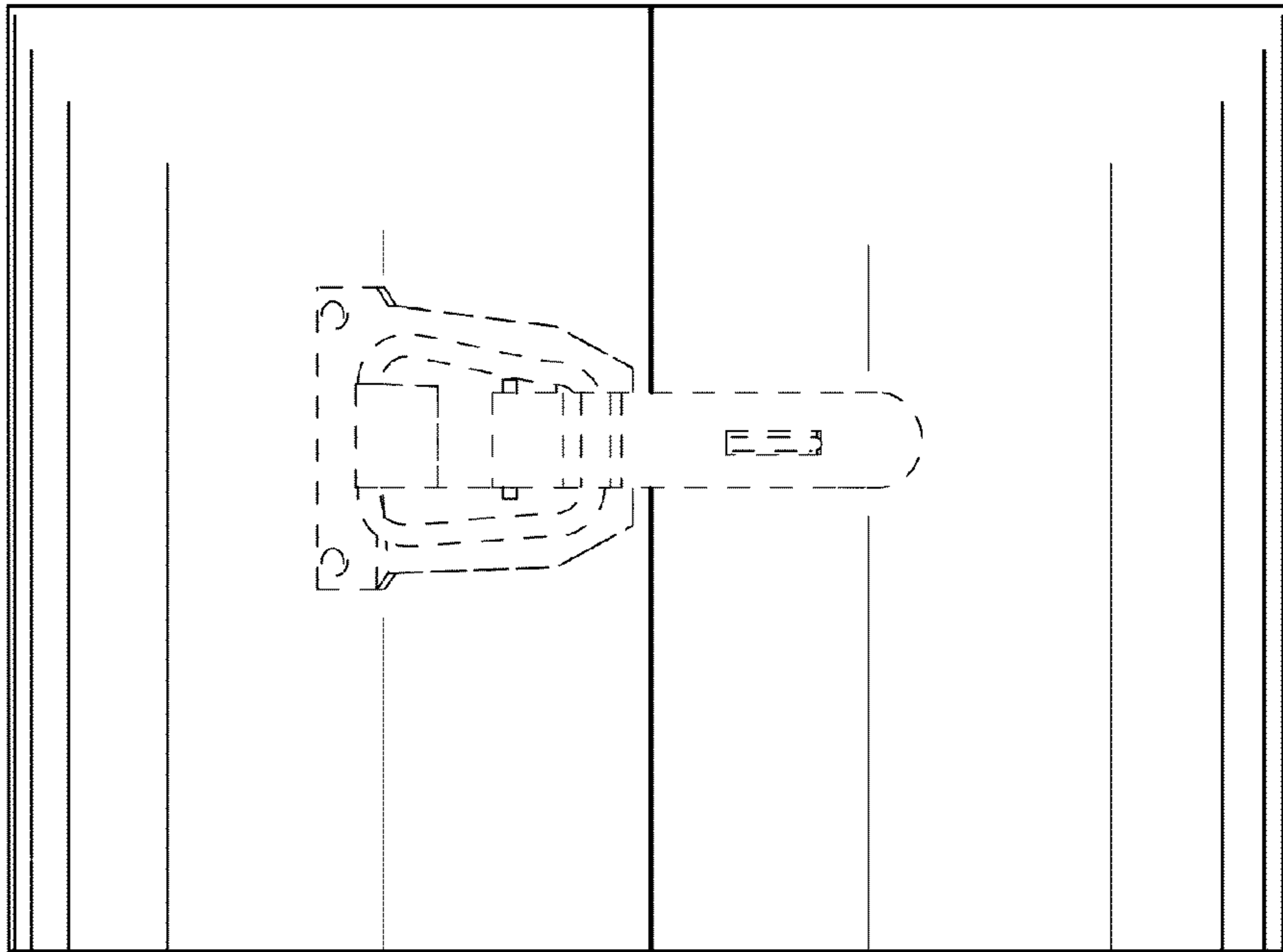


Fig. 4

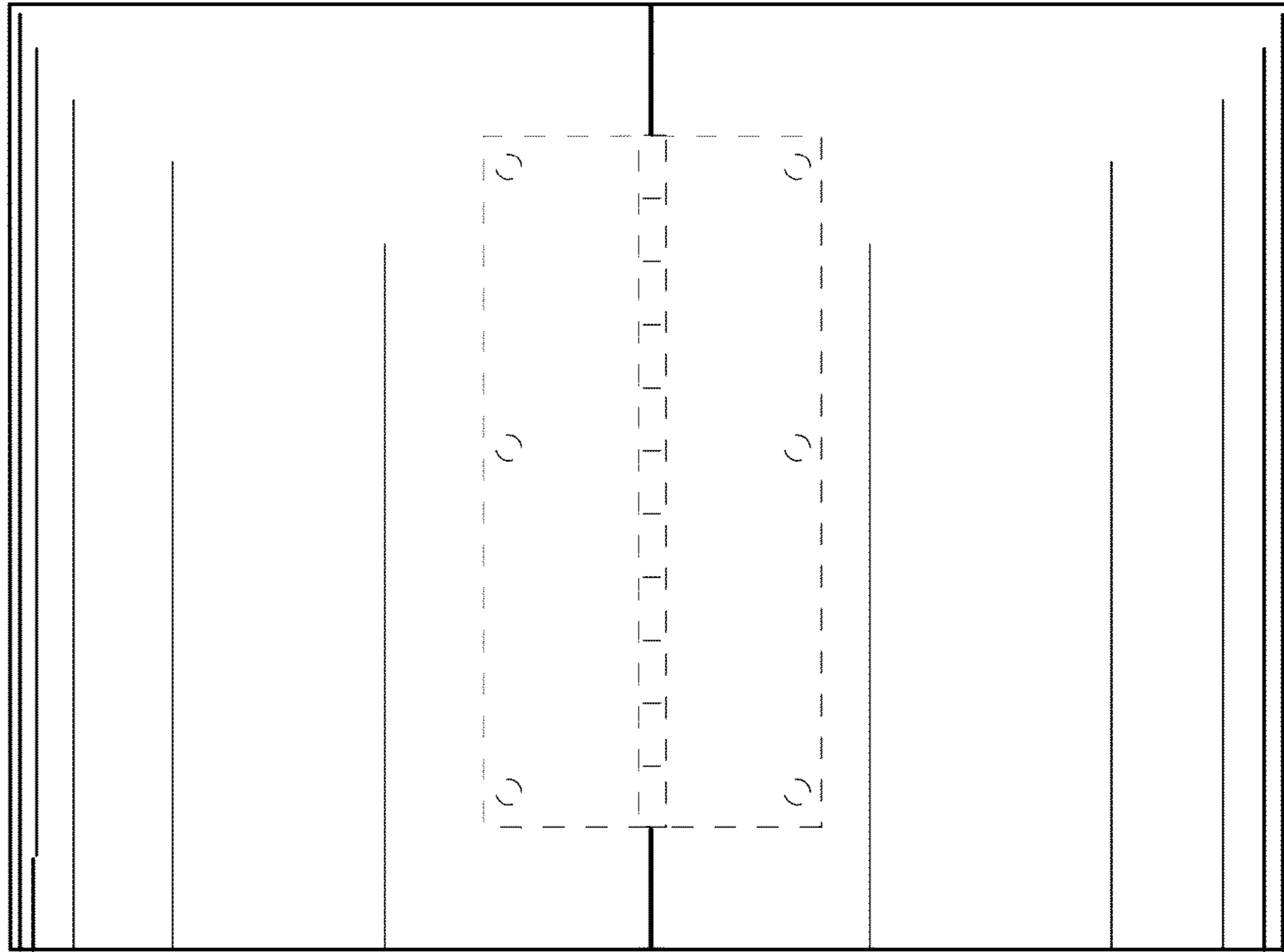


Fig. 5

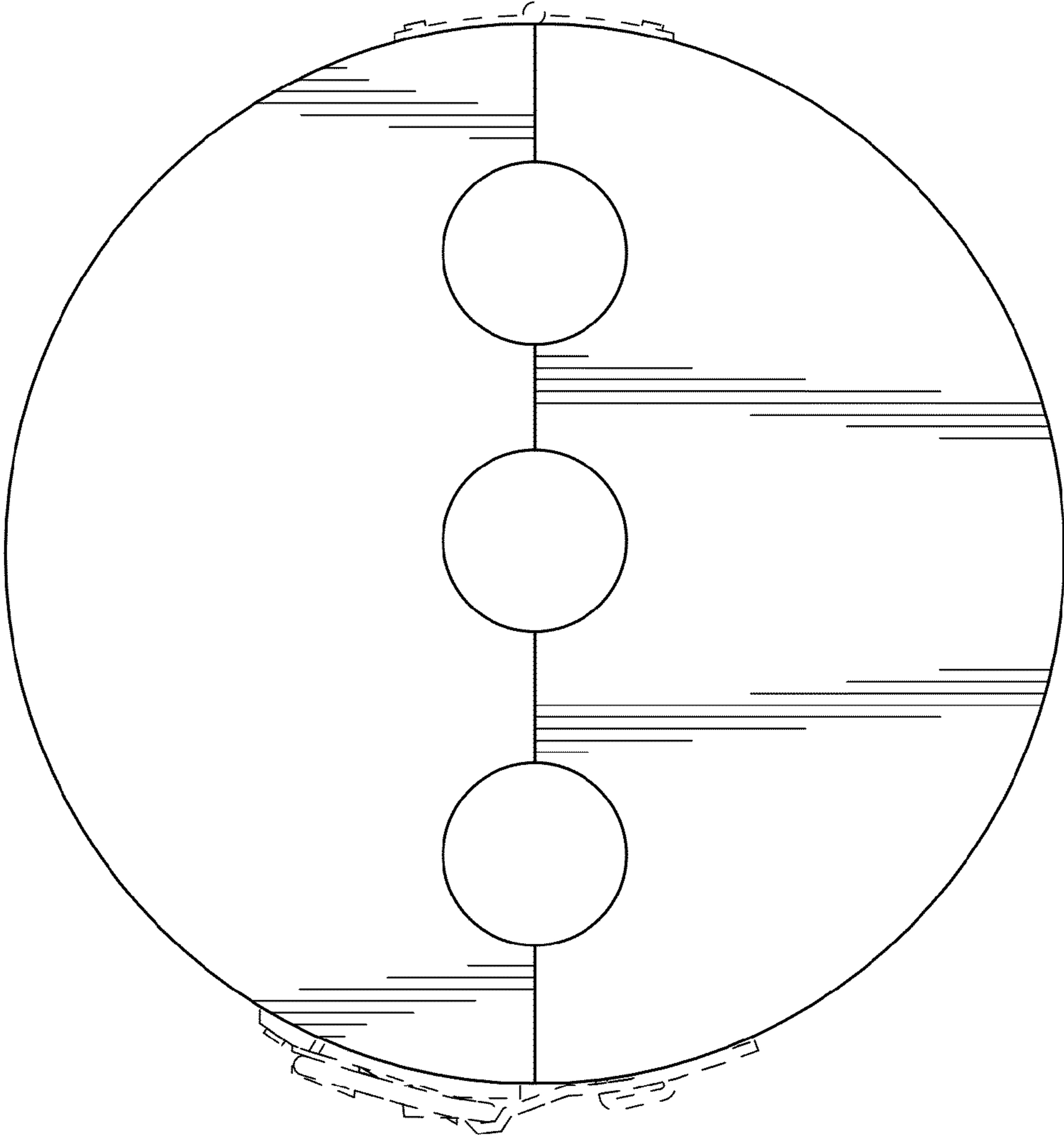


Fig. 6

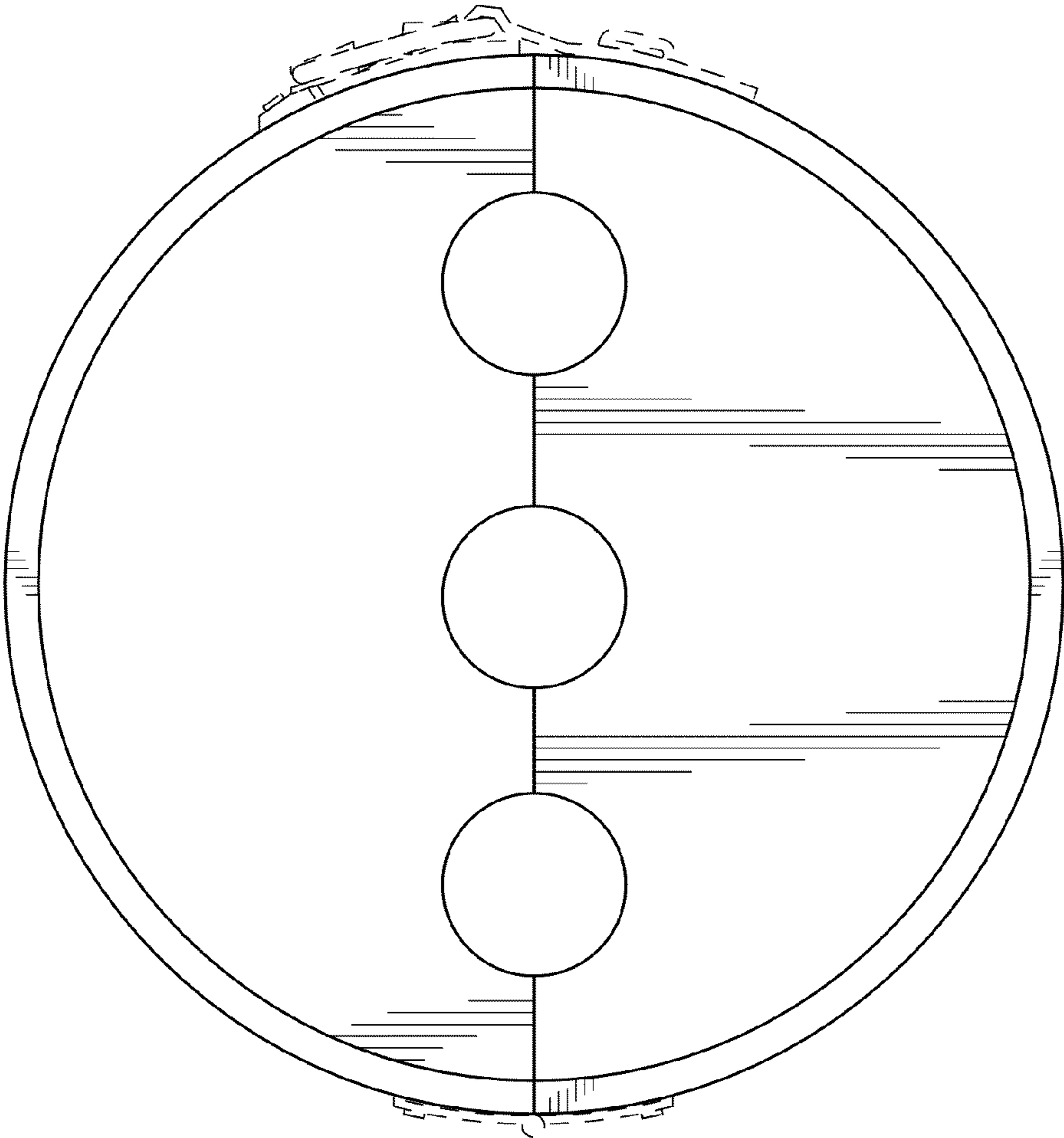


Fig. 7



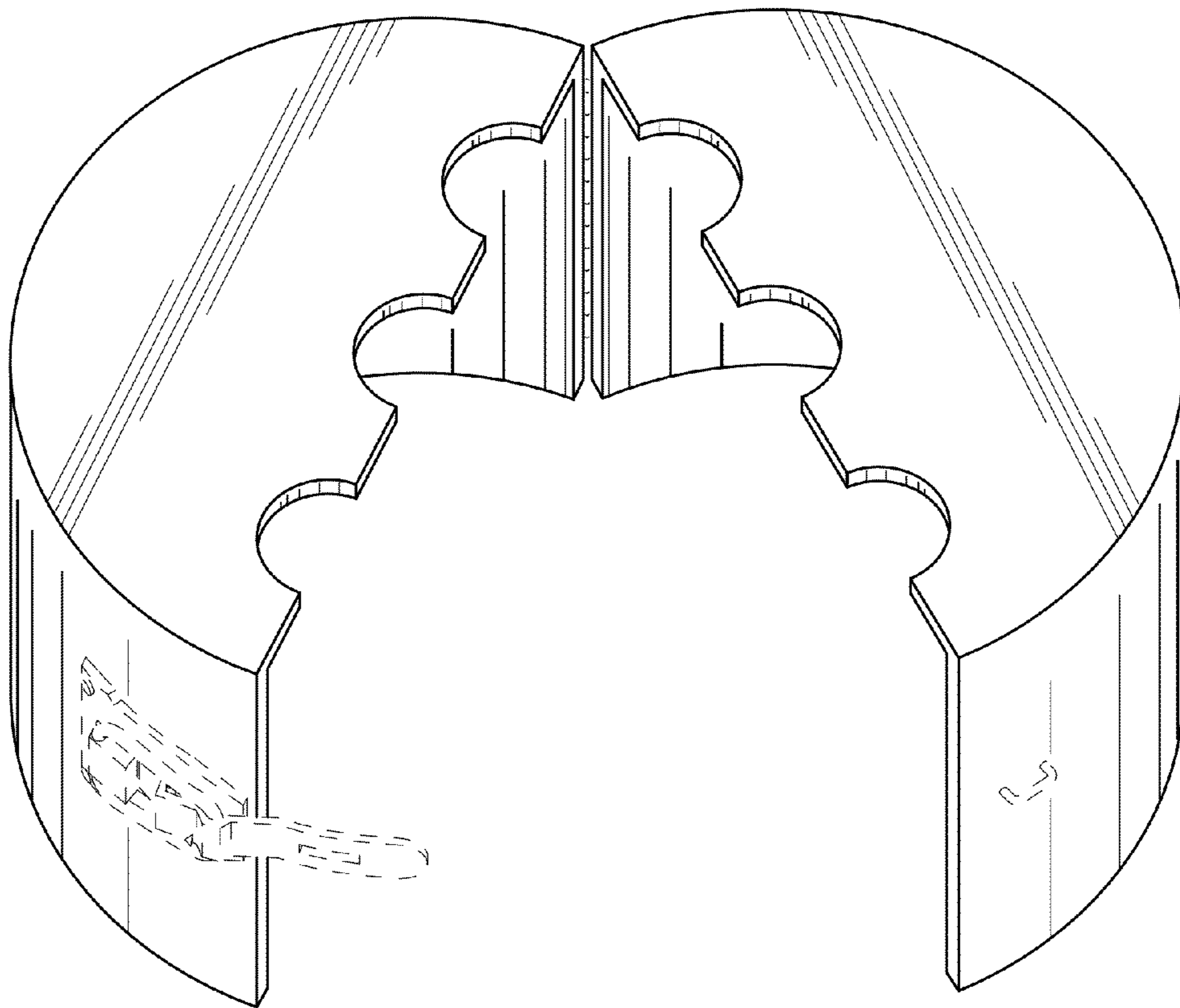


Fig. 8