



US00D709459S

(12) **United States Design Patent**  
**Polidori**

(10) **Patent No.:** **US D709,459 S**

(45) **Date of Patent:** **\*\* Jul. 22, 2014**

(54) **ELECTRICAL BANDING LEAD CLAMP**

(56) **References Cited**

(71) Applicant: **Connector Products, Inc.**,  
Cinnaminson, NJ (US)  
(72) Inventor: **Nicholas Polidori**, Medford, NJ (US)  
(73) Assignee: **Connector Products, Inc.**,  
Cinnaminson, NJ (US)  
(\*\*) Term: **14 Years**

U.S. PATENT DOCUMENTS

D292,087	S	*	9/1987	Bryant	.....	D13/149
D330,792	S	*	11/1992	Colley	.....	D99/28
5,944,463	A	*	8/1999	Savage, Jr.	.....	439/419
D588,996	S	*	3/2009	Grimm	.....	D13/149
D603,340	S	*	11/2009	Grimm	.....	D13/149
7,686,477	B2	*	3/2010	Southard et al.	.....	362/249.04
D621,366	S	*	8/2010	Browder	.....	D13/149
7,766,687	B2	*	8/2010	Verjans et al.	.....	439/404
D678,211	S	*	3/2013	Chen	.....	D13/149
8,550,838	B2	*	10/2013	Osagle et al.	.....	439/441
2006/0172586	A1	*	8/2006	Rosenblatt	.....	439/425

(21) Appl. No.: **29/437,304**  
(22) Filed: **Nov. 15, 2012**  
(51) **LOC (10) Cl.** ..... **13-03**  
(52) **U.S. Cl.**  
USPC ..... **D13/149**  
(58) **Field of Classification Search**  
CPC .. H01R 13/501; H01R 4/2433; H01R 12/515;  
H01R 12/675; H01R 13/506; H01R 4/2404;  
H01R 4/4818; H01R 4/4827; F21V 21/002;  
G01R 31/021; G09F 13/0413  
USPC ..... D13/133, 146, 147, 149, 151, 153, 154,  
D13/184, 199; 439/409, 412, 417, 441, 709,  
439/715, 716, 717; 361/823

\* cited by examiner

*Primary Examiner* — Thomas Johannes  
(74) *Attorney, Agent, or Firm* — Norman E. Lehrer

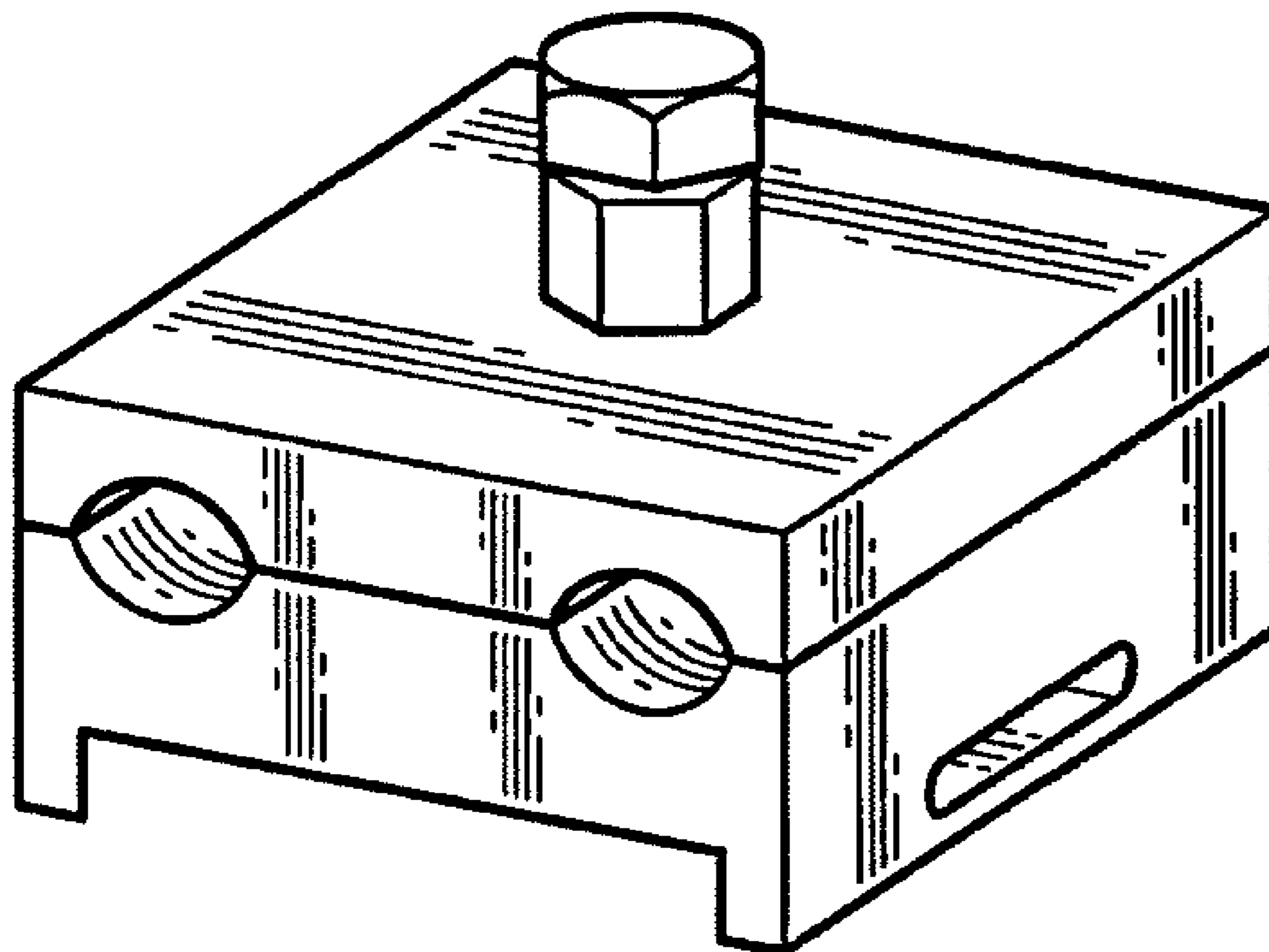
(57) **CLAIM**  
The ornamental design for an electrical banding lead clamp,  
as shown and described.

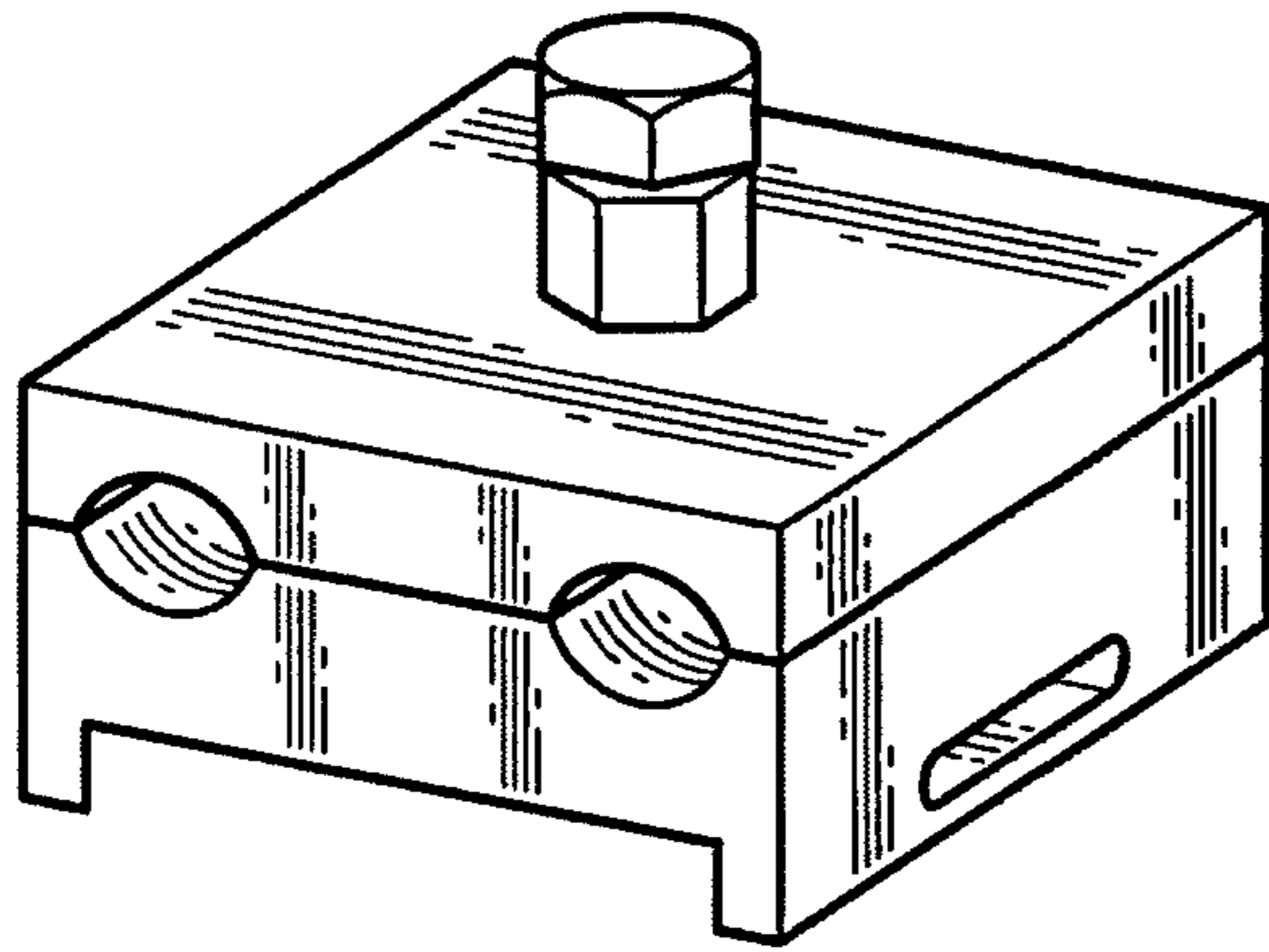
**DESCRIPTION**

FIG. 1 is a perspective view of an electrical banding lead clamp showing my new design;  
FIG. 2 is a front elevational view thereof, the rear elevational view being identical thereto;  
FIG. 3 is a right side elevational view thereof, the left side elevational view being identical thereto;  
FIG. 4 is a top plan view thereof; and,  
FIG. 5 is a bottom plan view thereof.

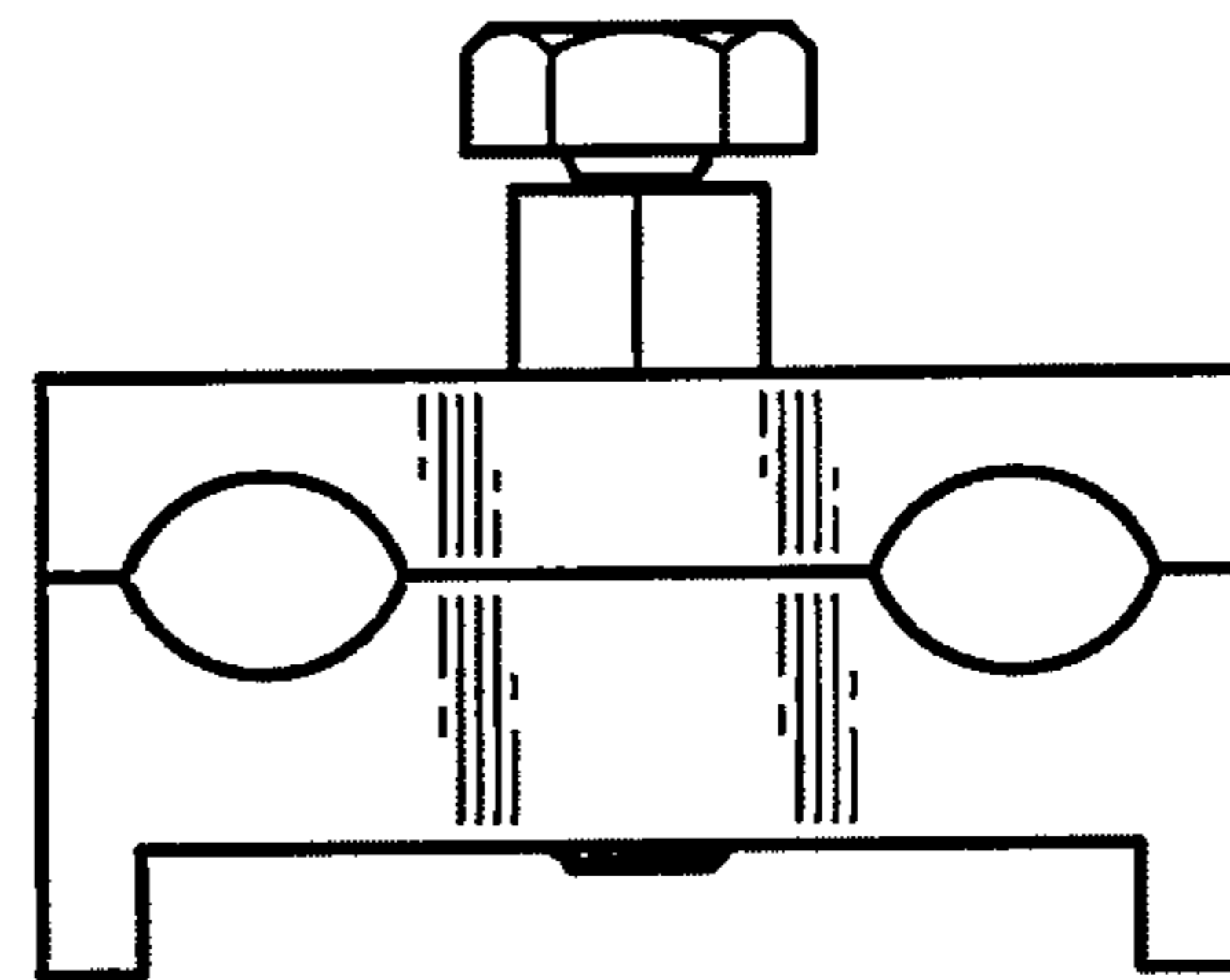
See application file for complete search history.

**1 Claim, 2 Drawing Sheets**

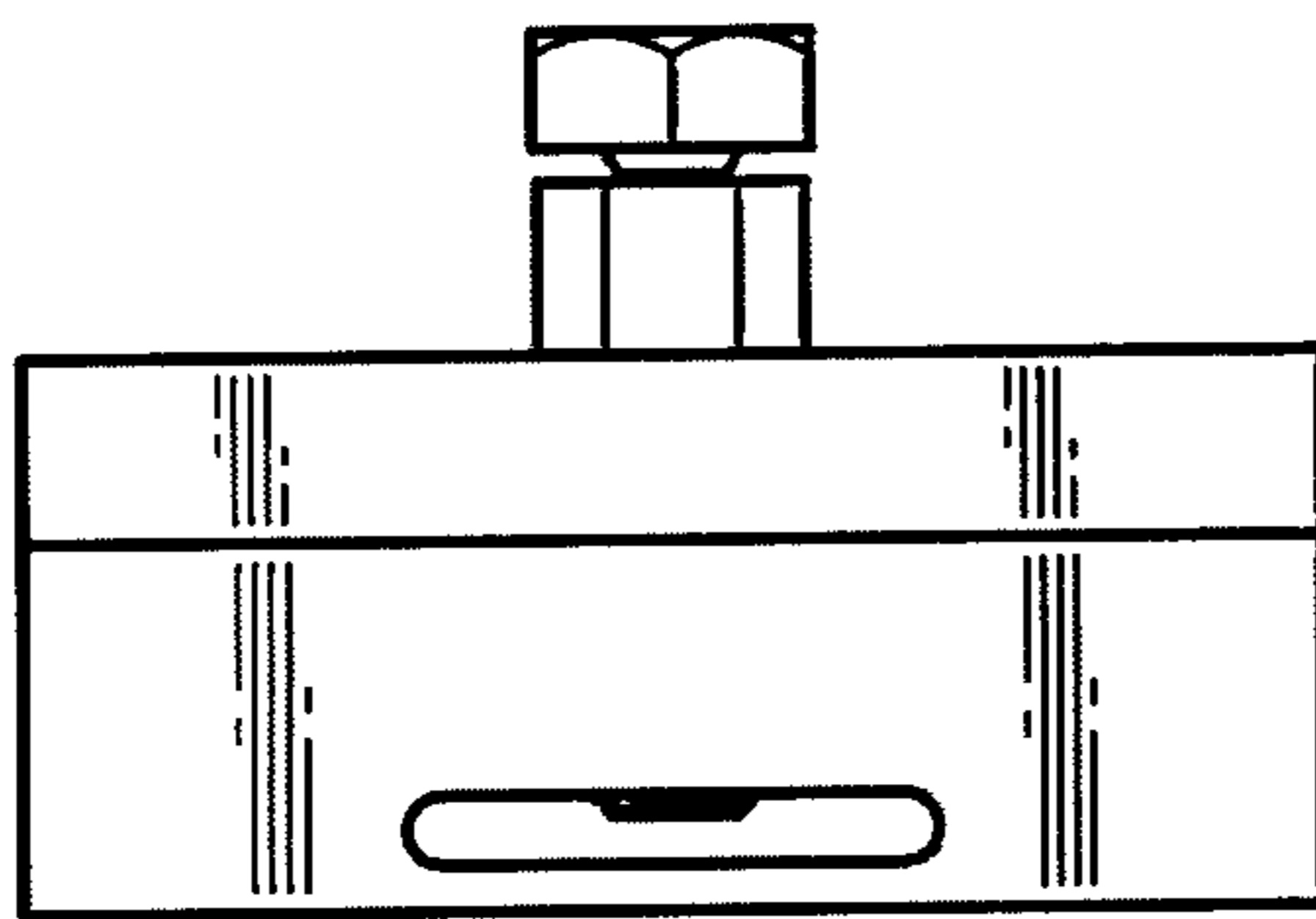




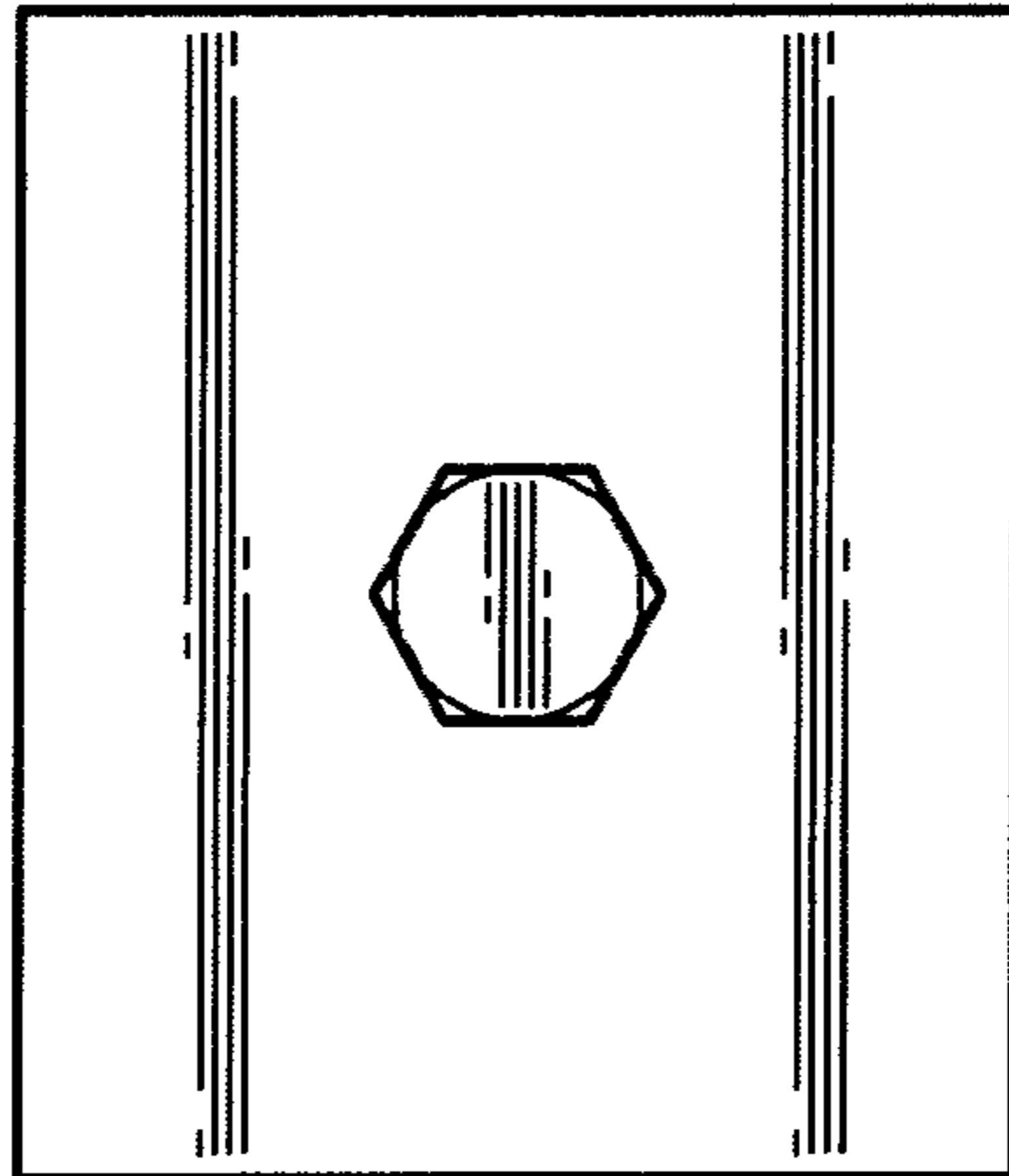
*FIG. 1*



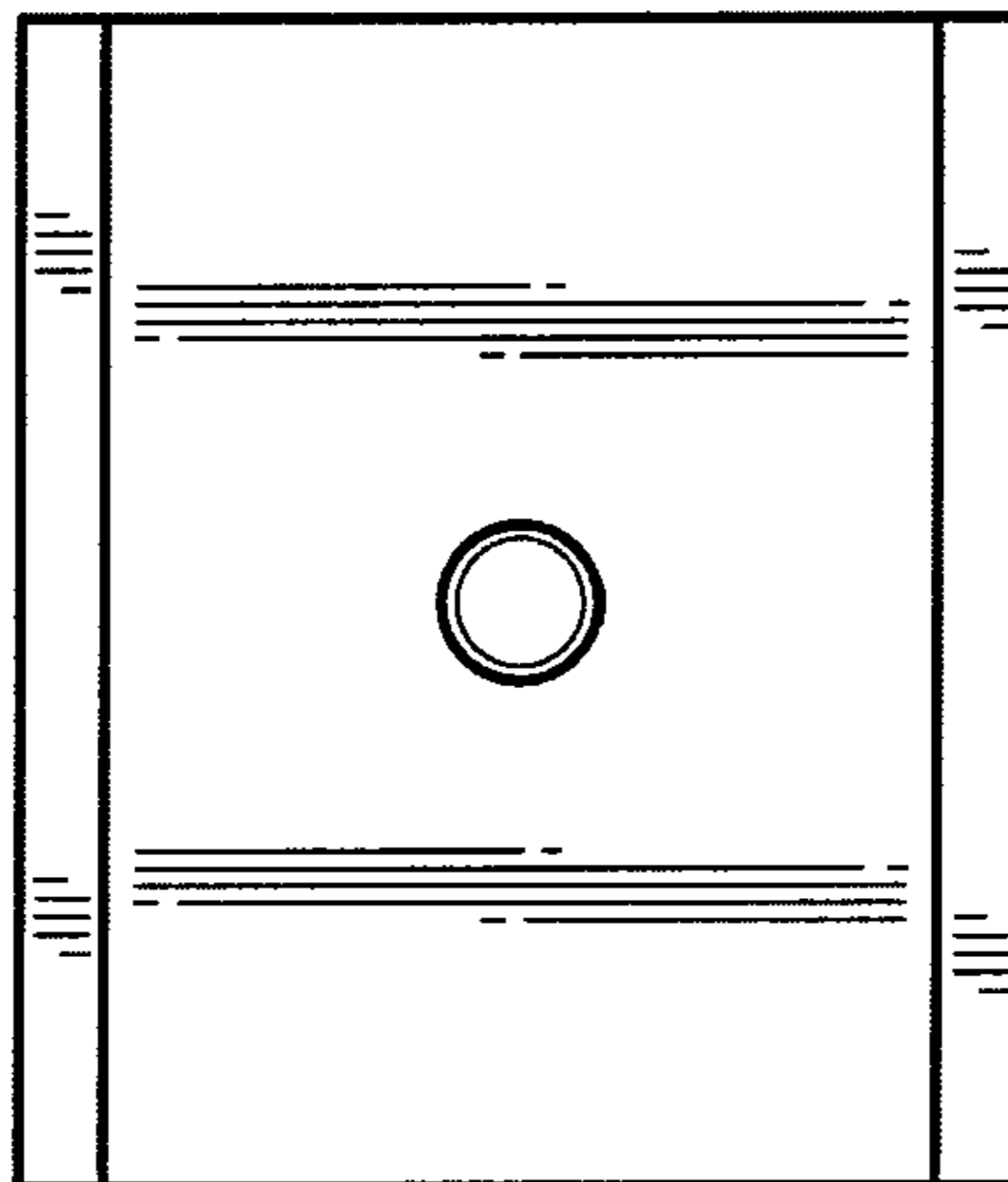
*FIG. 2*



*FIG. 3*



*FIG. 4*



*FIG. 5*