



US00D709454S

(12) **United States Design Patent**
Takamoto et al.

(10) **Patent No.:** **US D709,454 S**
(45) **Date of Patent:** **** Jul. 22, 2014**

(54) **CONNECTOR PLUG**

(71) Applicant: **Nintendo Co., Ltd.**, Kyoto (JP)
(72) Inventors: **Junji Takamoto**, Kyoto (JP); **Naoya Yamamoto**, Kyoto (JP); **Hitoshi Tsuchiya**, Kyoto (JP); **Yuji Hori**, Kyoto (JP); **Daisuke Kumazaki**, Kyoto (JP); **Takafumi Nishida**, Kyoto (JP); **Kenichiro Ashida**, Kyoto (JP); **Masato Ibuki**, Kyoto (JP); **Shinji Yamamoto**, Kyoto (JP); **Fumiyoshi Suetake**, Kyoto (JP); **Akiko Suga**, Kyoto (JP)

(73) Assignee: **Nintendo Co., Ltd.**, Kyoto (JP)

(**) Term: **14 Years**

(21) Appl. No.: **29/438,847**

(22) Filed: **Dec. 4, 2012**

(30) **Foreign Application Priority Data**

Jun. 4, 2012 (JP) 2012-013253

(51) **LOC (10) Cl.** **13-03**

(52) **U.S. Cl.**
USPC **D13/147**

(58) **Field of Classification Search**

USPC D13/133, 146, 147, 153, 154, 156, 157, D13/184, 199; D14/432, 433, 435, 435.1, D14/438; 345/156; 361/58, 814; 439/38-40, 439/66, 74, 77, 79, 129-130, 135, 146, 439/149-150, 176-177, 180, 188, 217-218, 439/225, 246, 252, 278-279, 290-291, 329, 439/344-346, 350-353, 357-358, 374, 378, 439/381, 476.1, 607.01, 607.04, 607.5, 439/607.6, 607.17, 607.21, 607.23, 607.25, 439/607.34, 607.41, 607.53, 623, 660, 668, 439/677, 678, 680, 682, 874, 883, 887, 892, 439/894

See application file for complete search history.

(56) **References Cited**

U.S. PATENT DOCUMENTS

D381,628 S	7/1997	Ashida	
D453,320 S	2/2002	Sugino	
D453,498 S	2/2002	Fujita	
D468,692 S	1/2003	Ashida et al.	
D475,018 S	5/2003	Ashida et al.	
D516,037 S *	2/2006	Huang et al.	D13/147
D533,503 S	12/2006	Ashida et al.	
D550,159 S	9/2007	Kawanobe	
D553,087 S	10/2007	Ashida et al.	

(Continued)

OTHER PUBLICATIONS

Design U.S. Appl. No. 29/438,822, filed Dec. 4, 2012 (pending).

(Continued)

Primary Examiner — Daniel Bui

(74) *Attorney, Agent, or Firm* — Nixon & Vanderhye PC

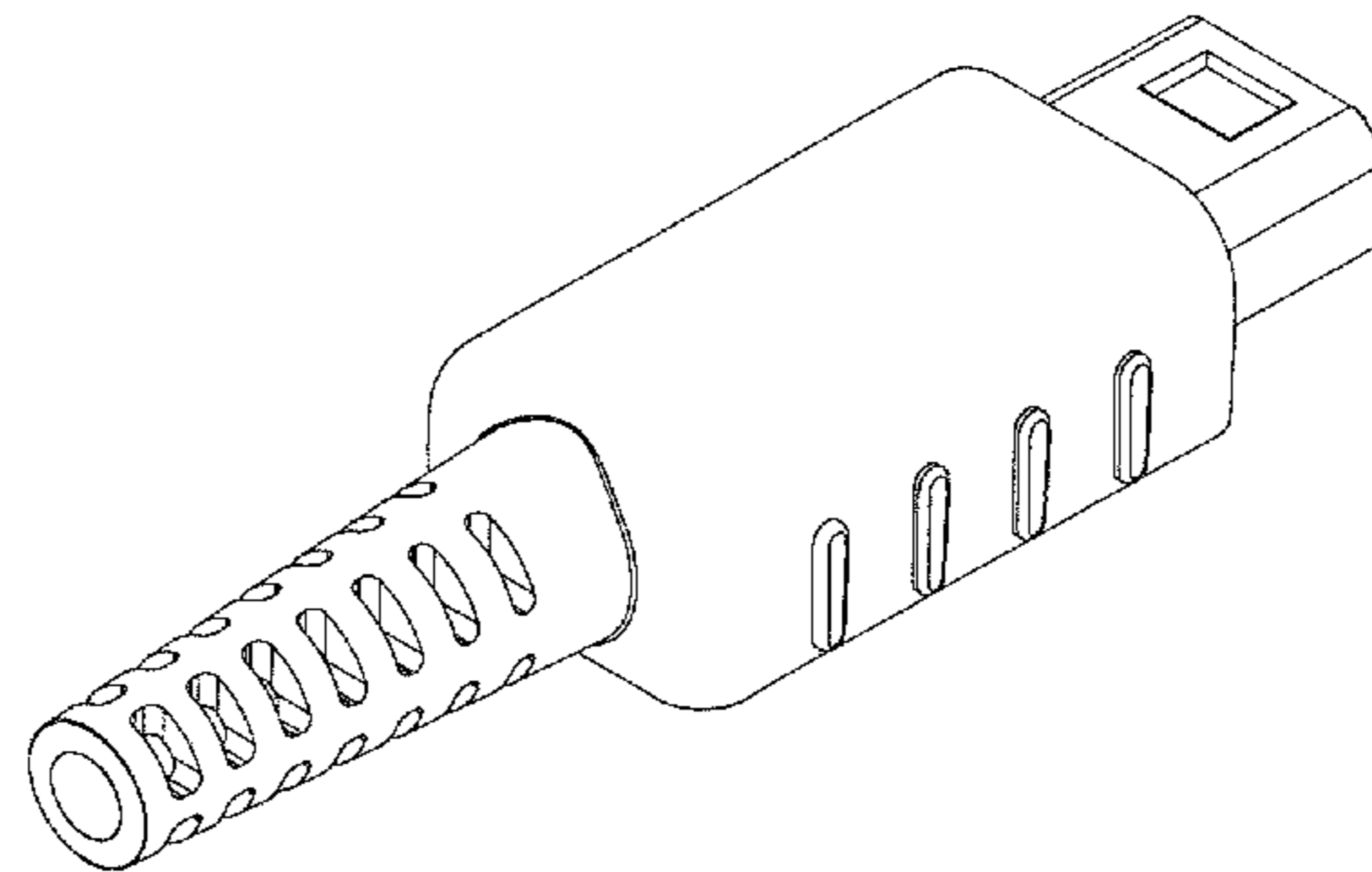
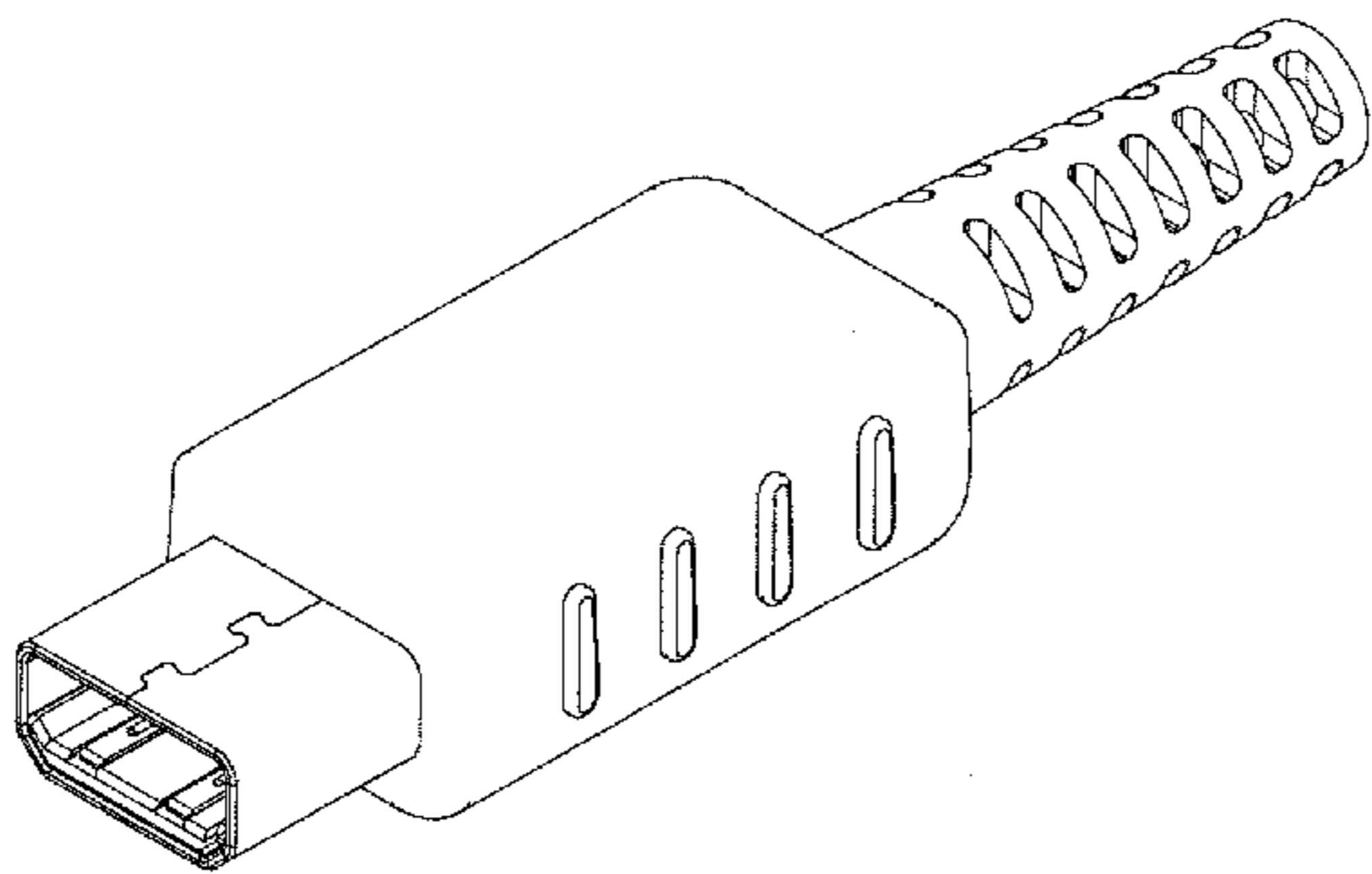
(57) **CLAIM**

The ornamental designs for a connector plug, as shown and described.

DESCRIPTION

FIG. 1 is a front, bottom and right perspective view of a connector plug of our new design;
FIG. 2 is a rear, top and right perspective view thereof;
FIG. 3 is a front view thereof;
FIG. 4 is a rear view thereof;
FIG. 5 is a top plan view thereof;
FIG. 6 is a bottom plan view thereof; and,
FIG. 7 is a left side view thereof, a right side view being a mirror image thereof.
The broken line in the figure drawing views is included for the purpose of illustrating environment and forms no part of the claimed design.

1 Claim, 2 Drawing Sheets



(56)

References Cited

U.S. PATENT DOCUMENTS

D553,567 S 10/2007 Kawanobe
D557,659 S 12/2007 Ashida et al.
D558,677 S 1/2008 Ashida et al.
D558,682 S 1/2008 Ashida et al.
D562,769 S 2/2008 Ashida et al.
D568,821 S 5/2008 Ashida et al.
D568,823 S 5/2008 Ashida et al.

D586,293 S 2/2009 Fujino
D601,502 S 10/2009 Miyatake et al.
D637,158 S * 5/2011 Hu D13/147
D644,611 S * 9/2011 Sasaki et al. D13/147
D675,572 S * 2/2013 Arai et al. D13/147
D691,093 S * 10/2013 Yu et al. D13/147

OTHER PUBLICATIONS

Design U.S. Appl. No. 29/438,838, filed Dec. 4, 2012 (pending).

* cited by examiner

FIG. 1

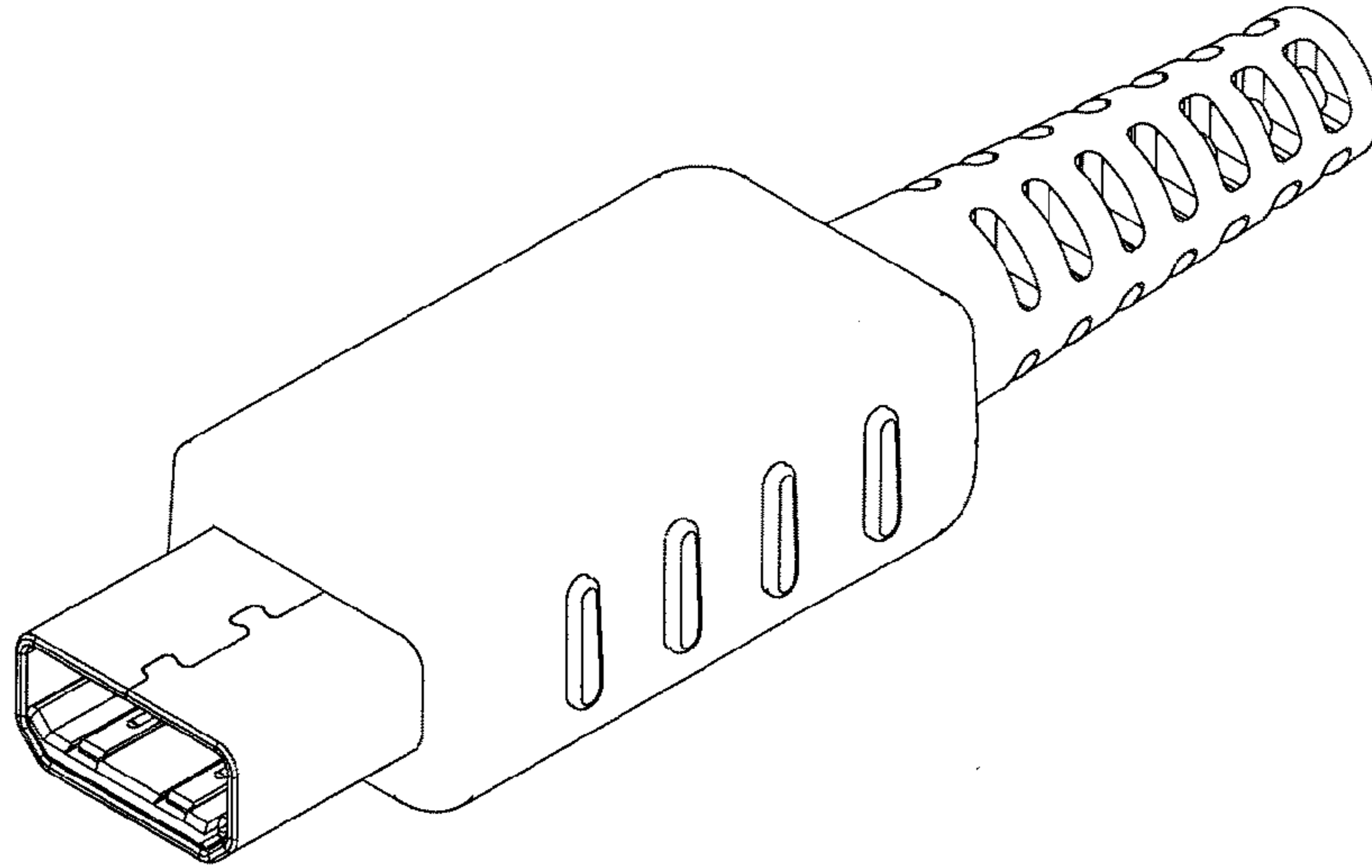


FIG. 2

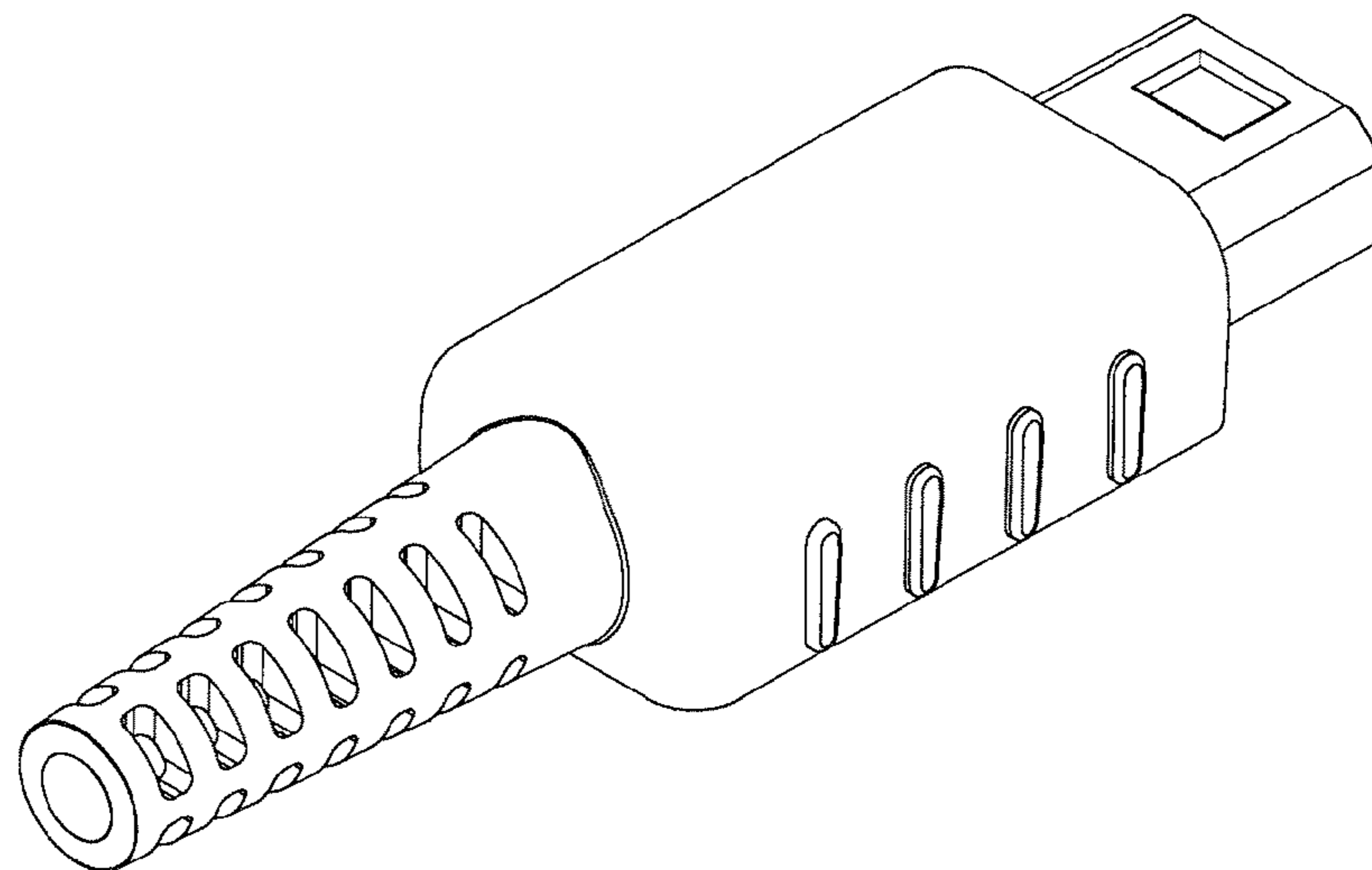


FIG. 3

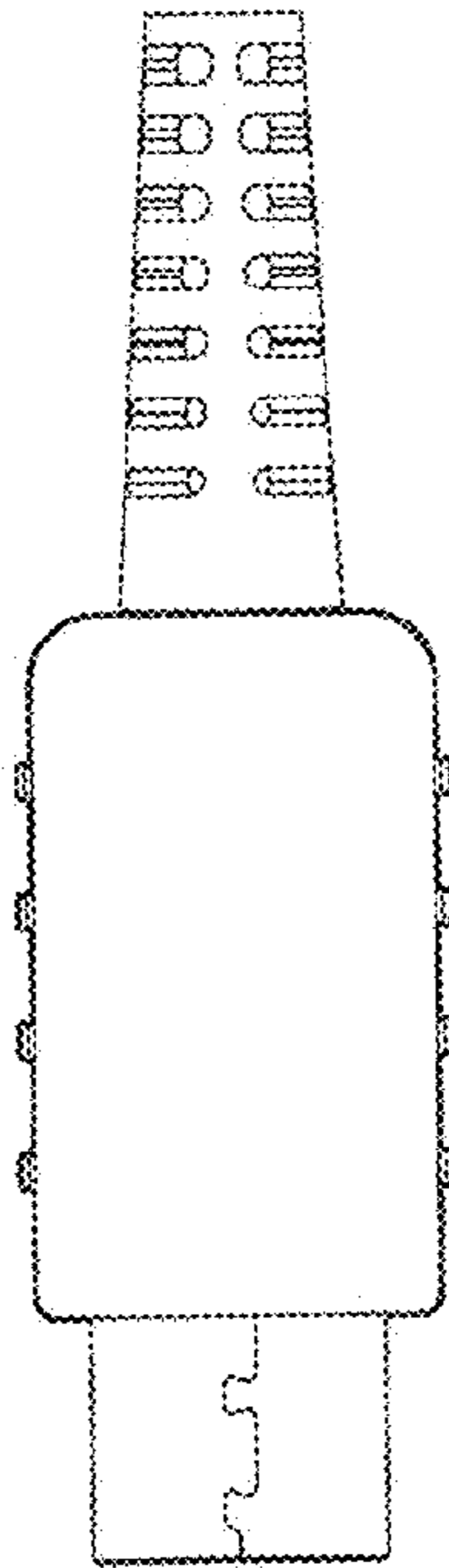


FIG. 4

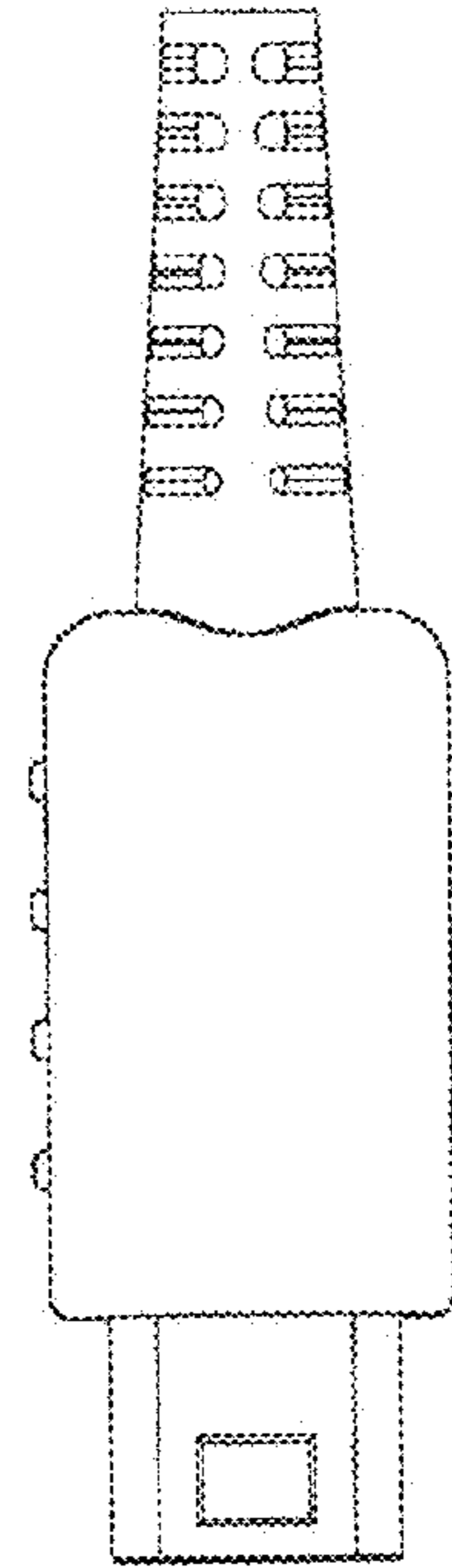


FIG. 5

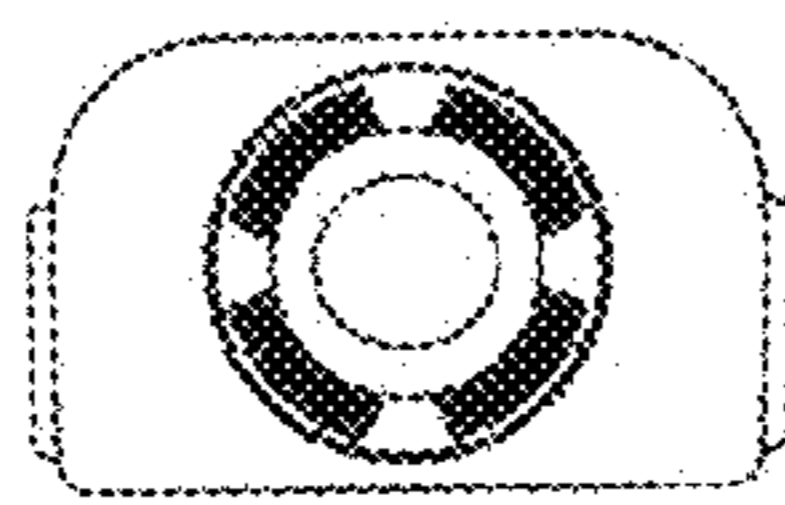


FIG. 7

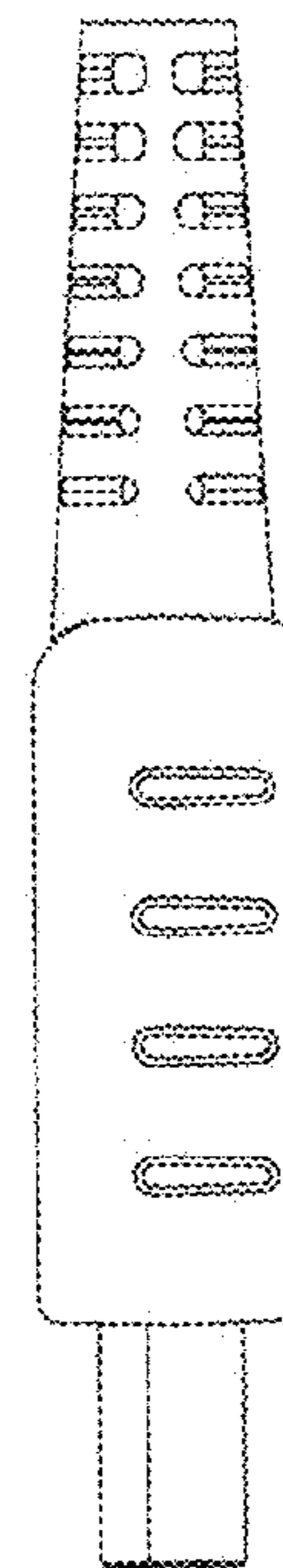


FIG. 6

